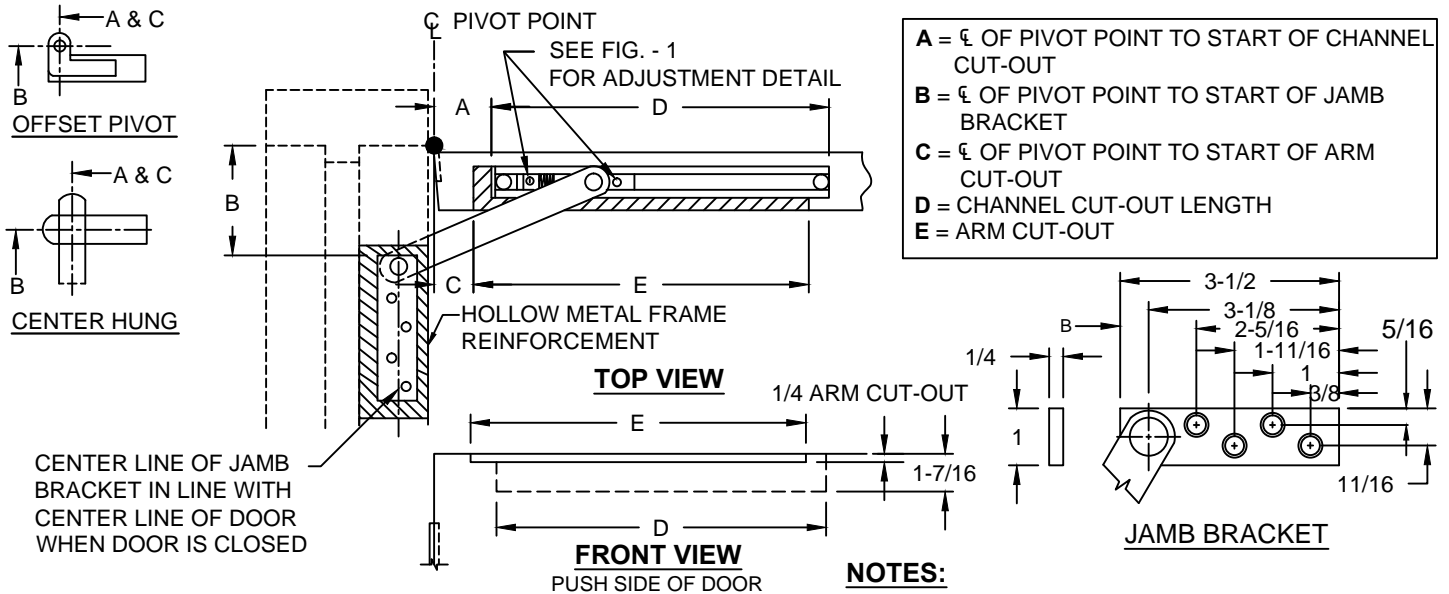


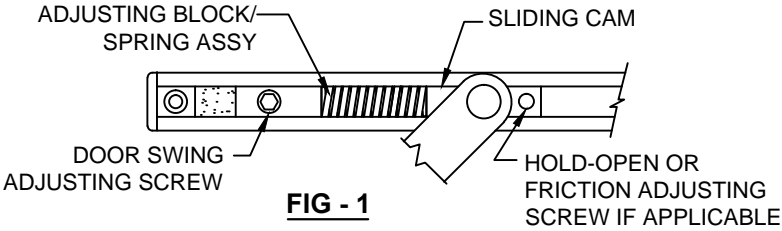
1000RA SERIES HOLD OPEN, STOPS AND FRICTION HOLDERS

CONCEALED MOUNT, ADJUSTABLE



A = ϵ OF PIVOT POINT TO START OF CHANNEL CUT-OUT
B = ϵ OF PIVOT POINT TO START OF JAMB BRACKET
C = ϵ OF PIVOT POINT TO START OF ARM CUT-OUT
D = CHANNEL CUT-OUT LENGTH
E = ARM CUT-OUT

CENTER LINE OF JAMB BRACKET IN LINE WITH CENTER LINE OF DOOR WHEN DOOR IS CLOSED



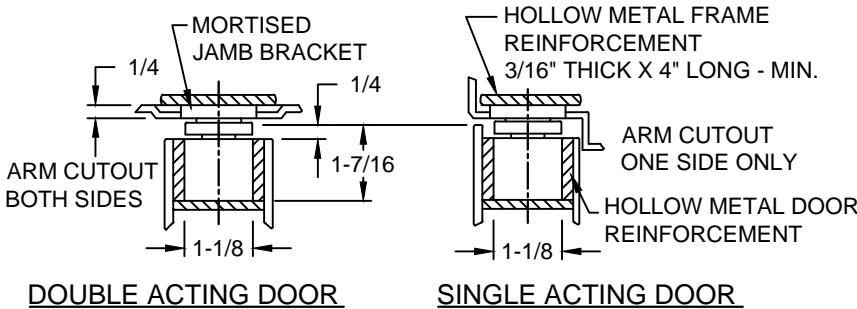
NOTES:

1. REVERSIBLE/ NON - HANDED
2. ALWAYS REQUEST LATEST TEMPLATE/ DRAWING FOR NEW INSTALLATIONS.
3. ALL DIMENSIONS ARE IN INCHES.
4. DRAWING IS NOT TO SCALE

TO CHANGE MAX. DEGREE OF DOOR SWING

- LOOSEN THE ADJUSTING SCREW. SEE FIG.-1.
- OPEN OR CLOSE DOOR TO THE REQUIRED DEGREE.
- MOVE THE ADJUSTING BLOCK/SPRING ASSEMBLY UNTIL THE SPRING HITS THE SLIDING CAM.
- TIGHTEN THE ADJUSTING SCREW.

SCREW DETAIL			
	QTY	WOOD	METAL
JAMB	4	#14 x 1-1/2" FLAT HEAD WOOD SCREW	1/4-20 x 3/4" FLAT HEAD MACHINE SCREW
DOOR	2	#18 x 2-1/2" FLAT HEAD WOOD SCREW	5/16-18 x 1-1/2" FLAT HEAD MACHINE SCREW



DOUBLE ACTING DOOR

SINGLE ACTING DOOR

DOOR THICKNESS 1-3/4" THRU 2-1/4"	MODEL NUMBER			DOOR FRAME OPENING	A	B	C	D	E
	HOLD OPEN	STOP	FRICTION						
BUTT HINGE & 3/4" OFFSET PIVOT	● 1012RA	● 1022RA	● 1032RA	24" to 32"	2-3/8"*	5-7/8"*	1-1/2"*	18-5/8"*	16"*
	● 1013RA	● 1023RA	● 1033RA	32-1/16" to 40"	5-5/16"	7-3/4"	4-3/4"	21-1/2"	19-5/8"
	● 1014RA	● 1024RA	● 1034RA	40-1/16" to 48"	7-1/8"	10"	5-1/2"	25-7/16"	23-1/2"
DOOR THICKNESS 1-3/4" THRU 2-1/4"	● 1012RA	● 1022RA	● 1032RA	24" to 32"	-	-	-	-	-
	● 1013RA	● 1023RA	● 1033RA	32-1/16" to 40"	6"	7-1/4"	6"	21-1/2"	17"
	● 1014RA	● 1024RA	● 1034RA	40-1/16" to 48"	8-3/4"	8-1/2"	8"	25-7/16"	20"

* BUTT HINGE HUNG ONLY. FOR OFFSET PIVOTS CONTACT ABH.



www.abhmfg.com
 E-mail: abhinfo@abhmfg.com
 Architectural Builders Hardware Mfg., Inc.
 1222 Ardmore Ave., Itasca, IL 60143
 630.875.9900; FAX 800.9FAXABH (932.9224)

©2019 ABH Mfg., Inc.
 printed in USA

1000RA-04.DWG

1000RA

PAGE 1 OF 1
 REVISED 05-13-19