

Marketing Bulletin

Brand/product	Falcon
Date	Jan. 4, 2021
Subject	Quarterly Price Book Update Q1 2021

Page 184:

- Corrected list adder for HH to \$29
- Corrected list adder for HH-25-V-EO and HH-F-25-V-EO to \$138
- Corrected list adder for HH devices with eight sex bolts to \$86

Page 189:

- Corrected price of 25-MELK-3 to \$747
- Corrected price of 25-MELK-4 to \$747

Page 313:

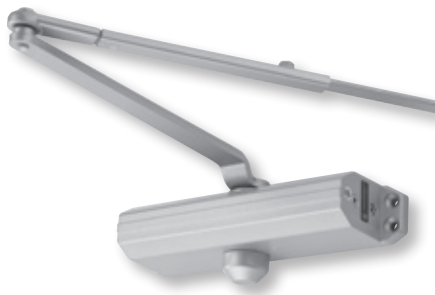
- Added part numbers for 900-4R-FA
- Added part numbers for 900-2RS-FA
- Added part numbers for 900-4RL-FA
- Added part numbers for 900-8F-FA
- Added part numbers for 900-8P-FA



FALCON

Price book 8

Effective April 4, 2020 · Rev. 01/21



This price list supersedes and cancels all previous price lists. Prices shown are subject to change without notice.

Administrative Offices

Allegion Administrative Office
11819 N. Pennsylvania St.
Carmel, IN 46032
allegion.com/us

Placing orders

You can place orders with Allegion via the fax numbers or emails listed below:

Locks, Exits (panic devices), Closers
Fax#: 1-800-452-0665
Email: Allegion_Orders@allegion.com

Electronic Products
Fax#: 1-800-452-0665
Email: Allegion_Orders@allegion.com

FastTrack
Fax#: 1-800-288-4242
Email: Order_Fasttrack@allegion.com

ProExpress
Fax#: 800-924-3551
Email: Order.Pro.Express@Allegion.com
Online: www.Allegion.com/us/proexpress

Customer Care

Our Customer Care Representatives are available for questions or assistance.

You can reach them at **877-671-7011** (Press 1 for Sales Support | Press 2 for Product Support | Press 3 for RSO) or through the email addresses listed below:

Sales Support

support@allegion.com

Technical Product Support

Mechanical Locks/Keying Systems

Mechanical_Locks_TechProdSupport@allegion.com

Exit Devices

Exits_TechProdSupport@allegion.com

Closers

Closers_TechProdSupport@allegion.com

Request for Quote

Carolinas

(North Carolina, South Carolina, Virginia)
Carolinas.Quotes@allegion.com

Central

(Arkansas, Illinois, Iowa, Kansas, Missouri, Nebraska, Oklahoma)
Central.Quotes@allegion.com

Chicago

(Illinois-Northern, Wisconsin)
Chicago.Quotes@allegion.com

Florida

Florida.Quotes@allegion.com

Great Lakes

(New York, Pennsylvania)
GreatLakes.Quotes@allegion.com

Metro New York

Metro.Quotes@allegion.com

Michigan

Michigan.Quotes@allegion.com

Mid Atlantic North

(New York, Pennsylvania)
Mid.Atlantics.north.quotes@allegion.com

Mid Atlantic South

(Delaware, Maryland, New Jersey)
Mid.Atlantics.south.quotes@allegion.com

Midwest

(Indiana, Kentucky, Ohio, West Virginia)
Midwest.Quotes@allegion.com

Mountain States

(Colorado, Idaho, Montana, Nevada, Utah, Wyoming)
Mtn.States.Quotes@allegion.com

New England

(Connecticut, Main, Massachusetts, New Hampshire, Rhode Island, Vermont)
NewEngland.Quotes@allegion.com

North Central

(Minnesota, North Dakota, South Dakota)
NorthCentral.Quotes@allegion.com

Northern California

NoCal.Quotes@allegion.com

Northwest

(Alaska, Oregon, Washington)
Northwest.Quotes@allegion.com

South

(Alabama, Georgia, Louisiana, Mississippi, Tennessee)
South.Quotes@allegion.com

Southern California

(California-Southern, Hawaii)
SoCal.Quotes@allegion.com

Southwest

(Arizona, New Mexico)
Southwest.Quotes@allegion.com

Texas

Texas.Quotes@allegion.com

Contact Information	2
General Terms	4-7

Locks

Miscellaneous Information	8
Finishes	9
Forms & Examples	14-27
Product Index	163-166

MA Series	29-42
RU Series	43-56
T Series	57-70
X Series	71-78
K Series	79-84
D100 Series	85-94
B Series	95-102
W Series	103-112
D200 Series	113-124
H2 Series	125-134
Cylinders	135-152

Auxillary Products	153-162
--------------------------	---------

Exits

Finishes	168
Factors Affecting Exit Devices	169
New Nomenclature Conversion Chart	170
How to Order	171-172
25 Series	174-183
25 Series Options/Trims/Accessories/Parts	184-194
25 Series Exploded View	196-209
24 Series	210-217
24 Series Options/Trims/Strikes/Accessories/Parts	218-227
24 Series Exploded View	228-239
19 Series	240-243
19 Series Options/Trims/Strikes/Accessories/Parts	244-250
19 Series Exploded View	252-257
20 Series	258
1490 Series	259-260
1590 Series	261-262
1490-1590 Series Exploded View	263-270
1690 Series	271-272
1690 Series Exploded View	273-275
1790 Series	276-277
1790 Series Exploded View	278-279
1990 Series	280-281
1990 Series Exploded View	282-285
2090 Series	286-287
2090 Series Exploded View	288-291
2390 Series	292
2390 Series Exploded View	294-297
Exit Accessories	298-299
Mullions/Mullion Options	298
Numerical Index	300-302

Closers

Available Finishes	303
Common Applications	304
SC Series Options	305
SC60/SC60A Series Surface Mount	306
SC70/SC70A Series Surface Mount	307
SC80/SC80A Series Surface Mount	308
SC90 Series Surface Mount	309
OHC Series Concealed	310
8200 Series Auto Operator	311
8300 Series Actuators & Accessories	312

Electronics

Power Supplies	313-314
Warranty	315

General Terms and Conditions of Sale and Service

Allegion General Terms and Conditions of Sale and Service

1. GENERAL/ACCEPTANCE. (a) This Agreement contains the only terms and conditions by which Company will quote and sell Deliverables to Customer; (b) The terms "purchase order" or "order" for the purposes of this Agreement include the term "request for quotation," as appropriate; (c) This Agreement supersedes all pre-printed or boilerplate terms and conditions set forth in any purchase order issued by Customer; (d) No reference herein to Customer's purchase order will in any way incorporate different or additional terms and conditions, all of which Company hereby expressly objects to; (e) **ANY ACCEPTANCE BY COMPANY OF CUSTOMER'S PURCHASE ORDER IS EXPRESSLY CONDITIONED ON THE CUSTOMER'S ASSENT TO AND ACCEPTANCE OF THE TERMS AND CONDITIONS CONTAINED IN THIS AGREEMENT;** (f) Company reserves the right to decline any order, in whole or in part, for any reason.

2. ORDERS.

a. **Order Processing.** When Customer wishes to place an order for Deliverables, it will deliver to Company a purchase order. All such purchase orders must (i) be in a written format acceptable to Company, (ii) be legible, (iii) include a purchase order number, (iv) include Customer's account number, invoice address, ship to address, shipping method, shipper's letter of instruction for international shipments, part number, pricing, and designated contact information, (v) include, if applicable, any special configuration ID numbers, necessary programming information, special factory instructions, and requested specifications regarding a particular finish, handling, design, backset, or strike, (vi) reference any applicable pricing discounts under an ongoing buying program or based on a written quote from Company, along with the applicable buying program number or quotation number, and (vii) not combine buying program and quoted product on the same order.

b. **Minimum Orders.** In the event the order value does not meet any required minimum net Deliverable value, Company may, at its sole discretion, (i) increase the quantity of items in the order to meet the minimum net Deliverable value requirement; (ii) apply a minimum order charge; (iii) reject the order, or (iv) waive the requirement, provided that the waiver of a requirement for one order shall not constitute a waiver of the requirement for any future orders.

c. **Acceptance of Purchase Orders.** Company will endeavor to (i) acknowledge receipt of each purchase order issued in accordance with this Agreement, and (ii) notify Customer whether Company accepts or rejects the purchase order. If Company fails to accept or reject a purchase order within a reasonable time period, such failure to respond will be deemed a rejection of the entire order. Orders that combine buying program and quoted product on the same order will be routed back to your local RSO office in order to review subject purchase order.

d. **Changes to Order/ Cancellation of Orders.** Additional terms and conditions regarding order changes and cancellations are available on the Allegion customer website, **WHICH TERMS ARE EXPRESSLY INCORPORATED HEREIN BY REFERENCE.** Unless otherwise provided herein, Customer acknowledges that (i) requesting a Change Order may cause a delay in the scheduled shipment date, a longer lead time or result in a new scheduled shipment date; (ii) Orders may not be changed after 48 hours of Company's order acknowledgment; (iii) After 48 hours of Company's order acknowledgment, all changes to an accepted purchase order will be subject to a Change Order charge of 25% of the net Deliverable value, plus the cost of labor and fabrication or raw material that Company incurred prior to the receipt of the Change Order from Customer, or that may be required due to the Change Order; (iv) the requested change may result in additional charges for labor, fabrication, and raw material, and (v) if Customer cancels an order or portion of an order that includes Deliverables that have been manufactured and prepped for shipping, a 45% restocking fee will apply. Notwithstanding the foregoing, Customer cannot change or cancel credential orders, reader orders, biometrics orders or any non-cataloged, special, custom or nonstandard items once they have been placed. All cancelled orders for a Non Recurring Expense (NRE), credential orders, reader orders, biometrics orders, and/or Custom orders will be subject to a cancellation charge of 100% of the acknowledged price.

e. **Add-ons.** Add-on orders will not be accepted. Additions to orders will be entered as separate stand-alone orders and must qualify for all terms of sale, including discounts, on an individual basis.

f. **Fast-Track Orders.** No changes or cancellations will be accepted on the 24-Hour Fast Track Program. For 3-day Fast Track orders, changes and cancellations may only be requested by Customer within 24 hours of Company's order acknowledgment if the order has not shipped. For 5-Day Fast Track orders, changes and cancellations may only be requested by Customer if the order has not shipped and if the request is made to Company within 48 hours of Company's order acknowledgment. Return Material Authorization (RMA) for Deliverables must be processed through Fast Track Customer Service.

g. **Steelcraft Orders.** For all Steelcraft orders, changes or cancellations are allowed without penalty only if made within 48 hours of Company's order acknowledgment, and provided that the order has not shipped. Some exceptions do apply – please consult the factory. Changes are not allowed on Rapid Program orders after the order has been entered and acknowledged. After 48 hours of Company's order acknowledgment, all changes or cancellations are subject to a charge of 25% of the order. Unless otherwise specified by Company in writing, any changes to orders acknowledged by Company that affect the delivery date will be deemed a new order and will require acknowledgement by Company as provided in this Section. Additional products, features, terms and conditions regarding the Rapid Program are available on the Allegion customer website, **WHICH TERMS ARE EXPRESSLY INCORPORATED HEREIN BY REFERENCE.**

3. PRICES, INVOICES AND PAYMENT.

a. **Prices.** The prices in Company's Price Book are subject to change at any time, without notice to Customer. Company may charge Customer additional amounts if Customer requests special packing, marking, shipment, product modification, or engineering services. Oral prices specified by Company are null and void. Quote numbers must be referenced on Customer's purchase order in order for the Company's quoted pricing to apply. Orders that do not reference a quote number will receive buy program pricing or book net pricing. Quoted prices are for those specific products quoted for a specified job, and are subject to the Price Book in effect at the time Company receives the order.

b. **Taxes.** Prices do not include any present or future federal, state or local property, license, privilege, sales, use, excise, gross receipts or other like taxes or assessments which may result from transactions or any services performed in connection therewith. Any taxes, charges, or duties imposed by any governmental authority on the sale of Deliverables will be paid by Customer, in addition to the selling price specified by Company. Credits for U.S. sales tax applied to invoices will only be granted if valid exemption documentation is provided within 30-days of the invoice date and a case is initiated by customer service. Exemption documentation may be emailed to sales.tax.certificates@allegion.com, this e-mail address cannot be used to request a credit for sales tax charged all such requests must be made with customer service. All certificates sent to the e-mail address must include the following information: (1) Customer account number(s); (2) Customer name; and (3) Allegion brand(s) the certificate should be applied to.

c. **Payment Terms.** Company will deliver to Customer an invoice with each shipment of Deliverables hereunder. Customer will pay all invoiced amounts within 35 days of the invoice date (subject to any early pay discounts that may be offered to Customer by Company in its sole discretion). Customer will make all payments in United States dollars. Past due invoices will be subject to a late payment service charge of 1.5% per month on any overdue unpaid balance, equivalent to 18% per annum, or the maximum rate permitted by law, whichever is less. Customer shall reimburse Company for all costs of collection, including, without limitation, reasonable attorneys' fees, for any overdue amount owed by Customer to Company, and such collection costs shall also be subject to interest charges.

4. QUOTATIONS.

a. **Project Quotations.** Project or new construction quotes are restricted to the specific project quoted for the quantities, finishes, and series of Deliverables referenced on the quote. Company reserves the right to require proof of sale of Company products for any quoted project.

b. **Stock Quotations.** Deliverables fulfilling stock quotations may only be used for the following: (i) Stocking of the Customer's shelves for small, quick-turn, discretionary projects, or (ii) Sale to a general contractor or installer for new construction. Stock quotations may not be used for any project containing any Company no-substitution, specified products. Deliverables purchased under Stock Quotations cannot be redistributed to other Customer branch locations or re-sold to other resellers or used for aftermarket sales, end-user annual contracts or sold over the counter to any walk in trade.

c. **General.** All quotes are subject to this Agreement, unless otherwise specified by Company, and are subject to change at any time prior to Company's acceptance of a purchase order referencing the applicable quote number. Company, its representatives and employees reserve the right, in their sole discretion and for any reason, to refuse a Customer's request to quote a price other than the standard list price, regardless of whether Company or its representatives or employees have previously quoted discounted prices to the Customer on some or all of its orders. Customer's failure to comply with this Section 4 will be considered a material breach of this Agreement, and will entitle Company to immediately terminate any purchase orders and/or Customer's ability to distribute Company's products.

5. SECURITY INTEREST. Customer grants Company, and Company retains, a purchase money security interest and lien on any and all of Customer's rights, title and interest in each Deliverable sold by Company to Customer, wherever located, until the invoice for the applicable Deliverable(s) is paid in full, including any late charges and costs of collection. Customer authorizes Company to, and will assist Company in, taking all necessary steps to perfect and maintain Company's interest in such Deliverables.

6. CREDIT TERMS. Unless Customer pre-pays all of its purchase orders in advance, its purchase orders will be subject to the credit limit and other terms of credit ("Credit Terms") set forth in Company's credit application, which Credit Terms Customer acknowledges are subject to change by Company at any time. Company reserves the right to request payment in advance of shipment or any order or to request adequate assurances for Customer's payment of an order and may withhold or stop shipment, without any liability to Company, until Customer submits payment or adequate assurance of payment.

7. RESALE OF DELIVERABLES. Customer agrees and warrants that it will offer Company products in support of Company-written specifications and will maintain sufficient inventory to adequately support End Users, installers, and/or general contractors' needs. Company may implement an MSRP or a resale pricing programs at any time in its sole discretion. Failure to comply with such program(s) will be considered a material breach of this Agreement, and will entitle Company to immediately terminate any purchase order and/or Customer's ability to distribute Company's products. Customer shall, at its own expense, gain and maintain sufficient knowledge of the industry and products competitive with Deliverables so as to be able to (a) explain in detail to End Users, installers, and/or general contractors the differences between the Deliverables and competing products, (b) ensure that an adequate number of trained, capable and qualified technical personnel with sufficient knowledge of the Deliverables and who have obtained all necessary licenses and permits are available to assist End Users, installers, and/or general contractors, and (c) respond to such End Users, installers, and/or general contractors with respect to the general operation and use of the Deliverables including, but not limited to, (1) acting as a liaison between the End Users, installers and/or general contractors and Company in matters requiring Company participation, (2) providing general product information and configuration support on standard protocols and features, (3) collecting relevant technical problem identification information, and (4) posting and distributing any warranty information concerning the Products in accordance with Company's instructions. Customer is responsible for all service and support resulting from the re-sale of any Deliverable to End-Users, installers and/or general contractors, examples of which may include, but are not limited to, support activities such as installation, initialization, software set-up, training, trouble-shooting, technical support and field service. In the event Customer is unwilling or unable to perform said support activities, Company reserves the right to recover from Customer any and all expenses incurred by Company to resolve the afore-mentioned End-User, installer and/or general contractor issues. Technical product training is recommended for Customer in order to fully service and support Deliverables purchased from Company that are resold to End-Users, installers and/or general contractors.

8. DEFAULT. If Customer is in default of payment or otherwise with respect to any purchase order or other contract with Company, Company shall have the right, in addition to all other legal remedies and without prejudice to any of its right hereunder, to defer further shipments under that or any other purchase order until such default is corrected and to declare all outstanding bills of Customer to be immediately due and payable.

9. INSPECTION AND DELIVERY.

a. **Inspection.** Customer will inspect all Deliverables immediately after receiving them. Customer will be deemed to have accepted the Deliverables unless Customer notifies Company in writing of any nonconformance within 10 days of delivery and provides Company written evidence reasonably documenting that nonconformance. Inspection of Deliverables at Company's facility is not permitted.

b. **Delivery.** Delivery schedules for Deliverables are based upon current production capacities, material or component availability, and inventory, and may be changed by Company as conditions require. Delivery schedules for services are based upon Company's prompt receipt of, and prompt access to, Customer's equipment and all information necessary to complete the services. In no event will any delivery date be construed as falling within the meaning of "time is of the essence." Partial delivery shall be accepted by Customer and paid for at the price and on the terms stated herein. Any partial delivery shall constitute a separate sale, and payment shall be separately made when due. If any part of a delivery hereunder is not delivered by Company in accordance with Customer's purchase order, this Agreement shall not be affected thereby.

General Terms and Conditions of Sale and Service

10. TITLE & RISK OF LOSS. Unless otherwise specified by Company, (i) where the Customer is located in the United States, all Deliverables will be sold "Uniform Commercial Code, FOB Origin, Company's factory"; and (ii) where the Customer is located outside of the United States, all Products will be sold "Ex-works, Company's factory (Incoterms 2010)." In either instance, title and risk of loss will pass to Customer upon delivery to the carrier at Company's factory, provided, however, as set forth herein, Company shall retain a security interest in the Deliverables until full payment has been made therefore, and Customer agrees, upon request, to do all things and acts necessary to protect Company's interest by adequately insuring the Deliverables against loss or damage from any cause and to have Company named as an additional insured. Customer will promptly provide Company with a copy of the relevant certificate of insurance upon Company's request.

11. SHIPPING.

a. **Freight Charges.** Company will ship all Deliverables in accordance with Company's freight shipment guidelines, which are set forth on the My Allegion Portal ("Freight Shipping Guidelines"), **WHICH TERMS ARE EXPRESSLY INCORPORATED HEREIN.**

b. **Rush Charges.** Expedited order options are available as set forth in Company's Freight Shipping Guidelines.

c. **Packing and Marking.** Company will pack, mark, and ship Deliverables according to its standard procedures for shipment, unless the parties agree, in writing, that Company will comply with any special instructions provided by Customer. Special instructions may result in an increased price.

d. **International Shipments.** For all international orders, a Shipper's letter of instruction must be submitted in writing with the order. Failure to do so will result in the order being rejected. Complete adherence to this order requirement will be strictly enforced. Company will not be held liable for any charges resulting from delays due to lack of complete required information being supplied.

e. Once received by the Company, a purchase order cannot be combined with any other order to increase average order size as it relates to Company's Freight Shipping Guidelines. However, for orders placed under Company's FastTrack 24 Hour/5 Day Program (available for Schlage, Von Duprin, LCN and Glynn-Johnson products); ii) FastTrack 24 Hour/3 Day Program (available for Ives products); or ProExpress (available for specific product lines stated in the ProExpress price book for Falcon, Ives, Glynn Johnson, LCN, Schlage and Von Duprin products), the applicable brands or product categories may, subject to certain order requirements identified by Company, be combined on a single order to increase average order size used in Company's Freight Shipping Guidelines.

12. CLAIMS. All claims must be submitted in writing to Company as follows: (i) All claims for prices must be submitted within thirty (30) days from the date of invoice; (ii) All claims regarding Deliverable quantity or incorrect orders must be submitted within ten (10) days from the date of delivery; (iii) All claims for damage to Deliverables (while in the care, custody, and control of Company) must be submitted within thirty (30) days from the date of invoice; (iv) All claims for loss or damage to Deliverables while in the care, custody, and/or control of a carrier will be the responsibility of Customer, unless otherwise agreed by the parties.

13. PRODUCT CHANGES. Company's product policy is one of ongoing update and revision, and accordingly, Company reserves the right to change, without notice, the design of, or the process of manufacturing, the Deliverables covered by this Agreement.

14. PRODUCT USAGE LIMITATION. Customer agrees: (i) not to sell or use a Deliverable in any manner contrary to the manner in which the Deliverable is intended to be used; and/or (ii) not to modify the design of any Deliverable for use with another product without the prior written consent of Company.

15. PRODUCT RETURNS. Unless otherwise agreed by the parties in writing, Deliverables that are correctly furnished by Company per the purchase order may not be returned unless Customer receives written authorization from Company. If returns are authorized by Company, a return merchandise authorization ("RMA" number must be provided by Company. Deliverables identified under such RMA must be returned to Company within 90 days of issuance of the RMA. Such RMA number and any accompanying RMA documents, the original invoice number, and a written explanation for the return must be included with the returned Deliverables in order for Company to inspect and approve a credit for the return. **For warranty returns,** a credit in the amount of the original purchase price will only be issued if, after Company's receipt and inspection of the returned Deliverables, Company confirms, in its sole discretion, the defect is valid and approves the return. **For non-warranty returns/convenience returns,** in the event Company approves such a return, in its sole discretion, the following shall apply: (a) the total amount of Deliverables requested to be returned shall be a minimum of \$250.00; (b) a credit will be made to Customer's account in the amount of the original purchase price less freight and a handling charge of 45% of the net material on the original invoice; and (c) only Deliverables that are new, current, standard, non-obsolete, non-specially manufactured, unused, in their original condition as at the time of sale by Company to Customer, in their original packaging and in Customer's inventory less than 180 days from the date of shipment by the Company, and not ordered as part of a master key solution may be considered by Company for return. Such credit will only be issued if, after Company's receipt and inspection of Deliverables, Company approves the return. The amount of final credit will be determined upon receipt at the factory and following Company's inspection and analysis of the condition of the returned material. Company retains the right to deny credit to anyone for any reason.

16. CONFIDENTIAL INFORMATION.

a. **Non-Use And Non-Disclosure.** Customer shall not use the Confidential Information of the Company except for the purpose of performing its obligations under this Agreement or exercising the rights granted herein (the "Purpose"). Customer shall protect Confidential Information of the Company from disclosure and unauthorized use in the same manner that it protects its own Confidential Information, but in no event shall such standard of care be less than reasonable care. Customer may disclose Confidential Information of the Company only to its employees who require such information for the Purpose and who are subject to confidentiality obligations at least as protective as those set forth herein.

b. **Proprietary Information and Advice.** (a) All designs, data, and specifications provided by Company are proprietary and may not be disclosed or reused by Customer without the prior written consent of Company; (b) Company assumes no obligation or liability for any advice given by Company, the results obtained, or damages incurred as a result of such advice, and all such advice is given and accepted at Customer's risk.

c. **Return.** Upon the termination or expiration of a purchase order or this Agreement or upon the request of the Company, the Customer agrees to end all further use of, to immediately return to the Company the original version of, and to delete or destroy all copies of, any and all Confidential Information of the Company.

17. TRADEMARKS. Except as agreed to by Company in writing, Customer agrees not to (a) use Company's name in any form of publicity; or (b) use, create, register or market, directly or indirectly, in whole or in part, Company's names, logos, brands, or any other trademarks, or names that are now or may hereafter be owned by Company, as part of Customer's corporate or business name, as part of an internet domain name, uniform resource locator (URL), or in any way connected with Customer's business, trade address or other designations. Upon termination of this Agreement or upon the request of company for any reason, any use of Company's trademarks or names will be immediately discontinued.

18. LIMITED WARRANTY.

COMPANY MAKES NO OTHER WARRANTIES EXCEPT THOSE STATED IN COMPANY'S LIMITED WARRANTY IN EFFECT ON THE DATE COMPANY ACCEPTS EACH APPLICABLE PURCHASE ORDER ("LIMITED WARRANTY"). THE LIMITED WARRANTY MAY BE FOUND IN THE APPLICABLE PRICE BOOK AND ON THE ALLEGION CUSTOMER WEBSITE, WHICH TERMS ARE EXPRESSLY INCORPORATED HEREIN BY REFERENCE. COMPANY WILL MAIL CUSTOMER A HARD COPY OF THIS WARRANTY UPON CUSTOMER'S WRITTEN REQUEST. IN THE EVENT THAT CERTAIN DELIVERABLE WARRANTIES ARE NOT FURNISHED BY THE COMPANY TO CUSTOMER, COMPANY WARRANTS ONLY TO CUSTOMER THAT THE DELIVERABLES WILL BE FREE FROM DEFECTS IN MATERIAL AND WORKMANSHIP FOR A PERIOD OF 12 MONTHS FROM THE DATE OF SHIPMENT OF THE DELIVERABLES. COMPANY'S SOLE OBLIGATION UNDER THIS WARRANTY IS LIMITED TO REPAIRING OR REPLACING, AT COMPANY'S OPTION, THE DEFECTIVE DELIVERABLE, PROVIDED WRITTEN NOTICE OF THE DEFECT OR NONCONFORMANCE IS PROVIDED BY CUSTOMER WITHIN 30 DAYS OF DISCOVERY OF THE DEFECT OR NONCONFORMANCE. COMPANY DISCLAIMS ALL OTHER WARRANTIES, EXPRESS OR IMPLIED, WITH RESPECT TO THE DELIVERABLES, INCLUDING BUT NOT LIMITED TO, ANY IMPLIED WARRANTIES OF NON-INFRINGEMENT, MERCHANTABILITY, OR FITNESS FOR A PARTICULAR PURPOSE.

a. **Exclusions.** The provisions of this Limited Warranty do not apply to Deliverables that: (A) are not the proper size for the application; (B) are not installed in accordance with Company's published installation instructions; (C) are installed with improper or incorrect parts and/or are used for purposes for which they are not designed or intended; (D) have been repaired or altered without the Company's prior written consent; (E) have been subjected to misuse, abuse, negligence or accident; (F) have been improperly stored, installed, maintained or operated; (G) have been used in violation of written instructions provided by Company to Customer; (H) have been subjected to improper temperature, humidity, or other environmental conditions, or (I) have been affected by normal wear and tear. In addition, the provisions of this Limited Warranty do not apply to any defects or issues with the design or performance of equipment or products not manufactured by Company, nor does it apply to any code compliance or permit requirements for the assembly, installation, erection or construction of any goods. Company is not responsible for loss or damage resulting from use of Deliverables in conjunction with parts or systems not manufactured by Company. Accessories or products furnished by the Company, but manufactured by others, shall carry whatever warranty the manufacturers have conveyed to the Company and which can be passed to Customer.

b. **Services.** Company warrants that its services will be free from defects in material and workmanship for a period of 12 months from the date of completion of the particular items of service. Company's sole obligation under this service warranty is limited to repair or reperformance, at its option of the service, provided however, if repair or reperformance is either impractical or impossible, the Company will refund to Customer that portion of the price paid to Company for any defective service, provided written notice of the defect or nonconformance is provided by Customer within 30 days of discovery of the nonconformance.

c. **Notification.** Customer agrees to immediately notify Company in writing if any claim is made against Customer for any damages caused by any modules, parts, products, service or other Deliverables which may be the direct result of any defect in the manufacture of such aforementioned products. Customer agrees to cooperate with Company and its counsel in the defense of such claim and Customer agrees not to settle such claim without Company's written consent. If Customer fails to notify Company of such claim or fails to cooperate in such defense as aforesaid, then Company shall be discharged from any obligations under this Section and shall have no further liability to Customer.

d. **Exceptions.** The following costs and expenses are not covered by the provisions of these limited warranties: (i) labor costs for the removal and reinstallation of Deliverables or other manufacturer's products; (ii) shipping and freight expenses required to return Deliverables to Company; (iii) normal maintenance; and (iv) economic losses. In addition, the provisions of this warranty are not applicable to anything other than defects in Company's material (products only) or workmanship.

19. LIMITATION OF REMEDIES.

CUSTOMER'S EXCLUSIVE AND SOLE REMEDY ON ACCOUNT OF, OR IN RESPECT OF, THE FURNISHING OF NON-CONFORMING DELIVERABLES, SHALL BE TO (A) SECURE REPAIR OR REPLACEMENT OF THE PRODUCTS; OR (B) SECURE REPAIR OR RE-PERFORMANCE OF THE SERVICES OR TO OBTAIN A REFUND OF THE PRICE PAID FOR THE DEFECTIVE SERVICE, ALL AT COMPANY'S OPTION. IN NO EVENT WILL THE COMPANY'S MAXIMUM LIABILITY EXCEED THE SELLING PRICE FOR THE DELIVERABLE. THE WARRANTY, OBLIGATIONS AND LIABILITIES OF COMPANY (INCLUDING ITS SUPPLIERS) AND THE RIGHTS AND REMEDIES OF CUSTOMER ARE EXCLUSIVE AND ARE IN LIEU OF AND CUSTOMER HEREBY WAIVES AND RELEASES ALL OTHER WARRANTIES, OBLIGATIONS, REPRESENTATIONS OR LIABILITIES EXPRESS OR IMPLIED ARISING BY LAW, IN CONTRACT, TORT (INCLUDING NEGLIGENCE OR STRICT LIABILITY) OR OTHERWISE, INCLUDING BUT NOT LIMITED TO (I) ANY IMPLIED WARRANTY OF MERCHANTABILITY OR FITNESS FOR A PARTICULAR PURPOSE OR ANY WARRANTY IMPLIED THROUGH COURSE OF PERFORMANCE, COURSE OF DEALING, OR USAGE OF TRADE OR (II) CLAIMS ARISING OUT OF THE NEGLIGENCE OF COMPANY OR COMPANY'S SUPPLIERS OR (III) ANY OTHER CLAIM ARISING OUT OF, CONNECTED WITH, OR RESULTING FROM THE PERFORMANCE OF COMPANY OR FROM THE DESIGN, MANUFACTURE, SALE, REPAIR, LEASE OR USE OF THE DELIVERABLE, OR ANY COMPONENT THEREOF, DELIVERED OR RENDERED HEREUNDER OR OTHERWISE.

20. INDEMNIFICATION AND LIMITATION OF LIABILITY. a. Customer shall indemnify, defend and hold Company, and its officers, directors, employees, customers, Affiliates, suppliers, users and agents, (collectively the "Indemnitees") harmless from and against any and all damages, claims, losses, expenses, costs, obligations, liabilities, including without limiting the generality of the foregoing, liabilities for court costs and attorneys' fees, suffered directly or indirectly by an Indemnitee by reason of, or arising out of any injury, death or loss to any person, or injury to any property (collectively, "Damages"), received or sustained by any person(s) or property, arising out of, occasioned by, attributable or related to i) any breach of any representation or warranty made by Customer, its officers, directors, employees, affiliates, users, agents, representatives or customers to Company or any third party, (ii) any failure by

General Terms and Conditions of Sale and Service

Customer to perform or fulfill any of its covenants, acts and/or omissions to Company or to any third party, or (iii) any litigation, proceeding or claim by any third party relating in any way to the obligations of Customer and/or the Deliverables sold by Company to Customer hereunder. Customer shall not consummate any settlement of any indemnified claim without the Indemnitees' prior written consent. Customer's obligation to indemnify Indemnitees will continue in full force and effect notwithstanding the termination or expiration of any order under this Agreement. In any claim against an Indemnitee by an employee of Customer or any subcontractor or anyone directly or indirectly employed by any of them or anyone for whose acts they may be liable, the indemnification obligations set forth in this Section shall not be limited in any way by or for Customer or any subcontractor under any applicable worker's compensation act, disability or other employee benefit act, or insurance coverage. This provision shall survive termination of any order or Agreement. **IN NO EVENT WILL COMPANY, ITS OFFICERS, DIRECTORS, EMPLOYEES, CUSTOMERS, AFFILIATES, USERS AND AGENTS, (NOR COMPANY'S SUPPLIERS) BE LIABLE FOR ANY INCIDENTAL, CONSEQUENTIAL, INDIRECT, SPECIAL, OR PUNITIVE DAMAGES OF ANY KIND OR NATURE UNDER ANY CIRCUMSTANCES INCLUDING, BUT NOT LIMITED TO, LOSS OF USE OF THE PRODUCTS, SERVICE INTERRUPTION, LOSS OF PROFITS, LOSS OF REVENUE, LOSS OF INTEREST, LOST GOODWILL, LOSS OF DATA, WORK STOPPAGE, IMPAIRMENT OF OTHER GOODS, LOSS BY REASON OF SHUTDOWN OR NON-OPERATION, INCREASED EXPENSES OF OPERATION, OR CLAIMS OF CUSTOMER'S CUSTOMERS, OR ANY OTHER LOSSES OR DAMAGES ARISING OUT OF ANY LACK OR LOSS OF USE OF THE DELIVERABLES WHETHER BASED ON CONTRACT, WARRANTY, TORT (INCLUDING, BUT NOT LIMITED TO, STRICT LIABILITY OR NEGLIGENCE), PATENT INFRINGEMENT, OR OTHERWISE, EVEN IF ADVISED OF THE POSSIBILITY OF SUCH DAMAGES.**

b) **INTELLECTUAL PROPERTY INDEMNITY.** Company makes no representation or warranty to the Customer that the Deliverables shall not infringe any intellectual property rights including, without limitations, claims arising from patent, copyright, trademark, trade secret, or other intellectual property infringement. Customer agrees to hold Company harmless from and defend the Company against any such claim of intellectual property infringement, including any Damages resulting from that claim, the cost of complying with any preliminary or permanent injunction, and all other costs of defense (including the attorneys' fees and costs), in connection with the foregoing.

c) To the extent that applicable law does not permit any limitations set out in this Agreement, such limitation shall not be applied or invoked. Nothing in this Agreement will be interpreted to disclaim liability of Company or the Indemnitees for gross negligence or willful misconduct. The limitations of remedy and liability herein shall not be interpreted to affect Company's obligations, if any, for claims for (i) property damage, (ii) personal injury, or (iii) wrongful death asserted by persons who are not parties to or beneficiaries of this Agreement. Further, the limitations of remedy and liability herein shall not be interpreted to limit Company's or Customer's right, if permitted by applicable law, to assert a claim for contribution among joint tortfeasors in connection with a claim by a person who is not a party to this Agreement.

21. CERTIFICATIONS. Certification of Deliverables for compliance with UL and ANSI standards are tested and performed by third-party independent laboratories. Any field modification or alteration of certified Deliverables will void certification and Company is not liable to Customer to certify any modified or altered Deliverable.

22. TERM FOR CLAIMS. NO ACTION ARISING OUT OF ANY CLAIMED BREACH OF THIS AGREEMENT BY COMPANY MAY BE BROUGHT BY CUSTOMER MORE THAN ONE (1) YEAR AFTER THE CAUSE OF ACTION HAS ARISEN.

23. CONSUMER PRODUCTS

WITH RESPECT TO "CONSUMER PRODUCTS" AS DEFINED UNDER THE MAGNUSON-MOSS WARRANTY ACT ("MMWA"), THE FOLLOWING STATEMENTS ARE MADE. (A) SOME STATES OR LOCAL LAWS DO NOT ALLOW LIMITATIONS ON HOW LONG AN IMPLIED WARRANTY LASTS, SO THE ABOVE LIMITATION MAY NOT APPLY TO YOU; (B) IF ANY IMPLIED WARRANTY IS PROVIDED UNDER THE MMWA, IT IS LIMITED TO THE DURATION OF THE WARRANTY PROVIDED IN SECTION 18 ABOVE. (C) SOME STATES OR LOCAL LAWS DO NOT ALLOW THE EXCLUSION OR LIMITATION OF INCIDENTAL OR CONSEQUENTIAL DAMAGES, SO THE ABOVE LIMITATION OR EXCLUSION MAY NOT APPLY TO YOU; AND (D) THIS WARRANTY GIVES YOU SPECIFIC LEGAL RIGHTS AND YOU MAY ALSO HAVE OTHER RIGHTS WHICH VARY FROM STATE TO STATE OR LOCATION TO LOCATION.

24. FORCE MAJEURE/EXCUSABLE DELAY. Any delay or failure of Company to perform its obligations hereunder will be excused to the extent that it is caused by an event or occurrence beyond Company's control such as, by way of example and not by way of limitation, acts of God, acts by any governmental authority (whether valid or invalid), governmental laws and regulations not presently in effect, fires, floods, windstorms, explosions, riots, natural disasters, wars, sabotage, accidents, labor problems (including, without limitation, lockouts, strikes, and slowdowns) at Company's facility, its source plant or their suppliers, inability to obtain power, material, labor equipment, or transportation, or court injunction or order. The delivery date will be extended for a time equal to that of the delay and the schedule for Company's performance will be deemed adjusted to that effect.

25. ENTIRE AGREEMENT AND AMENDMENT. This Agreement, together with the attachments, exhibits, webpages, or supplements specifically referenced and incorporated herein, constitute the entire agreement between Company and Customer with respect to the matters contained herein and supersede all previous communications, representations, or agreements, either oral or written between Company and Customer. No agreement or understanding varying or expanding this Agreement will be binding upon either party unless it is in writing and signed by a duly authorized representative of each party hereto.

26. CONFLICTS. In the event of any conflict or inconsistency between the terms of any agreement, or any part of an agreement or the various documents (including, but not limited to, electronic documents) between Company and Customer, unless the parties agree otherwise in writing, the various components of the agreements shall be given the following precedence (in descending order of precedence): a) any master agreement or long term agreement between Company and Customer; b) any specific terms, conditions and/or warranties of the individual products or Deliverables; c) the terms and conditions of this Agreement, and d) any purchase order.

27. UNSATISFACTORY CREDIT/TERMINATION FOR INSOLVENCY OR DEFAULT.

Customer shall furnish Company with statements evidencing Customer's financial condition as Company may, from time to time, reasonably request, and shall notify Company immediately of any and all events that may have a material adverse effect on Customer's business or financial

condition. If Company determines, in its sole discretion, that Customer's financial condition or creditworthiness is inadequate or unsatisfactory, then in addition to Company's other rights, Company may without liability or penalty, take any of the following actions: (i) modify the payment terms for any outstanding and/or future purchases; (ii) cancel any previously accepted orders; (iii) delay any further shipment of Deliverables to Customer; or (iv) any combination of the above.

Company may immediately terminate an order from Customer by giving written notice to Customer in the event of the happening of any of the following or any other comparable event: (i) insolvency of the Customer; (ii) filing of a petition in bankruptcy by or against the Customer; (iii) appointment of a receiver or trustee for the Customer; (iv) execution of an assignment for the benefit of creditors by the Customer, all of which will allow Company to demand reclamation of all affected orders; (v) Customer ceases or threatens to cease to trade; (vi) Company determines that Customer does not meet or no longer meets the credit requirements of Company or Customer's credit account is closed; (vii) any Customer violation of law, specifically including, without limitation, those laws set forth in this Agreement.

In the event of termination in accordance with this section, Company will not be obligated to accept any existing or additional orders from Customer and Company will be released from its obligation to deliver under orders accepted prior to such termination. The rejection or termination of any order by Company will not entitle Customer to any termination or severance compensation, or to any payment in respect to any goodwill established by Customer, or render Company liable for damages on account of the loss of prospective profits, or on account of any loss, expenditure, investment or obligation incurred or made by Customer.

No action taken under this Section 27 by Company (nor any failure of Company to act under this Section 27) will constitute a waiver by Company of any of its rights to enforce Customer's obligations, including the obligation of Customer to make payments as required under this Agreement. Upon termination of any order, all amounts owed by Customer to Company will become immediately due and payable, whether or not otherwise then due or payable.

28. CREDIT RISK ON RESALE OF DELIVERABLES. Customer is responsible for all credit risks with respect to, and for collecting payment for, all Deliverables sold to third parties (including End Users, installers, and/or general contractors) whether or not Customer has made full payment to Company for such Deliverables. The inability of Customer to collect payment for any Deliverable shall not affect Customer's obligation to pay Company for any Deliverable.

29. GOVERNING LAW; VENUE; AND EXPENSES. Any dispute or claim relating to this Agreement shall be governed by and construed according to the laws of the State of Indiana (excluding its conflict of laws principles); and not by the provisions of the 1980 United Nations Convention on the International Sale of Goods. Any disputes or claims shall be instituted and maintained in the courts of the State of Indiana. Customer consents to the exercise of jurisdiction over it by such courts and agrees that Indiana is not an inconvenient forum for any action arising from or relating to this Agreement. Customer agrees to pay for all expenses (including, but not limited to, collection costs, court costs and attorneys' fees) incurred by Company in enforcing the obligations of Customer under this Agreement.

30. RELATIONSHIP OF THE PARTIES. Nothing in this Agreement or any other document creates an employment, partnership, joint venture, or agency relationship between Company and Customer, including that of franchisee/franchisor. No party will have any power or authority to enter into any commitment on behalf of or otherwise bind the other party on any matter. No employee of Customer will be deemed to be an employee of Company. If any provision of this Agreement is deemed to create a franchise relationship or business opportunity between the Parties, then Company may terminate any purchase order or this Agreement or the Parties shall negotiate in good faith to modify this Agreement so as to effect the original intent of the Parties as closely as possible in a mutually acceptable manner in order that the transactions contemplated hereby are consummated as a reseller agreement and not a franchise or business opportunity agreement.

31. SETOFF. Customer does not have the right to setoff or to back charge against any amounts which become payable to Company under this Agreement or otherwise. Company will not accept responsibility for backcharges for the cost of material or labor by Customer or any third party.

32. ELECTRONIC COMMUNICATIONS AND ELECTRONIC SIGNATURES. Both parties expressly agree to electronic transactions and acknowledge that documents they sign electronically will bind them to the same extent as a paper signature. Customer represents and warrants to Company that only employees authorized to bind Customer legally shall electronically sign any document under this Agreement. Customer shall comply with any method of electronic communication/payment processing specified by Company, including electronic funds transfer, pay-on-receipt processes/systems, order transmission, releases, electronic signature, and electronic communication systems, including, without limitation, the use of electronic data interchange ("EDI") portals. Notwithstanding the foregoing, e-mails, even those containing a signature block of one of Company's representatives, shall not constitute a signed writing.

33. COMPLIANCE WITH APPLICABLE LAWS.

a. **General.** Company and Customer will comply with all applicable federal, state and municipal laws, regulations, codes, ordinances and orders that pertain to the Deliverables, including but not limited to full compliance with any applicable provisions of The Health Insurance Portability and Accountability Act. Where the Customer is located outside the United States, or where the customer intends to ship the product outside the United States, the Customer shall be responsible for compliance with all U.S. export laws, and for filing all U.S. Electronic Export Information, as applicable.

b. The Customer acknowledges and agrees that: (i) it shall not violate applicable laws and regulations in performing its duties under this Agreement; (ii) it does not and shall not engage in any conduct that shall violate any applicable anti-bribery or anti-corruption laws or regulations; (iii) it (and its owners, officers, directors, employees and agents) shall not pay, offer, promise or authorize the payment of, either directly or indirectly, anything of value (including but not limited to cash, gifts and entertainment) to (a) any government official or employee of any government; (b) any official or employee of any department, agency, or instrumentality of a government; (c) any employee of any corporation or entity owned or controlled by a government; (d) any family member of such officials or employees; (e) any political party, party official, or political candidate; or (f) any other persons, owners, officers, directors, employees and agents of any corporation or entity; to improperly or illegally assist in obtaining or retaining business (including but not limited to any contracts, avoidance of duties or reduction of tariffs, reduction of taxes or

General Terms and Conditions of Sale and Service

to obtain money owed, or to obtain regulatory approval) or for the purpose of causing, soliciting or inducing the sale and purchase of the Deliverables by any party, and (iv) it has full knowledge of and will comply with the Company's Code of Conduct for Business Partners as set forth on the Allegion customer website, **WHICH IS HEREBY INCORPORATED BY REFERENCE.**

c. The Customer shall indemnify and hold the Company harmless from any claim, demand, expense or cost arising from any breach of this Article.

d. The Customer shall permit the Company to conduct an audit or review of the Customer's financial books and records and business operations at such other times that the Company considers it necessary to confirm compliance with this provision. Such audit may be conducted by representatives of the Company or, at the Company's sole discretion, by a certified public accounting firm selected by the Company. The Customer shall cooperate with any inquiries from the Company's Ethics & Compliance Group.

e. A violation of this provision constitutes a material breach of this Agreement and the Company may terminate any purchase order or this Agreement immediately, with no opportunity to cure, in accordance with Section 27 of this Agreement.

f. Notwithstanding the foregoing provisions of this Section 33, (i) Company is not responsible for obtaining or maintaining any permits for the performance of services or the verification or compliance with any code requirements relative to the performance of services, (ii) to the extent any sale of Deliverables pursuant to this Agreement may require approval of the U.S. Government, Company's obligations under this Agreement are conditioned upon the grant of such approval and upon compliance by Customer with any restrictions imposed by the U.S. Government in connection with such approval, and (iii) in the event the Deliverables are to be used in a nuclear facility, the Customer shall, prior to such use, arrange for insurance or governmental indemnity protecting Company against liability. The Customer hereby releases and agrees to indemnify Company and its suppliers for any nuclear damage including, but not limited to, loss of use, in any manner arising out of the nuclear incident, whether alleged to be due, in whole or in part by Company or its suppliers.

g. **No Inducements.** Each party represents to each other that neither it nor any person acting on its behalf has, in contravention of any applicable law, given or offered to give or will give or offer to give, any sum of money or other material consideration to any person, directly or indirectly, as an inducement to obtain business hereunder or to influence the granting of licenses or other governmental permissions to enter into this Agreement or perform obligations hereunder.

h. **Equal Employment Opportunity.** Company is a U.S. federal contractor that complies with Executive Order 11246, as amended, and applicable regulations in 41 CFR Parts 60-1 through 60-60, 29 U.S.C. § 793 and applicable regulations in 41 CFR § 60-741; and 38 U.S.C. § 4212 and applicable regulations in 41 CFR Part 60-250 and 60-300. **THE FOLLOWING PROVISIONS ARE INCORPORATED HEREIN BY REFERENCE:** Executive Order 11246, as amended by Executive Order 13672, and 41 CFR § 60-4.3(a); Executive Order 11701 and 41 CFR §§ 60-250.5(a), 60-300.5; Executive Order 11758 and 41 CFR § 60-741.5(a); U.S. immigration laws, including the L-1 Visa Reform Act of 2004 and the H-1B Visa Reform Act of 2004; and Executive Order 13496.

i. **Ethical Business Conduct.** Customer shall adopt and comply with Company's Business Partner Code of Conduct which is **EXPRESSLY INCORPORATED HEREIN BY REFERENCE.**

34. REPRESENTATIONS AND WARRANTIES. Customer represents, warrants and covenants to Company that: (a) it has the right, power, and authority to enter into this Agreement and fully perform its obligations hereunder; (b) it has all necessary rights in and to its respective Content and Marks for use within the scope of this Agreement, including the licenses granted herein; and (c) it complies, and at all times shall comply, with all laws, rules, and regulations in effect that are applicable to its performance under this Agreement, including obtaining all such approvals and/or permits as may be required hereunder.

35. NO THIRD-PARTY BENEFICIARY. Each party is entering into this Agreement solely based on the representations contained herein for its own purposes and not for the benefit of any third party.

36. NOTICES AND CHANGE OF ADDRESS. All notices or other communications under this Agreement shall be in writing and delivered in person, or sent by receipted courier, express mail, e-mail, or postage prepaid certified or registered mail, addressed to the party for whom it is intended, at the addresses set forth in this Agreement. Either party may change its address for notice by giving written notice to the other party. Any notice or other communication shall be deemed given no later than the date actually received. Notice by courier, express mail, certified mail, or registered mail shall be deemed given on the date it is officially recorded as delivered and, in the absence of such record of delivery, it shall be rebuttably presumed to have been delivered on the third Business Day after it was deposited. Notices sent by e-mail require tangible confirmation of receipt from addressee.

37. ASSIGNMENT. Customer may not assign this Agreement without the prior written consent of Company. Company may assign its rights and delegate its duties under this Agreement, without the prior consent of Customer, to an Affiliate, or to a third party in the event of a spin-off, merger, business combination, consolidation or sale of all, or substantially all, of its assets or business that are related to this Agreement. The rights and duties in this Agreement shall bind and inure to the benefit of any such assignee.

38. SEVERABILITY. If any provision of this Agreement is held to be invalid, illegal, or unenforceable under any statute, regulation, ordinance, executive order, or other rule of law, that provision will be deemed severed to the extent necessary to comply with such statute, regulation, ordinance, order, or rule. In the event such provision is deemed severed, the parties will negotiate in good faith to arrive at an alternative arrangement approximating the original business objective of the parties. The remaining terms and conditions of this Agreement will remain in effect.

39. NO IMPLIED WAIVER. The failure of either party at any time to require performance by the other party of any provision of this Agreement will in no way affect the right to require such performance at any time thereafter, nor will the waiver of either party of a breach of any provision of this Agreement constitute a waiver of any succeeding breach of the same or any other provision.

40. MISCELLANEOUS. (a) This Agreement does not make either party the agent or legal representative of the other party. Neither party is authorized to create any obligation on behalf of the other party including, but not limited to, the obligation for payment of any service or warranty obligation hereunder; (b) The rights and remedies herein reserved to Company are cumulative and additional to any other rights and remedies provided at law or equity; (c) The official text of this Agreement is in the English language. If this Agreement is translated into another language, the English text will govern any question with respect to interpretation;

(d) The headings in this Agreement are for convenience of reference only and do not affect the meaning of this Agreement in any manner.

DEFINITIONS.

Capitalized terms have the meanings set forth in this Section, or in the Section in which they first appear in this Agreement.

"Agreement" means these Allegion Terms and Conditions of Sale and Service, together with any applicable Country Supplement or Region Supplement provided by Company, and all of the documents referenced herein or therein.

"Affiliate" means any Person that directly or indirectly, through one or more intermediaries, controls, is controlled by, or is under common control with, the Company. The term "control" (including the terms "controlled by" and "under common control with") means the possession, directly or indirectly, of the power to direct or cause the direction of the management and policies of a Person, whether through the ownership of voting securities, by contract or otherwise.

"Business Day" means any day except Saturday, Sunday or any other day on which commercial banks located in the United States are authorized or required by Law to be closed for business.

"Company" means Schlage Lock Company, LLC or any subsidiary or affiliate thereof selling products that are part of the Allegion product portfolio. Schlage Lock Company and/or its subsidiary or affiliates will be severally but not jointly liable under the Agreement.

"Company Marks" refers to the Marks of Company.

"Confidential Information" shall mean any and all information provided by either party to the other party pertaining to the disclosing party's business. Confidential Information shall include, but not be limited to, any bidding lists, formulae for products, manufacturing processes, production techniques, packaging processes, methods, research materials, ideas, marketing plans and related materials, quality standards, test results and data, apparatus, engineering drawings, contract documents, computer software, hardware, or firmware, business activities information such as financial information, reports, projections, books and records, customer and supplier information, and operations, customer and supplier lists and data, specifications, know how, and other Proprietary Information or Trade Secrets (as defined herein) that either party may furnish to the other party. Confidential Information shall not include information that:

(a) is or becomes publicly known if such public knowledge or disclosure is not the result of any act or failure to act on the part of the receiving party; (b) is, at the time of disclosure, already known to the Receiving Party without utilizing the Confidential Information; (c) is information disclosed to the Receiving Party by a third party which is not to the Receiving Party's knowledge, after inquiry of the third party, under a duty of confidentiality to the Disclosing Party; or (d) is independently developed by the Receiving Party without the use of Confidential Information. The Receiving Party shall have the burden of proof as to prior knowledge and absence of breach. Confidential Information may be furnished in any tangible or intangible form including, but not limited to, writings, drawings, computer and other electronic media, logic diagrams, component specifications, graphs, prototypes, samples, or verbal communications and regardless of whether such information is marked or designated as "confidential." For the avoidance of doubt, all information, knowledge or data disclosed by Company to Customer, regardless of whether disclosed in written, tangible, oral, visual or other form, including, without limitation, sample products, equipment, software, or other objects or material, provided by Company to Customer, and all information, knowledge or data which was obtained by Customer from visits to Company's facilities, shall be considered "Confidential Information" under this Agreement.

"Content" means all information (including without limitation any text, music, sound, photographs, video, graphics, data or software), in any medium, on a particular Company Web page or Website or in Marketing Materials.

"Customer" means the purchaser of Deliverables from Company.

"Deliverables" means any good or service or both purchased by Customer from Company under these General Terms and Conditions of Sale and Service.

"End Users" means the purchaser that (a) has acquired a Deliverable from Customer for (i) its own and its Affiliate's/Affiliates' internal use and not for resale, remarketing or distribution or (ii) incorporation into its own products and (b) is an individual or entity, other than any federal, state or local agency, office or division.

"IP" means all intellectual property and industrial property rights comprising or relating to/ of the following: (a) Patents; (b) Trademarks; (c) internet domain names, whether or not Trademarks, registered by any authorized private registrar or Governmental Authority, web addresses, web pages, website and URLs; (d) works of authorship, expressions, designs and design registrations, whether or not copyrightable, including copyrights and copyrightable works, software and firmware, application programming interfaces, architecture, files, records, schematics, data, data files, and databases and other specifications and documentation; (e) Trade Secrets; and (f) all other intellectual property and industrial property rights, and all rights, interests and protections that are associated with, equivalent or similar to, or required for the exercise of, any of the foregoing, however arising, in each case whether registered or unregistered and including all registrations and applications for, and renewals or extensions of, such rights or forms of protection pursuant to the Laws of any jurisdiction throughout in any part of the world.

"Marketing Materials" means all marketing brochures, buckslips, pamphlets, emails, text, call scripts or other material, whether in printed format, audio or audiovisual format, or in any other format, that contain any (i) Content relating to the Company Deliverables or (ii) Company Marks.

"Marks" means collectively the domain names, trademarks, trade names, service marks, trade dress, logos, and the like used or provided by either party for use in connection with this Agreement.

"Patents" means all patents (including all reissues, divisionals, provisionals, continuations and continuations-in-part, re-examinations, renewals, substitutions and extensions thereof), patent applications, and other patent rights and any other Governmental Authority-issued indicia of invention ownership (including inventor's certificates, petty patents and patent utility models).

"Person" means a person or entity.

"Price Books" mean Company's current Price Book in effect for the applicable Deliverable being purchased by Customer.

"Trade Secrets" means and includes business or technical information of either party, including processes, formulas, devices, techniques, compilations and other material that a party attempts to maintain in secret and that derive commercial value for such party from not being generally known to the public or readily ascertainable through independent development or reverse engineering.

LOCKS FOR THICK DOORS

Many Series of Falcon locks are available for doors over 1-3/4" thick. Consult the options section for each series for available door thicknesses and charges.

LEAD-LINING OR LEAD-WRAPPING

T and RU Series locksets and latchsets are available lead-lined. MA Series locksets are available lead-wrapped. Consult the options section for each series for availability and charges.

ABRASIVE COATING AND KNURLING

Abrasive coated or knurled knobs or levers are available for most Falcon locksets and latchsets. Consult the options section for each series for availability and charges.

MOUNTED LOCK SAMPLES

Individual mounted samples are available for all lock series. The samples are mounted on a mount block and are fully operative thus allowing demonstration of each functions' individual features. There is a nominal charge for the mount block. There is no charge for mounting of the hardware. See page 168 for mount selection.

SET OF FINISH SAMPLES

One (1) of each finish on 1-1/4" diameter disks attached together with a bead chain.
 Finishes Included: 605, 606, 613, 619, 622, 625, 630, & 643e. Contact your RSO representative for availability.

COMPETITORS' KEYWAYS

A selection of standard keyways of other lock manufacturers is available as listed below (6-pin only). Consult options sections of each series for availability. (Not available in any mortise and rim cylinders, except Schlage C, or factory master keyed.)
 Furnished O-Bitted unless otherwise specified. KD option is not available for locks containing 2 cylinders.

Manufacturer	Keyway	Keying Options
Corbin Russwin	60	O Bitted, KD
	L4	O Bitted, KA4
Russwin	D1	O Bitted, KD
Sargent	LA	O Bitted, KD
Schlage	C	O Bitted, KD, KA4
	E	O Bitted
Yale	8 (Para)	O Bitted, KD

INTERCHANGEABLE CORES

The "A" keyway is standard for IC products and will be supplied unless otherwise specified. A, B, C, D, DD, E, F, G, H, J, K, L, M, N, Q, R, TB, TD are equivalent to Best and Arrow IC keyways of the same names. Consult Allegion Customer Service for restricted keyways not listed here. Conventional cylinders are not compatible with interchangeable core.

COMPETITORS' CORES

Falcon standard IC preps accept Arrow (including Flex-Core), Best (including PKS, Peaks and Cormax®), InstaKey, Kaba Peaks, Keymark and KSP cores. Other brands of interchangeable cores are compatible with T and RU Series locksets. See those sections for details.

CONVENTIONAL CYLINDERS

The "G" keyway is standard for conventional cylinder products and will be supplied unless otherwise specified. E, H, K, L, N and P are also available. Consult Allegion Safety Customer Service for restricted keyways and other keyways not listed here.

* Interchangeable core not compatible with conventional cylinders

RESTRICTED KEYWAY POLICY

All keyways not listed in the above statements defined as standard keyways are considered RESTRICTED. Falcon requires a minimum cylinder order size to qualify for a defined geographic area restricted key system. A letter of authorization is required for the purchase of keys, locks or cylinders (to include plugs) for a restricted keyway. Contact 877-671-7011 for availability.

Prices subject to change without notice

FINISHES

Although we apply the finest available protective plating and/or enamel coating to the surface of our products, these finishes have limitations and in time may deteriorate either from exposure to weather, pollution, perspiration, extremes of climate, frequency of use or other factors. Deterioration of these finishes is, therefore, not a defect, but a normal process which is unavoidable. Our Company cannot accept responsibility for finish deterioration in these circumstances and therefore the finishes cannot be guaranteed. These products will not be refinished or replaced under our warranty should deterioration of finishes occur.

Some finishes are not suggested for areas that are subject to corrosive climate or chemical conditions. We recommend chrome plated or stainless steel finishes for these areas.

ANSI/BHMA Finish Code	U.S. Standard Code	Description
605*	3	Bright Brass - Clear Coated
606	4	Satin Brass - Clear Coated
613**	10B	Satin Bronze; Dark Oxidized and Oil Rubbed
619	US15	Satin Nickel
622		Matte Black
625	26	Bright Chromium
626	26D	Satin Chromium
630	32D	Satin Stainless Steel
643E	US11	Aged Bronze

* 605 Finish is not recommended for corrosive climates.

** Oil rubbed bronze (613) is considered a category "B" finish by ANSI/BHMA and will vary in color when applied to different alloys and forms of base material. 613 will also vary from production lot and additionally from one manufacturer to another. Oil rubbed bronze will wear off over time due to the "rubbed" finishing method that has no protective coating or plating.

Please refer to price columns for each lock series for finish availability.

HOW TO SPECIFY FINISHES

STRAIGHT FINISHES: When the finish is to be the same for both sides of the door.

EXAMPLE: 40 EA. 511HG 626

SPLIT FINISHES: Split finishes are available on all models except for Padlocks. Finish may vary from one side of the door to the other and will be priced at the highest list price of the design/finish chosen.

EXAMPLE: 40 EA. X30ITG 606 x 625 (Outside finish is always specified first)

MARKING CARTONS

Markings (e.g., door number, stock reference numbers) on individual product cartons will be provided with no charge.

Prices subject to change without notice

Prices subject to change without notice

WHERE TO SEND ORDERS		
Type of Order	Fax No.	Mailing Address
Factory	888-840-7732 (West) 888-840-7735 (East)	Falcon Lock 3899 Hancock Expressway Security, CO 80911 877-671-7011

Note 1) Failure to use the above fax numbers or mailing address will delay processing of your order.

PRODUCT IDENTIFICATION CODING	
Latch Suffix	
D	Deadlatch
S	Springlatch
Cylinder Suffix	
P	6 pin cylinder, keyed to 5 chambers
L	Less cylinder
B	Less SFIC
BDC	Disposable construction core, plastic (SFIC**)
J	FSIC core prep (competitor's full-size IC, designate competitor in "Additional Details" of Order Form)
G	SFIC (Old Falcon designation = WIC)
H	Construction Core SFIC (brass, keyed)
BB	Best Syle Capped Core (SFIC)
CP6	Schlage C Keyway
Trim and Chassis Prefix	
6	Abrasive Lever (6DA = Dane Lever x abrasive strip)
8	Knurled (8TG = Troy-Gala knob trim x knurled lever or knob)
9	Lead-Lined (9AV = Avalon lever x lead-lining of levers (and/or chassis)
XC	Corrosion resistant chassis (XC561 = X corrosion resistant chassis, classroom function)*

* X Series chassis only.

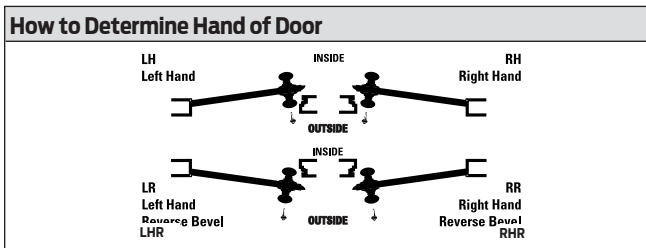
** SFIC = Small format interchangeable core

Prices subject to change without notice

To order Falcon products, descriptive data should be in the same sequence as shown:

Line Item	Qty	Product	Outside		Inside		Hand	Latch	Strike	Dr. Thk	Ext	DIM	Additional Details
			DES	FIN	DES	FIN							
1	2	3	4	5	6	7	8	9	10	11	12	13	14

1. **LINE ITEM:** Line item number
2. **QTY:** Quantity
3. **PRODUCT:** Complete lock product or part number
4. **OUTSIDE DES:** Outside design code
5. **OUTSIDE FIN:** Outside finish code
6. **INSIDE DES:** Inside design code. Leave blank if same as outside design code.
7. **INSIDE FIN:** Inside finish code. Leave blank if same as outside finish code.
8. **HAND:** Hand of door. Only one hand allowed per line item.
Example: RH = Right Hand, LH = Left Hand, RHR = Right Reverse, LHR = Left Reverse.



9. **LATCH:** Latch. Leave blank for standard or specify part number if non-standard latch is required. LLL = Less Latch.
10. **STRIKE:** Strike. Leave blank for standard or specify part number if non-standard strike is required. LLL = Less Strike.
11. **DR THK:** Door Thickness. Enter door thickness if non-standard. Example: 138 = 1-3/8", 214 = 2 1/4", 212 = 2 1/2".
12. **EXT:** Extension. Enter one of the following when doors 2" thick or greater are specified:
 - EE = Extended Equally
 - EI = Extended Inside
 - EO = Extended Outside
 - ED = Extended Differently
 EI or EO assumes the latch will be centered on a 1-3/4" door, to which material has been added.
13. **DIM:** Enter dimension for non-standard strike lip length and mortise cylinder or blocking ring length.

012 = 1/8"	118 = 1-1/8"
018 = 3/16"	114 = 1-1/4"
025 = 1/4"	138 = 1-3/8"
031 = 5/16"	112 = 1-1/2"
037 = 3/8"	158 = 1-5/8"
050 = 1/2"	134 = 1-3/4"
078 = 7/8"	200 = 2"
100 = 1"	400 = 4"
14. **ADDITIONAL DETAILS:** Enter detail for keying information and for special requirements.

Prices subject to change without notice

Line Item	Qty	Product	Outside		Inside		Hand	Latch	Strike	Dr. Thk	Ext	DIM	Additional Details/Keying
			DES	FIN	DES	FIN							
Ten B-Series storeroom locks with a Dane outside lever in 605 and Dane inside lever in 626, with a 2-3/8 radius face latch and full lip radius strike, 6-pin standard cylinder, G keyway.													
2	10	B581PD6	DAN	605	DAN	626		57421	5104-1				
Four T-Series entry office locks with an Avalon lever in 613, standard latch and strike, 5-pin standard cylinder, G keyway													
3	4	T511PD	AVA	613				98535	5164	134			
Three T-Series entry office locks with a Quantum lever in 605, abrasive outside lever, standard latch and strike, for 2-1/4" thick doors, 6-pin standard cylinder, G keyway, masterkeyed to new system, with 3 keys each. Provide 2 masterkeys.*													
Note: Masterkeying charges and extra cut key charges will be added to the applicable lock/cylinder order line and list price of lock will be adjusted. Charges will not be shown separately on acknowledgements or invoices.													
4	3	T511PD6	6QU	605	QUA			98535	5164	214			G Keyway, w/3 keys ea.
5	2	KB578											G Section, master key
6	3	50-215											Extra cut keys charges
7	3	50-210											Master keying charges
Two X-Series dormitory locks with a Troy knob and Gala rose in 606, 7-pin SFIC, A keyway, 0-bitted, one control key, less strike.													
8	2	X571BD7	TG	606				98535	LLL				A-000000
9	1	KB609-2											A Section control key 0-bit
Two MA-Series dormitory locks with a Hana knob and Gala rose in 625, right hand, lead-lined, 6-pin SFIC, A keyway, construction core, one control key, two change keys.													
10	2	MA571HDG	9HG	625			RH						
11	2	KB632-1CCA											A Section const. change key
12	1	KB609-1CCA											A Section const. ctrl. key
One MA-Series dormitory locks with a Hana knob and Gala rose in 625, left hand reverse, knurled outside knob, 6-pin SFIC, disposable construction core.													
13	1	MA571BDC	9HG	625			LR						
Five W-Series classroom locks with a Dane lever in 626. Standard latch and strike. 6-pin Schlage C keyway, Keyed Different.													
14	5	W5619D6	DAN	626				30-197	30-148				Sch C KD
*Use Master Keying Schedule form and appropriate Master Key Specification Sheet when ordering.													

Prices subject to change without notice



DISTRICT 10

End User Letterhead - REQUIRED

District 10 Schools
555 Main Street
End User City, State 55555
(555) 555-5555

May 1, 2003

Date - REQUIRED

To: Falcon Dealer
100 East Avenue
Dealer City, State 11111

Dealer Name - RECOMMENDED

RE: District 10, Jones Elementary School

Facility Name - REQUIRED

Please consider this authorization to ship product for the above-referenced project.

Jones Elementary School is to be keyed using a new Falcon Restricted Key System. For security reasons, we would like to have all keys for this facility shipped to a location other than the job site. Master keyed products, however, can be shipped directly to the site. This letter authorizes Falcon to ship our restricted products to the following addresses:

Master Keyed Products, Construction Keys, Locks Less Cylinders, and Locks with Construction Cores

Attn: Building Project Manager
District 10 Schools
555 Main Street
End User City, State 55555

Master Keys, Change Keys, Control Keys, and Key Blanks

Attn: Locksmith
District 10 Lockshop
1201 Fifth Avenue
End User City, State 55555

Authorized Ship - To Addresses - REQUIRED

These two addresses above serve as our only authorized shipment addresses for all orders placed for our facility. We understand that this letter will be kept on file and referenced for our future orders and that a new letter is only required to add, remove, or change authorized shipping locations.

Sincerely,


End User Representative
Facilities Manager

End User Representative Signature - REQUIRED

**Letter may be mailed or faxed to Falcon
Falcon Restricted Order Processing
3899 Hancock Expressway
Security, CO 80911
Fax: (888) 840-7735**

Prices subject to change without notice



Non-Master Keyed ORDER

QUOTE#	PRICE BOOK:	ACCOUNT NO.		P.O. NO	DATE
SHIPPING INSTRUCTIONS		MARK CARTONS:			
REQUESTED SHIPDATE		SHIP TO:			
ORDER WRITTEN BY		CUSTOMER NAME AND ADDRESS:			
FOR FURTHER INFORMATION, CONTACT Name:					
Phone:					
Fax:					

LINE ITEM	QTY	PRODUCT	OUTSIDE		INSIDE		HAND	LATCH	STRIKE	EXT	DIM	ADDITIONAL DETAILS Use for Key Section and Bitting Information, KA Groups, etc.
			DES	FIN	DES	FIN						

LINE ITEM	QTY	PRODUCT	OUTSIDE		INSIDE		HAND	LATCH	STRIKE	EXT	DIM	ADDITIONAL DETAILS Use for Key Section and Bitting Information, KA Groups, etc.
			DES	FIN	DES	FIN						

Account No. _____ P.O. No. _____ Page _____ of _____

© 2013 Allegion



MASTER KEYED ORDER

This form must be attached to the
MASTER KEY SYSTEM SUMMARY FORM

Excel Soft copy - Print Instructions:
To avoid printing more sheets than
needed, Select <Print>, from the print
screen select <Print range> then select
<Pages> from ___ to ___ & click OK.

Please provide as complete and accurate as possible
so we can provide what you need for your Key System

Quote #:	Account No.:			P.O. #:							
Shipping Instructions:	Mark Cartons:			Date:							
Order Written By:	Customer Name and Address:										
For Further Information Contact:											
Name:											
Phone:											
Fax:											
Items Ordered		OUTSIDE		HAND							
Lock Details		DESIGN	FINISH	(Only one hand per line item)							
Key/Label Instructions		INSIDE		DOOR #		LATCH	STRIKE				
						KEY Symbol(s)		MK Symbol(s)			
LINE ITEM	QTY	PRODUCT	DESIGN	FINISH	QTY	Heading	Enter door thickness if not standard DR THK	Enter when door thickness is greater/ equal to 2" EXT	Dimension for mortise cylinder, blocking ring, etc. DIM	ADDITIONAL DETAILS	

LINE ITEM	Items Ordered		OUTSIDE		HAND (Only one hand per line item)	INSIDE		DOOR #	LATCH KEY Symbol(s)	STRIKE MK Symbol(s)	Enter door thickness if not standard DR THK	Enter door thickness is greater/ equal to 2" EXT	Dimension for mortise cylinder, blocking ring, etc. DIM	ADDITIONAL DETAILS
	Lock Details		DESIGN	FINISH		DESIGN	FINISH							
	QTY	PRODUCT	QTY	Heading										



MASTER KEY SYSTEM SUMMARY

This form must be attached to the **Master Key Order form and P.O.** Please provide as complete and accurate as possible so we can provide what you need for your Key System.

Job Name
Address
City / State
Country

Account No.
P.O.#

For detailed instructions on how to complete this form please refer to pages 4 & 5

System Overview

New

Existing (provide info below)

Attached Dealer Specified Combinations

Registry # _____

Structure or
Factory Order # _____

1. Select System

Schlage

- Classic
- Classic Primus*

Everest®

- B (Small Format IC, Restricted *)
- C (Open)
 - Primus**
- D (Restricted *)
 - Primus**

Everest 29™

- R (Small Format IC, Restricted *)
- S (Open)
 - Primus**
- T (Restricted *)
 - Primus**

Falcon

- Standard
- Schlage C
- Restricted *
- Interchangeable Core A2
- Interchangeable Core A4

Everest 29 key sections are backwards compatible to Everest keyways and have the following relationships:

R family sections > B family keyways
 S family sections > C family keyways
 T family sections > D family keyways

Type

5-pin 6-pin 7-pin
See compatibility chart on page 5

Keyway _____
Specified **: _____

** = The Commercial Master Key Department makes the final decision in the selection of key sections

Construction Keyed Yes No

Full Size Construction Cores ICA ICB ICC
(Schlage Only)

Small Format Construction Cores Brown Green

Construction Keyed Type

- Falcon
- CK (BOK)
- Lost Ball
- Schlage
- CK (Split)
- RCK (5-Pin C only)

2. Select Keys & Key Stamping

Change Keys

No. Of Keys per Symbol _____

No. Of Keys per Cylinder _____

Type

Standard Bow

Standard Bow
(Unembossed)

Access Bow
(Schlage Only)

Large Bow

Key Stamp Details

Keyset Symbol

Do Not Duplicate
(DND)

With Custom Die
(Specify) _____

Non-standard Code (Specify) _____

Change Key Packaging and Shipping Instructions

Pack Keys Independently (PKI) of Lock or Cylinder***

*** = Furnished standard at no charge with
Split-Key construction keying

Yes No

If PKI, ship change keys to:

Dealer

Other _____

See Primus Facesheet

3. Select Cylinder Stamping

Cylinder Stamp Details

With Industry Standard Key Symbol

Non-Standard Code (Specify)

Cylinder Stamping Location

Plug Face (N/A in Primus) - VKC

Concealed (N/A in Falcon STD) - CKC

4. Select Key Quantities

Level	Qty. Per	Master Key Symbol (s)	Total Quantity
GGM _____	_____	_____	_____
GM _____	_____	_____	_____
MK or RMK _____	_____	_____	_____
Control _____	_____	_____	_____
Emergency _____	_____	_____	_____
Others _____	_____	_____	_____

Ship Master Keys To:

Dealer
 See Primus Facesheet
 Other _____

Special Function	Qty. Per		Qty. Per
RCK (Lost Ball) ****	_____	Full Size Construction Core Keys (Schlage Only)	_____
CK (Split Key) ****	_____	Full Size Construction Core Control Keys (Schlage Only)	_____
Extractor Tools ****	_____	Small Format Construction Core Keys	_____
		Small Format Construction Core Control Keys	_____

**** = Use with Construction Keying

5. Master Key Future Expansion

List Future MK Symbols	Approx. # of Change Key Symbols Under Each Future MK
------------------------	--

Example:
 MK..... ✓ BJ, BK _____ 40 each _____

GGM_ <input type="checkbox"/>	_____	_____
GM_ <input type="checkbox"/>	_____	_____
MK_ <input type="checkbox"/>	_____	_____
MK_ <input type="checkbox"/>	_____	_____
MK_ <input type="checkbox"/>	_____	_____
MK_ <input type="checkbox"/>	_____	_____
Others_ <input type="checkbox"/>	_____	_____

6. Operating Instructions

(Unless otherwise specified, all hierarchical master keys will operate cross-keyed cylinders)

Cross Keyed Cylinder	is operated by these change keys	Cross Keyed Cylinder	is operated by these change keys
X _____	_____	X _____	_____
X _____	_____	X _____	_____
X _____	_____	X _____	_____
X _____	_____	X _____	_____

7. Instructions and Compatibility

General Information

If you do not know the registry number (R#), structure number or the original factory order number for an existing system, contact Customer Service prior to placing the order:

Tel. 1-877-671-7011
Fax 1-800-452-0663

- Only one structure may be ordered on the same purchase order
- Classic refers to Obverse, Numbered (Paracentric), Quad, and Reverse key section families
- Classic Primus refers to Primus Obverse and Primus Quad key section families

Section 1: System a System

Full Size Construction Cores

- Schlage only

Small Format Construction Cores

- 7-pin only for Schlage
- 6- and 7-pin for Falcon

CK (Split)

- 6-pin for Schlage and Falcon
- Split key construction keying is not available for Classic Primus or Everest 29 Primus

RCK (Lost Ball)

- 5-pin (C keyway) only for Schlage
- 5-, 6-, and 7-pin for Falcon

System Selection

- Refer to the compatibility chart

Section 2: Select Kys and Key Stamping

Stamp Details

- Unless otherwise specified, industry standard key symbols are stamped on Everest 29™ and Primus® keys
- For custom die, attach RFQ approval for Schlage

Section 3: Select Cylinder Stamping

Type

- For cylinder type refer to the compatibility chart

Keyway (specify)

- Schlage Commercial's default key section for new Master Key Systems is Everest™ S145

Section 4: Key Quantities

Level

- Unless otherwise specified, the control key has the same cut as the highest-level key in the system (Except SFIC systems)

Special Function

- Construction keys are not furnished unless specified

Change Keys

- Unless otherwise specified 2 change keys are furnished per lock or cylinder

Section 5: Master Key Future Expansion

- Do not use the letters “I”, “O”, “CK”, “KA, or “KD” for any master key symbols

Section 6: Operating Instructions

- Cross keying reduces the security and expansion of key systems
- Unless otherwise specified, all hierarchical master keys will operate cross-keyed cylinders

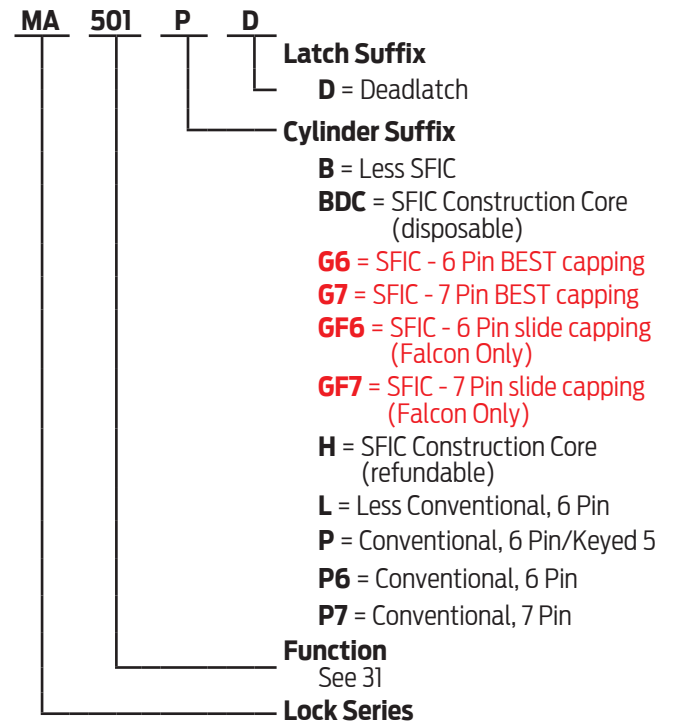
Compatibility Chart

	5 Pin	6 Pin	7 Pin	Split Key	Block O-Key	Lost Ball	Tempe Core	A2	A4	0.025	0.018
Schlage											
Classic	X	X		X		X	X				
Everest 29 S		X		X			X				
Everest 29 T		X		X			X				
Everest 29 R			X				X	X			
Classic Primus (XP)		X					X				
Everest 29 Primus (XP)		X					X				
Falcon											
Open	X	X	X		X	X					X
Restricted		X	X		X	X				X	
Schlage C		X		X							
SFIC Open		X	X				X	X	X		
SFIC Restricted		X	X				X	X	X		

MA Series
Function Chart 31
MA Complete Lock Pricing 33
Option
 Conventional Cylinder Options.....37
 SFIC Cylinder Options.....37
 Small Format Interchangeable Core.....37
 Small Format Constructoin Core37
 Strikes38
 Armor Fronts (Scalps)38
 Lock Less Components.....41
 Non-Standard Door Thickness.....41
 Abrasive Coating and Knurling.....41
 Lead Wrap.....41
 Allegion Connect.....41
 Indicators41

MA Series Parts
 Full Body Mortise Deadlocks.....36
 Lock Cases39
 Knobs & Levers.....39
 Roses.....39
 Escutcheons40
 Screws and Screw Packs.....40
 Misc. Parts.....40
 Allegion Connect.....41
 Indicators41
 Trim Packs.....42

Product Identification



SFIC = Small Format (Best® Style) Interchangeable Core

Finish Codes and Descriptions

Code		Description
605	(US3)	Bright Brass
606	(US4)	Satin Brass
613	(US10B)	Oil Rubbed Bronze
619	(US15)	Satin Nickel
622	(US19)	Matte Black
625	(US26)	Bright Chrome
626	(US26D)	Satin Chrome
630	(US32D)	Satin Stainless Steel
643E	(US11)	Aged Bronze

Standard Features - Furnished unless otherwise specified



Certification	ANSI A156.13, Series 1000, Grade 1 Operation and Security, UL Listed for 3-Hour fire door with SFIC Interchangeable Core Cylinders: Grade 3 Security
Latch	2 piece stainless steel anti-friction bolt 3/4" projection.
Strike	1-1/4" x 4-7/8", ANSI, Square corner, with dust box
Cylinder	6-Pin, Solid brass, Keyed 5-Pin, Falcon G keyway, Keyed different (KD)
Door Range	1-3/4" - 1-7/8" standard
Handing	RH is default. Can be specified on order or re- handed in-field
KeysTwo	Nickel silver cut keys per lock, Falcon G keyway

Prices subject to change without notice

MA Series

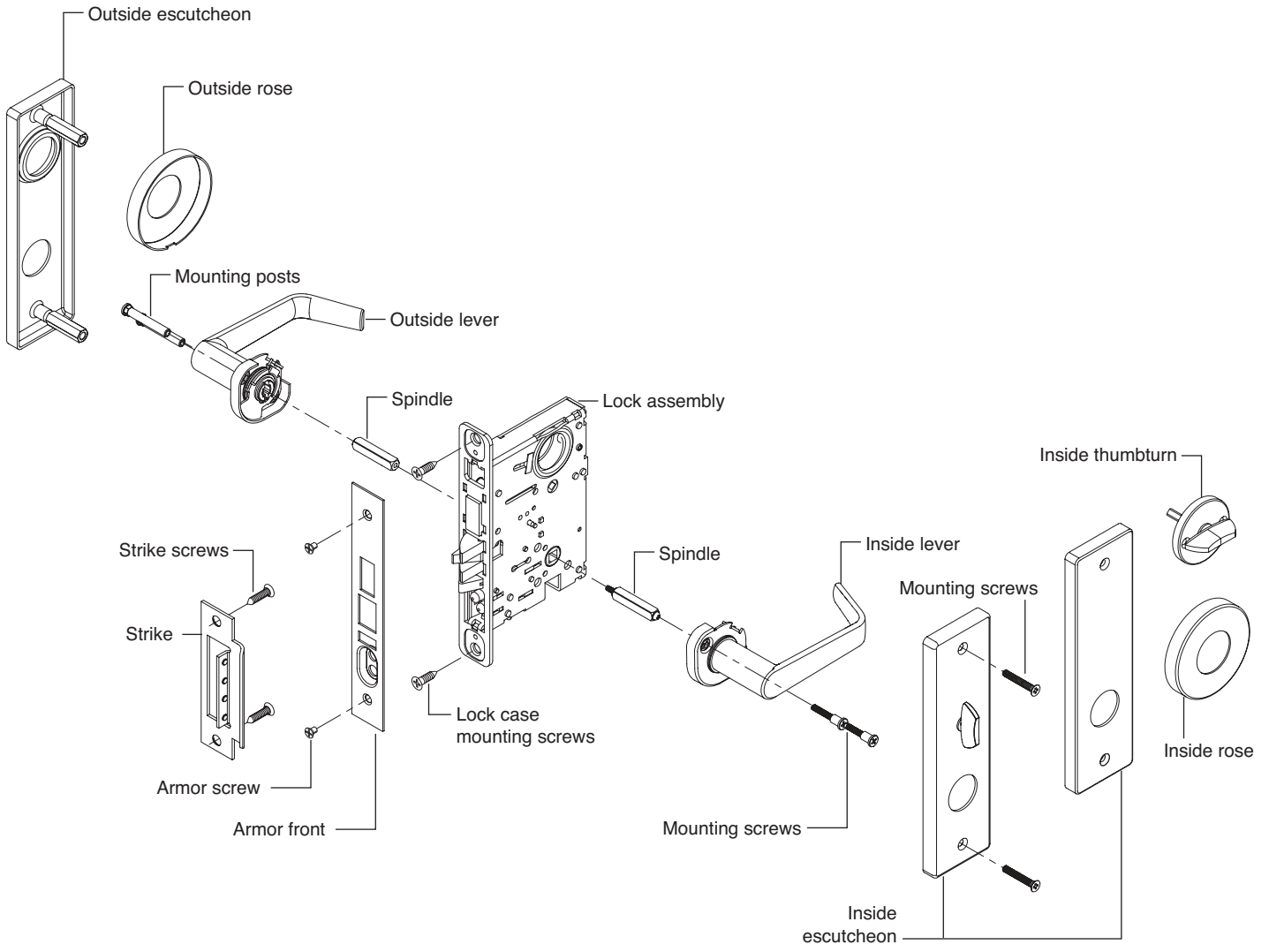
GRADE 1 MORTISE LOCK

LOCKS

Grade 1

Mortise

MA Series



Prices subject to change without notice

ANSI A156.13 Series 1000 Grade 1 Operation

Mortise

FALCON ANSI

MA101 F01



Passage/Closet Latchset

Latchbolt retracted by knob/lever from either side at all times. Inside knob/lever is always free for immediate egress.

MA161 F31



Connecting Room/Exit Latch

Latch bolt operated by knob/lever from inside. No trim outside. Auxiliary dead latch.

MA301 F02



Privacy Lock

Latch bolt operated by knobs/levers either side, dead bolt operated by turn from inside or by emergency release outside. Available with messaging indicator. Please specify.

MA311 F19



Privacy, Bedroom or Bath Lock

Latch bolt operated by knobs/levers. Dead bolt operated by turn from inside and emergency release outside. Rotating inside knob/lever retracts both bolts. Inside knob/lever is always free for immediate egress. Available with messaging indicator. Please specify.

MA321 F22



Privacy Lock

Latch bolt operated by knob/lever from either side except when outside knob/lever is locked by inside T-turn. Operating inside knob/lever, closing door or operating outside emergency release unlocks outside knob/lever. Inside knob/lever is always free for immediate egress. Available with messaging indicator. Please specify.

MA371* F14



Store Door Lock

Latch bolt operated by knobs/levers either side. Dead bolt by key from either side. Available with messaging indicator. Please specify.

MA381 F09



Apartment, Exit Lock

Latch bolt operated by knob/lever from either side, except when outside knob/lever is locked by key from inside. When outside knob/lever is locked, latch bolt is retracted by key from outside or by operating inside lever. Auxiliary dead latch. Inside knob/lever is always free for immediate egress.

Mortise

FALCON ANSI

MA411* F30



Asylum Lock

Latch bolt operated by key from either side. Both knobs/levers always inoperative. Auxiliary dead latch.

MA431 F34



Classroom Security Lock with Deadbolt

Latch bolt operated by knob/lever from either side except when outside knob/lever is locked from inside or outside by key. Dead bolt retracted by key from inside or outside. Operating inside knob/lever retracts both bolts and unlocks outside. Latch bolt dead locked when dead bolt is thrown. Inside knob/lever is always free for immediate egress. Available with messaging indicator. Please specify.

MA441 F32



Classroom Security Lock

Latch bolt operated by knob/lever from either side except when outside knob/lever is locked from inside or outside by key. When outside knob/lever is locked, latch bolt is retracted by key from inside or outside or by operating inside knob/lever. Auxiliary dead latch. Inside knob/lever is always free for immediate egress. Available with messaging indicator. Please specify.

MA451 F15



Hotel Guest Lock

Latch bolt operated by key from outside or by operating inside knob/lever. Outside knob/lever is always inoperative. Dead bolt projected by turn from inside and all keys except emergency key are shut out. Operating inside knob/lever retracts both bolts. Auxiliary dead latch. Inside knob/lever is always free for immediate egress. Using MA451 in conjunction with SFIC must use Falcon SFIC mortise housing and Falcon SFIC core. Available with messaging indicator. Please specify.

MA521 F04



Entry/Office Lock

Latch bolt operated by knob/lever from either side except when outside knob/lever is made inoperative by buttons in face. When outside knob/lever is locked, latch bolt is retracted by key from outside or by operating inside knob/lever. Auxiliary dead latch. Inside knob/lever is always free for immediate egress.

MA531 F20



Apartment Corridor Door Lock

Latch bolt operated by knob/lever from either side, except when outside knob/lever is made inoperative by buttons in face. Dead bolt operated by key outside or turn inside. Key outside operates both bolts. Operating inside knob/lever retracts both bolts and outside remains locked. Latch bolt is deadlocked when outside knob/lever is made inoperative or when the dead bolt is projected. When dead bolt is retracted, knob/lever is unlocked by buttons in face. Inside knob/lever is always free for immediate egress.

* **Caution:** Double cylinder locks on residences and any door, in any structure, which is used for egress are a life safety hazard in times of emergency and their use is not recommended. Installation should be in accordance with existing codes only.

Prices subject to change without notice

MA-Series - Functions

LOCKS

Grade 1

Mortise

MA Series

ANSI A156.13 Series 1000 Grade 1 Operation

Mortise
FALCON ANSI

MA541* F21



Entry or Office Lock

Latchbolt retracted by knob/lever from either side. Deadbolt thrown or retracted by key outside or thumbturn inside. Available with messaging indicator. Please specify.

MA551 F06

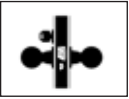


Holdback Lock

Latch bolt operated by lever from either side except when outside lever is locked from outside by key. Latch bolt can be locked in a retracted position by key. When outside lever is locked, latch bolt is retracted by key from outside or by operating inside lever unless latch bolt has been locked in a retracted position. Auxiliary dead latch. Inside knob/lever is always free for immediate egress.

Note: Chassis is handed

MA561 F05



Classroom Lock

Latchbolt operated by knob/lever from either side except when outside knob/lever is locked by key. When outside knob/lever is locked, latchbolt is retracted by key from outside or by operating inside knob/lever. Auxiliary latch deadlocks latchbolt when door is closed. Inside knob/lever is always free for immediate egress.

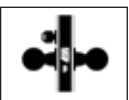
MA571 F13



Dormitory or Exit Lock

Latch bolt operated by knob/lever from either side. Dead bolt projected by key from outside and turn from inside. Operating inside knob/lever retracts both bolts and unlocks outside. Inside knob/lever is always free for immediate egress. Available with messaging indicator. Please specify.

MA581 F07



Storeroom Lock

Latch bolt operated by key from outside or by operating inside knob/lever. Outside knob/lever is always inoperative. Auxiliary dead latch. Inside knob/lever is always free for immediate egress.

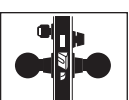
MA621 F08/F10



Apartment Corridor Lock

Latch bolt is operated by knob/lever from either side, except when outside knob/lever is made inoperative by buttons in face. Dead bolt is operated by turn inside. Key outside operates both bolts. Inside knob/lever is always free for immediate egress.

MA641



Dormitory Lock

Latch bolt by knob/lever inside and key outside. Inside knob/lever free. Outside knob/lever rigid. Dead bolt by key outside or T-turn inside. Rotating inside knob/lever retracts both bolts. Deadlocking latch. Inside knob/lever is always free for immediate egress. Available with messaging indicator. Please specify.

Mortise
FALCON ANSI
MA851-12
MA851-24



Storeroom-Fail Safe EL

Latch bolt operated by knob/lever from either side except when outside knob/lever is electrically locked. When outside knob/lever is locked, latch bolt retracted by key in outside cylinder. Deadlocking latch. Specify 12 or 24V DC. Inside knob/lever is always free for immediate egress.

MA851-12RX
MA851-24RX



Storeroom-Fail Safe EL w/ MA851-24RX Request to Exit (RX)

Latch bolt operated by knob/lever from either side except when outside knob/lever is electrically locked. When outside knob/lever is locked, latch bolt retracted by key in outside cylinder. RX monitors lever rotation from both sides. Compatible with normally open systems. Deadlocking latch. Specify 12 or 24V DC. Inside knob/lever is always free for immediate egress.

MA881-12
MA881-24



Storeroom-Fail Secure EU

Latchbolt operated by knob/lever from inside except when outside knob/lever is electrically unlocked, then knob/lever from either side. When locked, key in outside cylinder retracts latch bolt. Specify 12 or 24V DC. Deadlocking latch. Inside knob/lever is always free for immediate egress.

MA881-12RX F15
MA881-24RX



Storeroom-Fail Secure EU

Latchbolt operated by knob/lever from inside except when outside knob/lever is electrically unlocked, then knob/lever from either side. When locked, key in outside cylinder retracts latch bolt. RX monitors lever rotation from both sides. Compatible with normally open systems. Deadlocking latch. Specify 12 or 24V DC. Inside knob/lever is always free for immediate egress.

MA911



F29 Classroom Dead Lock

Key from outside operates dead bolt. Turn from inside retracts but does not project dead bolt.

MA921



F18 Outside Only Deadlock

Dead bolt by key outside only. Available with messaging indicator. Please specify.

MA931*



F16 Two-sided Deadlock

Dead bolt by key from either side. Available with messaging indicator. Please specify.

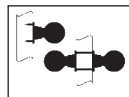
MA941



F17 Deadlock w/ inside turn

Dead bolt by key outside or turn inside. Available with messaging indicator. Please specify.

MA12/MA18

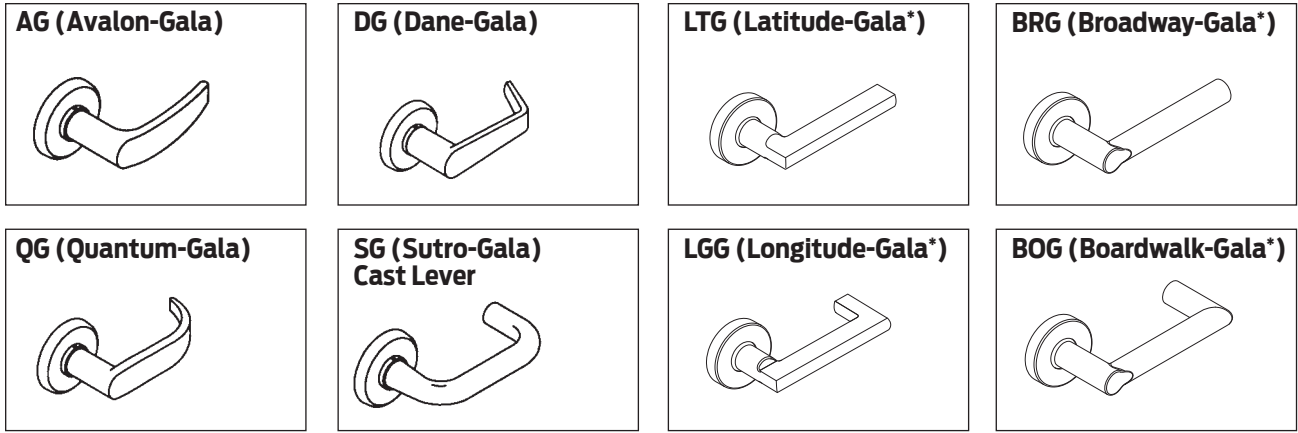


Dummy Trim

Single or double available.
Single (MA12)
Double (MA18)

* **Caution:** Double cylinder locks on residences and any door, in any structure, which is used for egress are a life safety hazard in times of emergency and their use is not recommended. Installation should be in accordance with existing codes only. No Immediate Egress.

Prices subject to change without notice



LOCKS

Grade 1

Mortise

MA Series

MA Lever/Rose Styles		Designs and Finishes								
Function	Description	AG DG QG SG** LTG* LGG* BRG* BOG*								
		626	643E	605	606	613	619	622	625	630*
Single Cylinder Functions										
MA521P	Entry/Office									
MA541P	Entry/Office									
MA551P	Holdback									
MA561P	Classroom		\$612.00						\$624.00	
MA571P	Dormitory Exit									
MA581P	Storeroom									
MA531P	Apartment Corridor									
MA621P	Front Door		627.00						639.00	
MA641P	Dormitory									
MA451P	Hotel		792.00						804.00	
MA851P-12 or -24 ¹	Elect. Storeroom (Fail Safe)									
MA881P-12 or -24 ¹	Elect. Storeroom (Fail Secure)		1,127.00						1,139.00	
MA851P-12RX or -24RX ¹	Elect. Storeroom (Fail Safe) w/ RX									
MA881P-12RX or -24RX ¹	Elect. Storeroom (Fail Secure) w/ RX		1,232.00						1,244.00	
Double Cylinder Functions										
MA371P	Store Door									
MA381P	Apartment /Exit									
MA411P	Asylum									
MA431P	Classroom Security with deadbolt		\$672.00						\$684.00	
MA441P	Classroom Security									
CAUTION: Double cylinder locks on residences and any door in any structure which is used for egress are a life safety hazard in times of emergency and their use is not recommended. Installation should be in accordance with existing codes only.										
Non-Keyed Functions										
MA101	Passage		\$472.00						\$484.00	
MA161	Exit/Connecting		452.00						464.00	
MA301	Privacy									
MA311	Privacy									
MA321	Privacy		552.00						564.00	
MA12	Half Dummy		253.00						259.00	
MA18	Full Dummy		388.00						400.00	

Note: 1) Specify 12 or 24VDC. Default is 12V.
Power supply PS902 will be sufficient to operate an individual lock for multiple lock installation - see Power Supply section.

* Latitude, Longitude, Broadway and Boardwalk levers not available in 630 finish.

** Sutro-Gala trim not available in 619, 622 or 643e finishes.

Prices subject to change without notice

MA-Series - Complete Locks

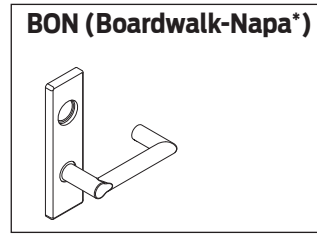
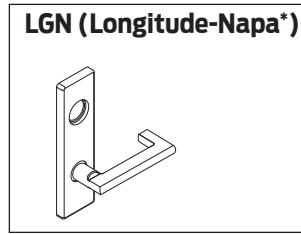
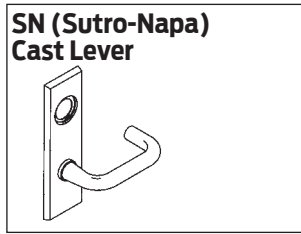
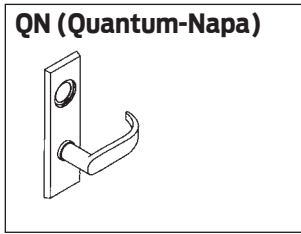
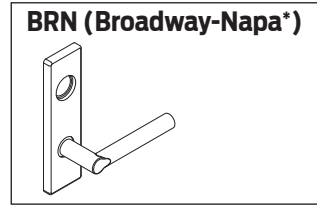
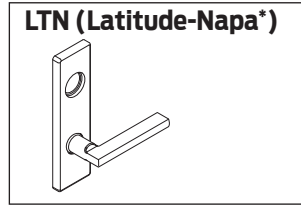
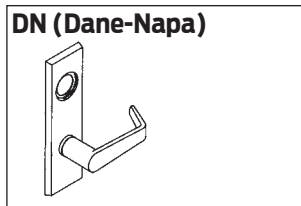
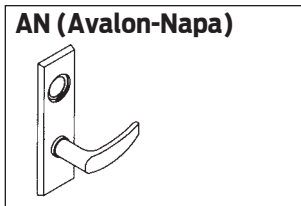
Grade 1 Mortise Locks with Cast/Forged or Heavy Wrought Trim ANSI-A156.13, SERIES 1000, GRADE 1

LOCKS

Grade 1

Mortise

MA Series



MA Lever Escutcheon Styles

Function	Description	Designs and Finishes							
		AN		DN		QN		SN**	
		626	643E	605	606	613	619	622	625 630
Single Cylinder Functions									
MA521P	Entry/Office								
MA541P	Entry/Office								
MA551P	Holdback								
MA561P	Classroom	\$657.00						\$669.00	
MA571P	Dormitory Exit								
MA581P	Storeroom								
MA531P	Apartment Corridor								
MA621P	Front Door	672.00						684.00	
MA641P	Dormitory								
MA451P	Hotel	837.00						849.00	
MA851P-12 or -24 ¹	Elect. Storeroom (Fail Safe)			1,172.00				1,184.00	
MA881P-12 or -24 ¹	Elect. Storeroom (Fail Secure)			1,277.00				1,289.00	
MA851P-12RX or -24RX ¹	Elect. Storeroom (Fail Safe) w/ RX			1,277.00				1,289.00	
MA881P-12RX or -24RX ¹	Elect. Storeroom (Fail Secure) w/ RX			1,277.00				1,289.00	
Double Cylinder Functions									
MA371P	Store Door								
MA381P	Apartment/Exit								
MA411P	Asylum	\$717.00						\$729.00	
MA431P	Classroom Security with deadbolt								
MA441P	Classroom Security								
CAUTION: Double cylinder locks on residences and any door in any structure which is used for egress are a life safety hazard in times of emergency and their use is not recommended. Installation should be in accordance with existing codes only.									
Non-Keyed Functions									
MA101	Passage	\$517.00						\$529.00	
MA161	Exit/Connecting	497.00						509.00	
MA301	Privacy								
MA311	Privacy	597.00						609.00	
MA321	Privacy								
MA12	Half Dummy	298.00						304.00	
MA18	Full Dummy	433.00						445.00	

Note: 1) Specify 12 or 24 VDC.

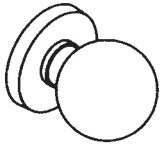
Power supply PS902 will be sufficient to operate an individual lock for multiple lock installation - see Power Supply section.

* Latitude, Longitude, Broadway and Boardwalk levers not available in 630 finish.

** Sutro-Napa trim not available in 619, 622 or 643e finishes.

Prices subject to change without notice

HG (Hana-Gala)



HN (Hana-Napa)



IMPORTANT NOTE:

The Hana knob design in 605, 606, 613 and 625 finishes are being officially discontinued on March 31, 2021. Product will be available in these finishes until that date or while supplies last. This impacts both Gala and Napa trims.

MA Knob Styles – Hana

Function	Description	Designs and Finishes			
		HANA – GALA		HANA – NAPA	
		626	605 606 613 625 630	626	605 606 613 625 630
Single Cylinder Functions					
MA52IP	Entry/Office	\$512.00	\$524.00	\$557.00	\$569.00
MA54IP	Entry/Office				
MA55IP	Holdback				
MA56IP	Classroom				
MA57IP	Dormitory Exit				
MA58IP	Storeroom				
MA53IP	Apartment Corridor	527.00	539.00	572.00	584.00
MA62IP	Front Door				
MA64IP	Dormitory				
MA45IP	Hotel	692.00	704.00	737.00	749.00
MA85IP-12 or -24 ¹	Elect. Storeroom (Fail Safe)	1,027.00	1,039.00	1,072.00	1,084.00
MA88IP-12 or -24 ¹	Elect. Storeroom (Fail Secure)				
MA85IP-12RX or -24RX ¹	Elect. Storeroom (Fail Safe) w/ RX	1,132.00	1,144.00	1,177.00	1,189.00
MA88IP-12RX or -24RX ¹	Elect. Storeroom (Fail Secure)w/ RX				
Double Cylinder Functions					
MA37IP	Store Door	\$572.00	\$584.00	\$617.00	\$629.00
MA38IP	Apartment/Exit				
MA41IP	Asylum				
MA43IP	Classroom Security with deadbolt				
MA44IP	Classroom Security				
CAUTION: Double cylinder locks on residences and any door in any structure which is used for egress are a life safety hazard in times of emergency and their use is not recommended. Installation should be in accordance with existing codes only.					
Non-Keyed Functions					
MA101	Passage	\$372.00	\$384.00	\$417.00	\$429.00
MA161	Exit/ Connecting	352.00	364.00	397.00	409.00
MA301	Privacy	452.00	464.00	497.00	509.00
MA311	Privacy				
MA321	Privacy				
MA12	Half Dummy	153.00	159.00	198.00	204.00
MA18	Full Dummy	288.00	300.00	333.00	345.00

Note: 1) Specify 12 or 24VDC. Default is 12V.

Power supply PS902 will be sufficient to operate an individual lock for multiple lock installation - see Power Supply section.

Prices subject to change without notice

MA-Series - Deadlocks and Cylinders

LOCKS

MA Series Mortise Deadlocks - Escutcheon Only (No Knob or Lever Trim)

Function	Description	List Price			
		626, 643E	605 606 613 619 622 625 630		
MA911P	Classroom Deadlock	\$511.00	\$517.00		
MA921P	Deadlock by key outside	474.00	480.00		
MA931P**	Deadlock by key from either side, Double Cylinder lock	510.00	516.00		
MA941P	Single Cylinder, Thumbturn inside	596.00	602.00		

****CAUTION:** Double cylinder locks on residences and any door in any structure which is used for egress are a life safety hazard in times of emergency and their use is not recommended. Installation should be in accordance with existing codes only.

Notes: If ordered with Napa Escutcheon Trim - add \$140 (both sides will be included)

1) Deadlock case comes with appropriate scalp (front).

Grade 1

Mortise

MA Series

Conventional Mortise Cylinders

Pins	Length	Description	Number	626 643e	605 606 613 619 622 625 630
5 or 6	1-1/8	Mortise	985	\$63.00	\$65.00
	1-1/4		986		
5, 6, or 7	1-3/8	Mortise	987	63.00	65.00
	1-1/2		988	78.00	80.00
	1-3/4		990	100.00	102.00
	2		992	105.00	107.00
	6		1-1/8	Mortise, hotel function*	250
6	1-1/4	251			
6	1-3/8	252			
7	1-3/8	253			
-	1-1/8	Mortise thumbturn cylinder **	985T	98.00	100.00
	1-1/4		986T		
-	1	Dummy	984D	38.00	40.00
	1-1/8		985D		

* Hotel mortise cylinder are only offered as Master keyed or 6-pin 0-bitted and must be specified. If not specified, 0-bitted furnished.

** Important: When using 985T or 986T Falcon mortise thumbturn cylinder, if the turn is left in the 180 position it could interfere with cylinder retraction on the outside.

Notes: **1)** Cylinders are furnished 5-pin G keyway, keyed differently unless otherwise specified.

2) Restricted sections see page 141. See Keys & Keying for standard keyways. Contact 877-671-7011 for availability.

3) MA cam (5622-STD) provided unless otherwise specified.

4) For 7-pin conventional add \$11.90.

5) All mortise cylinders will be furnished with cam 5622-STD, except for MA381 function which will be supplied with 5620-STD and 5621-STD. See page 152 for additional available cams.

6) Mortise and rim cylinders are not available in any competitor keyway, except Schlage C.

7) 984D, 985D not available in 629 and 630.

8) Conventional mortise cylinder with Schlage C keyway are available with the following cams only, 5622-STD & B502-191. Specify XQ11-949 when ordering with cylinder dogging. **MA451 (Hotel Function) is not available in Schlage C keyway for conventional cylinders.**

9) Add \$11.10 (list) for Falcon restricted keyways. See page 8 for standard keyways. All others are restricted. Falcon conventional cylinder restricted keyways use a unique pin kit (P/N 1417) and cutter wheel for keys.

10) 985T is not available in 619, 622, 625 and 643e.

SFIC MA Series housings only

Cat. Number	Length	Pins	Description	626, 643E	605 606 613, 619 622 625 630
C987-xx	1 3/8"	6 or 7	Mortise	\$39.00	\$41.00
C988-xx	1 1/2"	6 or 7	Mortise		
C990-xx	1 3/4"	6 or 7	Mortise	50.00	52.00
C992-xx	2"	6 or 7	Mortise	53.00	55.00
C997-xx	1 3/8"	6 or 7	Mortise, unassembled, less cam	25.00	27.00
C262-xx	1 5/8"	6 or 7	Mortise, hotel function RH	70.00	72.00
C265-xx	1 5/8"	6 or 7	Mortise, hotel function LH		

Notes: **1)** All mortise cylinders will be furnished with cam 5622-IC, except for MA381 function which will be supplied with 5620-IC and 5621-IC. See page 154 for additional available cams.

2) C977 is only furnished with 012667-001 Adams Rite Cam.

3) 625 finish only available on C997-xx.

Prices subject to change without notice

Conventional Cylinder options		
Description	Specify	Add to Lock Price
5 pinned cylinder	P Suffix Example: MA581P	STD
6 pinned cylinder	P6 Suffix Example: MA581P6	N/C
7 pinned cylinder	P7 Suffix Example: MA581P7	\$11.90
6 pinned Competitor keyway cylinders*	P6 Suffix Example: MA581P6 (0 Bitted, KD, KA4 only)	N/C

* Competitor keyways are furnished 0 bitted, unless otherwise specified. Not available Master keyed, except Schlage C

- Notes:**
- 1) Finishes: 606, 622, & 626 only
 - 2) Specify keyway
 - 3) Cylinders are furnished G keyway, keyed differently unless otherwise specified.
 - 4) Restricted sections add \$11.10 to list price. See page 8 for list of standard keyways. All other keyways are considered restricted. Contact 877-671-7011 for availability.
 - 5) 622 Finish is available only on Allegion cylinders (P, P6, & P7) in C & G Keyways.

Small Format Interchangeable Core and Small Format Construction Core		
Description	Specify	Add to Lock Price (per core)
Small format core (BEST Style) *	G6/7 Suffix Example: MA581G6	\$46.00
Small format core (Best Falcon Style) *	GF6/7 Suffix Example: MA581GF6	
Small format construction core **	H Suffix Example: MA581HD	46.00
Less Small format core	B Suffix Example: MA581BD	N/C
Small format disposable core	BDC Suffix Example: MA581BDC	N/C

* Keying must be specified

** Locks are assessed one non-refundable handling charge (50-231F) per core.

- Note:**
- 6) Control keys are not furnished with locks and must be ordered separately. See page 151 for details.
 - 7) 622 Finish is available only on SFIC (G) in C & G Keyways.
 - 8) Using MA451 in conjunction with SFIC must use Falcon SFIC mortise housing and Falcon SFIC core.

Prices subject to change without notice

MA-Series - Strikes and Armor Fronts

LOCKS

MA-Series Strikes with Locks

Descriptions	Lip Length	Specify	Add to Lock Price
			605, 606, 613 622, 625, 626, 643E
Standard - 1-3/4" Door Thickness	1-1/4"	A8737-1	N/C
Optional - 2" Door Thickness	1-7/16"	A8737-2	
Optional - 2-1/4" Door Thickness	1-9/16"	A8737-3	
Optional - 2-1/2" Door Thickness	1-11/16"	A8737-4	
Optional - 1-3/4" Door Thickness	7/8"	A8737-5	

MA-Series Strikes Sold Separately

Descriptions	Lip Length	Specify	Price
			605, 606, 613 622, 625, 626, 643E
Standard - 1-3/4" Door Thickness	1-1/4"	A8737-1	\$24.10
Optional - 2" Door Thickness	1-7/16"	A8737-2	31.60
Optional - 2-1/4" Door Thickness	1-9/16"	A8737-3	
Optional - 2-1/2" Door Thickness	1-11/16"	A8737-4	
Optional - 1-3/4" Door Thickness	7/8"	A8737-5	

Note: Strikes for MA locks with finishes 629 and 630 are supplied in 625 and 626.

MA-Series Armor Fronts (Scalps) Sold Separately

Descriptions	Part Number	Price
		605, 606, 613 622, 629, 630, 643E
MA101, 321	S77801-LL	\$44.40
MA521	S77804-LL	
MA161, 381, 411, 441, 561, 581, 851, 881, 551	S77805-LL	
MA621	S77811-LL	
MA451, 641	S77815-LL	
MA911, 921, 931, 941	S77816-LL	
MA301, 311, 371, 541, 571, 431	S77819-LL	
MA531	S77820-LL	

- Notes:** 1) Armor front is included in complete MA lock
 2) Screws not provided with armors or strikes when ordered separately.
 Please order S76300 if additional screws are required.

Prices subject to change without notice

MA-Series Lock Case		
Part Number	Description	List Price
A7801-xx	MA101	\$273.00
A7831-xx	MA161	252.00
A7802-xx	MA301	351.00
A7819-xx	MA311	350.00
A7822-xx	MA321	284.00
A7814-xx	MA371	318.00
A7809-xx	MA381	317.00
A7830-xx	MA411	316.00
A7815-xx	MA451	508.00
A7804-xx	MA521	287.00
A7820-xx	MA531	350.00
A7821-xx	MA541	343.00
A7805-xx	MA561, 441	342.00
A7813-xx	MA571, 431	341.00
A7807-xx	MA581	340.00
A7808-xx	MA621	352.00
A7815-xx	MA641	351.00
A7806-xx	MA551	338.00
A7851-12-xx	MA851 12V	842.00
A7851-24-xx	MA851 24V	841.00
A7881-12-xx	MA881 12V	840.00
A7881-24-xx	MA881 24V	839.00
A7851-12RX-xx	MA851 12V RX	943.00
A7851-24RX-xx	MA851 24V RX	942.00
A7881-12RX-xx	MA881 12V RX	941.00
A7881-24RX-xx	MA881 24V RX	940.00
A7829-xx	MA911	
A7816-xx	MA921, 931, 941	208.00

Notes: 1) xx Specify handing: RH= Right hand. LH= Left hand. RR = Right hand reverse. LR = Left hand reverse.
 2) Does not include armor front

MA-Series Lever & Knob Assemblies					
Part Number	Description	List Price			
		626	643E*	605 606 613 619* 622* 625 630	
AS76029-L/RH	Avalon, sectional trim				
AS76140-L/RH	Quantum, sectional trim				
AS76526-L/RH	Sutro, sectional trim				
AS76280-L/RH	Dane, sectional trim				
AS76100-L/RH	Hana, sectional trim				
AS76321-L/RH	Broadway, sectional trim (Not available in 630 finish)				
AS76310-L/RH	Boardwalk, sectional trim (Not available in 630 finish)				
AS76360-L/RH	Latitude, sectional trim (Not available in 630 finish)				
AS76760-L/RH	Longitude, sectional trim (Not available in 630 finish)				
AE77321-L/RH	Broadway, escutcheon trim (Not available in 630 finish)				
AE77310-L/RH	Boardwalk, escutcheon trim (Not available in 630 finish)				
AE77360-L/RH	Latitude, escutcheon trim (Not available in 630 finish)				
AE77760-L/RH	Longitude, escutcheon trim (Not available in 630 finish)				
AE77029-L/RH	Avalon, escutcheon trim				
AE77140-L/RH	Quantum, escutcheon trim				
AE77526-L/RH	Sutro, escutcheon trim				
AE77280-L/RH	Dane, escutcheon trim				
AE77100-L/RH	Hana, escutcheon trim				

Notes: 3) Specify finish and handing
 4) Lever assemblies include one lever assemblies with spring cage.
 * Not available on Hana knobs.

IMPORTANT NOTE: The Hana knob design in 605, 606, 613 and 625 finishes are being officially discontinued on March 31, 2021. Product will be available in these finishes until that date or while supplies last. This impacts both Gala and Napa trims.

MA-Series Rose					
Part Number	Description	List Price			
		626	643E	605 606 613 619 622 625 630	
S76012	Rose, Gala	\$33.50		\$36.50	
AS76853	Emergency Coin Turn Rose Turn for MA 301/311/321	34.60		37.60	
AS75319	Thumbturn assembly for sectional trim for MA 301/311/321 when door thickness is less than 2"				
AS76319	Thumbturn Assembly for sectional trim for all functions except MA 301/311/321 when door thickness is less than 2"	34.60		37.60	

Notes: 5) Specify finish

MA-Series ROSE with INDICATOR			
Part Number	Description	List Price	
		626	630
AE55012-OT	Outside indicator, sectional trim, MA301/311/321.		
AE55012-OC	Outside Indicator, sectional trim, All functions except MA 301/311/321/441.	\$102.00	\$105.00

Notes: 6) Specify finish

Prices subject to change without notice

MA-Series - Trim, Screws and Parts

LOCKS

MA-Series Escutcheons

Part Number	Description	List Price			
		626	643E	605 606 613 619	622 625 630
AE77012-OP	Napa, Outside lever opening	\$79.40		\$82.40	
AE77012-OC	Napa, Outside Cylinder and lever openings				
AE77012-OK	Napa, Outside Cylinder only opening				
AE77012-OT	Napa, Outside Emergency key and lever opening				
E77012-IP	Napa, Inside lever opening				
E77012-IB	Napa, inside Blank, no lever opening	95.30		98.30	
AE77012-IT	Napa, Inside lever opening with thumbturn attached				
AE77012-IE	Napa, Inside no lever opening with thumbturn attached	98.10		101.10	
E77012-IC	Napa, Inside Cylinder and lever opening				
E77012-IK	Napa, Inside Cylinder only opening				

Note: 1) Specify finish

Grade 1

MA-Series ESCUTCHEONS with INDICATOR

Part Number	Description	List Price	
		626	630
AE87012-OT	Napa, outside indicator escutcheon trim, MA301/311/321. Vacant/Occupied.	\$118.00	\$121.00
AE87012-OK	Napa, outside indicator escutcheon trim, MA911/921/931/941. Vacant/Occupied.		
AE87012-OC	Napa, outside indicator escutcheon trim, all other functions. Vacant/Occupied.		
AE87012-IC	Napa, inside indicator escutcheon trim, MA441. Vacant/Occupied.		

Note: 2) Specify finish

Mortise

MA-Series Screw Packs

Part Number	Description	List Price			
		606	613	622	630
S76300	1-3/4" - 1-7/8" door thickness, sectional trim with levers	\$25.90			
S76301	Over 1-7/8" - 2-1/2" door thickness, sectional trim with levers				
E77301	Over 1-7/8" - 2-1/2" door thickness, escutcheon trim with levers				
E77303	Over 1-7/8" - 2-1/2" door thickness, escutcheon trim with knobs				
S76306	Torx screw pack, sectional trim, no turn				
S76307	Torx screw pack, sectional trim, with turn				
E77306	Torx screw pack, escutcheon trim, standard				
E77307	Torx screw pack, escutcheon trim, over 1-7/8" - 2-1/2" door thickness				
S76302	1-3/4" - 1-7/8" door thickness, sectional trim with knobs				
S76303	Over 1-7/8" - 2-1/2" door thickness, sectional trim with knobs				
E77300	1-3/4" - 1-7/8" door thickness, escutcheon trim with levers				
E77302	1-3/4" - 1-7/8" door thickness, escutcheon trim with knobs				

Notes: 3) Specify finish (Screw packs not available in 622 finish)

4) Non torx screw packs contains armor front screws, strike screws, trim screws, mortise screws, spindle, mounting posts

5) Torx screw packs contain armor front, strike and trim screws only

MA Series

MA/M-Series Miscellaneous Parts

Part Number	Description	List Price
PE1396	Dust Box, standard with lock	\$5.50
005099-000-30	Metal Dust Box	10.40
S76806	Spindles (2) for lever on standard door thickness or knob on door thickness 1-7/8" - 2-1/2"	7.00
S76816	Spindles (2) for lever on door thickness 1-7/8" - 2-1/2"	7.00
S76206	Spindles (2) for knob on standard door thickness	7.00
S76802	Spindles (2) for connecting door, MA161	7.00
AS5813	Mounting plate for use with no outside trim	18.60
030057-002	Replacement M lock lever return spring*	10.00

Note 6): *Return spring is for the old Falcon M mortise lock not the current Falcon MA mortise lock.

Prices subject to change without notice

Locks Less Components		
Description	Specify	Deduct from Lock Price
Less each knob or lever	LLL for knob/lever design Example: MA581P LLL/DG x DG	\$29.00
Less each escutcheon	LLL for escutcheon design Example: MA581P DN x DN/LLL	29.40
Less each rose	LLL for rose design Example: MA581P DG x DG/LLL	7.50
Less standard cylinder	L suffix Example: MA581L DG	63.00
Less standard hotel cylinder	L suffix Example: MA451L DG	63.00
Less armor front	LLL for latch Example: MA581P DG 626 LLL 21315R	24.90
Less strike	LLL for strike Example: MA581P DG 626 20099 LLL	12.90

Notes: 1) MA-series locks ordered less all components will be furnished as lock cases. See page 39 for part numbers.
2) Sum of applicable deducts, use DG (Dane Gala) and specified finish for base price.

Non-Standard Door Thickness		
Description	Specify	Add to Lock Price
Over 1 7/8" – 2 1/2" thick doors	Door thickness and how door is extended Example: 2", EE	\$90.40

Notes: 3) Must indicate how lock will be extended: Extended Inside (EI) on non-thumb turn functions only
Extended Outside (EO) on all functions
Extended Equally (EE) on all functions
4) MA451 has maximum 1-3/4" door thickness

Abrasive (Available on Avalon, Dane, Quantum and Sutro)		
Description	Specify	Per Lever - Add to Lock Price
6 Prefix	Example: 6 DG for Dane Gala* * G6 Prefix (Abrasive) not available in 613	\$62.70

Note: 5) Abrasive option not available on Latitude, Longitude, Broadway, & Boardwalk levers.

Knurling (Available on Avalon, Dane, Hana, Quantum and Sutro)		
Description	Specify	Per Lever - Add to Lock Price
8 Prefix	Example: 8 DG for Dane Gala** **Knurling only available in 626 finish and levers only	\$93.60

Note: 6) Knurling option not available on Latitude, Longitude, Broadway, & Boardwalk levers.

Lead Wrap		
Description	Specify	Add to Lock Price
9 Prefix	Example: 9 DG for Dane Gala	\$201.00

Note: 7) Lead Wrap option not available on Latitude, Longitude, Broadway, & Boardwalk levers.

Allegion Connect		
Suffix		List Add
CON	Cross-category solution using common interconnect components for electrified options. Available on the MA851 and MA881 functions including all voltage (12 or 24) and RX options. <i>For wire harness options refer to Electronic Power Supplies section.</i>	N/C

Indicators		
Description	Specify	Add to Lock Price
OCCUPIED/VACANT message indicator. For Sectional and Escutcheon Trim	Add M Suffix to trim. Example: DGM for Dane Gala	\$102.00

Note: 8) Optional Vacant available on the following functions: MA301, MA311, MA321, MA371, MA431, MA451, MA541, MA571, MA641, MA921, MA931, MA941 on the outside of door.
Optional Vacant available on the following functions: MA441 on the inside of door.
Available in 626 (Satin Chrome) or 630 (Satin Stainless) finish only.

Prices subject to change without notice

MA-Series • Trim Packages

LOCKS

Grade 1

Mortise

MA Series

MA-Series Trim Packages				
Cat. Number	Function	Specify Style	List Price	
			626 643E*	605 606 613 619* 622* 625 630**
TP 50 S	101, 371, 381, 411, 431, 441, 521, 551, 561, 581, 851, 881	Dane, Sutro, Avalon, Quantum, Hana, Latitude, Longitude, Broadway, Boardwalk	\$335.00	\$347.00
TP 60 C	301, 311, 321	Dane, Sutro, Avalon, Quantum, Hana, Latitude, Longitude, Broadway, Boardwalk	365.00	377.00
TP 70 T	451, 531, 541, 571, 621, 641	Dane, Sutro, Avalon, Quantum, Hana, Latitude, Longitude, Broadway, Boardwalk	390.00	402.00
TP 55 E	101	Dane, Sutro, Avalon, Quantum, Hana, Latitude, Longitude, Broadway, Boardwalk	404.00	416.00
TP 65 E	311, 321, 301	Dane, Sutro, Avalon, Quantum, Hana, Latitude, Longitude, Broadway, Boardwalk	423.00	435.00
TP 75 E	431, 441, 411, 371, 381	Dane, Sutro, Avalon, Quantum, Hana, Latitude, Longitude, Broadway, Boardwalk		
TP 85 E	551, 881, 851, 581, 561, 521	Dane, Sutro, Avalon, Quantum, Hana, Latitude, Longitude, Broadway, Boardwalk		
TP 95 E	641, 541, 531, 571, 621, 451	Dane, Sutro, Avalon, Quantum, Hana, Latitude, Longitude, Broadway, Boardwalk		

Notes:

- S** = Sectional, No Thumbturn, up to 2 cylinders
- C** = Sectional, Thumbturn, no cylinder
- T** = Sectional, Thumbturn & cylinder
- E** = Escutcheon Trim

IMPORTANT NOTE:
 The Hana knob design in 605, 606, 613 and 625 finishes are being officially discontinued on March 31, 2021. Product will be available in these finishes until that date or while supplies last. This impacts both Gala and Napa trims.

- 1) Specify Lever/Knob style and finish
- 2) Contains inside and outside trim, screw pack with mounting hardware
- 3) If Abrasive option is required on trim package, add additional \$62.70 to list price. Not available on Latitude, Longitude, Boardwalk and Broadway levers.
- 4) If Knurling option is required on trim package, add additional \$93.60 to list price. Not available on Latitude, Longitude, Boardwalk and Broadway levers.

* Hana Knob, Sutro-Gala and Sutro-Napa Levers not available in 619m 622 or 643e finishes.

**Latitude, Longitude, Broadway and Boardwalk levers not available in 630 finish.

Prices subject to change without notice

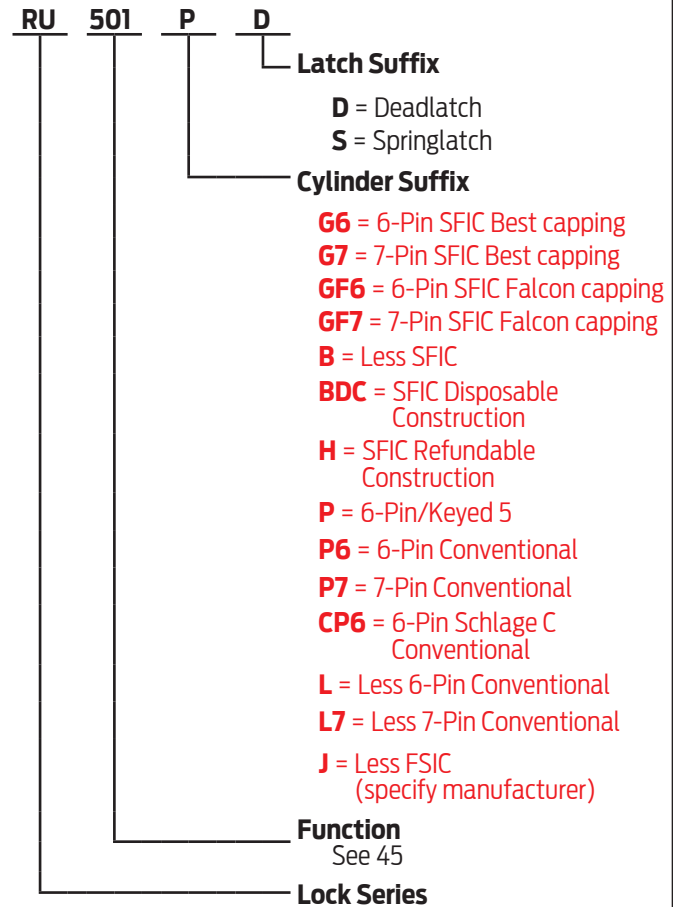
Table of Contents

Function Chart 45
Complete Lock Pricing 46
Order Detail 48

Options
 Latches 47
 Strikes 47
 Cylinder Requirements..... 49
 Competitor Cylinders..... 50

Parts
 Complete Cylinders 51
 Conventional Cylinder Options..... 51
 Lock Less Components 52
 Tactile Warning 52
 Lead Lining 52
 Levers 53
 Roses 53
 Misc. Parts..... 54
 Screws..... 54
 Tailpieces..... 55

Product Identification



SFIC = Small Format (Best® Style) Interchangeable Core

Finish Codes and Descriptions

Code		Description
613	(US10B)	Oil Rubbed Bronze
626	(US26D)	Satin Chrome

Standard Features - Furnished unless otherwise specified



Certification	ANSI A156.2, Series 2000, Grade 1, UL Listed for 3-Hour fire door
Latch	1-1/8" x 2-1/4", Square corner faceplate, 1" housing diameter, 1/2" throw, 2-3/4" backset
Strike	1-1/4" x 4-7/8", ANSI, Square corner, with dust box
Cylinder	6-Pin, Solid brass, Keyed 5-Pin, Falcon G keyway, Keyed different (KD)
Door Range	1-3/4" - 2-1/8" standard
Keys	Two, Nickel silver cut keys per lock, Falcon G keyway

Prices subject to change without notice

RU Series

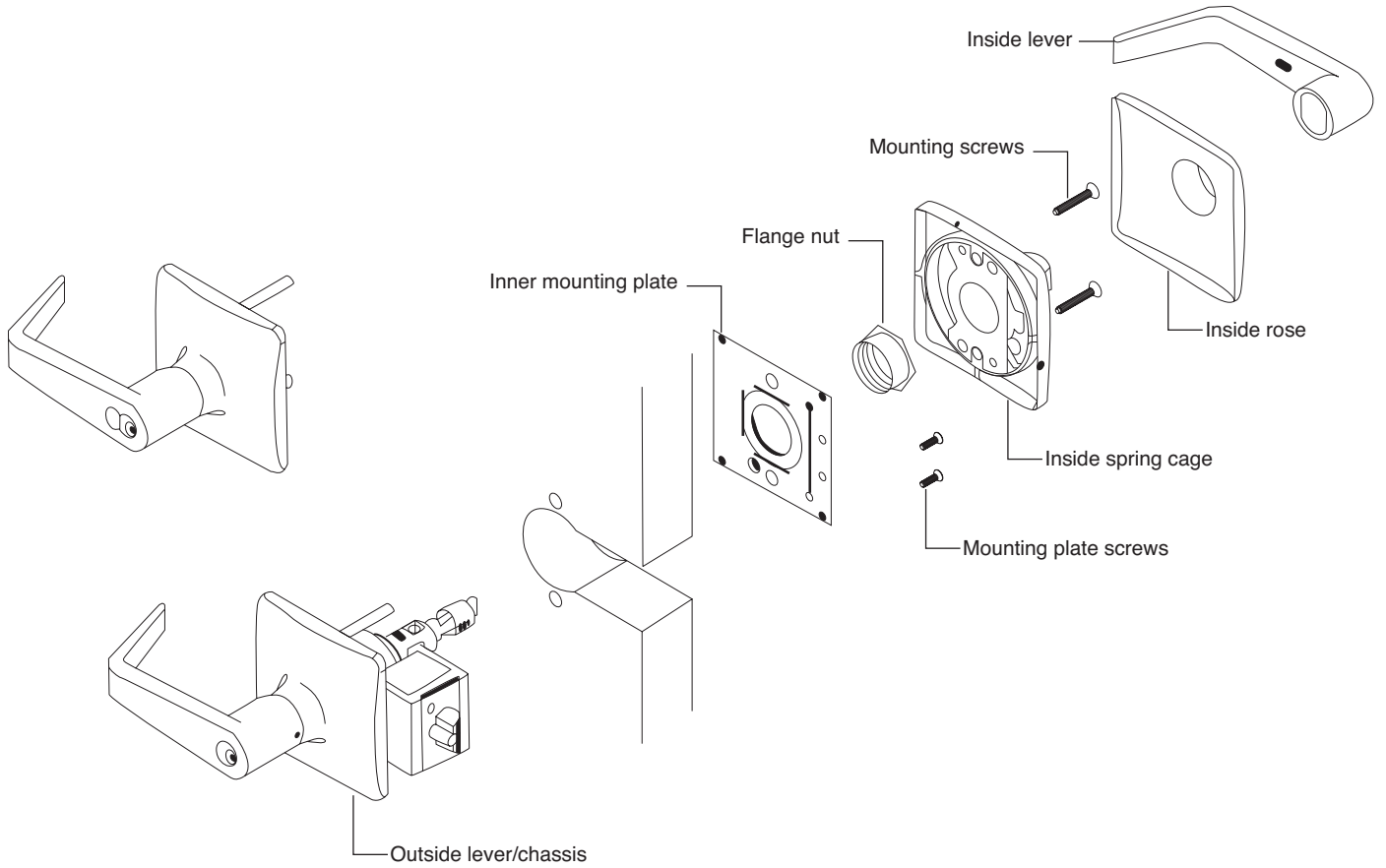
GRADE 1 PREASSEMBLED LOCK

LOCKS

Grade 1

Preassembled

RU Series



Prices subject to change without notice

ANSI A156.2, Series 2000 Grade 1

Retrofit Locks

FALCON ANSI

RU101 F36



Passage/Closet Latchset

Latch bolt by levers at all times.

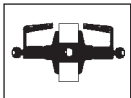
RU301 F37



Privacy/Bedroom/Bath Lock

Latch bolt by levers. Outside lever locked by push button in inside lever. Rotating inside lever or closing door releases push button. Emergency release in outside lever unlocks door.

RU381 F45



Classroom Security Lock

Latchbolt operated by lever from either side except when key from inside lever locks outside lever. When outside lever is locked, latchbolt retracted by key in outside lever or by turning inside lever.

RU411



Asylum Lock*

Deadlocking latch bolt by key from either side at all times. Both levers inoperable.

RU501 F41



Entry Lock

Push button locking. Button on inside locks outside lever until unlocked by key or by rotating inside lever. Inside lever always free. Deadlocking latch bolt.

RU511 F40/F41



Entry/Office Lock

Turn/push button locking. Pushing and turning button locks outside lever requiring use of key until button is manually unlocked. Push button locking. Pushing button locks outside lever until unlocked by key or by rotating inside lever. Inside lever always free. Deadlocking latch bolt.

Retrofit Locks

FALCON ANSI

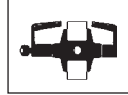
RU521 F40



Office Lock

Turn button locking. Turning button locks outside lever requiring use of key until button is manually unlocked. Inside lever always free. Deadlocking latch bolt.

RU561 F42



Classroom Lock

Deadlocking latch bolt by levers. Outside lever is locked by key in outside lever. Inside lever is always free.

RU571 F48



Dormitory/Corridor Lock

Deadlocking latch bolt by levers except when locked by push button in inside lever. Key in outside lever locks or unlocks lever and releases button. Closing door releases push button. Inside lever always free.

RU581 F44



Storeroom Lock

Deadlocking latch bolt by lever inside or key outside. Outside lever is inoperable. Inside lever always free.

RU851



Storeroom (Electrified-Fail Safe)

Latch bolt operated by lever from either side except when outer lever is electrically locked. When outer lever is locked (inoperable), latch bolt retracted by key in cylinder outside. 24 volt DC .185 Amps, continuous duty.

RU881



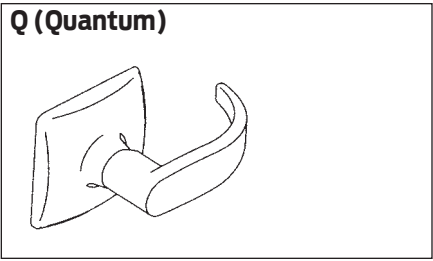
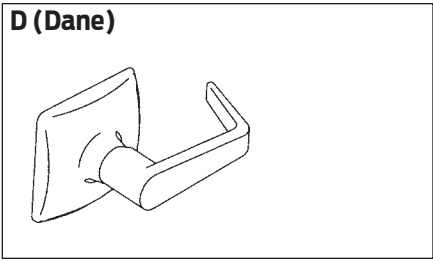
Storeroom (Electrified-Fail Secure)

Deadlocking latch bolt operated by lever inside at all times. Outside lever inoperable until electrically unlocked, then latch bolt from either side. When outside lever is inoperable, latch bolt retracted by key in cylinder outside. 24 volt DC .185 Amps, continuous duty.

* **Caution:** Double cylinder locks on residences and any door, in any structure, which is used for egress are a life safety hazard in times of emergency and their use is not recommended. Installation should be in accordance with existing codes only.

Prices subject to change without notice

LOCKS



Key-In-Lever

Function	Description	Designs and Finishes	
		D Q	D
		626	613
Single Cylinder Functions			
RU501PD	Entry	\$834.00	\$846.00
RU511PD	Entry/Office		
RU521PD	Entry/Office		
RU561PD	Classroom		
RU571PD	Dormitory/Corridor		
RU581PD	Storeroom		
Single Cylinder Functions - Electrified			
RU8511PD	Elec. Storeroom – Fail Safe	1,262.00	1,274.00
RU8811PD	Elec. Storeroom – Fail Secure		
Double Cylinder Functions			
RU381PD	Classroom Security	921.00	933.00
RU411PD	Asylum		
CAUTION: Double cylinder locks on residences and any door in any structure which is used for egress are a life safety hazard in times of emergency and their use is not recommended. Installation should be in accordance with existing codes only.			
Non-Keyed Functions			
RU101S	Passage	\$693.00	\$705.00
RU301S	Privacy	776.00	788.00

Grade 1

Preassembled

RU Series

Prices subject to change without notice

Latches with Locks					
Latch	Description	Door Thickness			Add to Lock Price
		1-3/4"	2"	2-1/4"	
314691	2-3/4" Latch height 1-3/4" x 1/2 Proj. Std.	Default			N/C
314692	2-3/4" Latch height 2-1/16" x 1/2 Proj.	•			N/C
314693	2-3/4" Latch height 2-5/8" x 1/2 Proj.	•			N/C
314694	2-3/4" Latch height 2-11/16" x 1/2 Proj.	•			N/C
315491	2-3/4" Latch height 1-3/4" x 3/4 Proj.	•			\$164.00
315492	2-3/4" Latch height 2-1/16" x 3/4 Proj.	•			164.00
315493	2-3/4" Latch height 2-5/8" x 3/4 Proj.	•			164.00
315494	2-3/4" Latch height 2-11/16" x 3/4 Proj.	•			164.00
316231	2-3/4" Latch height 1-3/4" x 1/2 Proj.		Default		N/C
316232	2-3/4" Latch height 2 1/16" x 1/2 Proj.		•		N/C
316233	2-3/4" Latch height 2 5/8" x 1/2 Proj.		•		N/C
316234	2-3/4" Latch height 2 11/16" x 1/2 Proj.		•		N/C
316241	2-3/4" Latch height 1-3/4" x 1/2 Proj.			Default	N/C
316242	2-3/4" Latch height 2 1/16" x 1/2 Proj.			•	N/C
316243	2-3/4" Latch height 2 5/8" x 1/2 Proj.			•	N/C
316244	2-3/4" Latch height 2 11/16" x 1/2 Proj.			•	N/C

Strikes with Locks		
Description	Specify	Add to Lock Price
ANSI, 1-1/4" x 4-7/8" standard	5164	N/C
Early Corbin Russwin single door	31471	
Early Corbin Russwin single door	31471S	
Early Corbin Russwin pair doors	31472	
Yale Mono Pair of Doors	31473	\$98.10
Early Corbin	31474	
Early Russwin Unit Lock	31477	
ANSI Dust Box 1" deep steel	005099-000 30	N/C
3/4 deep for 3-1/4" high strike, dust box	031453-000 30	2.40

Latches sold separate				
Finishes: 613, 626				
Backset	Description	Spring Latch	Dead Latch	List Price
2-3/4"	Latch height 1-3/4" x 1/2 Proj.	A31469-001	A31469-01D	\$104.00
	Latch height 2-1/16" x 1/2 Proj.	A31469-002	A31469-02D	137.00
	Latch height 2-5/8" x 1/2 Proj.	A31469-003	A31469-03D	143.00
	Latch height 2-11/16" x 1/2 Proj.	A31469-004	A31469-04D	
	Latch height 1-3/4" x 3/4 Proj.	-	A31549-01D	205.00
	Latch height 2-1/16" x 3/4 Proj.	-	A31549-02D	
	Latch height 2-5/8" x 3/4 Proj.	-	A31549-03D	
	Latch height 2-11/16" x 3/4 Proj.	-	A31549-04D	

Strikes sold separate			
Finishes: 613, 626, 630			
Description	Lip Length	Specify	List Price
ANSI, 1-1/4" x 4-7/8" standard	1-3/16"	005164-000	\$14.20
Early Corbin Russwin single door (center line same as early Corbin Russwin)		031471-000	17.10
Early Corbin Russwin single door (center line is different than early Corbin Russwin)		031471-001	
Early Corbin Russwin pair doors		031472-000	91.80
Yale Mono Pair of Doors		031473-000	
Early Corbin		031474-000	
Early Russwin Unit Lock		031477-000	
ANSI Dust Box 1" deep steel		005099-000 30	
3/4 deep for 3-1/4" high strike, dust box -		031453-000 30	2.30

Prices subject to change without notice

RU-Series - Order Detail

LOCKS

Grade 1

Preassembled

RU Series

Ordering Format

Qty.	Catalog Number	Trim Design	Finish	Latch Height	Strike Part No.	Hand	Cylinder	Other Requirements
8	RU521	D	626	1 ³ / ₄ "	031471-000	RH	Less	IC-CR Cylinder

When evaluating the retrofit requirements for an RU Series lockset, the following questions need to be answered.

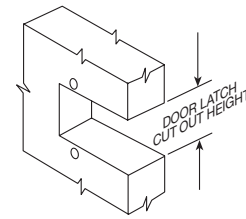
Which manufacturer's unit lock is currently installed?

- Russwin Corbin Corbin Russwin Yale Falcon

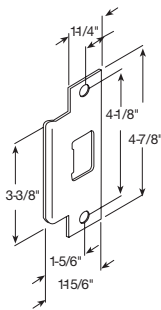
What is the existing latch height? To determine latch height measure existing latch height as shown here:

Latch heights currently identified and the manufacturer:

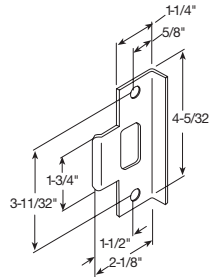
- 1 3/4" Most Corbin & Russwin sold 1949 thru current; Yale 6200
- 2 1/16" Corbin, Falcon
- 2 5/8" Certain Corbin (O)2400 Series sold 1913-1953
- 2 11/16" Russwin 2100 & 2800 Series sold 1904-1968



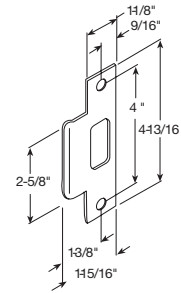
What is the existing strike condition?



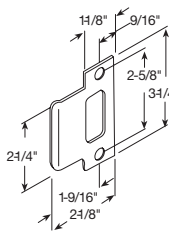
0005164-000



031477-000
Early Russwin
Unit Lock

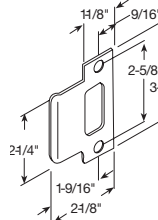


031474-000
Early Corbin



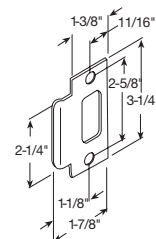
031471-000

Note: Strike, Door and Lock Same Center Line Early Corbin Russwin Single Door

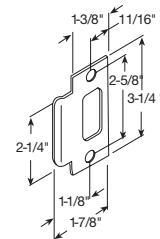


031471-001

Note: Strike Center Line is not the Same as Door and Lock Early Corbin Russwin Single Door



031472-000
Early Corbin Russwin
Pair of Doors



031473-000
Yale Mono
Pair of Doors

What is the existing door thickness?

Locks are for 1 3/4" thick doors only.

Prices subject to change without notice

Specify cylinder requirements.

Note: Locks furnished with Falcon's standard "G" keyway cylinder or prepared for Falcon interchangeable core unless otherwise specified.

With Cylinder

Falcon IC

- 6-pin
- 7-pin

Falcon Standard

- 6-pin *specify keyway*
- 7-pin *specify keyway*

Competitors' Keyways - 6-pin Standard Cylinder*

- Corbin - 60, 0 Bitted, KD
- Russwin - D1, 0 Bitted, KD
- Sargent - LA, 0 Bitted, KD (Also accepts LB, LC keys)
- Schlage - C, 0 Bitted, KD, KA4
- Schlage - E, 0 Bitted
- Yale - 8 (Para), 0 Bitted, KD

* Generic replacement cylinders with competitors' keyways.

Less Cylinder - Prepared to Accept**

Falcon IC

Falcon Standard

- 6-pin
- 7-pin

Unit / Mono Lock Cylinders

- Falcon Standard (R Series old small plug) 6-pin
- Corbin Russwin Unit Lock (2000-052) - Master Ring not available
- Medeco Unit Lock Retrofit Cylinder (20W5005) - Corbin Russwin Unit Lock
- Medeco Unit Lock Retrofit Cylinder (20W0500) - Yale 6200 Mono Lock
- Yale Mono Lock (1801) and later models

Competitors' Standard Cylinders

- Assa (65611 or 65661) 6-pin
- Corbin Russwin (2000-034 / CL3400) 6-pin - Master Ring not available
- Medeco (20W200V3) 6-pin - tailpiece supplied by Medeco - Falcon / Schlage style
- Peaks (Kaba) 6-pin
- Primus (Schlage) 6-pin
- Sargent (6, 7 & 10 Line) 6-pin - Keso not available
- Schlage 6-pin
- Yale (1801) 6-pin - Bicentric not available

Competitors' IC

- Arrow 6, 7-pin
- Assa (70600IC & V70600IC) 6-pin
- Best 6, 7-pin
- Corbin Russwin (8000) 6-pin
- Corbin Russwin (8000-7) 7-pin
- InstaKey
- Medeco 31 Series 6-pin
- Medeco 32 Series 6-pin
- Medeco Keymark 6, 7-pin
- Peaks (Kaba) 6, 7-pin
- Primus (Schlage) 6-pin
- Sargent (6300) 6-pin
- Schlage 6-pin
- Yale (1210) 6-pin

** Proper tailpiece supplied unless otherwise noted.

LOCKS

Grade 1

Preassembled

RU Series

Prices subject to change without notice

Compatibility with Competitors' I-Cores



Falcon's standard interchangeable core option. Specify 6 or 7-pin.
Locksets with this option also accept Schlage SFIC, Arrow (including Flex Core), Best (including PKS & Peaks), InstaKey, Kaba Peaks, Keymark and KSP cores.

The following larger format interchangeable cores will work with the T Series locksets when lockset is so specified:



Asa
old and new style
Specify IC-AS



Corbin Russwin
8000 or 8000-7
Specify IC-CR6
or IC-CR7



Medeco
32 Series 6-pin
Specify IC-ME



Medeco
31 Series 6-pin
Specify IC-YA6



Sargent
6300
Specify IC-SA



Schlage 6-pin
including Primus
Specify IC-SC



Yale 6-pin
Specify IC-YA6

Compatibility with Competitors' Standard Cylinders

The RU Series is furnished with Falcon's standard "G" keyway cylinder unless otherwise specified. The RU Series accepts the following competitors' standard 6-pin cylinders.

- Asa (65611 or 65661) 6-pin
- Corbin Russwin (2000-034 / CL3400) 6-pin - Master Ring not available
- Medeco (20W200V3) 6-pin
- tailpiece supplied by Medeco
- Falcon / Schlage style
- Peaks (Kaba) 6-pin
- Primus (Schlage) 6-pin
- Sargent (6, 7 & 10 Line) 6-pin - Keso not available
- Schlage 6-pin
- Yale (1801) 6-pin - Bicentric not available

Prices subject to change without notice

RU Series - Complete Cylinders		
Cylinder Mechanism	Part Number	Price Each
5 pin cylinder RU series (except 381 IS, 571)	A23151-05	\$56.00
5 pin cylinder RU series 381 IS	A23151-06	
5 pin cylinder RU series 571	A23151-07	
6 pin cylinder RU series (except 381 IS, 571)	A23161-05	
6 pin cylinder RU series 381 IS	A23161-06	
6 pin cylinder RU series 571	A23161-07	
7 pin cylinder RU series (except 381 IS, 571)	A23171-05	71.00
7 pin cylinder RU series 381 IS	A23171-06	
7 pin cylinder RU series 571	A23171-07	

Conventional Cylinder Options		
Description	Specify	Add to Lock Price (per core)
5 pinned cylinder	P Suffix Example: RU581P	STD
6 pinned cylinder	P6 Suffix Example: RU581P6	N/C
7 pinned cylinder	P7 Suffix Example: RU581P7	\$11.90
6 pinned Competitor keyway cylinders*	P6 Suffix Example: RU581P6 (0 Bitted, KD, KA4 only)	N/C
Schlage C (6 pin only)	CP6 Suffix Example: RU581CP6 (All other keying, not listed above)	

* Competitor keyways are furnished 0 bitted, unless otherwise specified. Not available Master keyed, except Schlage C. KD option is not available for locks containing 2 cylinders.

- Notes:**
- 1) Finishes: 606 and 626 only
 - 2) Specify keyway
 - 3) Cylinders are furnished G keyway, keyed differently unless otherwise specified.
 - 4) Restricted sections add \$10.80 to list price. See page 8 for list of standard keyways. All other keyways are considered restricted. Contact 877-671-7011 for availability.

Interchangeable Core and Small Format Construction Core		
Description	Specify	Add to Lock Price (per core)
Small format core (BEST Style) *	G6/7 Suffix Example: RU581G6	\$46.00
Small format core (Falcon Style) *	GF6/7 Suffix Example: RU581GF6	
Small format construction core **	H Suffix Example: RU581HD	46.00
Less Small format core	B Suffix Example: RU581BD	N/C
Less Full Size core	J Suffix Example: RU581JD SCH x DAN	
Small format disposable core	BDC Suffix Example: RU581BDC	N/C

* Keying must be specified
 ** Locks are assessed one non-refundable handling charge (50-231F) per core.

Note: 5) Control keys are not furnished with locks and must be ordered separately. See page 151 for details policy on use of restricted keyway cylinders. Contact 877-671-7011 for availability.

Prices subject to change without notice

RU-Series • Less Components, Thick Door, Tactile Warning, Lead Lining

LOCKS

Locks Less Components

Description	Specify	Deduct from Price (per core)
Less standard cylinder	L suffix Example: RU581LD DAN	\$56.00
Less latch	LLL suffix Example: RU581PD DAN 626 LLL/5164	7.40
Less strike	LLL suffix Example: RU581PD DAN 626 314691 LLL	9.10

Tactile Warning

Description	Specify	Per Lever Lock Price
Abrasive Strip*	Preface the design code with 6 Example: 6DA for DAN	\$68.30

* Not available in 613

Lead Lining

Description	Specify	Add to Lock Price
Lead lining	Preface the design code with 9 Example: 9DA for DAN	\$302.00

Grade 1

Preassembled

RU Series

Prices subject to change without notice

Levers, Conventional Cylinder		
Part Number	Description	List Price
030742-000	Dane lever, closed	\$50.60
030742-001	Dane lever, open	
030744-000	Quantum lever, closed	
030744-001	Quantum lever, open	
030929-002	Lever, Dane open (Corbin Russwin, Medeco, Yale unit)	60.30
030929-003	Lever, Quantum open (Corbin Russwin, Medeco, Yale unit)	
030996-002	Lever, Dane open (Sargent 6, 7 & 10 line, Yale)	67.70
030996-003	Lever, Quantum open (Sargent 6, 7 & 10 line, Yale)	
A30753-00*	Inside lever w/set screw, closed	41.30
A30753-01*	Inside lever w/set screw, open	
A31544-00*	Inside lever w/set screw, closed 851/881	104.00

* Specify design prefix D (Dane), Q (Quantum)

Levers and related parts, Small Format and Large Format Interchangeable Core		
Part Number	Description	List Price
030742-002	Lever, Dane SFIC	\$50.60
030744-002	Lever, Quantum SFIC	
030926-002	Lever, Dane IC, ASSA, Medeco, Yale	108.00
030926-003	Lever, Quantum IC, ASSA, Medeco, Yale	
030927-002	Lever, Dane IC, Schlage	108.00
030927-003	Lever, Quantum IC, Schlage	
030928-002	Lever, Dane IC, Corbin Russwin	105.00
030928-003	Lever, Quantum IC, Corbin Russwin	
030930-002	Lever, Dane IC, Sargent	112.00
030930-003	Lever, Quantum IC, Sargent	

Roses		
Part Number	Description	List Price
031452-000	Rose, square	\$34.60

Note: 1) Dane available in 626 and 613 Quantum available in 626.

Prices subject to change without notice

RU-Series - Miscellaneous Parts

LOCKS

Grade 1

Preassembled

RU Series

Miscellaneous Parts		
Part Number	Description	List Price
022104-000-30	Short Slide Catch	\$0.92
022105-000-30	Slide Catch	2.60
022106-002-55	Retractor	3.20
022108-000-60	Retractor Spring	2.00
022112-000-30	Retainer, Retractor Spring	2.00
022986-001-50	Retractor Insert	0.64
030703-000-30	Inner Spindle, Passage and Button Functions	26.80
030704-002-30	Lever Stop Plate	3.80
030709-000-60	Clutch Spring	0.44
030712-000-30	Mounting Plate, Inner	3.70
030712-001-30	Mounting Plate, Outer	3.30
030718-000-30	Key Spindle, std	4.70
030718-001-30	Key Spindle, IC	
030722-000-30	Dogging Bar	3.20
030724-000-30	Lever Retaining Ring	0.64
030726-000-30	Flanged Nut	7.50
030726-007-30	Flanged Nut, Inner Electrified	10.50
030728-000	Push Button Cap	9.90
030733-000-55	Spindle Inner	3.40
031511-000-30	Hex Nut, 1/-28 Special	8.30
031514-000-30	Solenoid Mount	10.70
031519-000-30	Inner Spindle, RU851/881	42.20
1387	Hex Key – 1/8" with Looped Handle	15.90
A30746-000-00	Hub & Housing Assembly	15.70
A30747-000-00	Hub & Plate Assembly	14.40
A30749-060-00	Insert & Spindle Assembly, Outer, 6 Pin	102.00
A30749-070-00	Insert & Spindle Assembly, Outer, 7 Pin	61.20
A30905-001-00	Spindle & Driver Assembly, IC	57.50
A30905-060-00	Spindle & Driver Assembly, 6 Pin	
A30906-070-00	Spindle & Driver Assembly, 7 Pin	
A30913-000-00	Key Spindle Assembly, Inner Std.	173.00
A30913-001-00	Key Spindle Assembly, Inner IC	
Q330-272	RU Lock Spring Cage Kit (for all functions except RU101 and RU301)	40.10
Q330-273	RU Lock Spring Cage Kit (RU101 and RU301)	

Screws				
Part Number	Description	Finishes	Size	List Price
002762-000	RU latch screw	606, 613, 626	8-32 x3/8	\$0.36
002770-016-30	Insert screws	-	10-32 x 1	0.50
021164-016	ANSI strike screws	606, 613, 626, 630	12-24 x 1" combo	0.58
024416-012	Latch and strike screws	606, 613, 626, 630	8-32 x 3/4" combo	0.34
030755-005-30	Type D screw	-	8-32 x 5/16"	0.44
030831-004-30	Set screw	-	1/4-20 x 1/4"	0.62
031533-006-30	Self tap screw	-	8-32 x 3/8"	0.46
031541-006-30	Mounting plate screws	-	8-32 x 1/2"	0.48

Prices subject to change without notice

Tailpieces for Conventional Cylinders				
Cylinder	Std. Functions	RU381 Inside	RU571	Price
Falcon 6-pin* (10/pack)	A30730-001-00	A30730-003-00	A30730-002-00	\$23.80 pkg. of 10
Falcon 7-pin (10/pack)	A30730-002-00	A30730-004-00	A30730-006-00	\$23.80 pkg. of 10
Sargent 6 & 10 Line	030997-001-30	030997-003-30	030997-005-30	12.60
Yale1801, 5801	030917-001-30	030917-003-30	030917-005-30	36.00 each
Corbin Russwin	030994-001-30	030994-003-30	030994-005-30	67.80

IC Throw Members (Tailpieces)				
Core Type	Std. Functions	RU381 Inside	RU571	Price
Falcon 6-pin*	030739-000-30		030739-000-30	\$3.00
Falcon 6-pin*	030739-002-30			10.20
Falcon 7-pin*	030739-001-30		030739-001-30	3.00
Falcon 7-pin *		030739-003-30		3.00
Corbin Russwin 8000 and Sargent 6300	031468-000-30	031468-002-30	031468-004-30	7.70
Corbin Russwin 8000-7 (7-pin)	031468-001-30	031468-003-30	031468-005-30	7.70
Medeco 32 Series & ASSA	A30988-000-00	A30988-002-00	A30988-000-00	6.60
Schlage full size, including Primus	031467-000-30	031467-002-30	031467-004-30	15.80
Yale and Medeco 31 Series 6-pin	030917-001-30	030917-003-30	030917-005-30	36.00

* Arrow, Best, InstaKey, Kaba Peaks, Keymark, KSP and Schlage small format cores all use the Falcon configuration.

LOCKS

Grade 1

Preassembled

RU Series

Prices subject to change without notice

LOCKS

Grade 1

Preassembled

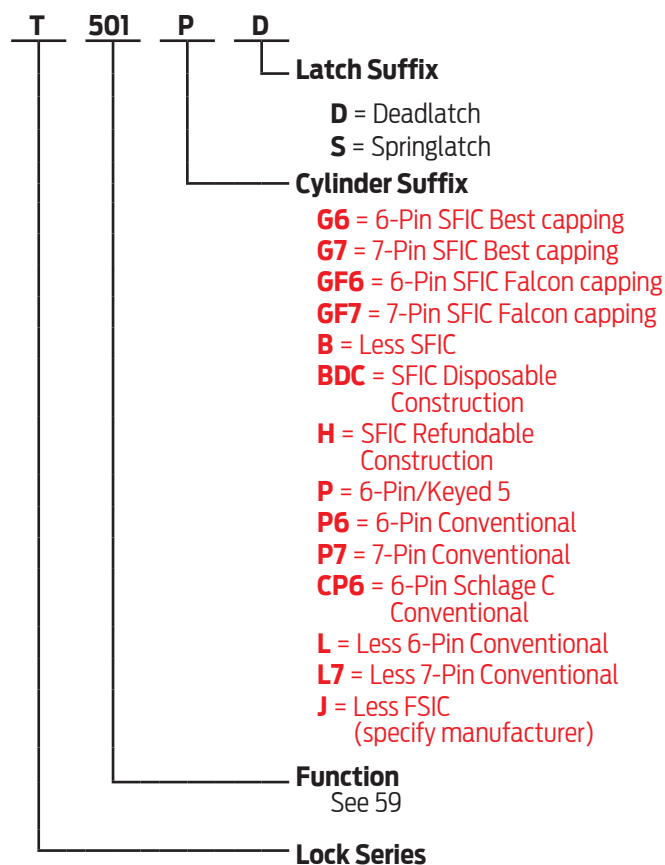
RU Series

Prices subject to change without notice

Table of Contents

Function Chart **59**
Complete Lock Pricing **60**
Options & Parts
 Cylinders61
 Tailpieces.....62
 Order Detail63
 Competitor Cylinders64
 Lock Less Components65
 Non-Standard Door Thickness65
 Tactile Warning65
 Lead Lining65
 Allegion Connect.....65
 Latches with Locks.....65
 Strikes66
 Levers67
 Roses67
 Misc. Parts.....68
 Chassis Assemblies68
 Screws.....69

Product Identification



SFIC = Small Format (Best® Style) Interchangeable Core

Finish Codes and Descriptions

Code		Description
605	(US3)	Bright Brass
606	(US4)	Satin Brass
613	(US10B)	Oil Rubbed Bronze
619	(US15)	Satin Nickel
622		Matte Black
625	(US26)	Bright Chrome
626	(US26D)	Satin Chrome
643E	(US11)	Aged Bronze

Standard Features - Furnished unless otherwise specified

Certification	ANSI A156.2, Series 4000, Grade 1, UL Listed for 3-Hour fire door
Latch	1-1/8" x 2-1/4", Square corner faceplate, 1" housing diameter, 1/2" throw, 2-3/4" backset
Strike	1-1/4" x 4-7/8", ANSI, Square corner, no box
Cylinder	6-Pin, Solid brass, Keyed 5-Pin, Falcon G keyway, Keyed different (KD)
Door Range	1-3/4" - 2-1/8" standard
Keys	Two, Nickel silver cut keys per lock, Falcon G keyway



Prices subject to change without notice

T Series

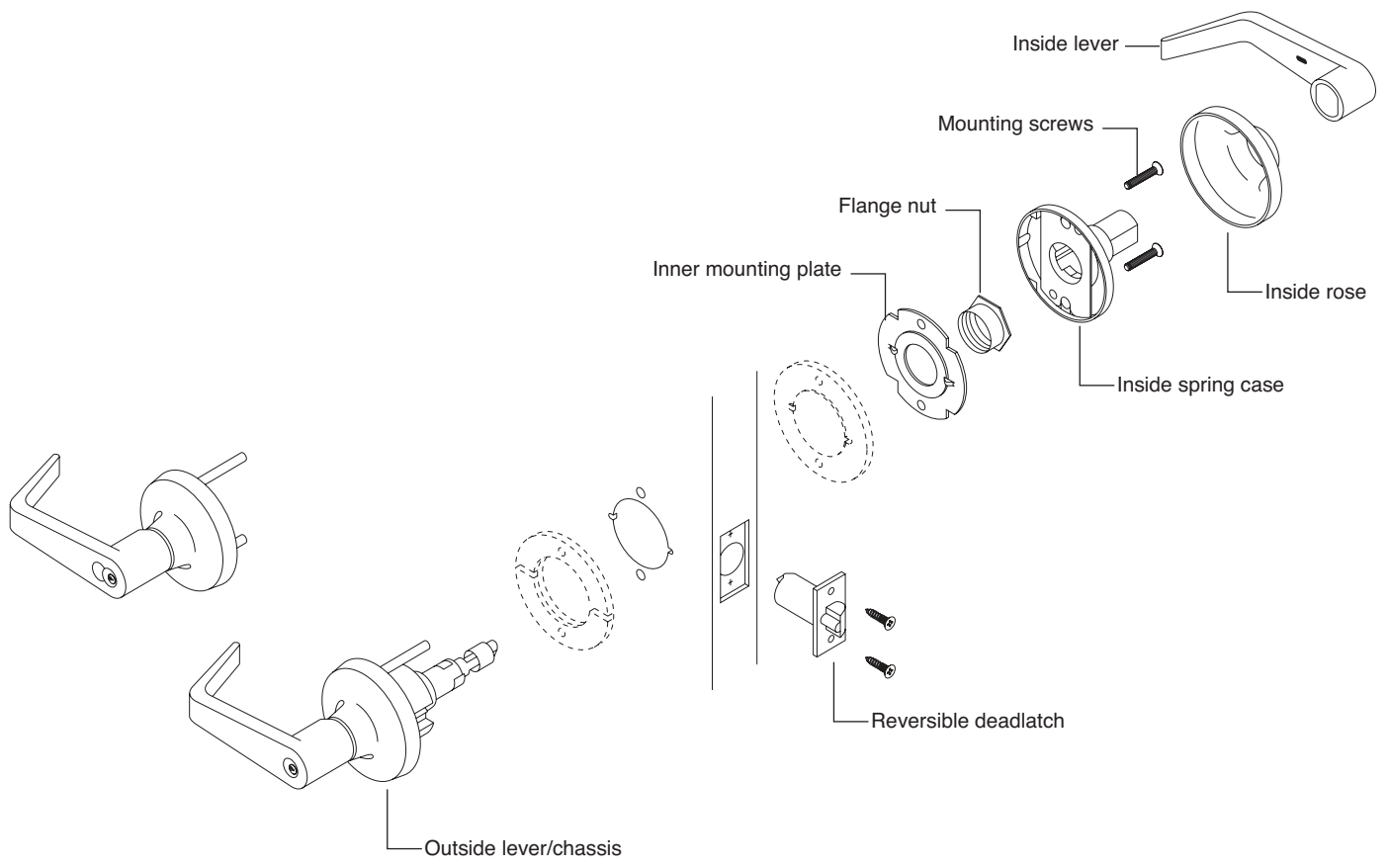
GRADE 1 CYLINDRICAL LOCK

LOCKS

Grade 1

Cylindrical

T Series



Prices subject to change without notice

ANSI A156.2 Series 4000 Grade 1

Key-In-Lever Locks

FALCON ANSI

T101 F75

Passage/Closet Latchset

Latch bolt by levers at all times.



T291

Privacy Hospital Lock

Latch bolt by levers. Outside lever locked by push button in inside lever. Rotating inside lever, closing door, or turning emergency release turn button on outside, release push button. Inside is always free for egress.



T301 F76

Privacy Lock

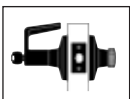
Latch bolt by levers. Outside lever locked by push button in inside lever. Rotating inside lever or closing door releases push button. Emergency release in outside lever unlocks door.



T351

Closet Lock

Deadlocking latch bolt by turn knob inside or lever outside except when outside lever is locked by key.



T381 F88

Classroom Security Lock

Latchbolt operated by lever from either side except when key from inside lever locks outside lever. When outside lever is locked, latchbolt retracted by key in outside lever or by turning inside lever.



T411 F87

Asylum Lock*

Deadlocking latch bolt operated by key in lever from either side. Both levers always inoperable.



T501 F82

Entry Lock

Push button locking. Button on inside locks outside lever until unlocked by key or by rotating inside lever. Inside lever always free. Deadlocking latch bolt.



T511 F109

Entry/Office Lock

Turn/push button locking. Pushing and turning button locks outside lever requiring use of key until button is manually unlocked. Push button locking. Pushing button locks outside lever until unlocked by key or by rotating inside lever. Inside lever always free. Deadlocking latch bolt.



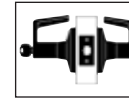
Key-In-Lever Locks

FALCON ANSI

T521 F81

Office Lock

Turn button locking. Turning button locks outside lever requiring use of key until button is manually unlocked. Inside lever always free. Deadlocking latch bolt.



T561 F84

Classroom Lock

Deadlocking latch bolt by levers. Outside lever is locked by key in outside lever. Inside lever is always free.



T571 F90

Dormitory/Corridor Lock

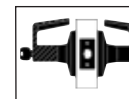
Deadlocking latch bolt by levers except when locked by push button in inside lever. Key in outside lever locks or unlocks outside lever and releases button. Closing door releases push button. Inside lever always free.



T581 F86

Storeroom Lock

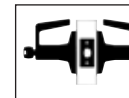
Deadlocking latch bolt by lever inside or key outside. Outside lever is inoperable. Inside lever always free.



T851

Storeroom (Electrified – Fail Safe)

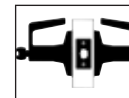
Latch bolt operated by lever from either side except when outer lever is electrically locked. When outer lever is locked (inoperable), latch bolt retracted by key in cylinder outside. Available in both 12 (.65 Amps) or 24 (.32 Amps) volt DC, continuous duty.



T881

Storeroom (Electrified – Fail Secure)

Deadlocking latch bolt operated by lever inside at all times. Outside lever inoperable until electrically unlocked, then latch bolt from either side. When outside lever is inoperable latch bolt retracted by key in cylinder outside. Available in both 12 (.65 Amps) or 24 (.32 Amps) volt DC, continuous duty.



T12

Dummy Trim

Single Trim-surface mounted rigid lever.



* **Caution:** Double cylinder locks on residences and any door, in any structure, which is used for egress are a life safety hazard in times of emergency and their use is not recommended. Installation should be in accordance with existing codes only.

Prices subject to change without notice

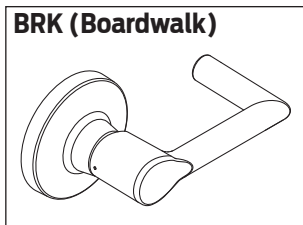
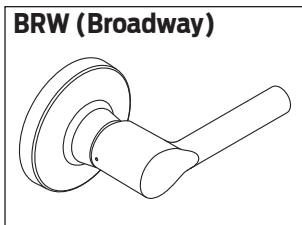
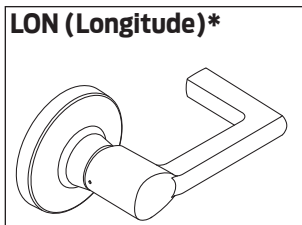
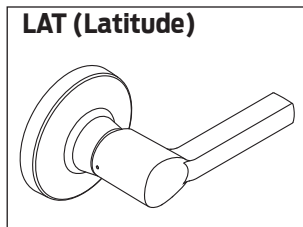
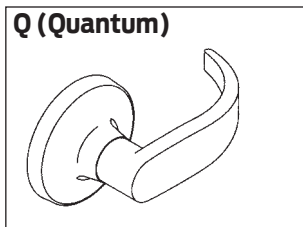
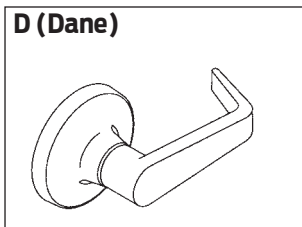
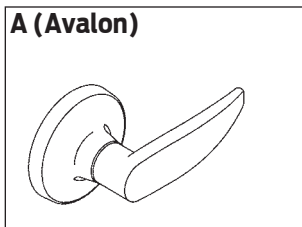
T-Series - Complete Locks

LOCKS

Grade 1

Cylindrical

T Series



Key-In-Lever

Function	Description	Designs and Finishes							
		A D Q LAT LON BRW BRK							
		626	643E	605	606	613	619	622	625
Single Cylinder Functions - Clutched Locked Levers									
T351PD	Closet								
T501PD	Entry								
T511PD	Entry/Office								
T521PD	Office								
T561PD	Classroom								
T571PD	Dormitory/Corridor								
T581PD	Storeroom								
T851PD ¹	Elec. Storeroom – Fail Safe								
T881PD ¹	Elec. Storeroom – Fail Secure								
Double Cylinder Functions - Clutched Locked Levers									
T381PD	Exit Security								
T411PD	Asylum								
CAUTION: Double cylinder locks on residences and any door in any structure which is used for egress are a life safety hazard in times of emergency and their use is not recommended. Installation should be in accordance with existing codes only.									
Non-Keyed Functions									
T101S	Passage								
T291S	Hospital/Grade School Privacy								
T301S	Privacy								
Dummy Trim									
T12	Half Dummy								

Notes: 1) 24V is standard. Power supply PS902 will be sufficient to operate an individual lock for multiple lock installation - see Power Supply section.

Prices subject to change without notice

T Series - Complete Cylinders		
Cylinder Mechanism	Part Number	Price Each
5 pin cylinder T series (except 381 IS, 571)	A23151-05	\$56.00
5 pin cylinder T series 381 IS	A23151-06	
5 pin cylinder T series 571	A23151-07	
6 pin cylinder T series (except 381 IS, 571)	A23161-05	
6 pin cylinder T series 381 IS	A23161-06	
6 pin cylinder T series 571	A23161-07	
7 pin cylinder T series (except 381 IS, 571)	A23171-05	71.00
7 pin cylinder T series 381 IS	A23171-06	
7 pin cylinder T series 571	A23171-07	

Conventional Cylinder Options		
Description	Specify	Add to Lock Price (per core)
5 pinned cylinder	P Suffix Example: T581P	STD
6 pinned cylinder	P6 Suffix Example: T581P6	N/C
7 pinned cylinder	P7 Suffix Example: T581P7	\$11.90
6 pinned Competitor keyway cylinders*	P6 Suffix Example: T581P6 (0 Bitted, KD, KA4 only)	
Schlage C (6 pin only)	CP6 Suffix Example: T581CP6 (All other keying, not listed above)	N/C

* Competitor keyways are furnished 0 bitted, unless otherwise specified. Not available Master keyed, except Schlage C. KD option is not available for locks containing 2 cylinders.

- Notes:**
- 1) Finishes: 606, 622*, & 626 only
 - 2) Specify keyway
 - 3) Cylinders are furnished G keyway, keyed differently unless otherwise specified.
 - 4) Restricted sections add \$10.80 to list price. See page 8 for list of standard keyways. All other keyways are considered restricted. Contact 877-671-7011 for availability.
 - 5) 622 Finish is available only on Allegion cylinders (P, P6, & P7) in C & G Keyways.

Small Format Interchangeable Core and Small Format Construction Core		
Description	Specify	Add to Lock Price (per core)
Small format core (BEST Style) *	G6/7 Suffix Example: T581G6D	\$46.00
Small format core (Falcon Style) *	GF6/7 Suffix Example: T581GF6D	
Small format construction core **	H Suffix Example: T581HD	46.00
Less Small format core	B Suffix Example: T581BD	N/C
Less Full Size core Available on DAN, AVA, QUA only	J Suffix Example: T581JD SCH x DAN	
Small format disposable core	BDC Suffix Example: T581BDC	N/C

* Keying must be specified
 ** Locks are assessed one non-refundable handling charge (50-231F) per core.

- Note:**
- 6) Control keys are not furnished with locks and must be ordered separately. See page 151 for details.
 - 7) 622 Finish is available only on SFIC (G) in C & G Keyways.

Prices subject to change without notice

T-Series - Cylinder Parts

LOCKS

Tailpieces for Conventional Cylinders

Cylinder	Std. Functions	T381 Inside	T571	Price
Falcon 6-pin* (10/pack)	A30730-001-00	A30730-003-00	A30730-002-00	\$23.80 pkg. of 10
Falcon 7-pin (10/pack)	A30730-002-00	A30730-004-00	A30730-006-00	\$23.80 pkg. of 10
Sargent 6 & 10 Line	030997-001-30	030997-003-30	030997-005-30	12.60
Yale 1801, 5801	030917-001-30	030917-003-30	030917-005-30	36.00 each
Corbin Russwin	030994-001-30	030994-003-30	030994-005-30	67.80

* Assa 65611 and 65661, Corbin Russwin 2000-034 and Schlage, including Primus, all use the Falcon 6-pin tailpiece.

Grade 1

IC Throw Members (Tailpieces)

Cylinder	Std. Functions	T381 Inside	T571	Price
Falcon 6-pin*	030739-000-30		030739-000-30	\$3.00
Falcon 6-pin*		030739-002-30		10.20
Falcon 7-pin*	030739-001-30		030739-001-30	3.00
Falcon 7-pin*		030739-003-30		3.00
Corbin Russwin 8000 and Sargent 6300	031468-000-30	031468-002-30	031468-004-30	7.70
Corbin Russwin 8000-7 (7-pin)	031468-001-00	031468-003-30	031468-005-30	7.70
Medeco 32 Series & ASSA	A30988-000-00	A30988-002-00	A30988-000-00	6.70
Schlage Full Size, Including Primus	031467-000-30	031467-002-30	031467-004-30	15.80
Yale and Medeco 31 Series, 6-pin	030917-001-30	030917-003-30	030917-005-30	36.00

* Arrow, Best, InstaKey, Kaba Peaks, Keymark, KSP and Schlage small format cores all use the Falcon configuration.

T Series

Prices subject to change without notice

Specify cylinder requirements.

Note: Locks furnished with Falcon's standard "G" keyway cylinder or prepared for Falcon interchangeable core unless otherwise specified.

With Cylinder

Falcon IC

- 6-pin
- 7-pin

Falcon Conventional

- 6-pin *specify keyway*
- 7-pin *specify keyway*

Competitors' Keyways - 6-pin Conventional Cylinder*

- Corbin - 60, 0 Bitted, KD
- Russwin - D1, 0 Bitted, KD
- Sargent - LA, 0 Bitted, KD (Also accepts LB, LC keys)
- Schlage - C, 0 Bitted, KD, KA4
- Schlage - E, 0 Bitted
- Yale - 8 (Para), 0 Bitted, KD

* Generic replacement cylinders with competitors' keyways.

Less Cylinder - Prepared to Accept**

Falcon IC

Falcon Conventional

- 6-pin
- 7-pin

Unit / Mono Lock Cylinders

- Falcon Standard (R Series old small plug) 6-pin
- Corbin Russwin Unit Lock (2000-052) - Master Ring not available
- Medeco Unit Lock Retrofit Cylinder (20W5005) - Corbin Russwin Unit Lock
- Medeco Unit Lock Retrofit Cylinder (20W0500) - Yale 6200 Mono Lock
- Yale Mono Lock (1801) and later models

Competitors' Conventional Cylinders

- Assa (65611 or 65661) 6-pin
- Corbin Russwin (2000-034 / CL3400) 6-pin - Master Ring not available
- Medeco (20W200V3) 6-pin - tailpiece supplied by Medeco - Falcon / Schlage style
- Peaks (Kaba) 6-pin
- Primus (Schlage) 6-pin
- Sargent (6, 7 & 10 Line) 6-pin - Keso not available
- Schlage 6-pin
- Yale (1801) 6-pin - Bicentric not available

Competitors' IC

- Arrow 6, 7-pin
- Assa (70600IC & V70600IC) 6-pin
- Best 6, 7-pin
- Corbin Russwin (8000) 6-pin
- Corbin Russwin (8000-7) 7-pin
- InstaKey
- Medeco 31 Series 6-pin
- Medeco 32 Series 6-pin
- Medeco Keymark 6, 7-pin
- Peaks (Kaba) 6, 7-pin
- Primus (Schlage) 6-pin
- Sargent (6300) 6-pin
- Schlage 6-pin
- Yale (1210) 6-pin

** Proper tailpiece supplied unless otherwise noted.

Prices subject to change without notice

Compatibility with Competitors' Standard Cylinders

The T Series is furnished with Falcon's standard "G" keyway cylinder unless otherwise specified, and accepts the following competitors' standard 6-pin cylinders.

- Assa (65611 or 65661) 6-pin
- Corbin Russwin (2000-034 / CL3400) 6-pin - Master Ring not available
- Medeco (20W200V3) 6-pin - tailpiece supplied by Medeco - Falcon / Schlage style
- Peaks (Kaba) 6-pin
- Primus (Schlage) 6-pin
- Sargent (6, 7 & 10 Line) 6-pin - Keso not available
- Schlage 6-pin
- Yale (1801) 6-pin - Bicentric not available

Compatibility with Competitors' I-Cores



Falcon's standard interchangeable core option. Specify 6 or 7-pin. Locksets with this option also accept Schlage SFIC, Arrow (including Flex Core), Best (including PKS & Peaks), InstaKey, Kaba Peaks, Keymark and KSP cores.

The following larger format interchangeable cores will work with the T Series locksets when lockset is so specified:



Assa old and new style
Specify IC-AS



Corbin Russwin 8000 or 8000-7
Specify IC-CR6 or IC-CR7



Medeco 32 Series 6-pin
Specify IC-ME



Medeco 31 31 Series 6-pin
Specify IC-YA6



Sargent 6300
Specify IC-SA



Schlage 6-pin including Primus
Specify IC-SC



Yale 6-pin Medeco 31 Series
Specify IC-YA6

Prices subject to change without notice

Locks Less Components		
Description	Specify	Deduct from Lock Price
Less each lever	LLL Example: T581PD LLL/DAN	\$24.60
Less standard cylinder	L suffix Example: T581LD DAN	56.00
Less latch	LLL Example: T581PD DAN 626 LLL/5164	38.40
Less strike	LLL Example: T581PD DAN 626 98535 LLL	9.20

Non-Standard Door Thickness		
Description	Specify	Add to Lock Price
Door thickness 1-3/8" to 1-3/4"	A30775-000-00 for thin door shims	\$12.80

Note: 1) T Series lockset will accommodate up to a 2-1/8" thick door prep standard.

Tactile Warning		
Description	Specify	Per Lever Lock Price
Abrasive Strip*	Preface the design code with 6 Example: 6DA for DAN	\$60.20

* Not available in 613 or on Latitude, Longitude, Broadway and Boardwalk.

Lead Lining		
Description	Specify	Add to Lock Price
Lead lining	Preface the design code with 9 Example: 9DA for DAN	\$276.00

Note: 3) Lead Lining is not available on Latitude, Longitude, Broadway, & Boardwalk levers.

Allegion Connect		
Suffix		List Add
CON	Cross-category solution using common interconnect components for electrified options. Available on the T851 and T881 functions. <i>For wire harness options refer to Electronic Power Supplies Section.</i>	N/C

Latches with Locks					
Backset	Description	HSG Dia	Specify		Add to Lock Price
			Springlatch	Deadlatch	
2-3/8"	Square corner, 1" x 2-1/4"	1"	23981111	23981160	N/C
2-3/4"	Square corner, 1-1/8" x 2-1/4", std.		23981137	23981145	
2-3/4"	Anti-friction fire door latch Square corner, 1-1/8" x 2-1/4", 3/4" throw		-	23981152	\$187.00
3-3/4"	Square corner, 1-1/8" x 2-1/4"		24074387	23981129	N/C
5"	Backset extension Link			43-005	34.10

Part Number	Description	Price
24483760	latch spacer for hollow door applications	\$5.30

Prices subject to change without notice

T-Series - Latches and Strikes

LOCKS

Strikes with Locks			
Description	Lip Length	Specify	Add to Lock Price
ANSI, 1-1/4" x 4-7/8" standard	1-3/16"	5164	N/C
Square corner, full lip 1-5/8" x 2-1/4"	1"	01-049	N/C
1/4" Radius round corner, full lip 1-5/8" x 2-1/4"	1"	01-048	N/C
Square Corner, T-Strike, 1-1/8" x 2-3/4"	1-5/16"	5185	N/C
ANSI dust box 1" deep, steel	-	005099-000-30	N/C
ANSI 1-1/4" x 4-7/8"	7/8"	5161	N/C
Radius T Strike, 1-1/8" x 2-3/4"	9/16"	5185-4	N/C

Latches sold separate Finishes: 606, 613, 630

Grade 1

Specify		Backset	Description	HSG Dia	List Price
Springlatch	Deadlatch				
23981111	23981160	2-3/8"	Square corner, 1" x 2-1/4"	1"	\$95.60
23981137	23981145	2-3/4"	Square corner, 1-1/8" x 2-1/4", std.		73.70
-	23981152	2-3/4"	Anti-friction fire door latch Square corner, 1-1/8" x 2-1/4", 3/4" throw		282.00
24074387	23981129	3-3/4"	Square corner, 1-1/8" x 2-1/4"		88.40
	43-005	5"	Backset extension Link		34.10

Cylindrical

Strikes sold separate

T Series

Description	Lip Length	Specify	List Price
ANSI, 1-1/4" x 4-7/8" standard	1-3/16"	005164-000	\$14.20
Square Corner, T-Strike, 1-1/8" x 2-3/4"	1-1/8"	A05185-000	4.40
1/4" Radius round corner, full lip 1-5/8" x 2-1/4"	1"	Q001-048	4.40
Square corner, full lip 1-5/8" x 2-1/4"		Q001-049	
ANSI dust box 1" deep, steel	-	005099-000-30	10.40
ANSI 1-1/4" x 4-7/8"	7/8"	005161-000	23.90
Radius T Strike, 1-1/8" x 2-3/4"	9/16"	A05185-004	29.90

Shaded items are standard components and are furnished with locks unless otherwise specified.

Prices subject to change without notice

LOCKS
Grade 1
Cylindrical
T Series

Levers, Conventional Cylinder			
Part Number	Description	List Price	
030740-000	Avalon lever, closed	\$50.60	
030740-001	Avalon lever, open		
Q330-430 BRK	Boardwalk lever, closed		
Q330-431 BRK	Boardwalk lever, open		
Q330-430 BRW	Broadway lever, closed		
Q330-431 BRW	Broadway lever, open		
030742-000	Dane lever, closed		
030742-001	Dane lever, open		
Q330-430 LAT	Latitude lever, closed		
Q330-431 LAT	Latitude lever, open		
Q330-430 LON	Longitude lever, closed		
Q330-431 LON	Longitude lever, open		
030744-000	Quantum lever, closed		
030744-001	Quantum lever, open		
030929-001	Lever, Avalon open (Corbin Russwin, Medeco, Yale unit)		60.30
030929-002	Lever, Dane open (Corbin Russwin, Medeco, Yale unit)		
030929-003	Lever, Quantum open (Corbin Russwin, Medeco, Yale unit)		
030996-001	Lever, Avalon open (Sargent 6, 7 & 10 line, Yale)	67.70	
030996-002	Lever, Dane open (Sargent 6, 7 & 10 line, Yale)		
030996-003	Lever, Quantum open (Sargent 6, 7 & 10 line, Yale)		
A30753-00*	Inside lever w/set screw, closed	41.30	
A30753-01*	Inside lever w/set screw, open		
A31544-00*	Inside lever w/set screw, closed 851/881	104.00	

Notes: 1) When ordering levers or roses, specify finish.
 2) Competitor prepped levers are not available in 622, 619, & 643e Finish except Schlage options.

Levers, Small and Large Format Interchangeable Core		
Part Number	Description	List Price
030740-002	Lever, Avalon SFIC	\$50.60
Q330-432 BRK	Lever, Boardwalk SFIC	
Q330-432 BRW	Lever, Broadway SFIC	
030742-002	Lever, Dane SFIC	
Q330-432 LAT	Lever, Latitude SFIC	
Q330-432 LON	Lever, Longitude SFIC	
030744-002	Lever, Quantum SFIC	108.00
030926-001	Lever, Avalon IC, ASSA, Medeco, Yale	
030926-002	Lever, Dane IC, ASSA, Medeco, Yale	
030926-003	Lever, Quantum IC, ASSA, Medeco, Yale	108.00
030927-001	Lever, Avalon IC, Schlage	
Q330-433 BRK	Lever, Boardwalk FSIC	
Q330-433 BRW	Lever, Broadway FSIC	
030927-002	Lever, Dane IC, Schlage	
Q330-433 LAT	Lever, Latitude FSIC	
Q330-433 LON	Lever, Longitude FSIC	105.00
030927-003	Lever, Quantum IC, Schlage	
030928-001	Lever, Avalon IC, Corbin Russwin	
030928-002	Lever, Dane IC, Corbin Russwin	112.00
030928-003	Lever, Quantum IC, Corbin Russwin	
030930-001	Lever, Avalon IC, Sargent	
030930-002	Lever, Dane IC, Sargent	
030930-003	Lever, Quantum IC, Sargent	

Roses			
Part Number	Description	List Price	
		626 643E	605 606 613 619 622
030706-002	Rose cover	\$24.40	\$27.40

Prices subject to change without notice



T-Series - Levers and Parts

LOCKS

Grade 1

Cylindrical

T Series

Miscellaneous Parts		
Part Number	Description	List Price
022104-000-30	Short Slide Catch	0.92
022105-000-30	Slide Catch	2.60
022106-002-55	Retractor	3.20
022108-000-60	Retractor Spring	2.00
022112-000-30	Retainer, Retractor Spring	2.00
022986-001-50	Retractor Insert	0.64
030654-000-625	Emergency Release Cap	2.40
030654-000-626	Emergency Release Cap	2.90
030703-000-30	Inner Spindle, Passage and Button Functions	26.80
030704-002-30	Lever Stop Plate	3.80
030709-000-60	Clutch Spring	0.44
030712-000-30	Mounting Plate, Inner	3.70
030712-001-30	Mounting Plate, Outer	3.30
030722-000-30	Dogging Bar	3.20
030724-000-30	Lever Retaining Ring	0.64
030726-000-30	Flanged Nut	7.50
030726-007-30	Flanged Nut, Inner Electrified	10.50
030728-000	Push Button Cap	9.90
030729-000-70	Outer Button Mount	1.30
030733-000-55	Spindle Inner	3.40
030787-000-70	Button Spacer	2.50
M204-198	Drill guide for locating 5/16" thru-bolt holes	15.70
031516-000-70	Solenoid, Fail secure T881	388.00
031511-000-30	Hex Nut, 1/-28 Special	8.30
031514-000-30	Solenoid Mount	10.70
030733-002	Inner Spindle, T851/881	42.20
1387	Hex Key – 1/8" with Looped Handle	15.80
1388	Hex Wrench	36.60
A30746-000-00	Hub & Housing Assembly	15.70
A30747-000-00	Hub & Plate Assembly	14.40
A30749-060-00	Insert & Spindle Assembly, Outer, 6 Pin	102.00
A30749-070-00	Insert & Spindle Assembly, Outer, 7 Pin	61.20
A30906-001-00	Spindle & Driver Assembly, IC	57.50
A30775-000-00	Door thickness 1-3/8" to 1-3/4" Door Shims	12.80
A30906-060-00	Spindle & Driver Assembly, 6 Pin	57.50
A30906-070-00	Spindle & Driver Assembly, 7 Pin	
Q330-270	T Lock Spring Cage Kit (Inside for T411 and outside for all functions except T101, T291, T301)	41.30
Q330-271	T Lock Spring Cage Kit (Inside- all functions except T411 and inside & outside for T101, T291, T301)	
030718-000-30	Key Spindle Assembly T501, T511 T521, T851, T881 STD and T381 Outside STD	4.80
030718-001-30	Key Spindle Assembly T501, T511 T521, T851, T881 IC and T381 Outside IC	4.80
A30913-000-00	Key Spindle Assembly T381 Inside STD	173.00
A30913-001-00	Key Spindle Assembly T381 Inside IC	
A30780-000-00	Key Spindle Assembly T351, T561 STD	173.00
A30780-001-00	Key Spindle Assembly T351, T561 IC	173.00
A30915-000-00	Key Spindle Assembly T571 STD	83.50
A30915-001-00	Key Spindle Assembly T571 IC	81.90
030732-000-30	Key Spindle Assembly T581 STD	5.10
030732-001-30	Key Spindle Assembly T581 IC	5.10

Prices subject to change without notice

Chassis Assemblies			
Part Number			
Conventional Cylinder	IC Core	Description	List Price
A30761-000-00		T101 Chassis	\$87.00
A30765-000-00		T301 Chassis, T291 Chassis	150.00
A30758-000-00	A30758-001-00	T351/561 Chassis	
A30769-000-00	A30769-001-00	T411 Chassis	
A30773-000-00	A30773-001-00	T501 Chassis	
A30756-000-00	A30756-001-00	T511 Chassis	
A30748-000-00	A30748-001-00	T521 Chassis	
A30760-000-00	A30760-001-00	T581 Chassis	
A30767-000-00	A30767-001-00	T381 Chassis	284.00
A30759-000-00	A30759-001-00	T571 Chassis	811.00
A31517-000-00	A31517-001-00	T851 Chassis	
A31518-000-00	A31518-001-00	T881 Chassis	

Screws				
Part Number	Description	Finishes	Size	List Price
021164-016	ANSI strike screws	606, 613, 622, 626, 630	12-24 x 1" combo	\$0.58
024416-012	Latch and strike screws	606, 613, 622, 626, 630	8-32 x 3/4" combo	0.34
030755-005-30	Type D screw	-	8-32 x 5/16"	0.44
030831-004-30	Set screw for standard lever	-	1/4 x 20 x 1/4"	0.60
031515-004-30	Fillister Head Screw	-	4-40 x 1/4"	2.30
031531-006-30	Set Screw for electrified screw	-	1/4-20 x 3/8"	0.52
031533-006-30	Self Tap Screw	-	8-32 x 3/8"	0.46
002770-016-30	Mounting Screws	-	10-32 x 1"	0.50

LOCKS

Grade 1

Cylindrical

T Series

Prices subject to change without notice

LOCKS

Grade 1

Cylindrical

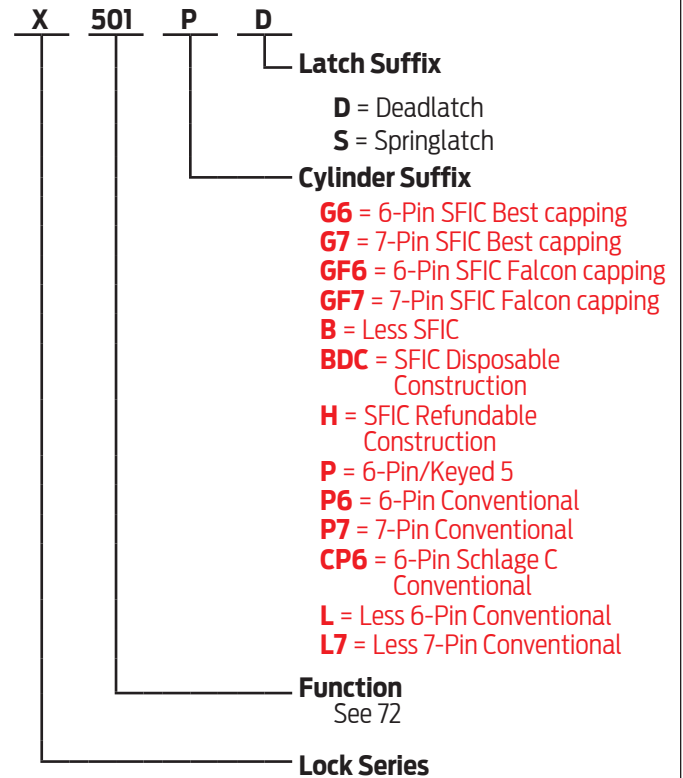
T Series

Prices subject to change without notice

Table of Contents

Function Chart 72
Complete Lock Pricing 73
Options & Parts
 Latches 74-75
 Strikes 74-75
 Cylinders 76
 Knobs 77
 Roses 77
 Misc. Parts 77
 Screws 77
 Screw Packs 77
 Lock Less Components 78
 Tactile Warning 78
 Stainless Steel/Corros. Resist. Chassis 78
 Non-Standard Door Thickness 78

Product Identification



SFIC = Small Format (Best® Style) Interchangeable Core

Finish Codes and Descriptions

Code		Description
605	(US3)	Bright Brass
606	(US4)	Satin Brass
613	(US10B)	Oil Rubbed Bronze
625	(US26)	Bright Chrome
626	(US26D)	Satin Chrome
630	(US32D)	Satin Stainless

Standard Features - Furnished unless otherwise specified



Certification	ANSI A156.2, Series 4000, Grade 1, UL Listed for 3-Hour fire door
Latch	1-1/8" x 2-1/4", Square corner faceplate, 1" housing diameter, 1/2" throw, 2-3/4" backset
Strike	1-1/4" x 4-7/8", ANSI, Square corner, no box
Cylinder	6-Pin, Solid brass, Keyed 5-Pin, Falcon G keyway, Keyed different (KD)
Door Range	1-3/8" - 2-1/8" standard
Keys	Two, Nickel silver cut keys per lock, Falcon G keyway
Backset	2-3/4"

Prices subject to change without notice

X-Series • Functions

LOCKS

Grade 1

Cylindrical

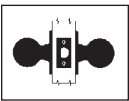
X Series

ANSI A156.2 Series 4000 Grade 2

Key-In-Knob Locks

FALCON ANSI

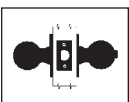
X101 F75



Passage/Closet Latchset

Latch bolt by knobs at all times.

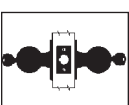
X301 F76



Privacy Lock

Latch bolt by knobs. Outside locked by push button in inside knob. Rotating inside knob or closing door releases push button. Emergency release in outside knob. Emergency Release Tool M504-271.

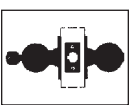
X411 F87



Asylum Lock*

Deadlocking latch bolt by key from either side. Both knobs rigid.

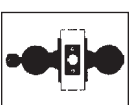
X501 F82



Entry Lock

Push button locking. Button on inside locks outside knob until unlocked by key or by rotating inside knob.

X511 F109



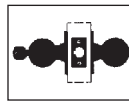
Entry/Office Lock

Turn/push button locking. Pushing and turning button locks outside knob requiring use of key until button is manually unlocked. Push button locking. Pushing button locks outside knob until unlocked by key or by turning inside knob.

Key-In-Knob Locks

FALCON ANSI

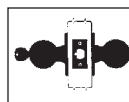
X521 F81



Office Lock

Turn button locking. Turning button locks outside knob requiring use of key until button is manually unlocked. Inside knob always free.

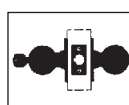
X561 F84



Classroom Lock

Deadlocking latch bolt by knobs. Outside knob is locked by key in outside knob. Inside knob is always free.

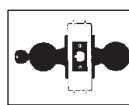
X571 F90



Dormitory Lock

Deadlocking latch bolt by knobs except when locked by push button in inside knob. Key in outside knob locks or unlocks outside knob and releases button. Closing door releases push button. Inside knob always free.

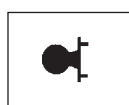
X581 F86



Storeroom Lock

Deadlocking latch bolt by inside knob or key outside. Outside knob rigid.

X12

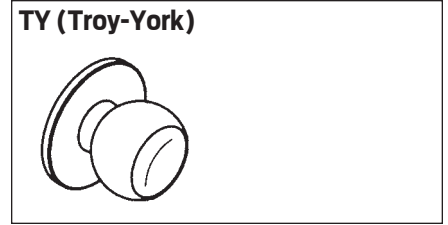
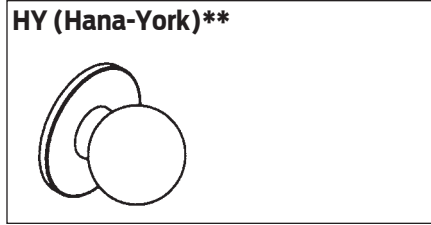
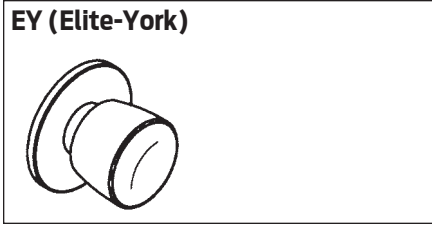
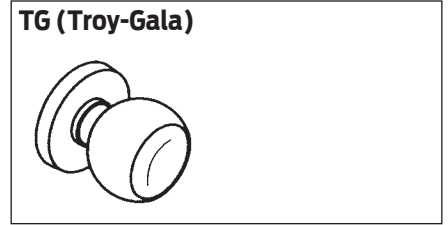
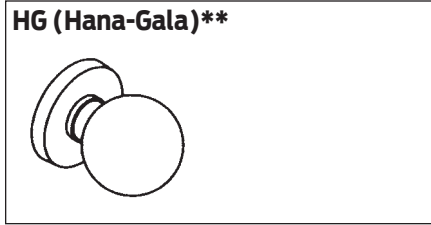
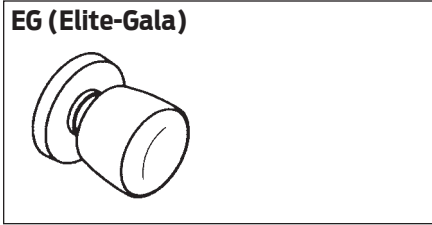


Single Dummy Trim

Single Trim—Surface mounted.

* **Caution:** Double cylinder locks on residences and any door, in any structure, which is used for egress are a life safety hazard in times of emergency and their use is not recommended. Installation should be in accordance with existing codes only.

Prices subject to change without notice



Key-In-Knob		Designs and Finishes					
		EG EY HG HY TG TY				TG TY	
Function	Description	626	605	606	613	625	630
Single Cylinder Functions							
X501PD	Entry	\$660.00					\$672.00
X511PD	Entry/Office						
X521PD	Entry/Office						
X561PD	Classroom						
X571PD	Dormitory						
X581PD	Storeroom						
Double Cylinder Functions							
X411PD	Asylum	764.00				776.00	776.00
CAUTION: Double cylinder locks on residences and any door in any structure which is used for egress are a life safety hazard in times of emergency and their use is not recommended. Installation should be in accordance with existing codes only.							
Non-Keyed Functions							
X101S	Passage	\$474.00				\$486.00	\$486.00
X301S	Privacy	584.00				596.00	596.00
X12	Single Dummy Trim	212.00				218.00	218.00

Notes: 1) Hana knob not available in IC.
2) Specify handing for keyed functions

Prices subject to change without notice

X-Series • Latches and Strikes

LOCKS

Latches with Locks

Finishes 606, 613, 630

Backset	Description	Specify	Add to Lock Price
2-3/4"	Square corner, 1 1/8" x 2-1/4", std.	98535	N/C
	9/16" radius corner, 1-1/8" x 2-1/4"	98538	
	3/4" proj. square corner, 1-1/8" x 2-1/4"	98835S**	\$206.00
	9/16" radius x 3/4" proj., 1-1/8" x 2-1/4"	98838S**	
	Square corner, 1" x 2 1/4"	92330	
2-3/8"*	1/4" Radius round corner, 1" x 2-1/4"	92331	19.30
	Square corner, 1" x 2-1/4"	92320	19.30
5"	1/4" Radius round corner, 1" x 2-1/4"	92321	
	5"	Backset Link for 2-3/4" Backset Latch	A22161-005-00
5"	Stainless Steel backset link for 2-3/4" backset latches	A22161-055-00	130.00

* 2-3/8" backset is furnished as a 1" faceplate standard.

** Only available as a deadlatch.

Note: 1) Stainless steel latch options include: 98535S, 98538S, 98835S, 98838S

Grade 1

Strikes with Locks

Description	Lip Length	Specify	Add to Lock Price
ANSI, 1-1/4" x 4-7/8" standard	1-3/16"	5164	N/C
Square corner, full lip 1-5/8" x 2-1/4"	1"	01-049	
1/4" Radius round corner, full lip 1-5/8" x 2-1/4"	1"	01-048	
Square Corner, T-strike, 1-1/8" x 2-3/4"	1-5/16"	5185	\$114.00
Vermin proof strike for ships, 9/16" radius		5133-4	
2 3/4" high T strike, ANSI A115.3	1	5183	N/C
2 3/4" high T strike, ANSI A115.3	1	5183-4	
2 3/4" high T strike, ANSI A115.3	9/16"	5185-4	
2 3/4" high T strike, ANSI A115.3	1-9/16"	5186	
2 3/4" high T strike, ANSI A115.3	1-13/16"	5187	
2 3/4" high T strike, ANSI A115.3	2-1/16"	5188	
2 3/4" high T strike, ANSI A115.3	2-5/16"	5189	
ANSI dust box 1" deep, steel	-	005099-000-30	
Dust box, 1/2" deep, use with 2-3/4" strike	-	012191-003-70	
Dust box, 1/2" deep, stainless steel	-	012191-000-60	
ANSI, 1-1/4" x 4-7/8"	7/8"	5161	N/C

Cylindrical

X Series

Latches sold separate

Finishes: 606, 613, 630

Latch Face	Backset		List Price
	2-3/8"	2-3/4"	
1" Spring Latch	A92320-000	A92330-000	\$63.00
1" Deadlatch	A92320-00D	A92330-00D	
1" Spring Latch – 1/4" Radius	A92321-000	A92331-000	
1" Deadlatch – 1/4" Radius	A92321-00D	A92331-00D	
1-1/8" Spring Latch *	-	A98535-000	
1-1/8" Deadlatch *		A98535-00D	
1-1/8" Spring Latch – 9/16" Radius *		A98538-000	
1-1/8" Deadlatch – 9/16" Radius *		A98538-00D	
1-1/8" Deadlatch – 3/4" Projection *		A98835-0SD	
1-1/8" Deadlatch – 9/16" Rad. X 3/4" Proj. *		A98838-0SD	237.00
5" Backset Link for 2-3/4" Backset Latch		A22161-005-00	106.00

Note: 1) Marine non-ferrous mechanism latches can be ordered by adding "OSD" for Deadlatch or "OOS" for Springlatch

2) These latches conform to the standards set forth within ANSI/BHMA 156.2, 156.5, & 156.15 and are suitable for marine applications.

3) Marine latches have a \$24.80 add to list price

Shaded items are standard components and are furnished with locks unless otherwise specified.

Prices subject to change without notice

Latches and Strikes - X-Series

Strikes sold separate Finishes: 605, 606, 613, 625, 626, 629, 630			
Description	Lip Length	Specify	List Price
ANSI, 1-1/4" x 4-7/8"	1-3/16"	005164-000	\$14.20
1/4" Radius round corner, full lip 1-5/8" x 2-1/4"	1"	Q001-048	4.40
Square corner, full lip 1-5/8" x 2-1/4"		Q001-049	
Square Corner, T-strike, 1-1/8" x 2-3/4"	1-1/8"	A05185-000	29.90
2-3/4" high T strike, ANSI A115.3	9/16"	A05185-004	
2-3/4" high T strike, ANSI A115.3	1"	A05183-000	50.10
2-3/4" high T strike, ANSI A115.3	1-9/16"	A05183-004	
2-3/4" high T strike, ANSI A115.3	1-13/16"	A05187-000	55.90
2-3/4" high T strike, ANSI A115.3	2-1/16"	A05188-000	
2-3/4" high T strike, ANSI A115.3	2-5/16"	A05189-000	77.10
Vermin proof strike for ships, 9/16" radius		A05133-004-630	
ANSI dust box 1" deep, steel	-	005099-000-30	10.40
ANSI dust box 1" deep, stainless steel	-	005099-000-60	3.30
Dust box, 1/2" deep, stainless steel		012191-000-60	10.40
Dust box, 1/2" deep, use with 2-3/4" strike		012191-003-70	6.30
ANSI, 1-1/4" x 4-7/8"	7/8"	005161-000	2.40

LOCKS

Grade 1

Cylindrical

X Series

Prices subject to change without notice

X-Series - Cylinder Options

LOCKS

Grade 1

Cylindrical

X Series

X-Series Complete Cylinders		
Cylinder Mechanism	Part Number	Price Each
5 pin cylinder X411, 501, 511, 521, 581 E & T	A23152	\$56.00
5 pin cylinder X411, 501, 511, 521, 581 H	A23152-02	
5 pin cylinder X561 – E and T designs	A23151	
5 pin cylinder X561 – H designs, 571 – E & T	A23151-02	
5 pin cylinder X571 – H designs	A23151-03	
6 pin cylinder X411, 501, 511, 521, 581 E & T	A23162	
6 pin cylinder X411, 501, 511, 521, 581 H	A23162-02	
6 pin cylinder X561 – E and T designs	A23161	
6 pin cylinder X561 – H designs, 571 – E & T	A23161-02	
6 pin cylinder X571 – H designs	A23161-03	
7 pin cylinder X411, 501, 511, 521, 581 H	A23172-02	71.00
7 pin cylinder X561 – H designs	A23171-01	
7 pin cylinder X571 – H designs	A23171-02	

- Notes:**
- 1) Cylinders are furnished G keyway, keyed differently unless otherwise specified.
 - 2) Finishes: 606 and 626 only.
 - 3) Specify keyway
 - 4) Restricted sections add \$10.80 to list price. See page 8 for list of standard keyways. All other keyways are considered restricted. Contact 877-671-7011 for availability.

Conventional Cylinder Options		
Description	Specify	Add to Lock Price (per core)
5 pinned cylinder	P Suffix Example: X581P	STD
6 pinned cylinder	P6 Suffix Example: X581P6	N/C
7 pinned cylinder	P7 Suffix Example: X581P7	\$11.90
6 pinned Competitor keyway cylinders*	P6 Suffix Example: X581P6 (0 Bitted, KD, KA4 only)	
Schlage C (6 pin only)	CP6 Suffix Example: X581CP6 (All other keying, not listed above)	N/C

* Competitor keyways are furnished 0 bitted, unless otherwise specified. Not available Master keyed, except Schlage C. KD option is not available for locks containing 2 cylinders.

Small Format Interchangeable Core and Small Format Construction Core		
Description	Specify	Add to Lock Price (per core)
Small format core (BEST Style) *	G6/7 Suffix Example: X581G6D	\$46.00
Small format core (Falcon Style) *	GF6/7 Suffix Example: X581GF6D	
Small format construction core **	H Suffix Example: X581HD	46.00
Less Small format core	B Suffix Example: X581BD	N/C
Small format disposable core	BDC Suffix Example: X581BDC	N/C

* Keying must be specified
 ** Locks are assessed one non-refundable handling charge (50-231F) per core.

Note: 5) Control keys are not furnished with locks and must be ordered separately. See page 151 for details

Prices subject to change without notice

Knobs					
Part Number	Description	List Price			
		626	605	606	613 625 630
022258-007	Knob, Troy – Closed	\$83.30	\$86.30		
022258-008	Knob, Troy – Emergency				
022258-009	Knob, Troy – SFIC				
022290-007	Knob, Troy – Button/Cylinder	79.20	82.20		
022950-007	Knob, Hana – Closed				
022950-008	Knob, Hana – Emergency				
022953-007	Knob, Hana – Button/Cylinder	71.70	74.70		
022980-007	Knob, Elite – Closed				
022980-008	Knob, Elite – Emergency				
022980-009	Knob, Elite – SFIC				
022981-007	Knob, Elite – Button/Cylinder				

Note: 1) Hana and Elite not available in 630

Roses					
Part Number	Description	List Price			
		626	605	606	613 625 630
022920-000	Rose, Gala	\$31.50	\$34.50		
024030-000	Rose, York				

Miscellaneous Parts		
Part Number	Description	List Price
012138-000	Push button cap (X301/X501/X571)	\$2.80
012137-000	Turn button cap (X511/X521)	2.80
012136-000	Button mount For Elite & Troy knobs (X501/X521/X301/X511)	14.80
012236-000	Button mount For Elite & Troy knobs (X571)	14.80
012966-000	Button mount For Hana knobs (X501/X521/X301/X511)	14.80
012967-000	Button mount For Hana knobs (X571)	14.80
012172-000-30	X Lock Spanner Wrench	2.60

Note: Need to specify finish

Screws				
Part Number	Description	Finishes	Size	List Price
024416-012	Latch and strike screws	606, 613, 626, 630	8-32 x 3/4" combo	\$0.34
021164-016	ANSI strike screws	606, 613, 626, 630	12-24 x 1" combo	0.58

Screws packs				
Part Number	Description	Specify Finish	Contents	List price
A03519-000	Screw pack	605, 613, 626	024416-012 (2 ea)	\$3.60

Prices subject to change without notice

X-Series - Options

LOCKS

Locks Less Components		
Description	Specify	Deduct from Lock Price
Less each knob	LLL for knob design Example: X581PD LLL/EG	\$13.00
Less standard cylinder	L suffix Example: X581LD EG	56.00
Less latch	LLL for latch Example: X581PD EG 626 LLL/5164	55.70
Less strike	LLL for strike Example: X581PD EG 626 98535 LLL	13.30

Grade 1

Tactile Warning		
Description	Specify	Per Knob Lock Price
Abrasive - 6 Prefix ¹	Preface the design code with 6 Example: 6EG for ELITE GALA	\$79.40
Knurled - 8 Prefix ²	Preface the design code with 8 Example: 8EG for ELITE GALA	144.00

Cylindrical

Note: 1) Not available in 613
2) Outside knobs only and not available in 630

X Series

Stainless Steel / Corrosion Resistant Chassis		
Description	Specify	Add to Lock Price
SS – Stainless steel/non-ferrous mechanism	After the function code as "SS" Example: X581 SS PD TG 630	\$251.00

Note: 1) When ordering SS you will get the A98538 OSD Deadlatch standard.

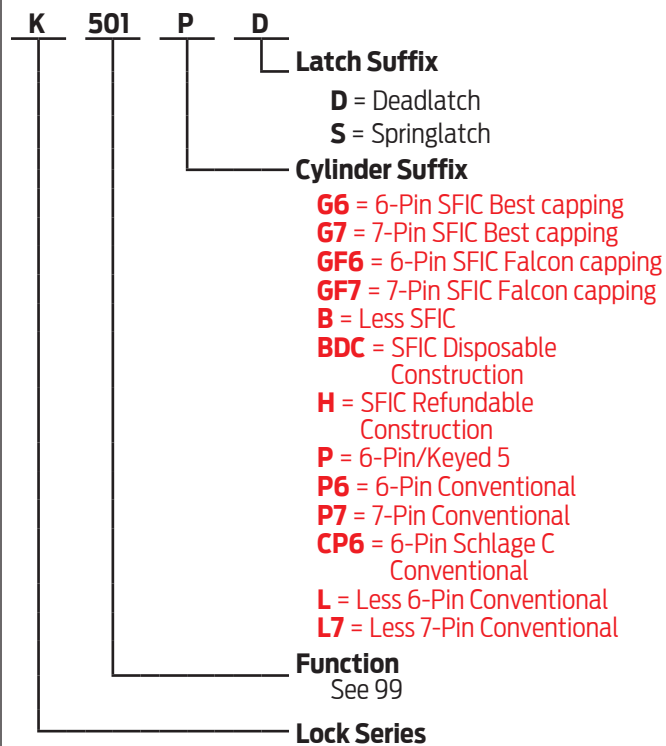
Non-Standard Door Thickness		
Description	Specify	Add to Lock Price
Door thickness over 2-1/8" - 2-1/4"	Door thickness and how door is extended Example: 2-1/4", EE	\$16.20

Prices subject to change without notice

Table of Contents

Function Charts **80**
 Levers 80
Complete Lock Pricing **81**
 Levers81
Options **82**
 Conventional Cylinder Options.....82
 Latches 83
 Strikes 83
 Miscellaneous Parts.....84

Product Identification



SFIC = Small Format (Best® Style) Interchangeable Core

Finish Codes and Descriptions

Code		Description
613	(US10B)	Oil Rubbed Bronze
626	(US26D)	Satin Chrome

Standard Features - Furnished unless otherwise specified



Certification	ANSI A156.2, Series 4000, Grade 1, UL Listed for 3-Hour fire door
Latch	1-1/8" x 2-1/4", Square corner faceplate, 1" housing diameter, 1/2" throw, 2-3/4" backset
Strike	1-1/4" x 4-7/8", ANSI, Square curved lip corner, no box
Cylinder	6-Pin, Solid brass, keyed 5-pin, Falcon G keyway, Keyed different (KD)
Door Range	1-3/8" - 2-1/4" standard, come set for a 1-3/4" thick door standard
Keys	Two, Nickel silver cut keys per lock, Falcon G keyway

Prices subject to change without notice

K-Series - Lever Functions

LOCKS

ANSI A156.2, Series 4000 Grade 1

Key-In-Lever Locks

FALCON ANSI &
Function

K101 F75

Passage Latchset

Latch bolt by levers at all times.



K301 F76

Privacy Lock

Latch bolt by levers. Outside lever is locked by push button in inside lever. Rotating inside lever or closing door release push button and frees outside lever. Inside lever is always free. Emergency release in outside lever unlocks door.



K501 F82

Entry Lock

Push Button Locking. Button on the inside locks outside lever until unlocked by key or by rotating inside lever. Inside lever always free. Deadlocking latch bolt.



K511 F109

Entry/Office Lock

Deadlocking latch bolt by levers. Turn/push button locking. Pushing and turning button locks outside lever, requiring use of a key for unlocking the door until button is manually unlocked. Pushing button locks outside lever until unlocked by key or by rotating inside lever. Inside lever is always free.



Key-In-Lever Locks

FALCON ANSI &
Function

K561 F84

Classroom Lock

Deadlocking latch bolt by levers. Outside lever is locked by key in outside lever. Inside lever is always free.



K571

Corridor Lock

Deadlocking latch bolt. Push Button Locking. Button on the inside locks outside lever until unlocked by key or by rotating inside lever. Closing the door releases button. Inside lever always free. Key will lock and unlock from the outside.



K581 F86

Storeroom Lock

Deadlocking latch bolt by lever inside or key outside. Outside lever is always locked. Inside lever is always free.



K12

Dummy Trim

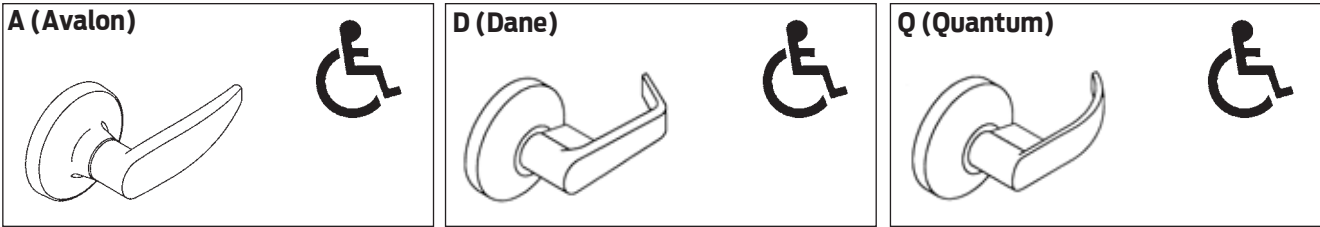
Single trim - surface mounted right lever



Grade 1

Cylindrical

K Series



LOCKS

Grade 1

Cylindrical

K Series

Key-In-Lever		Designs and Finishes	
Function	Description	A D Q	
		626	613
Single Cylinder Functions - Clutched Locked Levers			
K501PD	Entry	\$274.00	\$286.00
K511PD	Entry/Office		
K561PD	Classroom		
K571PD	Dormitory/Corridor		
K581PD	Storeroom		
Non-Keyed Functions			
K101S	Passage	\$225.00	\$237.00
K301S	Privacy	252.00	264.00
Dummy Trim			
K12	Half Dummy	\$115.00	\$121.00

Prices subject to change without notice

K-Series Levers - Cylinder Options

LOCKS

Conventional Cylinder Options

Description	Specify	Add to Lock Price (per core)
5 pinned cylinder	P Suffix Example: K581P	STD
6 pinned cylinder	P6 Suffix Example: K581P6	N/C
6 pinned Competitor keyway cylinders*	P6 Suffix Example: K581P6 (0 Bitted, KD, KA4 only)	\$11.80
Schlage C (6 pin only)	CP6 Suffix Example: K581CP6 (All other keying, not listed above)	N/C

* Competitor keyways are furnished 0 bitted.

Not available Master keyed, except Schlage C. KD option is not available for locks containing 2 cylinders.

- Notes:**
- 1) Finishes: 613 and 626 only
 - 2) Specify keyway
 - 3) Cylinders are furnished G keyway, keyed differently unless otherwise specified.
 - 4) Restricted sections add \$10.80 to list price. See page 8 for list of standard keyways. All other keyways are considered restricted. Contact 877-671-7011 for availability.

Grade 1

K-Series Complete Conventional Cylinders

Cylinder Mechanism	Part Number		Price Each
	For All Other Functions	For K571	
6 Pin Falcon keyway cylinder	Q330-396	Q330-310	\$56.00
6 Pin Schlage C keyway cylinder	Q330-391	Q630-306	
6 Pin to 5 Pin Falcon G keyway cylinder	Q330-397	Q330-311	
For other cylinders, see pages 141-146.			

- Notes:**
- 5) Finishes for Falcon keyway cylinders are 613 and 626 only.
 - 6) Falcon cylinders are furnished G keyway unless otherwise specified.
 - 7) Restricted sections See page 141. See Restricted Keyway Policy for standard keyway and policy on use of restricted keyway cylinders. Contact 877-671-7011 for availability.

Cylindrical

K Series

Small Format Interchangeable Core and Small Format Construction Core

Description	Specify	Add to Lock Price (per core)
Small format core (BEST Style) *	G6/7 Suffix Example: X581G6D	\$46.00
Small format core (Falcon Style) *	GF6/7 Suffix Example: X581GF6D	
Small format construction core **	H Suffix Example: K581HD	
Less Small format core	B Suffix Example: K581BD	N/C
Small format disposable core	BDC Suffix Example: K581BDC	N/C

* Keying must be specified

** Locks are assessed one non-refundable handling charge (50-231F) per core.

Note: 8) Control keys are not furnished with locks and must be ordered separately. See page 151 for details

Prices subject to change without notice

Latches with Locks						
Backset	Description	Specify				Add to Lock Price
		Springlatch 101	Restoring Springlatch 301	Deadlatch 501, 511, 561, 581	Restoring Deadlatch 571	
2-3/8"	Square corner	30-267	30-271	30-301	30-386	N/C
	Radius corner	30-269	30-273	30-275	30-388	
2-3/4"	Square corner	30-266	30-270	30-302	30-385	
	Radius corner	30-268	30-272	30-274	30-387	

Note: 1) Standard faceplate size is 2-1/4" x 1-1/8"

Strikes with Locks			
Description	Lip Length	Specify	Add to Lock Price
ANSI, 1-1/4" x 4-7/8" standard	1-3/8"	30-148	N/C
Square Corner, T-Strike 1-1/8" x 2-3/4"	1-3/8"	30-149	
Radius Corner, Full Lip Strike 1-5/8" x 2-1/4"	1"	30-150	
Square Corner, Full Lip Strike 1-5/8" x 2-1/4"	1"	30-151	

Latches as Parts Finishes: 613, 626						
Backset	Description	Specify				List Price
		Springlatch 101	Restoring Springlatch 301	Deadlatch 501, 511, 561, 581	Restoring Deadlatch 571	
2-3/8"	Square corner	Q630-267	Q630-271	Q630-301	Q330-386	\$55.80
	Radius corner	Q630-269	Q630-273	Q630-275	Q330-388	
2-3/4"	Square corner	Q630-266	Q630-270	Q630-302	Q330-385	
	Radius corner	Q630-268	Q630-272	Q630-274	Q330-387	

Strikes as Parts Finishes: 613, 626			
Description	Lip Length	Specify	List Price
ANSI, 1-1/4" x 4-7/8" standard	1-3/8"	Q330-148	\$11.00
Square Corner, T-strike, 1-1/8" x 2-3/4"	1-3/8"	Q330-149	
Radius Corner, Full Lip Strike 1-5/8" x 2-1/4"	1"	Q330-150	
Square Corner, Full Lip Strike 1-5/8" x 2-1/4"	1"	Q330-151	

Note: 1) Specify finish when ordering.

Prices subject to change without notice

K-Series - Misc. Parts & Options

LOCKS

Locks Less Components

Description	Specify	Deduct from Lock Price
Less standard (conventional) cylinder	L Suffix Example: K581LD DAN	\$21.00
Less latch	LLL Suffix Example: K581PD6 DAN 626 LLL 30-148	16.50
Less strike	LLL Suffix Example: K581GD7 DAN 626 30-206 LLL	5.50

Screws

Part Number	Description	Finishes	List Price
Q630-254	Screw Pack	613, 626	\$5.80
Q330-399	Screw Pack – Dummy Trim	–	4.10

Grade 1

Miscellaneous Parts

Part Number	Description	List Price
Q330-393	Conventional Falcon G Cylinder tailpiece (K501, 511, 581, 561)	\$4.00
Q330-394	Conventional Falcon G Cylinder tailpiece (K571)	
Q630-312	Conventional Schlage C cylinder tailpiece (K501, 511, 581, 561)	
Q630-288	Conventional Schlage C cylinder tailpiece (K571)	
Q630-289	SFIC Tailpiece (K501, 511, 581, 561)	
Q330-392	SFIC Tailpiece (K571)	
Q630-246	Inside Spring Cage Kit	57.00
Q630-279	2-1/4" x 1-1/8" Faceplate, deadlatch, round corner	6.30
Q630-278	2-1/4" x 1-1/8" Faceplate, deadlatch, square corner	
Q630-277	2-1/4" x 1-1/8" Faceplate, springlatch, round corner	
Q630-276	2-1/4" x 1-1/8" Faceplate, springlatch, square corner	

Cylindrical

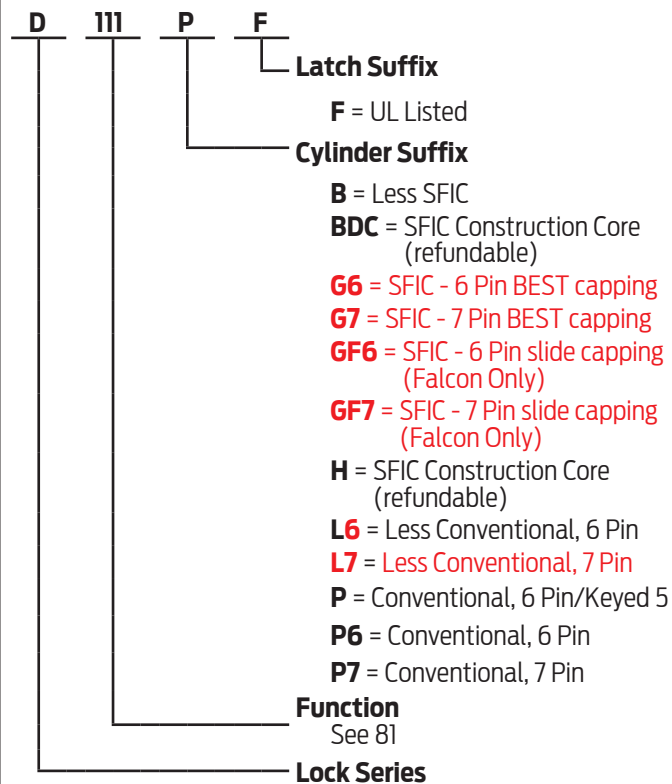
K Series

Prices subject to change without notice

Table of Contents

Function Charts	87
Complete Lock Pricing	88
Options	
Deadbolts	89
Strikes	89
Small Format Interchangeable Cores.....	90
Small Format Construction Cores	90
Lock Less Components	91
Conventional Cylinder Options.....	91
Parts	
Trim.....	92
Deadbolts	92
Strikes	93
Adapters.....	93
Screws.....	94
Screw Packs	94

Product Identification



SFIC = Small Format (Best® Style) Interchangeable Core

Finish Codes and Descriptions

Code		Description
605	(US3)	Bright Brass
606	(US4)	Satin Brass
613	(US10B)	Oil Rubbed Bronze
625	(US26)	Bright Chrome
626	(US26D)	Satin Chrome

Standard Features - Furnished unless otherwise specified

Certification	BHMA - ANSI A156.5, 2001, Grade 1 auxiliary lock, Available UL Listed for 3-Hour fire door
Deadbolt	1-1/8" x 2-1/4", Square corner faceplate, 1" housing diameter, 1" throw
Strike	1-1/8" x 2-3/4", lipless, with box
Cylinder	6-Pin, Solid brass, Keyed 5-Pin, Falcon G keyway, Keyed different (KD)
Door Range	1-3/8" - 1 7/8" standard cylinder and thumbturn only; 1-5/8" - 2-1/4" interchangeable core cylinder
Keys	Two, Nickel silver cut keys per lock, Falcon G keyway
Reinforcement	Metal dust box reinforcer with three - 3" screws
Trim Ring	1" Wrought brass or bronze, reinforced with security insert
Backset	2-3/8" and 2-3/4" adjustable



Prices subject to change without notice

D100 Series

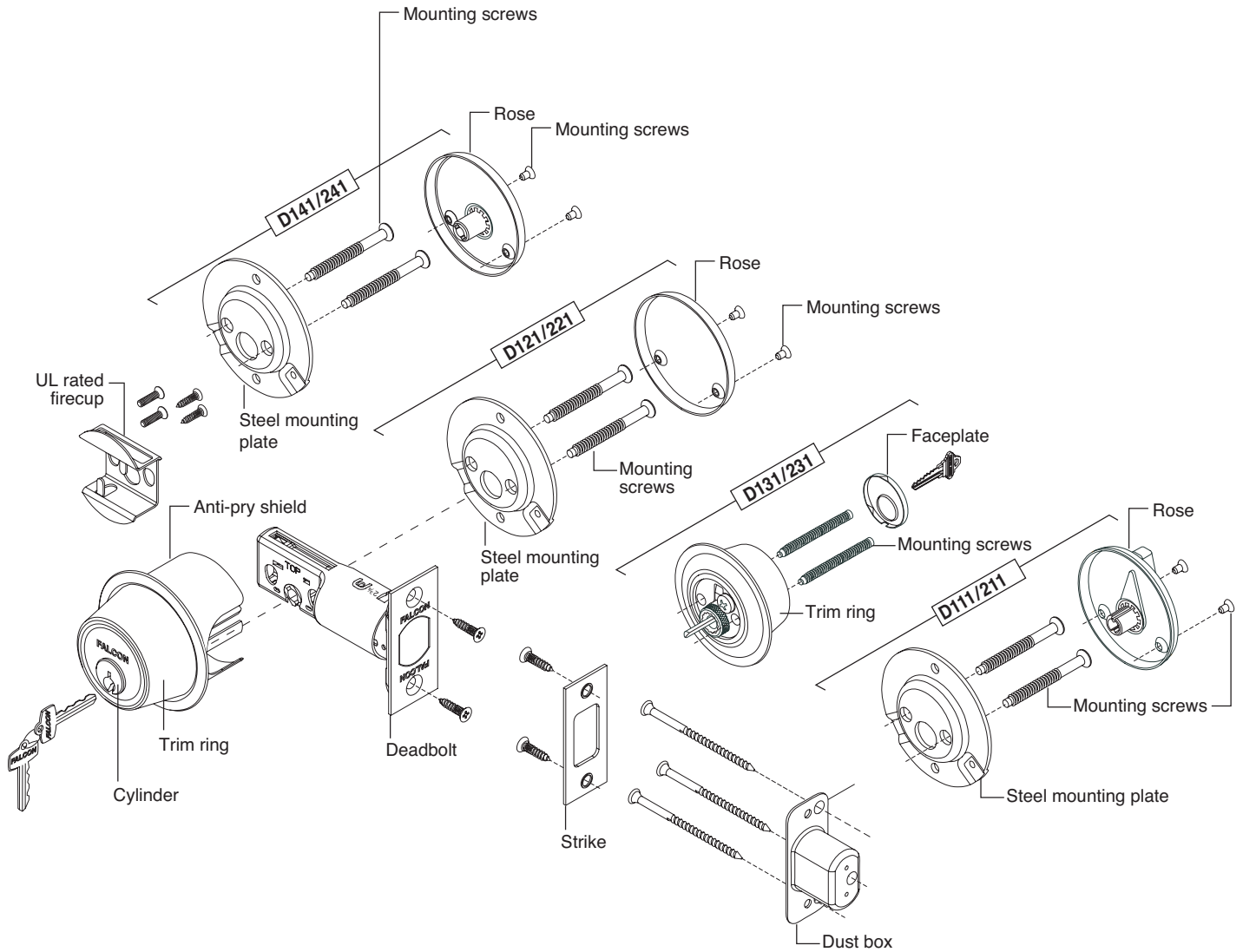
GRADE 1 DEADBOLT

LOCKS

Grade 1

Deadbolt

D100 Series

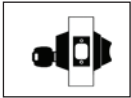


Prices subject to change without notice

**BHMA / ANSI A156.5, 2001, Grade 1
Bored Deadbolt Locks**

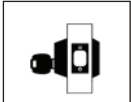
FALCON ANSI

D111P E0171



Classroom Function
Deadbolt thrown or retracted by key from outside. Inside turn will only retract bolt. Bolt automatically deadlocks when fully thrown.

D121P E0161



Single Cylinder x Rose
Deadbolt thrown or retracted by key only. Blank plate inside. Bolt automatically deadlocks when fully thrown.

D131P E0141



Double Cylinder
Deadbolt thrown or retracted by key from either side. Bolt automatically deadlocks when fully thrown.

D141P E0151



Single Cylinder x Turn
Deadbolt thrown or retracted by key or by turn. Bolt automatically deadlocks when fully thrown.

D151



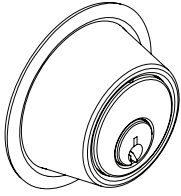
Turn x Turn
Deadbolt thrown or retracted by turn unit from either side. Application for shelters. Bolt automatically deadlocks when fully thrown.

Prices subject to change without notice

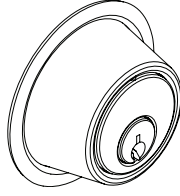
D100 Series - Levers and Parts

LOCKS

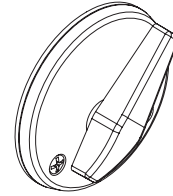
Outside Cylinder Trim



Inside Cylinder Trim



Rose and Turn



D-100 Series

Function	Description	Designs and Finishes			
		626	605	606	613 625
Single Cylinder Functions					
D111P	Classroom Function	\$147.00		\$153.00	
D121P	Single Cylinder x Blank Rose	130.00		136.00	
D141P	Single Cylinder x Turn				
Double Cylinder Functions					
CAUTION: Double cylinder locks on residences and any door in any structure which is used for egress are a life safety hazard in times of emergency and their use is not recommended. Installation should be in accordance with existing codes only.					
D131P	Cylinder x Cylinder	\$168.00		\$174.00	
Non-Keyed Functions					
D151	Turn x Turn	\$108.00		\$114.00	

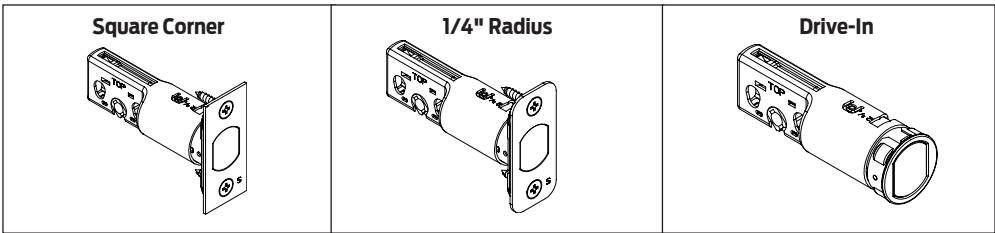
- Notes:**
- 1) Split finishes are priced at the highest finish price.
 - 2) Keying options: See page 8
 - 3) 'F' suffix must be added for UL product.

Grade 1

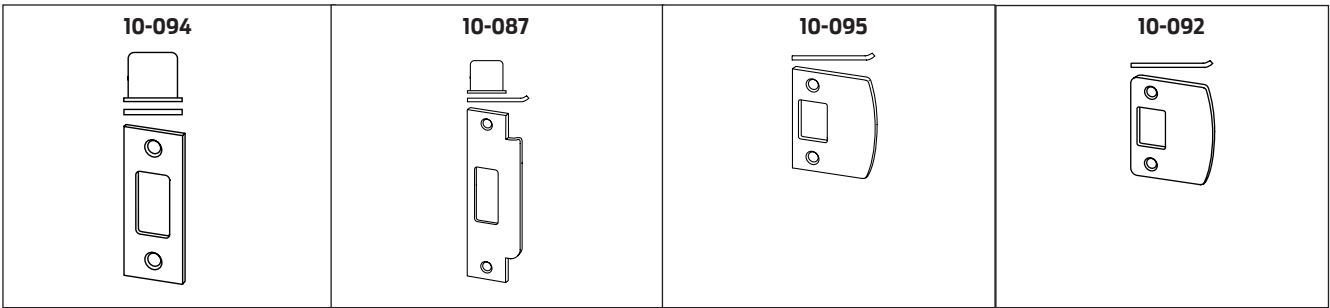
Deadbolt

D100 Series

Prices subject to change without notice



Deadbolts with Locks				
Backset	Description	HSG Dia	Specify	Add to Lock Price
2-3/8" or 2-3/4"	Square corner, 1-1/8" x 2-1/4", standard	1"	30-256	N/C
	Square corner, 1" x 2-1/4"		30-176	
	1/4" Radius round corner, 1" x 2-1/4"		30-178	
	Circular, Drive-In bolt, 626 only		30-257	
For UL Listed Locks				
2-3/8" or 2-3/4" UL	Square corner, 1-1/8" x 2-1/4", standard	1"	30-174	N/C
	Square corner, 1" x 2-1/4"		30-172	
	Circular, Drive-In bolt, 626 only		30-259	



Strikes with Locks			
Description	Lip Length	Specify	Add to Lock Price
Drive-In thimble strike, 1-3/16" dia.	1"	10-064	N/C
ANSI, 1-1/4" x 4-7/8", with box	1-1/8"	10-087	\$6.40
Full Lip, 1/4" radius corner, 1-5/8" x 2-1/4", no box	1-5/16"	10-092	N/C
Square Corner with metal dust box, 1-1/8" x 2-3/4", standard	-	10-094	
Full Lip, square corner, 1-5/8" x 2-1/4", no box		10-095	
1-1/8" square corner and strike		5075	
Dust Box		005099-000	
Strike Reinforcer used with 10-094		37-016	

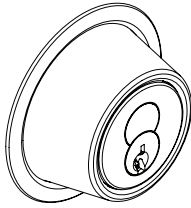
Shaded items are standard components and are furnished with locks unless otherwise specified.

Prices subject to change without notice

D100 Series • Options

LOCKS

Small Format Interchangeable Core



Small Format Interchangeable Core and Small Format Construction Core

Description	Specify	Add to Lock Price (per core)
Small format core (Best Style) *	G6/7 Suffix Example: D111G6	\$46.00
Small format core (Falcon Style) *	GF6/7 Suffix Example: D111GF6	
Small format construction core **	H Suffix Example: D111HD	46.00
Less Small format core	B Suffix Example: D111BD	N/C
Small format disposable core	BDC Suffix Example: D111BDC	N/C

* Keying must be specified

** Locks are assessed one non-refundable handling charge (50-231F) per core.

Notes: 1) Split finishes are priced at the highest finish price.

2) Key section must be specified and applicable charges for restricted sections will be applied. See page 141.

3) Control keys are not furnished with locks and must be ordered separately. See page 151 for details

Prices subject to change without notice

Grade 1

Deadbolt

D100 Series

Lock Less Components		
Description	Specify	Deduct from Lock Price
Less deadbolt	LLL for latch Example: D211P 605 30-171 LLL	\$11.30
Less strike	LLL for strike Example: D211L	3.60
Less conventional cylinder	L suffix Example: D211L	19.80
Less conventional cylinder D131	L suffix Example: D131L	37.30

Conventional Cylinder Options		
Description	Specify	Add to Lock Price (per core)
5 pinned cylinder	P Suffix Example: D111P	STD
6 pinned cylinder	P6 Suffix Example: D111P6	N/C
7 pinned cylinder (Not available on D131)	P7 Suffix Example: D111P7	\$11.90
6 pinned Competitor keyway cylinders*	P6 Suffix Example: D111P6 (0 Bitted, KD, KA4 only)	N/C

* Specify specific competitor keyway on order. Competitor keyways are furnished 0 bitted, unless otherwise specified. Not available Master keyed, except Schlage C. KD option is not available for locks containing 2 cylinders.

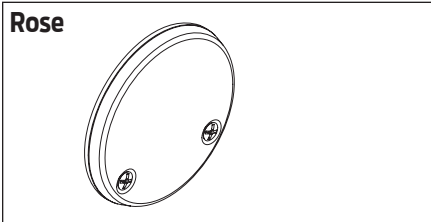
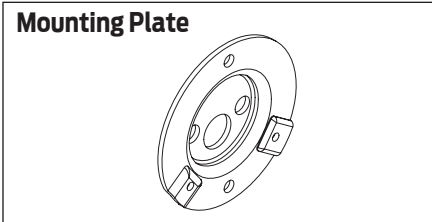
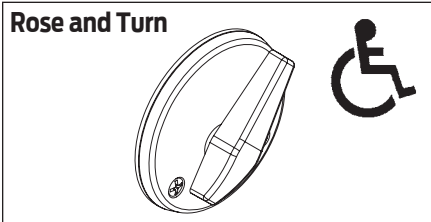
D100-Series Complete Conventional Cylinders		
Cylinder Mechanism	Part Number	Price Each
5 Pin Cylinder - D111, D141	Q500-064	\$56.00
5 Pin Cylinder - D121	Q500-066	
5 Pin Cylinder - D131	Q500-070	
6 Pin Cylinder - D111, D141	Q500-021	
6 Pin Cylinder - D121	Q500-058	
6 Pin Cylinder - D131	Q500-054	
7 Pin Cylinder - D111, D141	Q500-046	71.00
7 Pin Cylinder - D121	Q500-059	

- Notes:**
- 1) Finishes: 606 and 626 only
 - 2) Specify keyway
 - 3) Cylinders are furnished G keyway, keyed differently unless otherwise specified.
 - 4) Restricted sections add \$10.80 to list price. See page 8 for list of standard keyways. All other keyways are considered restricted. Contact 877-671-7011 for availability.

Prices subject to change without notice

D100 Series - Parts

LOCKS

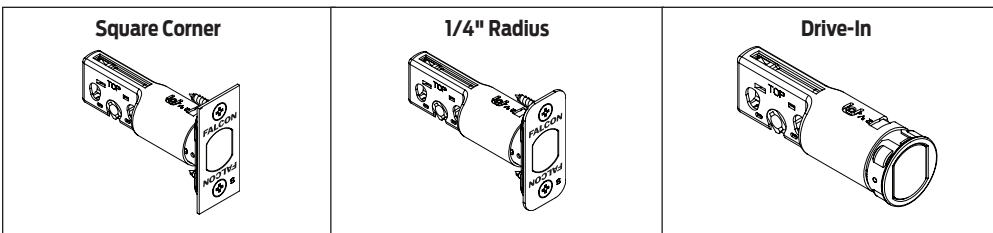


Grade 1

Trim			
Part Number	Specify Finish	Description	Price Each
B302-041	.	Rose and Turn	\$45.80
B302-045	.	Rose and Turn (D111)	45.80
12-626	.	Blank Rose (D121)	26.10
B600-018	.	Mounting plate for rose and rose & turn	10.60

Note: 1) For trim rings and inserts see Cylinders: D100

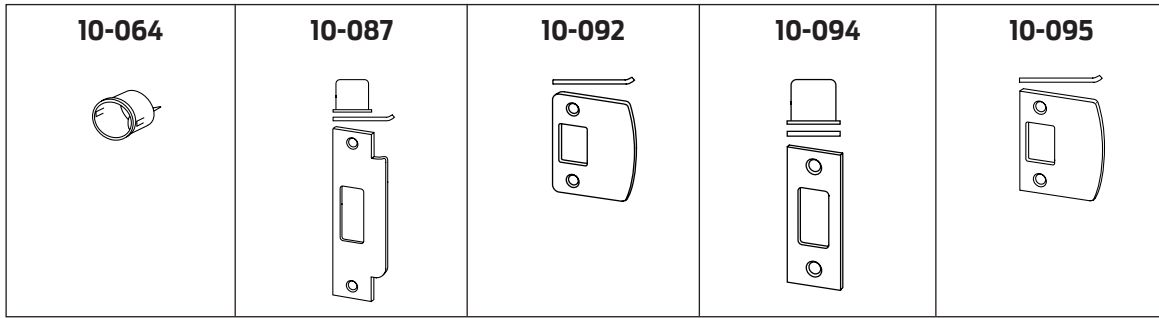
Deadbolt



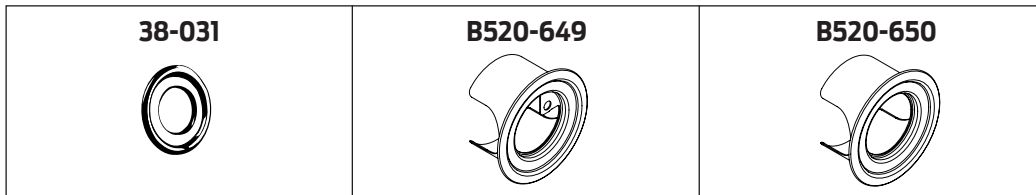
D100 Series

Deadbolts				
Part Number	Specify Finish	Housing Diameter	Description	Price Each
Q330-256	.	2-3/8" or 2- 3/4" Universal	Square corner, 1-1/8" x 2-1/4" faceplate	\$16.70
Q330-176	.		Square corner, 1" x 2-1/4" faceplate	
Q330-178	.		1/4" radius corner, 1" x 2-1/4" faceplate	
Q330-257	626		1" circular drive-in, 626 only	

Prices subject to change without notice



Strikes				
Part Number	Specify Finish	Description	Lip Length	Price Each
10-064	.	Drive-In, thimble strike, 1-3/16" deep	-	\$17.20
10-087	.	ANSI, 1-1/4" x 4-7/8, with box	1-1/8"	23.60
10-094	.	Square corner with metal dust box, 1-1/8" x 2-3/4"	-	12.20
10-092	.	Full lip, 1/4" radius corner, 1-5/8" x 2-1/4", no box	1-5/16"	7.90
10-095	.	Full lip, square corner, 1-5/8" x 2-1/4", no box		8.10
J250-028		2" strike mounting screws		2.10
5075	.	Security Strike	-	9.90



Adapters			
Part Number	Specify Finish	Description	Price Each (per finish)
			605 606 613 625 626
38-031	.	2-1/2" diameter adapter ring for 2-1/8" door prep, for under cylinder	\$19.60
B520-649	.	Trim ring w/shield for D131/D141	24.20
B520-650	.	Trim ring w/shield for IC functions	24.20
36-071	.	1-3/8" IC Core thin door shim kit, contains 36-066 & 36-068	15.00

Prices subject to change without notice

LOCKS

Screws						
Part Number	Specify Finish	Description		Application		Price Each (Order in multiples of 100)
		Size	Type	Use	Door Thickness	
Keyed, Single Conventional Cylinder						
B600-100		1/4"-28 x 1-15/16"	POH mach.	Mounting	1-3/8" - 1-3/4"	\$2.50
B600-101		1/4"-28 x 2.425"	POH mach.	Mounting	over 1-3/4"	
B600-066	.	6-32 x 1/4"	PH mach.	Turn	-	0.80
B520-298		10-32 x 3/8"	PH mach.	Anti-pry shield	-	
Keyed, Single SFIC Cylinder						
B600-100		1/4"-28 x 1-15/16"	POH mach.	Mounting	1-3/8" - 2-1/4"	2.50
B600-066	.	6-32 x 1/4"	PH mach.	Turn	-	
Keyed, Double Conventional Cylinder						
B600-047		1/4"-28 x 3-13/16"	PH mach.	Mounting	1-3/8" - 1-3/4"	2.50
B600-078		1/4"-28 x 3-29/64"	PH mach.	Mounting	over 1-3/4"	
B520-298		10-32 x 3/8"	PH mach.	Anti-pry shield	-	0.80
Keyed, Double SFIC Cylinder						
B600-053		1/4"-28 x 3-61/64"	PH mach.	Mounting	1-3/4" - 2-1/4"	2.50
B520-298		10-32 x 3/8"	PH mach.	Anti-pry shield	-	0.80
All Functions						
C603-897	.	#8 x 3/4"	PFH combo	Deadbolt & strike	-	0.92
J250-028		#8 x 2"	PFH wood	2" strike screw	-	2.10
R525-256		#12 x 3"	PFH wood	3" metal dust box	-	

Grade 1

Deadbolt

D100 Series

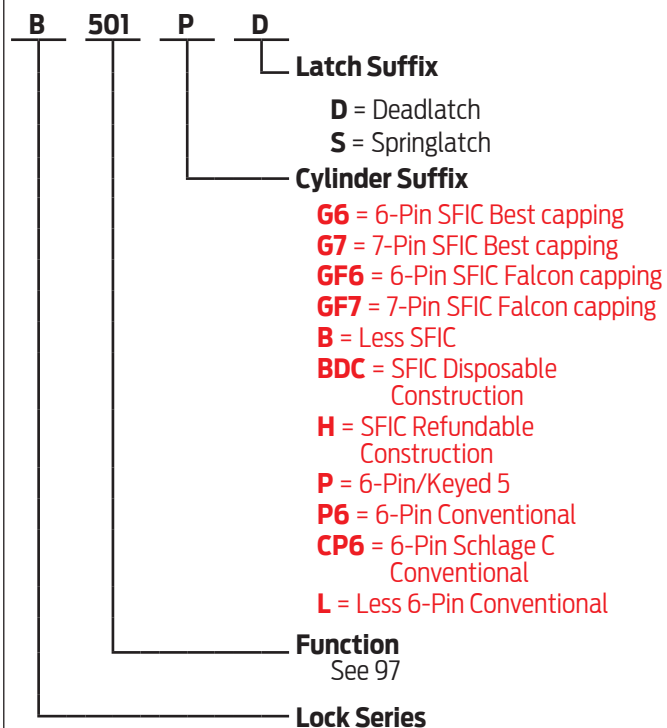
Screw Packs				
Part Number	Specify Finish	Door Thickness	Contents	Price Each
Keyed, Single Conventional Cylinder				
61-500	.	1 3/8" - 1 3/4"	(1) B600-018 (2) B600-100 (2) B600-066 (4) C603-897	\$15.00
61-501	.	over 1 3/4" - 2 1/4"	(1) B600-018 (2) B600-101 (2) B600-066 (4) C603-897	15.00
Keyed, Single SFIC Cylinder				
61-500	.	1 3/8" - 2"	(1) B600-018 (2) B600-100 (2) B600-066 (4) C603-897	\$15.00
Keyed, Double Conventional Cylinder				
61-502	.	1 3/8" - 1 3/4"	(2) B600-047 (4) C603-897	\$11.40
61-503	.	over 1 3/4" - 2 1/4"	(2) B600-078 (4) C603-897	11.40
Keyed, Double SFIC Cylinder				
61-507	.	1 3/8" - 2"	(2) B600-053 (4) C603-897	\$11.40

Prices subject to change without notice

Table of Contents

Functions 97
Complete Lock Pricing 98
Options
 Conventional Cylinder Options.....99
 Small Format Interchangeable Cores.....99
 Small Format Construction Cores99
 Latches100
 Strikes100
 Lock Less Components 101
 Tactile Warning Strip (not available in 613)..... 101
Parts
 Levers 101
 Roses 101
 Chassis Assemblies 101
 Screws.....102
 Misc. Parts..... 102

Product Identification



SFIC = Small Format (Best® Style) Interchangeable Core

Finish Codes and Descriptions

Code		Description
605	(US3)	Bright Brass
606	(US4)	Satin Brass
613	(US10B)	Oil Rubbed Bronze
625	(US26)	Bright Chrome
626	(US26D)	Satin Chrome

Standard Features - Furnished unless otherwise specified



Certification	ANSI A156.2, Series 4000, Grade 2, UL Listed for 3-Hour fire door
Latch	1-1/8" x 2-1/4", Square corner faceplate, 1" housing diameter, 1/2" throw, 2-3/4" backset
Strike	1-1/4" x 4-7/8", ANSI, Square corner, no box
Cylinder	6-Pin, Solid brass, Keyed 5-Pin, Falcon G keyway, Keyed different (KD)
Door Range	1-3/8" - 2" standard (exceptions for communicating locks - see pg 98)
Keys	Two, Nickel silver cut keys per lock, Falcon G keyway

Prices subject to change without notice

B Series

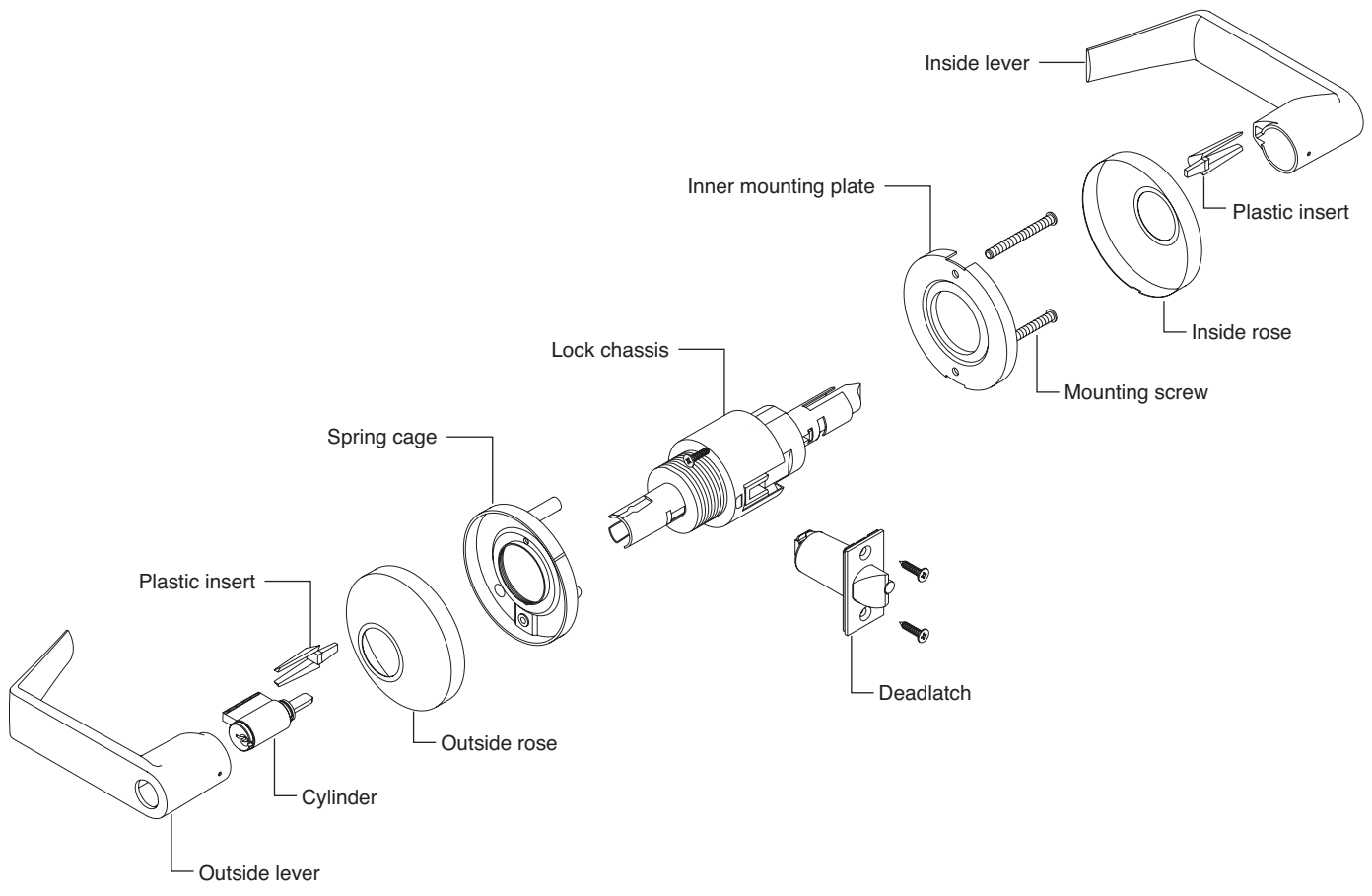
GRADE 2 CYLINDRICAL LOCK

LOCKS

Grade 2

Cylindrical

B Series



Prices subject to change without notice

ANSI A156.2 Series 4000 Grade 2

Key-In-Lever Locks

FALCON ANSI

B101 F75



Passage/Closet Latchset
Latch bolt by levers at all times.

B161 F111



Communicating Passage Lock
Deadlocking latch bolt by inside lever.
Non-removable blank plate outside.

B301 F76



Privacy/Bedroom/Bath Lock
Latch bolt by levers. Outside lever locked by push button in inside lever. Rotating inside lever or closing door releases push button. Emergency release in outside lever unlocks door.

B341 F112



Communicating Store Room Lock
Deadlocking latch bolt by inside lever except when locked by key. Non-removable blank plate on opposite side of lever (11/16" projection).

B501 F82



Entry Lock
Push button locking. Button on inside locks outside lever until unlocked by key or by rotating inside lever. Inside lever always free. Deadlocking latch bolt.

B511 F109

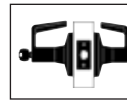


Entry/Office Lock
Turn/push button locking. Pushing and turning button locks outside lever requiring use of key until button is manually unlocked. Push button locking. Pushing button locks outside lever until unlocked by key or by rotating inside lever. Inside lever always free. Deadlocking latch bolt.

Key-In-Lever Locks

FALCON ANSI

B561 F84



Classroom Lock
Deadlocking latch bolt by levers. Outside lever is locked by key in outside lever. Inside lever is always unlocked for immediate egress.

B581 F86



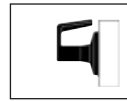
Store Room
Deadlocking latch bolt by lever inside or key outside. Outside lever is always locked. Inside lever is always unlocked for immediate egress.

B611 F90



Dormitory/Corridor Lock
Deadlocking latch bolt by levers except when locked by push button on inside lever. Key in outside lever locks or unlocks outside lever and releases button. Closing door releases push button. Inside lever is always free.

B12



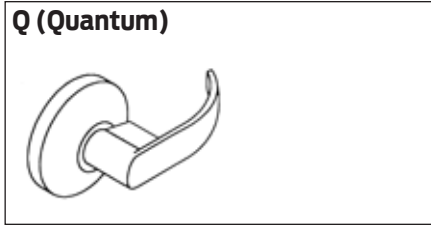
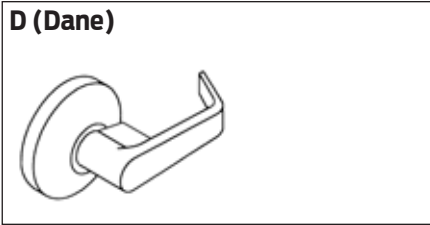
Dummy Trim
Single Trim-surface mounted rigid lever.

Prices subject to change without notice

B-Series • Complete Locks

Grade 2 Standard Duty Cylindrical Locksets
ANSI-A156.2, SERIES 4000, GRADE 2

LOCKS



Grade 2

Cylindrical

B Series

Key-In-Lever		Designs and Finishes				
		D Q				
Function	Description	626	605	606	613	625
Single Cylinder Functions						
B341PD*	Connecting/Exit	\$215.00	\$227.00			
B501PD	Entry					
B511PD	Entry/Office					
B561PD	Classroom					
B581PD	Storeroom					
B611PD	Dormitory/Corridor	243.00	255.00			
Non-Keyed Functions						
B101S	Passage	\$155.00	\$167.00			
B161D*	Communicating Latch					
B301S	Privacy	179.00	191.00			
Dummy Trim						
B12	Half Dummy	\$70.00	\$76.00			

* The B161 and B341 need to be specified as shown for correct door ranges: 138 for (1-3/8"-1-5/8") or 134 for (>1-5/8"-2")

Prices subject to change without notice

Conventional Cylinder Options		
Description	Specify	Add to Lock Price (per core)
5 pinned cylinder	P Suffix Example: B581P	STD
6 pinned cylinder	P6 Suffix Example: B581P6	N/C
6 pinned Competitor keyway cylinders*	P6 Suffix Example: B581P6 (0 Bitted, KD, KA4 only)	
Schlage C (6 pin only)	CP6 Suffix Example: B581CP6 (All other keying, not listed above)	

* Specify specific competitor keyway on order. Competitor keyways are furnished 0 bitted, unless otherwise specified. Not available Master keyed, except Schlage C. KD option is not available for locks containing 2 cylinders.

B-Series Complete Conventional Cylinders		
Cylinder Mechanism	Part Number	Price Each
5 Pin Cylinder	A23155-02	\$56.00
5 Pin Cylinder - B611	A23151-06	
6 Pin Cylinder	A23165-02	
6 Pin Cylinder - B611	A23161-06	

- Notes:**
- 1) Finishes: 606 and 626 only.
 - 2) Specify keyway.
 - 3) Cylinders are furnished G keyway, keyed differently unless otherwise specified.
 - 4) Restricted sections add \$10.80 to list price. See page 8 for list of standard keyways. All other keyways are considered restricted. Contact 877-671-7011 for availability.

Small Format Interchangeable Core and Small Format Construction Core		
Description	Specify	Add to Lock Price (per core)
Small format core (BEST Style) *	G6/7 Suffix Example: B581G6D	\$46.00
Small format core (Falcon Style) *	GF6/7 Suffix Example: B581GF6D	
Small format construction core **	H Suffix Example: B581HD	46.00
Less Small format core	B Suffix Example: B581BD	N/C
Small format disposable core	BDC Suffix Example: B581BDC	N/C

*Keying must be specified.
** Locks are assessed one non-refundable handling charge (50-231F) per core.

Note: 5) Control keys are not furnished with locks and must be ordered separately. See page 151 for details

Prices subject to change without notice

B-Series • Latch and Strike Options

LOCKS

Latches with Locks				
Backset	Description	Specify		Add to Lock Price
		Springlatch/Deadlatch	301/611	
2-3/4"	Square corner, 1-1/8" x 2-1/4", standard	57435	57635	N/C
	Square corner, 1" x 2-1/4"	57430	57630	
	1/4" Radius round corner, 1" x 2-1/4"	57431	57631	
2-3/8" **	Square corner, 1" x 2-1/4"	57420	57620	N/C
	Square corner, 1-1/8"	57425	57625	
	1/4" Radius round corner, 1" x 2-1/4"	57421	57621	
5"	Backset extension link	A31727-005-00 *		\$39.80

* Backset extension link A31727-005-00 must be used with 2-3/8" backset latches

** 2-3/8" backset is furnished as a 1" faceplate standard.

Grade 2

Strikes with Locks			
Description	Lip Length	Specify	Add to Lock Price
ANSI, 1-1/4" x 4-7/8" standard	1-3/16"	5164	N/C
Square Corner, full lip 1-5/8" x 2-1/4"	1"	01-049	N/C
1/4" Radius round corner, full lip 1-5/8" x 2-1/4"	1"	01-048	N/C
Square Corner, T-strike, 1-1/8" x 2-3/4"	1-5/16"	01-046	N/C
ANSI dust box 1" deep, steel	-	005099-000-30	N/C
ANSI, 1-1/4" x 4-7/8"	7/8"	5161	N/C

Cylindrical

Latches sold separate Finishes: 605, 613, 630			
Latch Face	Backset & Price		
	2-3/8"	2-3/4"	Price
1" Spring Latch (101)	A57420-000	A57430-000	\$29.20
1" Spring Latch (301)	A57620-000	A57630-000	
1" Spring Latch - 1/4" Rad. (101)	A57421-000	A57431-000	
1" Spring Latch - 1/4" Rad. (301)	A57621-000	A57631-000	
1" Deadlatch	A57420-00D	A57430-00D	
1" Deadlatch (611)	A57620-00D	A57630-00D	
1" Deadlatch - 1/4" Rad.	A57421-00D	A57431-00D	
1" Deadlatch - 1/4" Rad. (611)	A57621-00D	A57631-00D	
1-1/8" Spring Latch (101)	A57425-000	A57435-000	
1-1/8" Spring Latch (301)	A57625-000	A57635-000	
1-1/8" Deadlatch	A57425-00D	A57435-00D	
1-1/8" Deadlatch (611)	A57625-00D	A57635-00D	

B Series

Strikes sold separate Finishes: 605, 606, 613, 626, 630 (ANSI only)			
Description	Lip Length	Specify	List Price
Square Corner, T-strike, 1-1/8" x 2-3/4"	1-1/8"	Q001-046	\$4.40
1/4" Radius round corner, full lip 1-5/8" x 2-1/4"	1"	Q001-048	
Square corner, full lip 1-5/8" x 2-1/4"		Q001-049	
ANSI, 1-1/4" x 4-7/8" standard	1-3/16"	005164-000	14.20
ANSI dust box 1" deep, steel	-	005099-000-30	10.40
ANSI, 1-1/4" x 4-7/8"	7/8"	005161-000	23.90

Shaded items are standard components and are furnished with locks unless otherwise specified.

Prices subject to change without notice

Trim and Chassis Options - B-Series

LOCKS

Grade 2

Cylindrical

B Series

Lock Less Components		
Description	Specify	Deduct from Lock Price
Less standard cylinder	L suffix Example: B581LD DAN	\$54.00
Less latch	LLL for latch Example: B581PD DAN 626 LLL 5164	13.70
Less strike	LLL for strike Example: B581PD DAN 626 57435 LLL	10.40

Tactile Warning		
Description	Specify	Per Lever Lock Price
Abrasive Strip*	Preface the design code with 6 Example: 6DA for DAN	\$50.20

* Not available in 613

Levers		
Part Number	Description	List Price
		605, 606, 613, 625, 626
A31750-000	Lever, Dane closed	\$43.10
A31751-000	Lever, Quantum closed	
A31750-001	Lever, Dane open	
A31751-001	Lever, Quantum open	
031700-002	Lever, Dane IC	
031701-002	Lever, Quantum IC	

Roses		
Part Number	Description	List Price
		605, 606, 613, 625, 626
031702-000	Rose, Outer	\$17.30
031703-000	Rose, Inner	
A31764-000	Rose, Blank Insert and Post	

B Series Chassis Assemblies			
Part Number		Description	Price
Conventional Cylinder	IC Core		
A31706-000-00		B101 Chassis	\$125.00
A31707-000-00		B161 Chassis – 1-5/8" – 2" Door Thickness	
A31707-002-00		B161 Chassis – 1-3/8" – 1-5/8" Door Thickness	125.00
A31709-000-00	A31709-001-00	B301/501 Chassis	151.00
A31714-000-00	A31714-001-00	B511 Chassis	
A31715-000-00	A31715-001-00	B561 Chassis	203.00
A31716-000-00	A31716-001-00	B581 Chassis	151.00
A31708-000	A31708-001	B341 Chassis – >1-5/8" – 2" Door Thickness	
A31708-002	A31708-003	B341 Chassis – 1-3/8" – 1-5/8" Door Thickness	
A31739-000	A31739-001	B611 Chassis	227.00

Note: 4) Chassis provided with trim finish on B341 and B611.

Prices subject to change without notice

B-Series • Parts

LOCKS

Screws				
Part Number	Description	Finishes	Size	List Price
021164-016	ANSI strike screws	606, 613, 626, 630	12-24 x 1" combo	\$0.54
024416-012	Latch and strike screws	606, 613, 626, 630	8-32 x 3/4" combo	0.32
A31767-000	Screw pack 2-Strike screws, 2- Latch screws, 2- Mounting screws, 2- ANSI Strike screws, and 1- Pin Wrench	605, 613, 626		5.00

Miscellaneous Parts		
Part Number	Description	List Price
031705-000-30	Inside Rose Liner	\$2.10
031718-000	Push button cap	2.50
031719-000	Turn button cap	2.80
031741-000-50	Lever insert	0.58

Grade 2

Cylindrical

B Series

Prices subject to change without notice

Table of Contents

Function Charts **105**

Levers 105

Knobs 106

Complete Lock Pricing

Levers/Knobs 107

Small Rose Levers/Knobs 108

Options

Conventional Cylinder Options 109

Complete Conventional Cylinders 109

Interchangeable Core & Const. Core 109

Latches 110

Strikes 110

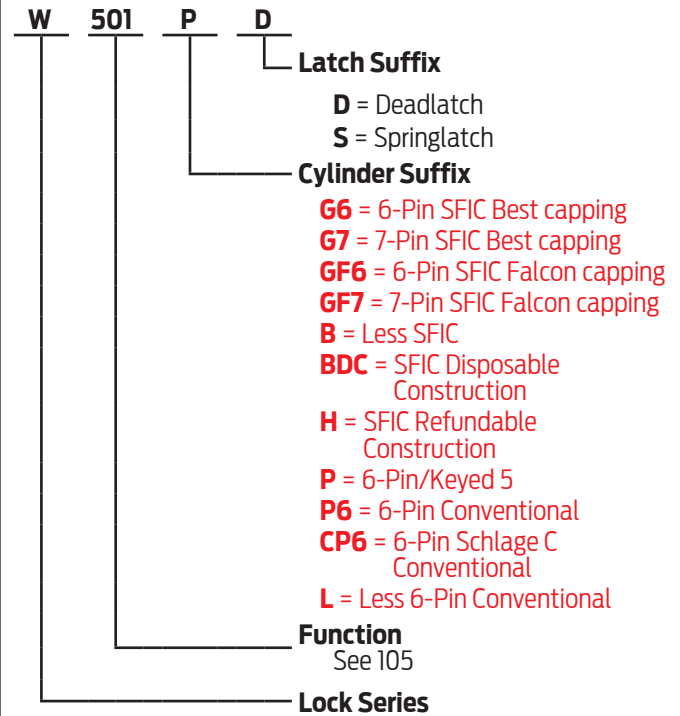
Lock Less Components 111

Tactile Warning Strip 111

Scews 111

Misc. Parts 111

Product Identification



SFIC = Small Format (Best® Style) Interchangeable Core

Finish Codes and Descriptions

Code		Description
605	(US3)	Bright Brass
606*	(US4)	Satin Brass
613	(US10B)	Oil Rubbed Bronze
619	(US15)	Satin Nickel
622		Matte Black
625	(US26)	Bright Chrome
626	(US26D)	Satin Chrome
643E	(US11)	Aged Bronze

*Not available on small rose

Standard Features - Furnished unless otherwise specified



Certification	ANSI A156.2, Series 4000, Grade 2, UL Listed for 3-Hour fire door
Latch	1-1/8" x 2-1/4", Square corner faceplate, 1" housing diameter, 1/2" throw, 2-3/4" backset
Strike	1-1/4" x 4-7/8", ANSI, Square corner, no box
Cylinder	6-Pin, Solid brass, keyed 5-pin, Falcon G keyway, Keyed different (KD)
Door Range	1-3/8" - 1-3/4" standard
Keys	Two, Nickel silver cut keys per lock, Falcon G keyway

Prices subject to change without notice

W Series

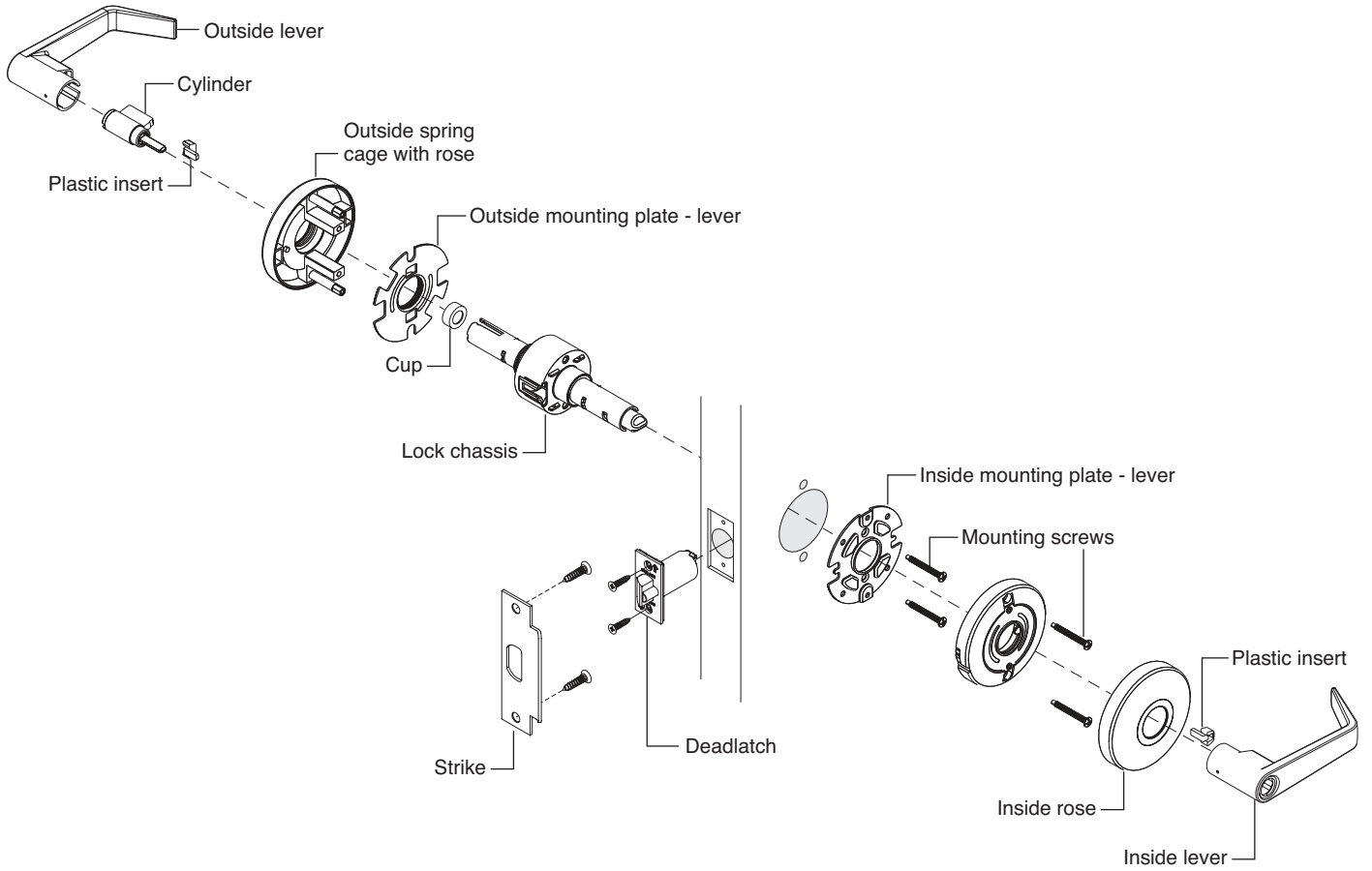
GRADE 2 CYLINDRICAL LOCK

LOCKS

Grade 2

Cylindrical

W Series



Prices subject to change without notice

ANSI A156.2, Series 4000 Grade 2

Key-In-Lever Locks

FALCON ANSI & Function

W101 F75



Passage Latchset

Latch bolt by levers at all times.

W161 F111



Communicating/Exit Latch

Deadlocking latch bolt by inside lever. Non-removable blank plate outside.

W201* F77



Patio Lock

Deadlocking latch bolt by levers. Outside lever is locked by push button from inside. Rotating inside lever or closing door releases button and unlocks outside lever.

W301 F76



Privacy Lock

Latch bolt by levers. Outside lever is locked by push button in inside lever. Rotating inside lever or closing door release push button and frees outside lever. Inside lever is always free. Emergency release in outside lever unlocks door.

W501* F82



Entry Lock

Push Button Locking. Button on the inside locks outside lever until unlocked by key or by rotating inside lever. Inside lever always free. Deadlocking latch bolt.

FUNCTION CHANGE NOTE: THIS LOCK WILL STAY LOCKED WHEN THE DOOR IS CLOSED. IF YOU WANT YOUR DOOR TO UNLOCK WHEN IT CLOSES, PLEASE PURCHASE THE 571 FUNCTION.

W511 F109



Entry/Office Lock

Deadlocking latch bolt by levers. Turn/push button locking. Pushing and turning button locks outside lever, requiring use of a key for unlocking the door until button is manually unlocked. Pushing button locks outside lever until unlocked by key or by rotating inside lever. Inside lever is always free.

Key-In-Lever Locks

FALCON ANSI & Function

W561 F84



Classroom Lock

Deadlocking latch bolt by levers. Outside lever is locked by key in outside lever. Inside lever is always free.

W571*



Corridor Lock

Deadlocking latch bolt. **Push button locking only.** Button on the inside locks outside lever until unlocked by key or by rotating inside lever. Closing the door releases button. Inside lever always free.

NEW FUNCTION NOTE: THIS LOCK WILL UNLOCK WHEN THE DOOR IS CLOSED. IF YOU WANT YOUR DOOR TO REMAIN LOCKED WHEN IT CLOSES, PLEASE PURCHASE THE 501 FUNCTION.

W581 F86



Storeroom Lock

Deadlocking latch bolt by lever inside or key outside. Outside lever is always locked. Inside lever is always free.

W711*



Apartment Entrance Lock

Deadlocking latch bolt by levers. Turn/push button locking. Pushing and turning button locks outside lever, requiring use of a key for unlocking the door until button is manually unlocked. Pushing button locks outside lever until unlocked by key, by rotating inside lever, or by closing door. Inside lever is always free.

W12/W18*



Dummy Trim

Single or double available. Single (W12) Double (W18)

* Functions are not available for small rose option

Prices subject to change without notice

W-Series - Knob Functions

LOCKS

Grade 2

Cylindrical

W Series

ANSI A156.2, Series 4000 Grade 2

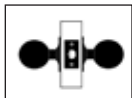
Key-In-Knob Locks

FALCON ANSI & Function

W101 F75

Passage Latchset

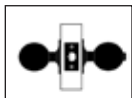
Latch bolt by knob at all times.



W301 F76

Privacy Lock

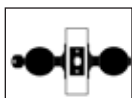
Latch bolt by knobs. Outside knob is locked by push button in inside lever. Rotating inside knob or closing door release push button and frees outside knob. Inside knob is always free. Emergency release in outside knob unlocks door.



W501 F82

Entry Lock

Push Button Locking. Button on the inside locks outside knob until unlocked by key or by rotating inside knob. Inside knob always free. Deadlocking latch bolt.

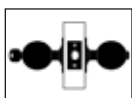


FUNCTION CHANGE NOTE: THIS LOCK WILL STAY LOCKED WHEN THE DOOR IS CLOSED. IF YOU WANT YOUR DOOR TO UNLOCK WHEN IT CLOSSES, PLEASE PURCHASE THE 571 FUNCTION.

W511 F109

Entry/Office Lock

Deadlocking latch bolt by knobs. Turn/push button locking. Pushing and turning button locks outside knob, requiring use of a key for unlocking the door until button is manually unlocked. Pushing button locks outside knob until unlocked by key or by rotating inside lever. Inside knob is always free.



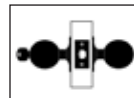
Key-In-Knob Locks

FALCON ANSI & Function

W561 F84

Classroom Lock

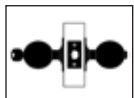
Deadlocking latch bolt by knobs. Outside knob is locked by key in outside knob. Inside knob is always free.



W571

Corridor Lock

Deadlocking latch bolt. Push Button Locking. Button on the inside locks outside knob until unlocked by key or by rotating inside knob. Closing the door releases button. Inside knob always free.

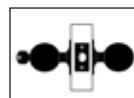


NEW FUNCTION NOTE: THIS LOCK WILL UNLOCK WHEN THE DOOR IS CLOSED. IF YOU WANT YOUR DOOR TO REMAIN LOCKED WHEN IT CLOSSES, PLEASE PURCHASE THE 501 FUNCTION.

W581 F86

Storeroom Lock

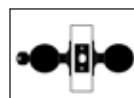
Deadlocking latch bolt by knob inside or key outside. Outside knob is always locked. Inside knob is always free.



W711

Apartment Entrance Lock

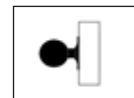
Deadlocking latch bolt by knobs. Turn/push button locking. Pushing and turning button locks outside knob, requiring use of a key for unlocking the door until button is manually unlocked. Pushing button locks outside knob until unlocked by key, by rotating inside knob, or by closing door. Inside knob is always free.



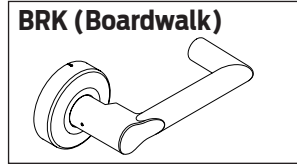
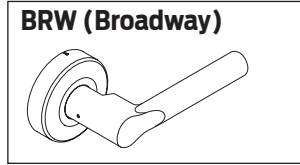
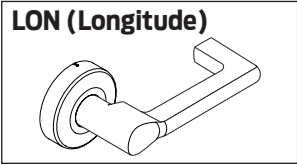
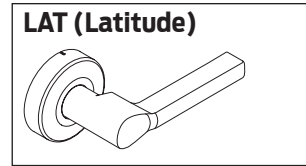
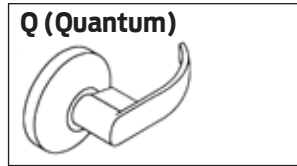
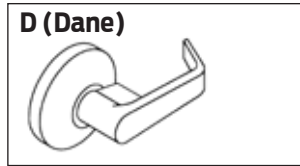
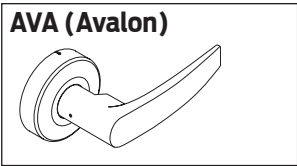
W12

Dummy Trim

Single Trim rigid knob.



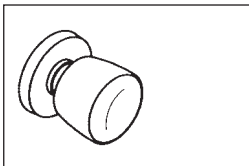
Prices subject to change without notice



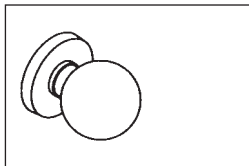
		Designs and Finishes													
		AVA	D	Q	LAT	LON	BRW	BRK	AVA	D	Q	LAT	LON	BRW	BRK
Function	Description	626	643E							605	606	613	619	622	625
Single Cylinder Functions															
W501PD	Entry														
W511PD	Entry/Office														
W561PD	Classroom														
W571PD	Dormitory/Corridor	\$117.00						\$129.00							
W581PD	Storeroom														
W711PD	Apartment Entry														
Non-Keyed Functions															
W101S	Passage	\$107.00						\$119.00							
W161D	Communicating/Exit														
W201D	Patio	108.00						120.00							
W301S	Privacy														
Dummy Trim															
W12	Half Dummy	\$63.00						\$69.00							
W18	Two Sided Dummy	125.00						137.00							

Note: 1) New Finishes (643E, 619, 622) & New Levers (AVA, LAT, LON, BRW, BRK) are not available on W18 function.

ELI (Elite)



HAN (Hana)



		Designs and Finishes			
		E H			
Function	Description	626	605 606 613 625		
Single Cylinder Functions					
W511PD	Entry/Office				
W561PD	Classroom				
W571PD	Corridor				
W581PD	Storeroom	\$68.00			
W711PD	Apartment Entry	\$80.00			
Non-Keyed Functions					
W101S	Passage	\$56.00		\$68.00	
W301S	Privacy	57.00		69.00	
Dummy Trim					
W12	Half Dummy	\$41.00		\$47.00	

Note: 2) Not available with a small rose. Small rose option is for levers only.

Prices subject to change without notice

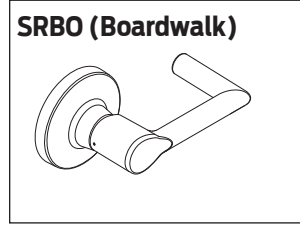
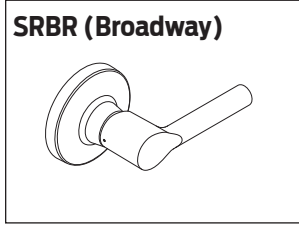
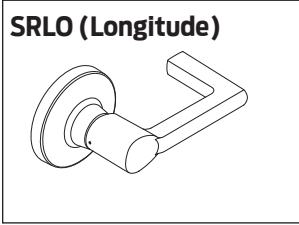
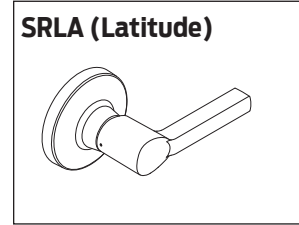
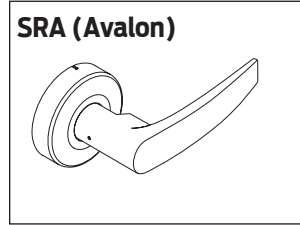
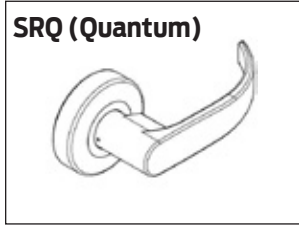
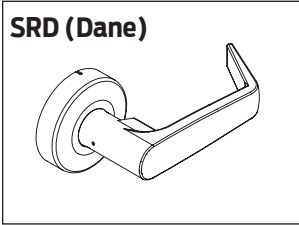
W-Series Small Rose • Levers Complete Locks

LOCKS

Grade 2

Cylindrical

W Series



Small Rose 2-9/16" (65mm)					
		Designs and Finishes			
		SRA, SRD, SRQ, SRLA, SRLO, SRBR, SRBO			
Function	Description	626	643E	605	613 619 622 625
Single Cylinder Functions					
W511	Entry/Office				
W561	Classroom		\$141.00		\$153.00
W581	Storeroom				
Non-Keyed Functions					
W101	Passage		\$115.00		\$127.00
W161	Communicating/Exit				
W301	Privacy		117.00		129.00
Dummy Trim					
W12	Single Dummy		\$67.00		\$73.00

How to Order the Small Rose Option

Small Rose 2-9/16" (65mm)			
Function	Cylinder	Trim	Finish
W511	PD	SRD	626

Prices subject to change without notice

Conventional Cylinder Options - both small and regular rose sizes		
Description	Specify	Add to Lock Price (per core)
5 pinned cylinder	P Suffix Example: W581P	STD
6 pinned cylinder	P6 Suffix Example: W581P6	N/C
6 pinned Competitor keyway cylinders*	P6 Suffix Example: W581P6 (0 Bitted, KD, KA4 only)	\$6.90
Schlage C (6 pin only)	CP6 Suffix Example: W581CP6 (All other keying, not listed above)	N/C

* Competitor keyways are furnished 0 bitted.

Not available Master keyed, except Schlage C. KD option is not available for locks containing 2 cylinders.

- Notes:**
- 1) Finishes: 606, 622, & 626 only.
 - 2) Specify keyway.
 - 3) Cylinders are furnished G keyway, keyed differently unless otherwise specified.
 - 4) Restricted sections add \$11.10 to list price. See page 8 for list of standard keyways. All other keyways are considered restricted. Contact 877-671-7011 for availability.
 - 5) 622 Finish is available only on Allegion cylinders (P, P6, & P7) in C & G Keyways.

W-Series Complete Conventional Cylinders		
Cylinder Mechanism	Part Number For All Other Functions	Price Each
6 Pin Falcon keyway cylinder	Q330-154	\$56.00
6 Pin Schlage C keyway cylinder	Q330-152	
For other cylinders, see pages 141-146.		

- Notes:**
- 6) Finishes for Falcon keyway cylinders are 606, 622, & 626 only.
 - 7) Falcon cylinders are furnished G keyway unless otherwise specified.
 - 8) Restricted sections See page 141. See Restricted Keyway Policy for standard keyway and policy on use of restricted keyway cylinders. Contact 877-671-7011 for availability.

Small Format Interchangeable Core and Small Format Construction Core		
Description	Specify	Add to Lock Price (per core)
Small format core (BEST Style) *	G6/7 Suffix Example: B581G6D	\$46.00
Small format core (Falcon Style) *	GF6/7 Suffix Example: B581GF6D	
Small format construction core **	H Suffix Example: W581HD	46.00
Less Small format core	B Suffix Example: W581BD	N/C
Small format disposable core	BDC Suffix Example: W581BDC	N/C

* Keying must be specified

** Locks are assessed one non-refundable handling charge (50-231F) per core.

- Note:**
- 9) Control keys are not furnished with locks and must be ordered separately. See page 151 for details.
 - 10) 622 Finish is available only on SFIC (G) in C & G Keyways.

Prices subject to change without notice

W-Series - Latch & Strike Options

LOCKS

Latches with Locks

Backset	Description	Specify			Add to Lock Price
		Springlatch 101, 301	Deadlatch 161, 501, 511, 561, 581	Restoring Deadlatch 201, 511**, 571, 711	
2-3/8"*	Square corner, 1-1/8" x 2-1/4"	30-209	30-203	30-200	N/C
	Square corner, 1" x 2-1/4"	30-207	30-201	30-198	
	Radius corner, 1" x 2-1/4"	30-208	30-202	30-199	
2-3/4"	Square corner, 1-1/8" x 2-1/4"	30-206	30-197	30-194	
	Square corner, 1" x 2-1/4"	30-204	30-195	30-192	
	Radius corner, 1" x 2-1/4"	30-205	30-196	30-193	

* 2-3/8" backset is furnished as a 1" faceplate standard.

** W511 Standard offering is the Deadlatch 30-197, however if a Restoring Deadlatch is needed it will have to be ordered 30-194

Grade 2

Strikes with Locks

Description	Lip Length	Specify	Add to Lock Price
ANSI, 1-1/4" x 4-7/8" standard	1-3/8"	30-148	N/C
Square Corner, T-Strike 1-1/8" x 2-3/4"	1-3/8"	30-149	
Radius Corner, Full Lip Strike 1-5/8" x 2-1/4"	1"	30-150	
Square Corner, Full Lip Strike 1-5/8" x 2-1/4"	1"	30-151	

Cylindrical

W Series

Latches as Parts Finishes: 605, 606, 613, 619, 622, 625, 626, 643E

Backset	Description	Specify			List Price
		Springlatch 101, 301	Deadlatch 161, 501, 511, 561, 581	Restoring Deadlatch 201, 511, 571, 711	
2-3/8"	Square corner, 1-1/8" x 2-1/4"	Q330-209	Q330-203	Q330-200	\$11.00
	Square corner, 1" x 2-1/4"	Q330-207	Q330-201	Q330-198	
	Radius corner, 1" x 2-1/4"	Q330-208	Q330-202	Q330-199	
2-3/4"	Square corner, 1-1/8" x 2-1/4"	Q330-206	Q330-197	Q330-194	
	Square corner, 1" x 2-1/4"	Q330-204	Q330-195	Q330-192	
	Radius corner, 1" x 2-1/4"	Q330-205	Q330-196	Q330-193	

Strikes as Parts Finishes: 605, 606, 613, 619, 622, 625, 626, 643E

Description	Lip Length	Specify	List Price
ANSI, 1-1/4" x 4-7/8" standard	1-3/8"	Q330-148	\$11.00
Square Corner, T-strike, 1-1/8" x 2-3/4"	1-3/8"	Q330-149	
Radius Corner, Full Lip Strike 1-5/8" x 2-1/4"	1"	Q330-150	
Square Corner, Full Lip Strike 1-5/8" x 2-1/4"	1"	Q330-151	

Note: 1) Specify finish when ordering.

Shaded items are standard components and are furnished with locks unless otherwise specified.

Prices subject to change without notice

Locks Less Components		
Description	Specify	Deduct from Lock Price
Less standard (conventional) cylinder	L Suffix Example: W581LD DAN	\$7.30
Less latch	LLL Suffix Example: W581PD6 DAN 626 LLL 30-148	6.70
Less strike	LLL Suffix Example: W581GD7 DAN 626 30-206 LLL	6.70

Tactile Warning		
Description	Specify	Per Lever Lock Price
Abrasive Strip*	Preface the design code with 6 Example: W581PD6 6DA (for Dane) For small rose: preface the design code with 6S Example for Small Rose: W501PD 6SD (for Dane) 6SQ (for Quantum)	\$55.60

* Not available in 613 or on Avalon, Latitude, Longitude, Broadway and Boardwalk

Screws			
Part Number	Description	Finishes	List Price
Q005-085	Screw Pack — Knobs	605, 606, 613, 625, 626	\$6.20
Q330-170	Screw Pack	605, 606, 613, 625, 626	6.20
Q330-182	Screw Pack — Dummy Trim	—	4.40
Q330-179	Screw Pack — Small Rose	605, 606, 613, 625, 626	6.20

Miscellaneous Parts		
Part Number	Description	List Price
Q330-164	Conventional Cylinder tailpiece for all keyed functions	\$4.40
Q330-168	SFIC Tailpiece (throw member for levers)	
Q330-169	SFIC Tailpiece (throw member for knobs)	
Q330-282	Inside Spring Cage Kit	10.60
Q330-448	Inside Spring Cage Kit, Small Rose	11.90
Q330-447	Outside Spring Cage Kit, Small Rose	11.90
Q033-026	Cylinder Lever Insert	0.26

Prices subject to change without notice

LOCKS

Grade 2

Cylindrical

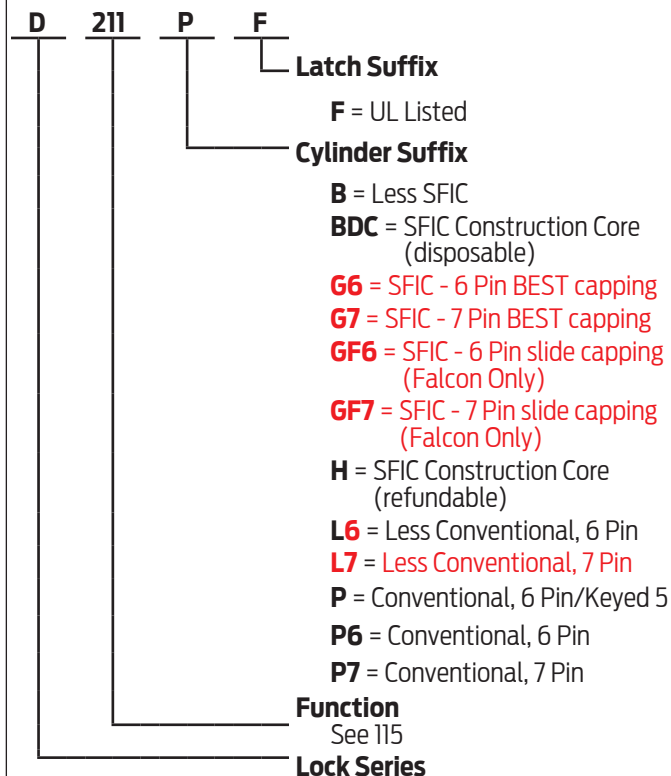
W Series

Prices subject to change without notice

Table of Contents

Funcion Chart 115
Complete Lock Pricing 116
Options
 Deadbolts 117
 Strikes 117
 Small Format Interchangeable Cores..... 118
 Small Small Construction Cores 118
 Lock Less Components 119
 Conventional Cylinder Options..... 119
Parts
 Trim..... 120
 Deadbolts 120
 Keys..... 120
 Strikes 121
 Adapters..... 121
 Screws..... 122
 Screw Packs 123

Product Identification



SFIC = Small Format (Best® Style) Interchangeable Core

Finish Codes and Descriptions

Code		Description
605	(US3)	Bright Brass
606	(US4)	Satin Brass
613	(US10B)	Oil Rubbed Bronze
619	(US15)	Satin Nickel
622	(US19)	Matte Black
643e	(US11)	Aged Bronze
625	(US26)	Bright Chrome
626	(US26D)	Satin Chrome

Standard Features - Furnished unless otherwise specified

Certification	BHMA - ANSI A156.5, 2001, Grade 2 (except D261M) auxiliary lock, Available UL Listed for 3-Hour fire door
Deadbolt	1-1/8" x 2-1/4", Square corner faceplate, 1" housing diameter, 1" throw
Strike	1-1/8" x 2-3/4", lipless, with box
Cylinder	6-Pin, Solid brass, Keyed 5-Pin, Falcon G keyway, Keyed different (KD)
Door Range	1-3/8" - 2-1/4" standard cylinder or thumbturn only; 1-5/8" - 2" interchangeable core cylinder
Keys	Two, Nickel silver cut keys per lock, Falcon G keyway
Reinforcement	Metal dust box reinforcer with three - 3" screws
Trim Ring	1" Wrought brass or bronze, reinforced with security insert
Backset	2-3/8" and 2-3/4" adjustable



Prices subject to change without notice

D200 Series

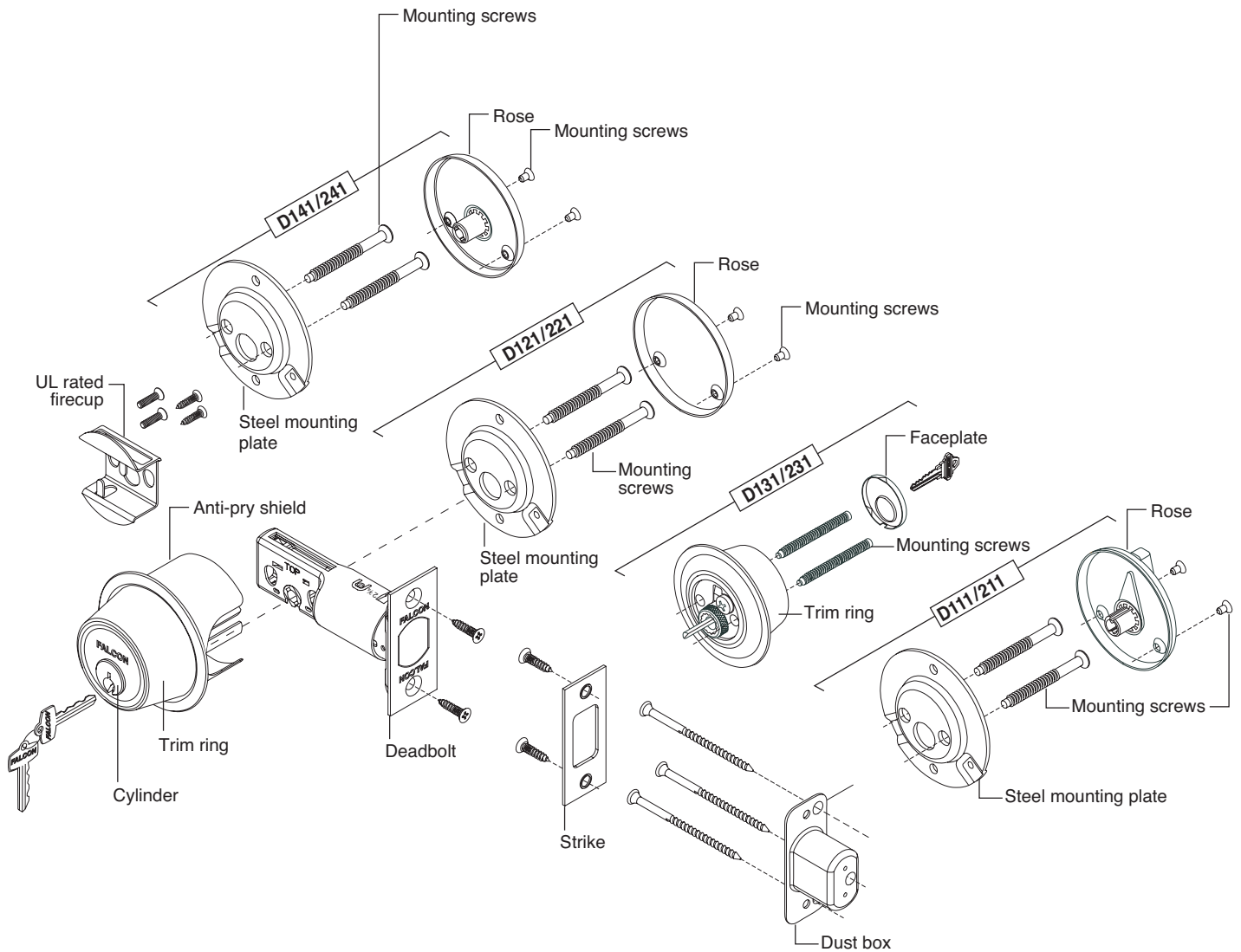
GRADE 2 DEADBOLT

LOCKS

Grade 2

Deadbolt

D200 Series



Prices subject to change without notice

**BHMA / ANSI A156.5, 2001, Grade 2
Bored Deadbolt Locks**

FALCON ANSI

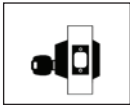
D211P E0172



Classroom Function

Deadbolt thrown or retracted by key from outside. Inside turn will only retract bolt. Bolt automatically deadlocks when fully thrown.

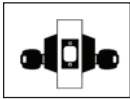
D221P E0162



Single Cylinder x Rose

Deadbolt thrown or retracted by key only. Blank plate inside. Bolt automatically deadlocks when fully thrown.

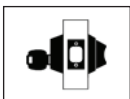
D231P E0142



Double Cylinder*

Deadbolt thrown or retracted by key from either side. Bolt automatically deadlocks when fully thrown.

D241P E0152



Single Cylinder x Turn

Deadbolt thrown or retracted by key or by turn. Bolt automatically deadlocks when fully thrown.

D251



Thumbturn x Thumbturn

Deadbolt thrown or retracted by turn unit from either side. Application for storm shelters. Bolt automatically deadlocks when fully thrown.

D261 E0192



Thumbturn, Inside Only

Deadbolt thrown or retracted by turn unit only. No outside trim. Bolt automatically deadlocks when fully thrown.

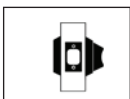
D261M E01112



Thumbturn, Inside x Rose

Deadbolt thrown or retracted by turn unit only. Outside blank rose. Bolt automatically deadlocks when fully thrown.

D271



Thumbturn x Occupancy Indicator

Deadbolt thrown or retracted by turn unit only. Occupancy indicator on outside (reads either in use or vacant with color coding). Bolt automatically deadlocks when fully thrown.

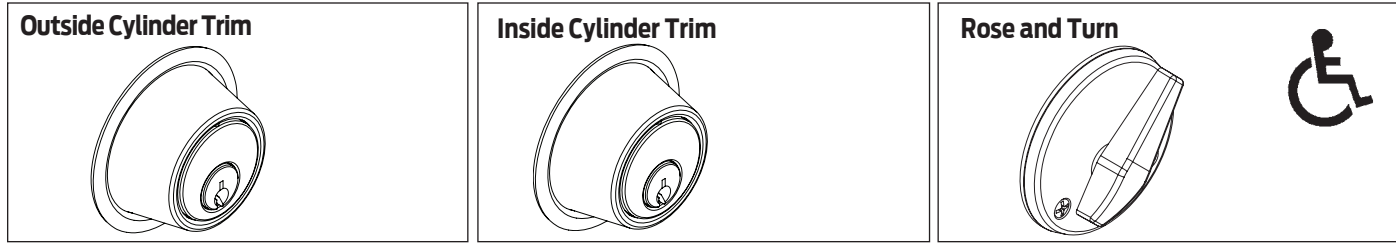
Note: This function is not UL Listed.

* **Caution:** Double cylinder locks on residences and any door, in any structure, which is used for egress are a life safety hazard in times of emergency and their use is not recommended. Installation should be in accordance with existing codes only.

Prices subject to change without notice

D200-Series - Complete Locks

LOCKS



Grade 2

Deadbolt

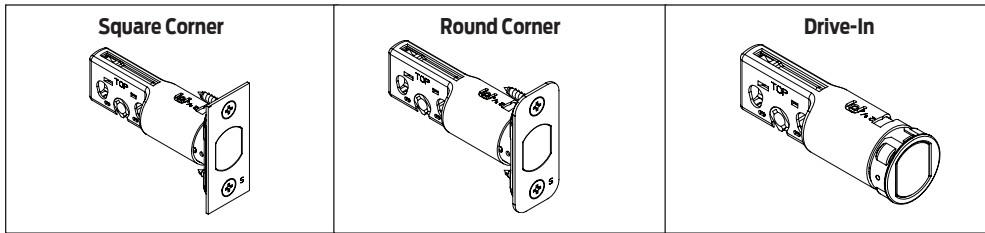
D200 Series

D-200 Series		Designs and Finishes					
Function	Description	626	643e	605	606	613	619 622 625
Keyless							
D251	Turn x Turn						
D261	Turn, Inside Only		\$58.00			\$64.00	
D261M	Turn, Inside x Rose						
D271	Turn, Inside x Occupancy Indicator		59.00			65.00	
Single Cylinder Functions							
D211P	Classroom Function		\$78.00			\$84.00	
D221P	Single Cylinder x Rose						
D241P	Single Cylinder x Turn		75.00			81.00	
Double Cylinder Functions							
CAUTION: Double cylinder locks on residences and any door in any structure which is used for egress are a life safety hazard in times of emergency and their use is not recommended. Installation should be in accordance with existing codes only.							
D231P	Double Cylinder		\$99.00			\$105.00	

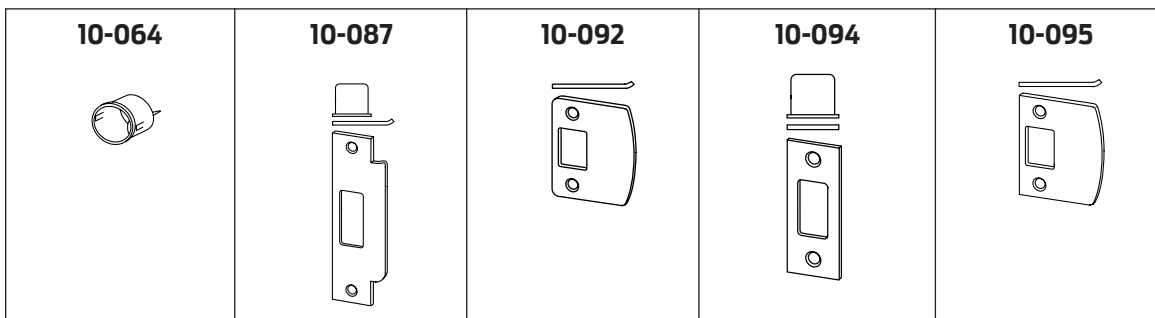
- Notes:**
- 1) Split finishes are priced at the highest finish price.
 - 2) D271 Occupancy Indicator deadbolt is shipped with emergency key (61-509) and instructions.
 - 3) 'F' Suffix must be added for UL product

Prices subject to change without notice

Bolt & Strike Options - D200 Series



Deadbolts with Locks				
Backset	Description	HSG Dia	Specify	Add to Lock Price
2-3/8" or 2-3/4"	Square corner, 1-1/8" x 2-1/4", standard	1"	30-253	N/C
	Square corner, 1" x 2-1/4"		30-175	
	1/4" Radius round corner, 1" x 2-1/4"		30-177	
	Circular, Drive-In bolt, 626 only		30-254	
For UL Listed Locks				
2-3/8" or 2-3/4" UL	Square corner, 1-1/8" x 2-1/4", standard	1"	30-173	N/C
	Square corner, 1" x 2-1/4"		30-171	
	Circular, Drive-In bolt, 626 only		30-258	

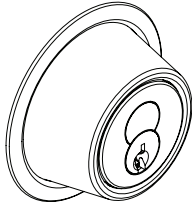


Strikes with Locks			
Description	Lip Length	Specify	Add to Lock Price
Drive-In thimble strike, 1-3/16" dia.	1"	10-064	N/C
ANSI, 1-1/4" x 4-7/8", with box	1-1/8"	10-087	\$6.40
Full Lip, 1/4" radius corner, 1-5/8" x 2-1/4", no box	1-5/16"	10-092	N/C
Square Corner with metal dust box, 1-1/8" x 2-3/4", standard	-	10-094	
Full Lip, square corner, 1-5/8" x 2-1/4", no box		10-095	
ANSI Dust Box 1" Deep, Steel		005099-000-30	
Strike Reinforcer, used with 10-094		37-016	

Shaded items are standard components and are furnished with locks unless otherwise specified.

Prices subject to change without notice

Small Format Interchangeable Core



Small Format Interchangeable Core and Small Format Construction Core

Description	Specify	Add to Lock Price (per core)
Small format core (BEST Style) *	G6/7 Suffix Example: D211G6	\$46.00
Small format core (Falcon Style) *	GF6/7 Suffix Example: D211GF6	
Small format construction core **	H Suffix Example: D211HD	46.00
Less Small format core	B Suffix Example: D211BD	N/C
Small format disposable core	BDC Suffix Example: D211BDC	N/C

* Keying must be specified

** Locks are assessed one non-refundable handling charge (50-231F) per core.

- Notes:**
- 1) Split finishes are priced at the highest finish price.
 - 2) Key section must be specified and applicable charges for restricted sections will be applied. See page 141
 - 3) Control keys are not furnished with locks and must be ordered separately. See page 151 for details.
 - 4) Adapter kit 36-071 required for interchangeable core cylinders on 1-3/8" doors.

Prices subject to change without notice

Lock Less Components		
Description	Specify	Deduct from Lock Price
Less deadbolt	LLL for latch Example: D211P 605 30-171 LLL	\$10.10
Less strike	LLL for strike Example: D211L	3.30
Less conventional cylinder	L suffix Example: D211L	18.60
Less conventional cylinder D231	L suffix Example: D231L	37.20

Conventional Cylinder Options		
Description	Specify	Add to Lock Price (per core)
5 pinned cylinder	P Suffix Example: D211P	STD
6 pinned cylinder	P6 Suffix Example: D211P6	N/C
7 pinned cylinder (Not available on D231)	P7 Suffix Example: D211P7	\$11.90
6 pinned Competitor keyway cylinders*	P6 Suffix Example: D211P6 (0 Bitted, KD, KA4 only)	N/C

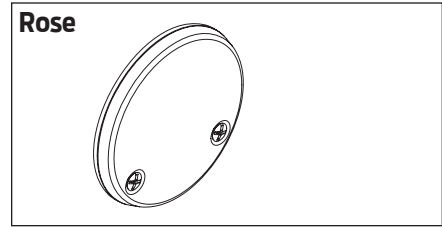
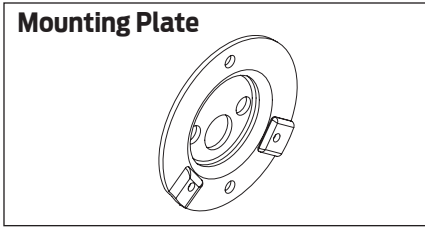
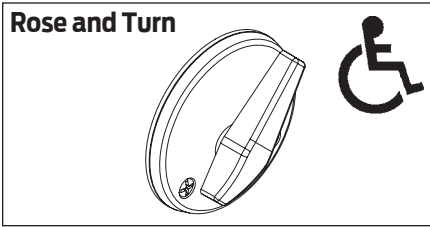
* Specify specific competitor keyway on order. Competitor keyways are furnished 0 bitted, unless otherwise specified. Not available Master keyed, except Schlage C. KD option is not available for locks containing 2 cylinders.

D200-Series Complete Conventional Cylinders		
Cylinder Mechanism	Part Number	Price Each
5 Pin Cylinder - D211, D241	Q500-067	\$56.00
5 Pin Cylinder - D221	Q500-069	
5 Pin Cylinder - D231	Q500-072	
6 Pin Cylinder - D211, D241	Q500-010	
6 Pin Cylinder - D221	Q500-056	
6 Pin Cylinder - D231	Q500-012	
7 Pin Cylinder - D211, D241	Q500-014	71.00
7 Pin Cylinder - D221	Q500-057	

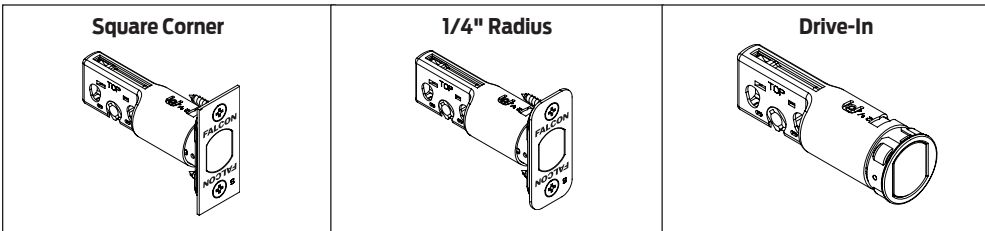
- Notes:**
- 1) Finishes: 606 and 626 only
 - 2) Specify keyway
 - 3) Cylinders are furnished G keyway, keyed differently unless otherwise specified.
 - 4) Restricted sections add \$11.10 to list price. See page 8 for list of standard keyways. All other keyways are considered restricted. Contact 877-671-7011 for availability.

Prices subject to change without notice

LOCKS
Grade 2
Deadbolt
D200 Series



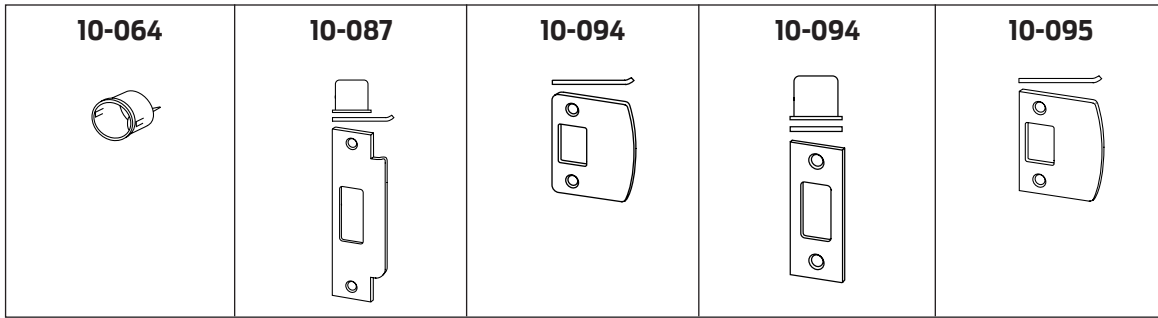
Trim			
Part Number	Specify Finish	Description	Price Each
B302-041	.	Rose and Turn	\$45.80
B302-045	.	Rose and Turn (D211)	45.80
12-626	.	Blank Rose (D221)	26.10
B600-018	.	Mounting plate for rose and rose & turn	10.60



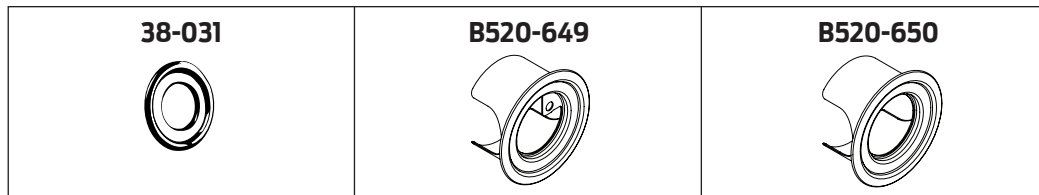
Deadbolts				
Part Number	Specify Finish	Housing Diameter	Description	Price Each
Q330-253	.	2-3/8" or 2- 3/4" Universal	Square corner, 1-1/8" x 2-1/4" faceplate	\$16.70
Q330-175	.		Square corner, 1" x 2-1/4" faceplate	
Q330-177	.		1/4" radius corner, 1" x 2-1/4" faceplate	
Q330-254	626		1" circular drive-in, 626 only	

Keys - Emergency For Occupancy Indicator		
Part Number	Description	Price Each
61-509	Emergency Release Key – Standard Size for Occupancy Indicator	\$11.00
61-510	Emergency Release Key – Large Size for Occupancy Indicator	21.50

Prices subject to change without notice



Strikes				
Part Number	Specify Finish	Description	Lip Length	Price Each
10-064	.	Drive-In, thimble strike, 1-3/16" deep	-	\$17.20
10-087	.	ANSI, 1-1/4" x 4-7/8, with box	1-1/8"	23.60
10-094	.	Square corner with metal dust box, 1-1/8" x 2-3/4"	-	12.20
10-092	.	Full lip, 1/4" radius corner, 1-5/8" x 2-1/4", no box	1-5/16"	7.90
10-095	.	Full lip, square corner, 1-5/8" x 2-1/4", no box		
J250-028		2" strike mounting screws		7.90
5075	.	Security Strike	-	9.30



Adapters			
Part Number	Specify Finish	Description	Price Each (per finish)
			605 606 613 625 626
38-031	.	2-1/2" diameter adapter ring for 2-1/8" door prep, for under cylinder	\$19.60
B520-649	.	Trim ring w/shield for D131/D141	24.20
B520-650	.	Trim ring w/shield for IC functions	24.20
36-071	.	1-3/8" IC Core thin door shim kit, contains 36-066 & 36-068	15.00

Prices subject to change without notice

LOCKS

Grade 2

Deadbolt

D200 Series

Screws						
Part Number	Specify Finish	Description		Application		Price Each (Order in multiples of 100)
		Size	Type	Use	Door Thickness	
Keyed, Single Conventional Cylinder						
B600-100		1/4"-28 x 1-15/16"	POH mach.	Mounting	1-3/8" - 1-3/4"	\$2.50
B600-101		1/4"-28 x 2.425"	POH mach.	Mounting	over 1-3/4"	
B600-066	.	6-32 x 1/4"	PH mach.	Turn	-	
B520-298		10-32 x 3/8"	PH mach.	Anti-pry shield	-	0.80
Keyed, Single SFIC Cylinder						
B600-100		1/4"-28 x 1-15/16"	POH mach.	Mounting	1-3/8" - 2-1/4"	2.50
B600-066	.	6-32 x 1/4"	PH mach.	Turn	-	
Keyed, Double Conventional Cylinder						
B600-047		1/4"-28 x 3-13/16"	PH mach.	Mounting	1-3/8" - 1-3/4"	2.50
B600-078		1/4"-28 x 3-29/64"	PH mach.	Mounting	over 1-3/4"	
B520-298		10-32 x 3/8"	PH mach.	Anti-pry shield	-	0.80
Keyed, Double SFIC Cylinder						
B600-053		1/4"-28 x 3-61/64"	PH mach.	Mounting	1-3/4" - 2-1/4"	2.50
B520-298		10-32 x 3/8"	PH mach.	Anti-pry shield	-	0.80
All Functions						
C603-897	.	#8 x 3/4"	PFH combo	Deadbolt & strike	-	0.92
J250-028		#8 x 2"	PFH wood	2" strike screw	-	2.10
R525-256		#12 x 3"	PFH wood	3" metal dust box	-	

Prices subject to change without notice

Screw Packs				
Part Number	Specify Finish	Door Thickness	Contents	Price Each
Keyed, Single Conventional Cylinder				
61-506	.	1 3/8" - 2 1/4"	(2) B600-048 (2) F605-359 (4) C603-897 (1) B600-018 (2) B600-066	\$18.30
Keyless, D261M, D271				
61-504	.	1-3/8" - 1-3/4"	(2) B520-662 (4) C603-897 (2) B600-066 (4) B600-018	23.80
61-505	.	1-3/4" - 2-1/4"	(2) B520-663 (4) C603-897 (2) B600-066 (4) B600-018	23.80
Keyed, Single Conventional Cylinder				
61-500	.	1 3/8" - 1 3/4"	(1) B600-018 (2) B600-100 (2) B600-066 (4) C603-897	15.00
61-501	.	over 1 3/4" - 2 1/4"	(1) B600-018 (2) B600-101 (2) B600-066 (4) C603-897	15.00
Keyed, Single SFIC Cylinder				
61-500	.	1 3/8" - 2"	(1) B600-018 (2) B600-100 (2) B600-066 (4) C603-897	15.00
Keyed, Double Conventional Cylinder				
61-502	.	1 3/8" - 1 3/4"	(2) B600-047 (4) C603-897	11.40
61-503	.	over 1 3/4" - 2 1/4"	(2) B600-078 (4) C603-897	11.40
Keyed, Double SFIC Cylinder				
61-507	.	1 3/8" - 2"	(2) B600-053 (4) C603-897	11.40

Prices subject to change without notice

LOCKS

Grade 2

Deadbolt

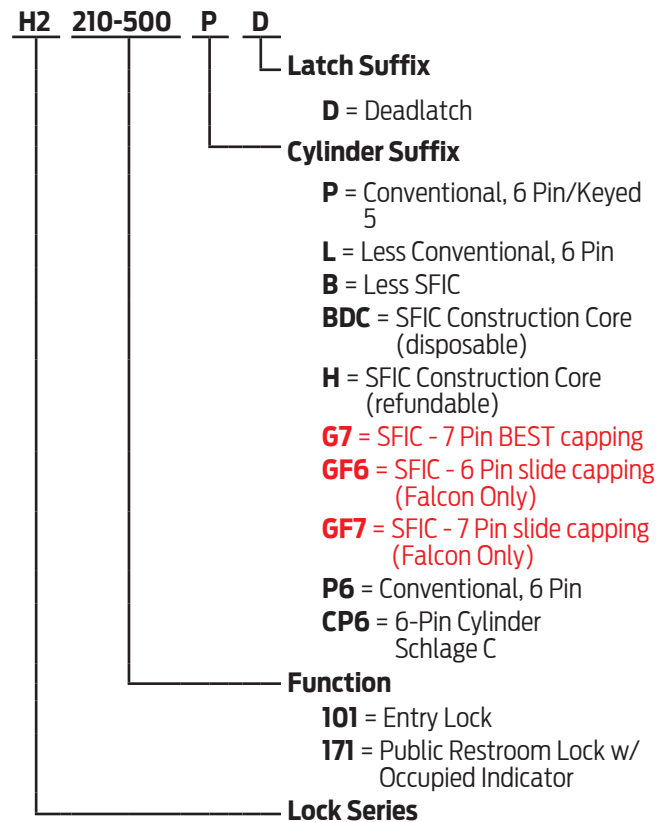
D200 Series

Prices subject to change without notice

Table of Contents

Functions	127
Complete Locks	128
Options	
Deadbolts/Deadlatches.....	131
Deadbolt Strikes.....	131
Strike Combinations.....	131
Lock Less Components.....	131
Parts	
Deadbolts.....	132
Deadlatches.....	132
Deadbolt/Deadlatch Combinations.....	132
Deadbolt Strikes.....	132
Deadlatch Strikes.....	132
Deadbolt/Deadlatch Strike Combinations.....	132
Screw/Screw Packs.....	133
Complete Cylinders	See Cylinders Section
How to Order	Forms & Examples

Product Identification



SFIC = Small Format (Best® Style) Interchangeable Core

Finish Codes and Descriptions

Code		Description
605	(US 3)	Bright Brass
619	(US 15)	Satin Nickel
625	(US 26)	Bright Chromium Plated
626	(US 26D)	Satin Chromium Plated
643e	(US 11)	Aged Bronze
622		Matte Black

Standard Features



- Certification:** ANSI/BHMA Certified A156.12-2013, Grade 2, UL listed for 3-hour fire door
With SFIC interchangeable core cylinders: Grade 3 Security
- Deadbolt:** 1 X 2-1/4", dual option faceplate, (square corner standard, round corner included in package), 1" housing diameter, 1" throw
- Latch:** 1" x 2-1/4" dual option faceplate (square corner standard, round corner included in package). 1" edge bore required
- Strikes:** 1-1/8" X 2-3/4", Square corner (deadbolt) and 1-5/8" X 2-1/4", Square corner, T-strike, box, 1 1/8" x 2 3/4" (Deadlatch)
- Backset:** Adjustable backset, fits 2-3/8" or 2-3/4"
- Cylinders:** 6-pin, solid brass, keyed 6-pin, G keyway, keyed different (KD)
- Door Range:** 1-3/4" to 2" standard (1-3/8" available, must be specified)
- Keys:** Nickel silver cut keys, 6-pin, G keyway
- Center to Center:** Fits 4" or 5 1/2" (factory default) center to center door preps

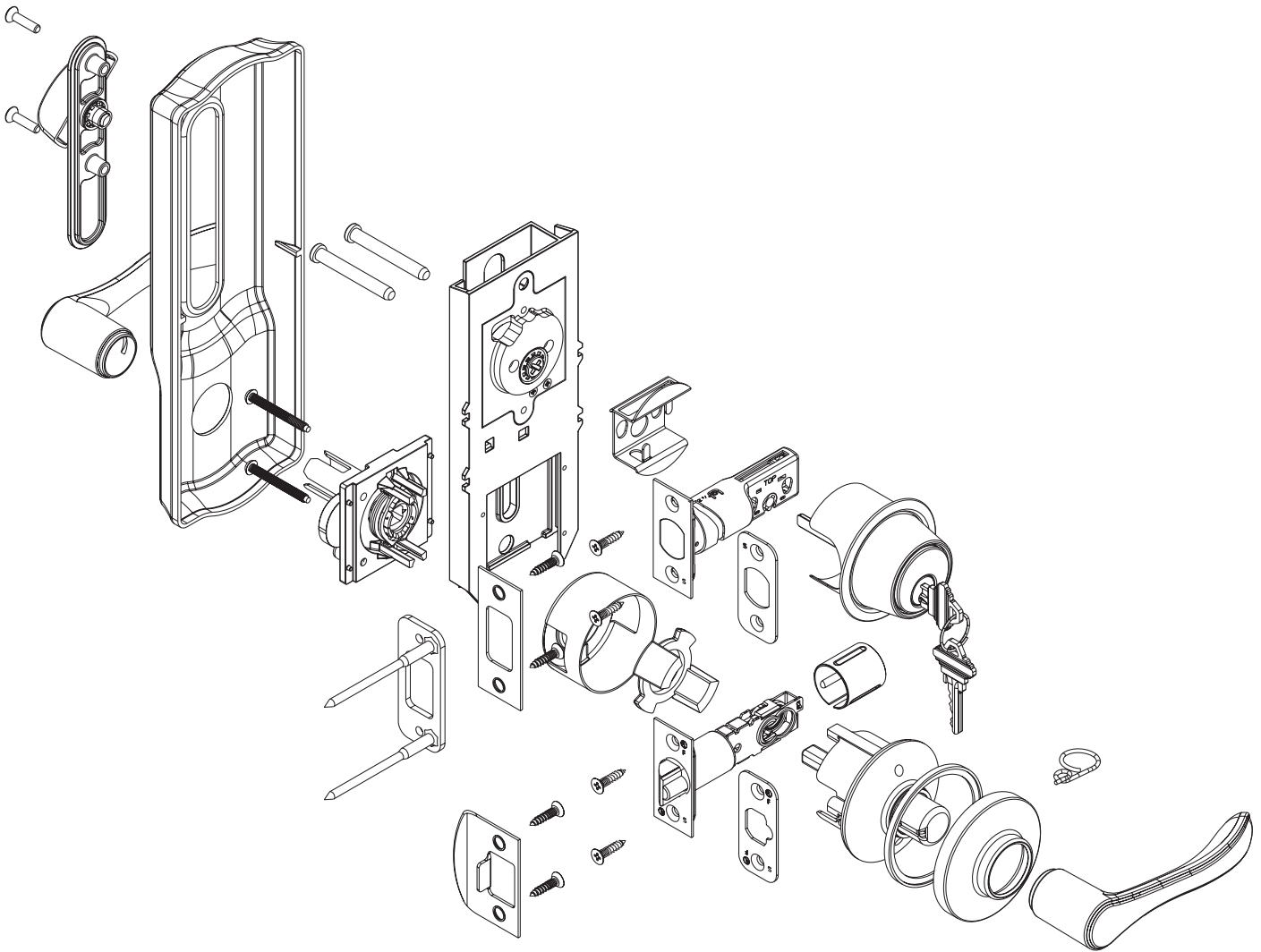
Prices subject to change without notice

H2 Series

GRADE 2 INTERCONNECT LOCK

LOCKS

Interconnected



Prices subject to change without notice

ANSI/BHMA Certified A156.12-2013, Grade 2, UL Listed for 3-hour fire door.

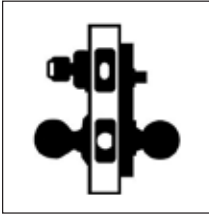
FALCON ANSI

FALCON ANSI

H2101 F95

Entrance Lock

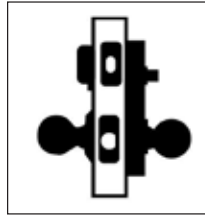
Deadbolt operated by key from outside or by turn unit from inside. Bolt automatically deadlocks when fully thrown. Latch retracted by lever from either side. Turning inside lever retracts deadbolt and latch simultaneously for immediate exit.



H2171

Public Restroom Lock with Occupancy Indicator

Latchbolt retracted by lever from either side. Deadbolt thrown or retracted by turn inside or retracted by emergency key outside. Rotating turn from inside extends deadbolt and changes visual message on outside from vacant to occupied. Inside lever simultaneously retracts deadbolt and latch.



Prices subject to change without notice

H2-Series • Complete Locks

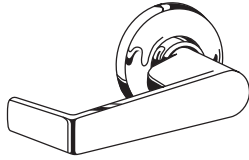
LOCKS

Interconnected

Avalon (AVA)



Dane (DAN)

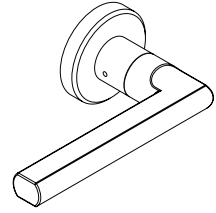


Flair (FLA)



Specify hand

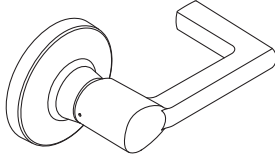
Latitude (LAT)



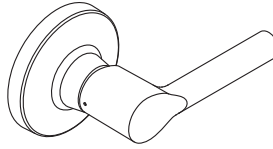
Quantum (QUA)



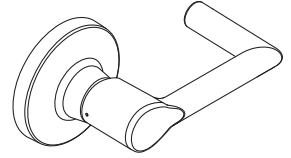
Longitude (LON)



Broadway (BRW)



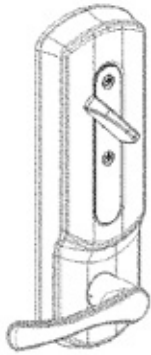
Boardwalk (BRK)



Prices subject to change without notice

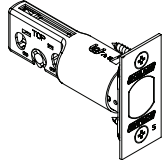
Escutcheons

Plymouth (PLY)

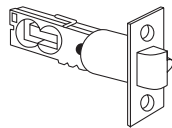


Latches

Q330-041



Q100-101

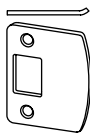


Strikes, Deadbolts

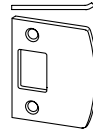
10-094
Standard



10-092



10-095

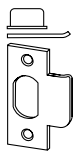


10-116

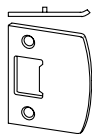


Strikes, Deadlatches

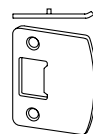
10-001



10-026
Standard



10-027



Prices subject to change without notice

H2-Series • Complete Locks

LOCKS

Interconnected

Function	Description	Design and Finishes					
		AVL DAN FLA LAT QUA LON BRW BRK					
		626	643E	605*	619	622	625
H2101	Entrance Lock - Deadbolt Single Cylinder	\$314.00		\$326.00			
H2171	Public Restroom with Occupancy Indicator - No Cylinder (Interior Locking Only)	414.00		426.00			

Specify both outside and inside designs if split.

*605 finish not available for LON and BRK lever designs.

Prices subject to change without notice

Deadbolts/Deadlatches				
Combo Part Number	Deadbolt	Deadlatch	Backset - Hsg Dia. - Description	Lock Adjustment
Q100-100	Q330-041	Q100-101	2 3/8" or 2 3/4" - 1" - Dual Option, 1" x 2 1/4", standard (square corner standard, round corner included in the package)	N/C

Deadbolt Strikes			
Part Number	Lip Length - Description		Lock Adjustment
10-094	N/A - Square corner, 1 1/8" x 2 3/4"		N/C
10-092	1 1/8" - 1/4" Radius round corner, full lip, no box, 1 5/8" x 2 1/4"		
10-095	1 1/8" - 1/4" Square corner, full lip, no box, 1 5/8" x 2 1/4"		
10-116	N/A - Round corner strike, no lip, 1 1/8" X 2 3/4"		

Deadlatch Strikes			
Part Number	Lip Length - Description		Lock Adjustment
10-001	1 1/8" - Square corner, T-strike, box, 1 1/8" x 2 3/4"		N/C
10-026	1 1/8" - Square corner, full lip, no box, 1 5/8" x 2 1/4"		
10-027	1 1/8" - 1/4" Radius round corner, full lip, no box, 1 5/8" x 2 1/4"		

Strike Combinations			
Deadbolt Strike	Deadlatch Strike	Specify Combo Number	Add to Lock Price
10-094	10-001	10-109	N/C
10-094	10-026	10-121	
10-116	10-027	10-122	
10-092	10-027	10-123	
10-095	10-026	10-124	

Conventional Cylinder Options		
Description	Specify	Add to Lock Price (per core)
5 pinned cylinder	P Suffix Example: H2101P	STD
6 pinned cylinder	P6 Suffix Example: H2101P6	
6 pinned Competitor keyway cylinders* available on H101, H511 only	P6 Suffix Example: H2101P6 (0 Bitted, KD, KA4 only)	N/C

* Specify specific competitor keyway on order. Competitor keyways are furnished 0 bitted, unless otherwise specified. Not available Master keyed, except Schlage C. KD option is not available for locks containing 2 cylinders.

- Notes:**
- 1) Finishes: 606, 622, 626 and 643e
 - 2) Specify keyway
 - 3) Cylinders are furnished G keyway, keyed differently unless otherwise specified.
 - 4) Restricted sections add \$11.10 to list price. See page 8 for list of standard keyways. All other keyways are considered restricted.

Small Format Interchangeable Core and Small Format Construction Core		
Description	Specify	Add to Lock Price (per core)
Small format core (BEST Style) *	G6/7 Suffix Example: H2101G6	\$46.00
Small format core (Falcon Style) *	GF6/7 Suffix Example: H2101G6	
Small format construction core **	H Suffix Example: H2101HD	46.00
Less Small format core	B Suffix Example: H2101BD	N/C
Small format disposable core	BDC Suffix Example: H2101BDC	N/C

* Keying must be specified

** Locks are assessed one non-refundable handling charge (50-231F) per core.

Notes: 5) Control keys are not furnished with locks and must be ordered separately. See page 151 for details

Locks Less Components		
Description	Specify	Deduct from Lock Price
Less deadbolt strike	LLL for deadbolt strike Example: H2101 DAN 12-339 LLL/10-001	N/C
Less deadlatch strike	LLL for deadlatch strike Example: H2101 DAN 12-339 LLL/10-094	N/C
Less both levers	LLL for both Levers Example: H2101 LLL/DAN LLL	\$12.40
Less Conventional Cylinder	L suffix Example: H2101LD/DAN	19.20

Prices subject to change without notice

Shaded items are standard components and are furnished with locks unless otherwise specified.

H2-Series • Parts

LOCKS

Interconnected

Deadbolts									
Available Finishes - Specify for Listed Parts					605	619	626	643e	622
Q330-041, Q330-177, Q330-175					▪	▪	▪	▪	▪
Part Number	Backset - Description				Price Each				
Q330-041	2 3/8" or 2 3/4" - 1" Square corner, 1" x 2 1/4"				\$41.30				
Q330-177	2 1/4" Standard Round Corner standard				16.70				
Q330-175	2 1/4" standard Square Corner standard				16.70				

Deadlatches									
Available Finishes - Specify for Listed Parts					605	619	626	643e	622
Q100-101, Q100-102					▪	▪	▪	▪	▪
Part Number	Backset - Description				Price Each				
Q100-101	2 3/8" or 2 3/4" adjustable backset, Square corner, 1" x 2 1/4" Round corner, 1" x 2 1/4", included w/o screws				\$36.70				
Q100-102	2 3/8" or 2 3/4" adjustable backset, 2 1/4" - 1" Square corner, 1" x 2 1/4" Round corner, 1" x 2 1/4", included w/screws								

Deadbolt/Deadlatch Combinations									
Available Finishes - Specify for Listed Parts					605	619	626	643e	622
Q100-100					▪	▪	▪	▪	▪
Part Number	Backset - Description	Deadbolt	Deadlatch	Price Each					
Q100-100	2 3/8" or 2 3/4" - Dual Option, 1" x 2-1/4" w/ screws	Q330-041	Q100-101	\$78.00					

Deadbolt Strikes									
Available Finishes - Specify for Listed Parts					605	619	626	643e	622
10-094, 10-092, 10-095					▪	▪	▪	▪	▪
Part Number	Lip Length - Description				Price Each				
10-094	N/A - Square corner, 1 1/8" x 2 3/4"				\$12.20				
10-092	1 1/8" - 1/4" Radius round corner, full lip, no box, 1 5/8" x 2 1/4"				7.90				
10-095	1 1/8" - Square corner, full lip, no box, 1 5/8" x 2 1/4"								
10-116	N/A - Round corner strike, no lip, 1 1/8" X 2 3/4"				13.70				
37-016	Strike reinforce, use with 10-094 and 10-116				16.20				

Deadlatch Strikes									
Available Finishes - Specify for Listed Parts					605	619	626	643e	622
10-001, 10-026, 10-027					▪	▪	▪	▪	▪
Part Number	Lip Length - Description				Price Each				
10-001	Square corner, T-strike, box, 1 1/8" x 2 3/4"				\$6.50				
10-026	1 1/8" - Square corner, full lip, no box, 1 5/8" x 2 1/4"				7.60				
10-027	1 1/8" - 1/4" Radius round corner, full lip, no box, 1 5/8" x 2 1/4"								

Deadbolt/Deadlatch Strike Combinations									
Available Finishes - Specify for Listed Parts					605	619	626	643e	622
10-109, 10-121, 10-122, 10-123, 10-124					▪	▪	▪	▪	▪
Part Number	Deadbolt Strike	Deadlatch Strike		Price Each					
10-109	10-094	10-001		\$18.70					
10-121	10-094	10-026		19.80					
10-122	10-116	10-027		21.30					
10-123	10-092	10-027		15.50					
10-124	10-095	10-026							

Prices subject to change without notice

Screw/Screw Packs								
Available Finishes - Specify for Listed Parts				605	619	626	643e	622
B202-578, S206-504				▪	▪	▪	▪	▪
Part Number	Description	Contents	Price Each					
B202-578	Latch and strike	(4) C603-897	\$8.50					
S206-504	Chassis & trim	(2) B600-100 (2) B520-621 (2) F506-278	6.70					
S206-505	Chassis & Trim, Thick Door	(2) B600-101 (2) B520-621 (2) F506-278	6.70					
S206-506	Indicator Function	(2) B520-663 Screw, Indicator Mounting (2) B520-621 Screw, Thumbturn Mounting (2) F506-278 Screw, Mounting (1) Q001-103 Driver Bar	11.00					
B502-873*	Screw, reinf. strike	-	0.60					
* Order in multiples of 100								

LOCKS
Interconnected

Prices subject to change without notice

Prices subject to change without notice

Table of Contents

Conventional Cylinders 136
 Interchangeable Cores 141
 IC Cylinders and Cabinet Locks 142
 Conventional Keys and Blanks 143
 IC Keys and Key Blanks,
 Disposable Construction Core 144
 Keys & Keying Construction Core Program 145
 Cams, Tailpieces, Throw Members 146
 Cylinder Parts and Service Equipment 147
 IC Cams, Throw Members, etc 148
 IC Service Equipment & Supplies 149
 Keying and Stamping Charges 150

Finish Codes and Descriptions*

Code		Description
605	(US 3)	Bright Brass-Clear Coated
606	(US 4)	Satin Brass-Clear Coated
613	(US 10B)	Satin Bronze-Dark Oxidized and Oil Rubbed
619	(US15)	Satin Nickel
622		Matte Black
643e		Alternate 613 finish
626	(US 26D)	Satin Chromium
629	(US32)	Bright Stainless Steel
630	(US 32D)	Satin Stainless Steel

* See individual products for finish availability.

Standard Features - Furnished unless otherwise specified



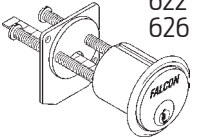
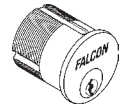

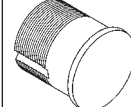
Standard Cylinder Solid Brass housings and plugs. Standard Keyway is Falcon G keyway. Keyed different furnished unless otherwise specified (additional charges may apply, See page 156 for keying charges) with 2 nickel silver keys. Mortise cylinder standard lengths are 1-1/8" for conventional cylinders and 1-3/8" for small format interchangeable core housings.

SFIC Furnished in A keyway unless otherwise specified. Combined cores are provided with 2 keys.

Restricted Keyways Falcon has a varied selection of restricted keyways for conventional and SFIC cylinders based on geographic restrictions for usage. Minimum cylinder purchase required. See your Security and Safety Consultant for more information or availability.

Prices subject to change without notice

Conventional Cylinders

	951	Available in: 605 606 613 619 622 625 626 630 643e		985	Available in: 605 606 613 619 622 625 626 630 643e		986T	Available in: 605 606 613 619 622 626 630 643e		985D	Available in: 605 606 613 619 622 625 626 630 643e
---	------------	--	---	------------	--	---	-------------	--	--	-------------	--



MA and M Series Conventional Rim and Mortise Cylinders

Pins	Length	Description	Number	626, 643e	605 606 613 630 619/622/625		
5 or 6	1-1/8	Mortise	985	\$63.00	\$66.00		
	1-1/4		986				
	1-3/8		987				
5, 6, or 7	1-1/2	Mortise	988	82.00	85.00		
	1-3/4		990	105.00	108.00		
	2		992	110.00	113.00		
	6		1-1/8	Mortise, hotel function*	250	82.00	85.00
			1-1/4		251		
6	1-3/8	252					
7	1-3/8	253					
5, 6, or 7	-	Rim	951		63.00		
-	1-1/8	Mortise, thumbturn	985T	98.00	101.00		
-	1-1/4		986T				
-	1-1/8		973				
-	1-1/8	Mortise, classroom thumbturn (RH, CCW)	974				
-	1-1/8	Mortise, classroom thumbturn (LH, CW)					
-	1	Dummy	984D	38.00	41.00		
-	1-1/8		985D				

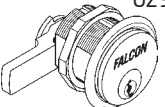
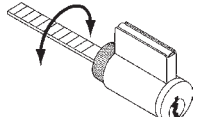
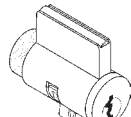
*Hotel mortise cylinders are offered as masterkeyed or "O" bitted only and must be specified.

Notes: 1) MA cam (5622-STD) provided unless otherwise specified. See page 154 for additional available cams.

2) Mortise and rim cylinders are not available in any competitor keyway, except Schlage C. **MA451 (Hotel Function) is not available in Schlage C keyway for conventional cylinders.**

3) 984D, 985D not available in 629 and 630.

4) Add \$11.10 (list) for Falcon restricted keyways. See page 8 for for standard keyways. All others are restricted. Falcon conventional cylinder restricted keyways use a unique pin kit (P/N 1417) and cutter wheel for keys.

	945	Available in: 605 606 613 626 629 630		950	Available in: 606 626		954	Available in: 606 626
---	------------	---	---	------------	---------------------------------	---	------------	------------------------------------

Miscellaneous Cylinders

Part Number	Description	Finishes		
		606, 626	605, 613	629, 630
945	Cam lock	\$112.00	\$112.00	\$112.00
950*	Sliding door cylinder	51.00	-	-
954*	Mail box cylinder	62.00	-	-

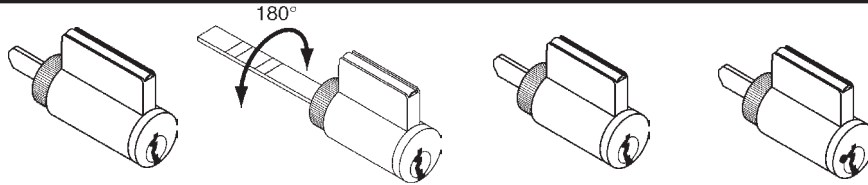
* For 7-pin cylinder add \$11.90.

Note: 5) Postal regulations prohibit master keying of mail box cylinders.

Prices subject to change without notice



Non-IC Products



Falcon Conventional Cylinders, 5 and 6 Pin

Cylinder Mechanism	Part Number	List Price	
5 Pin Cylinder 955	A23151-01	\$56.00	
5 Pin Cylinder B series except 611 function	A23155-02		
5 Pin Cylinder B series 611 function	A23151-06		
5 Pin Cylinder - D111, D141 for 1 3/8" to 1 3/4" thick doors	Q500-064		
5 Pin Cylinder - D111, D141 for 1 7/8"- 2 1/4" thick doors	Q500-065		
5 Pin Cylinder - D121	Q500-066		
5 Pin Cylinder - D131	Q500-070		
5 Pin Cylinder - D211, D241	Q500-067		
5 Pin Cylinder - D221	Q500-069		
5 Pin Cylinder - D231	Q500-072		
5 Pin Cylinder H all other functions & designs	A30028		
5 Pin cylinder H511 knobs	A30040		
5 Pin Cylinder - H2101	Q100-105		
5 Pin Cylinder RU/T series (except 381 IS, 571)	A23151-05		
5 Pin Cylinder RU/T series 381 IS	A23151-06		
5 Pin Cylinder RU/T series 571	A23151-07		
5 Pin Cylinder X411, 501, 511, 521, 581 E & T	A23152		
5 Pin Cylinder X411, 501, 511, 521, 581 H	A23152-02		
5 Pin Cylinder X561 - E and T designs	A23151		
5 Pin Cylinder X561 - H designs, 571 - E & T	A23151-02		
5 Pin Cylinder X571 - H designs	A23151-03		
5 Pin Cylinder Y series	A23155		
6 Pin Cylinder 955	A23161-01		\$56.00
6 Pin Cylinder B series except 611 function	A23165-02		
6 Pin Cylinder B series 611 function	A23161-06		
6 Pin Cylinder - D111, D141 for 1 3/8" to 1 7/8" thick doors	Q500-021		
6 Pin Cylinder - D111, D141 for 1 7/8"- 2 1/4" thick doors	Q500-022		
6 Pin Cylinder - D121	Q500-058		
6 Pin Cylinder - D131 for 1 3/8" - 1 3/4" thick doors	Q500-054		
6 Pin Cylinder - D131 for 1 7/8"- 2 1/4" thick doors	Q500-055		
6 Pin Cylinder - D211, D241	Q500-010		
6 Pin Cylinder - D221	Q500-056		
6 Pin Cylinder - D231	Q500-012		
6 Pin Cylinder H101	A30028-01		
6 Pin Cylinder H511 knobs	A30040-01		
6 Pin Cylinder - H2101	Q100-104		
6 Pin Cylinder RU /T series 381 IS	A23161-06		
6 Pin Cylinder RU/T series (except 381 IS, 571)	A23161-05		
6 Pin Cylinder RU/T series 571	A23161-07		
6 Pin Cylinder X411, 501, 511, 521, 581 E & T	A23162		
6 Pin Cylinder X411, 501, 511, 521, 581 H	A23162-02		
6 Pin Cylinder X561 - E and T designs	A23161		
6 Pin Cylinder X561 - H designs, 571 - E & T	A23161-02		
6 Pin Cylinder X571 - H designs	A23161-03		
6 Pin Cylinder Y series	A23165		
6 Pin Cylinder H451, 461 hotel/motel	A30036-01	71.00	
6 Pin Cylinder W lock	Q330-154	56.00	
6 Pin Cylinder W lock - except W561 (knob)	Q330-238		
6 Pin Cylinder W561 (knob)	Q330-246		

Falcon Conventional Cylinders, 7 Pin

Cylinder Mechanism	Part Number	List Price
7 Pin Cylinder - D111, D141 for 1 3/8" to 1 7/8" thick doors	Q500-046	\$71.00
7 Pin Cylinder - D111, D141 for 1 7/8"- 2 1/4" thick doors	Q500-047	
7 Pin Cylinder - D121	Q500-059	
7 Pin Cylinder - D211, D241	Q500-014	
7 Pin Cylinder - D221	Q500-057	
7 pin cylinder RU/T series (except 381 IS, 571)	A23171-05	
7 pin cylinder RU/T series 381 IS	A23171-06	
7 pin cylinder RU/T series 571	A23171-07	
7 pin cylinder X411, 501, 511, 521, 581 H	A23172-02	
7 pin cylinder X561 - H designs	A23171-01	
7 pin cylinder X571 - H designs	A23171-02	

Notes: 1) Finishes: 606 and 626 only

2) Specify keyway

3) Cylinders are furnished G keyway, keyed differently unless otherwise specified.

4) Add \$11.10 (list) for Falcon restricted keyways. See page 8 for standard keyways. All others are restricted.
Falcon conventional cylinder restricted keyways use a unique pin kit (P/N 1417) and cutter wheel for keys.

Prices subject to change without notice

Schlage Conventional Cylinders, 6 Pin				
Cylinder Mechanism	Function	Keying Offered	Part Number	List Price
Schlage C kwy	955	KA4, KD, 0-bit	A23160-2	\$56.00
Schlage E kwy		0-bit	A23159-2	
Schlage C kwy	B except 611	KD, 0-bit	A23160-13	
Schlage E kwy		0-bit	A23159-13	
Schlage C kwy	B611, T381 IS	KD, 0-bit	A23160-11	
Schlage E kwy		0-bit	A23159-11	
Schlage C kwy	D121, 221	KD, 0-bit	Q033-071	
Schlage E kwy		0-bit	Q033-066	
Schlage C kwy	D131, 231	KD, 0-bit, KA4	Q033-070	
Schlage E kwy		0-bit	Q033-067	
Schlage C kwy	D111, D211, D241 (Q033-069 only)	KD, 0-bit, KA4	Q033-069	
Schlage E kwy		0-bit	Q033-066	
Schlage C kwy	H deadbolt	KA4, KD, 0-bit	A23160-10	
Schlage E kwy		0-bit	A23159-10	
Schlage C	H2101	KA4, KD, 0-bit	Q100-108	
Schlage C kwy	H511 knobs	KA4, KD, 0-bit	A23160-7	
Schlage E kwy		0-bit	A23159-7	
Schlage C kwy	T571	KA4, KD, 0-bit	A23160-12	
Schlage E kwy		0-bit	A23159-12	
Schlage C kwy	T Except 571 & 381 IS	KA4, KD, 0-bit	A23160-000	
Schlage E kwy		0-bit	A23159-000	
Schlage C kwy	X411, 501, 511, 521, 581 E & T	KA4, KD, 0-bit	A23160-5	
Schlage E kwy		0-bit	A23159-5	
Schlage C kwy	X411, 501, 511, 521, 581 H	KA4, KD, 0-bit	A23160-6	
Schlage E kwy		0-bit	A23159-6	
Schlage C kwy	X561 E & T	KA4, KD, 0-bit	A23160-1	
Schlage E kwy		0-bit	A23159-1	
Schlage C kwy	X571 E & T, X561 H	KA4, KD, 0-bit	A23160-3	
Schlage E kwy		0-bit	A23159-3	
Schlage C kwy	X571 H	KA4, KD, 0-bit	A23160-4	
Schlage E kwy		0-bit	A23159-4	
Schlage C kwy	Y series	KA4, KD, 0-bit	A23160-8	
Schlage E kwy		0-bit	A23159-8	
Schlage C kwy	W Series Levers	MK, KA4, KD, 0-bit	Q330-152	
	W Series Knobs (except W561)	MK, KA4, KD, 0-bit	Q330-237	
	W561 Knob	MK, KA4, KD, 0-bit	Q330-245	

Schlage Conventional Cylinders, 5 Pin			
Cylinder Mechanism	Function	Part Number	List Price
5 Pin Schlage C	Q500-065-5C : 5 Pin cylinder Schlage C -D111, 141 for 1-7/8" - 2-1/4"	Q500-065-5C	\$56.00
5 Pin Schlage C	Q500-071 : 5 Pin cylinder D131 for 1-7/8" - 2-1/4"	Q500-071	
5 Pin Schlage C	Q500-071-5C : 5 Pin cylinder Schlage C - D131 for 1-7/8" - 2-1/4"	Q500-071-5C	
5 Pin Schlage C	T lock all except T571	A23160-14	
5 Pin Schlage C	X LOCK 561 E & T	A23160-15	
5 Pin Schlage C	PADLOCKS	A23160-16	
5 Pin Schlage C	X LOCK 561 H, 571 E & T	A23160-17	
5 Pin Schlage C	X LOCK 571 H	A23160-18	
5 Pin Schlage C	X LOCK 411 E & T, X501,511,521,581 E & T	A23160-19	
5 Pin Schlage C	X LOCK 411 H, X501,511,521,581 H	A23160-20	
5 Pin Schlage C	H LOCK 511 LOWER	A23160-21	
5 Pin Schlage C	Y LOCK	A23160-22	
5 Pin Schlage C	H LOCK 101,511 (UPPER)	A23160-23	
5 Pin Schlage C	B611	A23160-24	
5 Pin Schlage C	T571	A23160-25	
5 Pin Schlage C	B LOCK EXCEPT B611	A23160-26	
5 Pin Schlage C	W561 (Knobs)	Q330-245-5	

- Notes:**
- 1) Finishes: 606 and 626 only
 - 2) Specify keyway, cylinders are furnished 0-bitted unless otherwise specified.
 - 3) Master keying is available on Schlage C Keyway only.

Prices subject to change without notice

Corbin Russwin Conventional Cylinders, 6 Pin				
Cylinder Mechanism	Function	Keying Offered	Part Number	List Price
Corbin 60 kwy	955	KD, 0-bit	A23167-2	\$56.00
Corbin/Russ L4 kwy		0-bit	A23174-2	
Russwin D1 kwy		KD, 0-bit	A23168-2	
Corbin 60 kwy	B Series	KD, 0-bit	A23167-13	
Corbin/Russ L4 kwy		KA4, 0-bit	A23174-13	
Russwin D1 kwy		KD, 0-bit	A23168-13	
Corbin 60 kwy	B611, T381 IS series	KD, 0-bit	A23167-11	
Corbin/Russ L4 kwy		KA4, 0-bit, KD	A23174-11	
Russwin D1 kwy		KD, 0-bit	A23168-11	
Russwin D1 kwy	D121, 221	KD, 0-bit	Q033-074	
Corbin/Russ L4 kwy		0-bit	Q033-079	
Russwin D1 kwy	D131, 231	KD, 0-bit	Q033-073	
Corbin/Russ L4 kwy		0-bit	Q033-078	
Russwin D1 kwy	D141, D241	KD, 0-bit	Q033-072	
Corbin 60 kwy		KD, 0-bit	Q033-077	
Corbin/Russ L4 kwy	H deadbolt	KA4, 0-bit	A23174-7	
Corbin 60 kwy		KD, 0-bit	A23167-7	
Russwin D1 kwy		0-bit	A23168-7	
Corbin 60 kwy	H511 knobs	0-bit	A23167-10	
Corbin/Russ L4 kwy		KA4, 0-bit	A23174-10	
Russwin D1 kwy	T Except 571 & 381 IS	KD, 0-bit	A23168-10	
Corbin 60 kwy		0-bit	A23167	
Corbin/Russ L4 kwy		KA4, 0-bit	A23174	
Russwin D1 kwy	T571	KD, 0-bit	A23168	
Corbin 60 kwy		KD, 0-bit	A23167-12	
Corbin/Russ L4 kwy		0-bit	A23174-12	
Russwin D1 kwy	X 411, 501, 511, 521, 581 H	KD, 0-bit	A23168-12	
Corbin 60 kwy		0-bit	A23167-6	
Corbin/Russ L4 kwy		0-bit	A23174-6	
Russwin D1 kwy	X411, 501, 511, 521, 581 E & T	KD, 0-bit	A23168-6	
Corbin 60 kwy		0-bit	A23167-5	
Corbin/Russ L4 kwy		0-bit	A23174-5	
Russwin D1 kwy	X561 E & T	KD, 0-bit	A23168-5	
Corbin 60 kwy		KD, 0-bit	A23167-1	
Corbin/Russ L4 kwy		0-bit	A23174-1	
Russwin D1 kwy	X571 E & T, X561 H	KD, 0-bit	A23174-1	
Corbin 60 kwy		KD, 0-bit	A23168-1	
Corbin/Russ L4 kwy		KD, 0-bit	A23167-3	
Russwin D1 kwy	X571 H	0-bit	A23174-3	
Corbin 60 kwy		KD, 0-bit	A23168-3	
Corbin/Russ L4 kwy		KD, 0-bit	A23167-4	
Russwin D1 kwy	Y Series	0-bit	A23174-4	
Corbin 60 kwy		KD, 0-bit	A23168-4	
Corbin/Russ L4 kwy		0-bit	A23167-8	
Russwin D1 kwy	W Series Levers	0-bit	A23174-8	
Corbin 60 kwy		KD, 0-bit	A23168-8	
Corbin/Russ L4 kwy		0-bit	Q330-166	
Russwin D1 kwy	W Series Knobs (except W561)	0-bit, KA4	Q330-158	
Corbin 60 kwy		KD, 0-bit	Q330-210	
Corbin/Russ L4 kwy		KD, 0-bit	Q330-241	
Russwin D1 kwy	W561 Knobs only	0-bit, KA4	Q330-240	
Corbin 60 kwy		KD, 0-bit	Q330-242	
Corbin/Russ L4 kwy		KD, 0-bit	Q330-249	
Russwin D1 kwy		0-bit, KA4	Q330-248	
		KD, 0-bit	Q330-250	

* Cylinders are furnished 6-pin 0-bit unless otherwise specified, KA and KD available, no masterkeying.

- Notes:** 1) Finishes: 606 and 626 only.
2) Specify keyway.

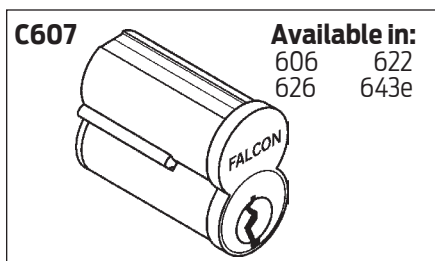
Prices subject to change without notice

Sargent Conventional Cylinders, 6 Pin				
Cylinder Mechanism	Function	Keying Offered	Part Number	List Price
Sargent LA Keyway	955	KD, 0 Bit	A23166-2	\$56.00
	B Series		A23166-13	
	B611, T381 IS		A23166-11	
	H deadbolt		A23166-7	
	H511 Knobs		A23166-10	
	T Except 571 & 381 IS		A23166	
	T571		A23166-12	
	X411, 501, 511, 521, 581 E & T		A23166-5	
	X411, 501, 511, 521, 581 H		A23166-6	
	X561 E & T		A23166-1	
	X571 E & T, X561 H		A23166-3	
	X571 H		A23166-4	
	Y Series		A23166-8	
	W Series Levers		Q330-160	
	W Series Knobs (except W561)		Q330-243	
	W561 Knob only		Q330-251	

Yale Conventional Cylinders, 6 Pin				
Cylinder Mechanism	Function	Keying Offered	Part Number	List Price
Yale 8 (Para) Keyway	955	KD, 0-bit	A23169-2	\$56.00
	B except 611		A23169-13	
	B611, T381 IS		A23169-11	
	D121, D221	KD	Q033-076	
	D141, 241, 111, 211		Q033-075	
	H deadbolt	KD, 0-bit	A23169-7	
	H511 knobs		A23169-10	
	T Except 571 & 381 IS		A23169	
	T571		A23169-12	
	X411, 501, 511, 521, 581 E & T		A23169-5	
	X411, 501, 511, 521, 581 H		A23169-6	
	X561 E & T		A23169-1	
	X571 E & T, X561 H		A23169-3	
	X571 H		A23169-4	
	Y series		A23169-8	
	W Series Levers		Q330-156	
	W Series Knobs (except W561)		Q330-239	
	W561 Knob only		Q330-247	

- Notes:**
- 1) Finishes: 606 and 626 only
 - 2) Specify keyway, cylinders are furnished 0-bitted unless otherwise specified.
 - 3) Master keying is not available.

Prices subject to change without notice



Regular Core (suffix keyway to number)						
	Uncombined			Combined		
Description	6-Pin	7-Pin	Price	6-Pin	7-Pin	Price
Standard	C646	C647	\$35.00	C606	C607	\$46.00
Best style capping	CB846	CB847		CB806	CB807	
No logo	C648	C649	35.00	C608	C609	
No logo, Best capping	CB848	CB849		CB808	CB809	

- Notes:**
- 1) For restricted keyways add \$11.10 per core. See page 141 for restricted keyway policies.
 - 2) For temporary construction cores and policy, See page 151.
 - 3) For 605, 613 and 625 add \$2.90 per core. Minimum 250 pieces.
 - 4) Keying must be specified on combined cores. (unspecified orders will default to 0-bitted)

Pricing: Uncombined cores have no pins, springs or keys. Combined core prices include master keying.

Finishes: 606 and 626 standard.

Packaging: Uncombined cores are packed 20 per box.

Keyways: The "A" keyway is standard for IC products and will be supplied unless otherwise specified.

A, B, C, D, DD, E, F, G, H, J, K, L, M, N, Q, R, TB and TD are equivalent to Best and Arrow IC keyways of the same letter designations. All other keyways are restricted. Add \$11.10 list for all restricted keyways.

When ordering locks or cores master keyed into existing Best, Arrow or other IC systems, a copy of the bitting list for the existing system is required with the order. Competitors' bitting lists are safeguarded the same as Falcon bitting lists. See page 157.

Logo: Cores and keys are supplied with the Falcon logo standard.
 Combined cores supplied without logo are furnished with plain (non-embossed) keys.

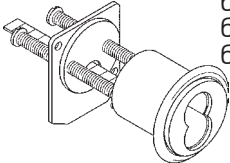
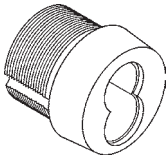
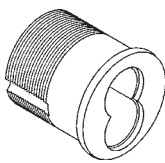
Prices subject to change without notice

IC Cylinders & Cabinet Locks

LOCKS

Cylinders & Key Systems



Rim 	Available in: 605 606 613 619 622 625 626 643e	Tapered Head 	Available in: 605 606 613 619 622 625 626 643e	Mortise 	Available in: 605 606 613 619 622 625 626 643e
---	---	--	---	--	---

All prices are less core. Not available with C997.

Small Format Interchangeable Rim and Mortise Core Housings Only

Cat. Number	Length	Pins	Description	626 643e		605 606 613 629 630 625 619				
C987	1-3/8"	6 or 7	Mortise	\$39.00						
C988	1-1/2"	6 or 7	Mortise							\$41.00
C990	1-3/4"	6 or 7	Mortise		50.00					52.00
C991	1 7/8"	6 or 7	Mortise		53.00					55.00
C992	2"	6 or 7	Mortise		53.00					55.00
C977	Fits Adams Rite	6 or 7	Mortise, tapered head		39.00					41.00
C997	1-3/8"	6 or 7	Mortise, unassembled, less cam		25.00					27.00
C262	1-5/8"	6 or 7	Mortise, hotel function RH	70.00						72.00
C265	1-5/8"	6 or 7	Mortise, hotel function LH							
C953	N/A	6 or 7	Rim		41.00					43.00

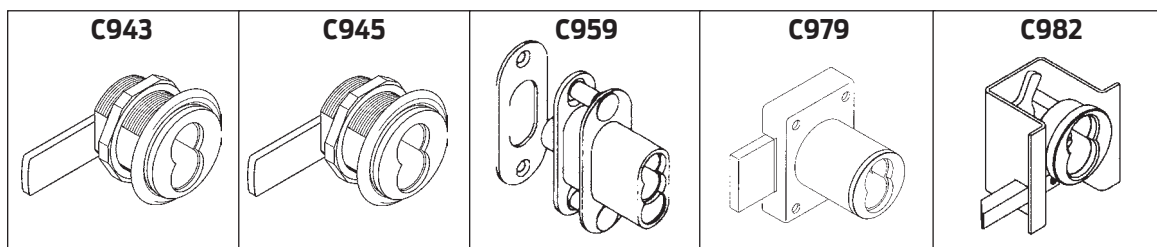
Notes: 1) All mortise cylinders will be furnished with cam 5622-IC, except for MA381 function which will be supplied with 5620-IC and 5621-IC. See page 154 for additional available cams.

2) C977 is only furnished with 012667-001 Adams Rite Cam

3) When ordering cylinders with construction cores, include the suffix -7 CCA or -6 CCA added to the part number. i.e. C987-6 CCA 626 for a 6 pin small format construction core included with a C987 cylinder in 626 finish

4) For mortise cylinders A08794-XXX tapered ring is supplied by default. If different is desired, please specify.

5) 625 finish only available on C997-xx.

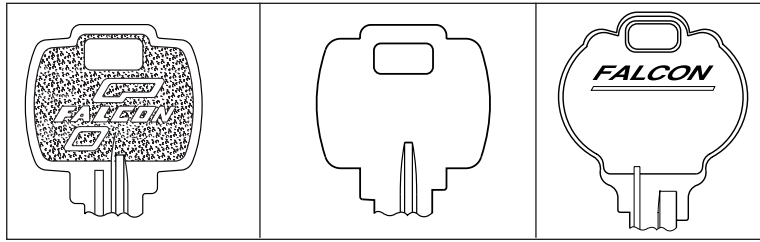


Cabinet Locks and Miscellaneous

Cat. No.	Description	Finishes			
		606, 626	606, 626	605, 626	605, 613, 629, 630
C942	Cabinet lock	\$90.00	-	-	\$92.00
C943	Cam lock	128.00	-	-	130.00
C945	Cam lock - heavy cam	90.00	-	-	92.00
C959	Push lock for sliding doors		125.00	-	-
C979	Rim cabinet lock		-	77.00	-
C982	Mail box lock		73.00	-	77.00

Note: 6) U.S. postal regulations prohibit master keying of mail box locks.

Prices subject to change without notice



Standard

**Plain
(non-embossed)**

Large Bow

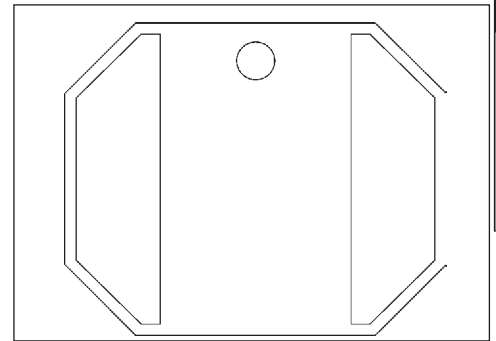


Non-IC Products

LOCKS

Cylinders &
Key Systems

Key Blanks (Specify keyway and order in multiples of 50 except where specified)			
Part. Number	Description	Qty./Wt.	Each
KB573	Standard 5-pin	50/1	\$2.40
KB577	Standard 6-pin		
KB581	Standard 7-pin	35/1	2.80
KB751	Plain 5-pin (non-embossed)	50/1	2.50
KB761	Plain 6-pin (non-embossed)		
KB771	Plain 7-pin (non-embossed)		
KB544	Large bow - 5-pin	25/1	5.50
KB590	Large bow - 6-pin	25/1	6.50
KB579	Emergency - 6-pin	50/1	9.10
KB592	Emergency, large bow - 6-pin	25/1	10.80
001911-001-70	Plastic handicap access bow only	1	7.20
KB525	Block-O-Key construction key - 4-pin	1	5.10
KB536	Block-O-Key removal tool (Specify Keyway)	1	2.40
Q330-215	6 Pin Schlage C Blank	1	3.30



001911-001-70 Blue Plastic Bow

(not shown full size)

2" access bow meets Title 24 of
The California Code for the Handicapped. Used with
existing KB905, KB906, and KB907 keys

Cut Keys		
Part. Number	Description	Each
KB574	Standard 5 Pin	\$7.70
KB578	Standard 6 Pin	
KB582	Standard 7 Pin	
KB794	Plain 5-pin (non-embossed)	
KB797	Plain 6-pin (non-embossed)	
KB799	Plain 7-pin (non-embossed)	
KB545	Large bow - 5-pin (When furnished with lock - 2 keys) additional per lock	8.50
KB545	Large bow - 5-pin	
KB591	Large bow - 6-pin (When furnished with lock - 2 keys) additional per lock	10.10
KB591	Large bow - 6-pin	
KB580	Emergency - 6-pin	12.80
KB584	Emergency - 7-pin	15.40
KB593	Emergency, large bow - 6-pin	13.20
KB905	With 2" handicap access bow, 5-pin (includes 001911-001-70)	17.40
KB906	With 2" handicap access bow, 6-pin (includes 001911-001-70)	
KB907	With 2" handicap access bow, 7-pin (includes 001911-001-70)	
KB531	Block-O-Key construction key - 4-pin	8.20
KB565	Construction key - 5-pin	7.90
KB566	Construction key - 6-pin	
KB567	Construction key - 7-pin	
330055	Schlage C - 6 pin	7.50
Q330-276	Schlage Split Key 6-pin	10.10

* Specify key section to key (blank) numbers.

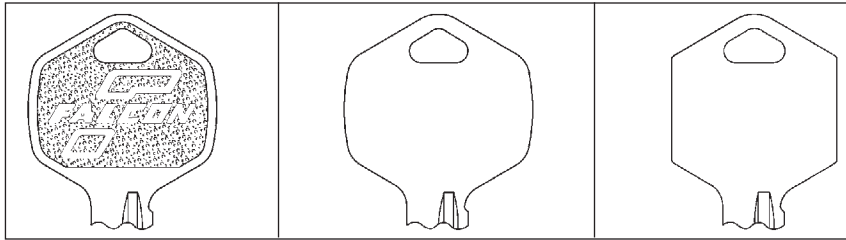
Note: 1) Prices listed for key blanks and cut keys are for E, G and H sections only. For all other key sections add \$0.80 list per key to prices shown. Letter of authorization required for restricted sections; not available to stock; shipped directly to the end user.

Prices subject to change without notice

IC Keys and Key Blanks, Disposable Construction Core



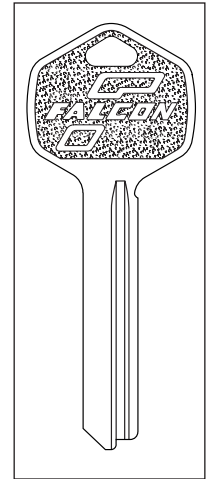
IC Products



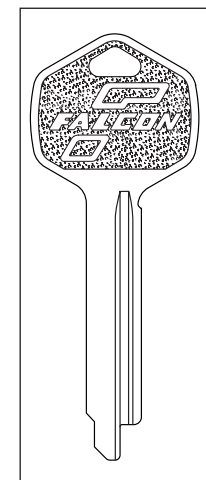
Standard

Plain
(non-embossed)

Clipped
for Handicap



Standard
Key Tip



Mortise EMK
Tip



Best Key

IC Core Key Blanks

	Standard	Plain Both Sides	Price
Standard	KB628	KB718	\$2.70
Stamped CONTROL	KB608	KB744	5.20
M Series EMERGENCY	KB737	KB748	7.70
Blade for 2" Access Bow	KB633	-	7.40
Plastic Access Bow	001911-001-70	-	7.20

IC Core Cut Keys

	Standard		Plain Both Sides		Price
	6-Pin	7-Pin	6-Pin	7-pin	
Standard	KB632-1	KB632-2	KB673-1	KB673-2	\$7.70
CONTROL	KB609-1	KB609-2	KB778-1	KB778-2	10.00
M Series EMERGENCY	KB738-1	KB738-2	KB779-1	KB779-2	11.60
2" Access Bow	KB916	KB916-1	-	-	17.80

- Notes:**
- 1) Specify keyway
 - 2) Order standard blanks in multiples of 50.
 - 3) Prices for key blanks and/or cut keys are for single key sections only. Key blanks 50 min. Cut keys no minimum quantity
 - 4) For double milled key (e.g. DE, EF, FG) add \$3.30 each to prices shown, minimum order quantity of 50 keys.
 - 5) Triple and quadruple milled keys add \$3.80 each to price shown, minimum order quantity of 50 keys.
 - 6) Letter of authorization required for restricted sections; not available to stock; shipped directly to the end user.
 - 7) Prices shown above are for standard key sections, prices for all restricted sections add \$0.80.

Best Style SFIC Core Key Blanks

	Standard	Plain Both Sides	Price
Standard	KB800*	KB801*	\$2.80

* KB 800 & 801 are not available in multi milled keyways.

Best Style SFIC Core Cut Keys

	Standard	Plain Both Sides	Price
Standard 6-Pin	KB807-1	KB809-1	\$8.00
Stamped Control 6-Pin	KB811-1	KB813-1	10.40
Standard 7-Pin	KB807-2	KB809-2	12.20
Standard Control 7-Pin	KB811-2	KB813-2	18.50

Prices subject to change without notice

Construction Core Program

Keyed construction cores may be ordered with interchangeable core locks and cylinders. These cores may also be ordered separately. All keyed construction cores are assessed a non-refundable handling charge (50-231). Standard payment terms apply.

Features:

- 6-pin A keyway.
- 7-pin A keyway.
- Construction cores are a flat black finish on the face. Other colors may be provided. Contact Customer Service for available colors.
- Construction cores are furnished with no keys (NCK). Cut keys must be ordered separately.
- A control key is required to install and remove construction cores. Control keys must be ordered separately.
- Construction cores may be returned for credit in working condition. Credit is issued upon receipt of cores at our factory.

A Return Material Authorization (RMA) must be issued, in order for cores to be returned.

Construction Core Program

Part Number	Description	Specify	Price
C606CCA	Construction core 6-pin	Specify "H" suffix when ordering with Locks, Specify CCA when ordering with Mortise and Rim Cylinders	\$46.00
C607CCA	Construction core 7-pin		
KB632-1CCA	Cut key for construction core 6-pin		8.00
KB632-2CCA	Cut key for construction core 7-pin		
KB609-1CCA	Cut control key 6-pin (order separately)		
KB609-2CCA	Cut control key 7-pin (order separately)		
1408	Disposable construction core	Specify "BDC" suffix when ordering	5.70
50-231F	Non-refundable handling charge per core		7.80

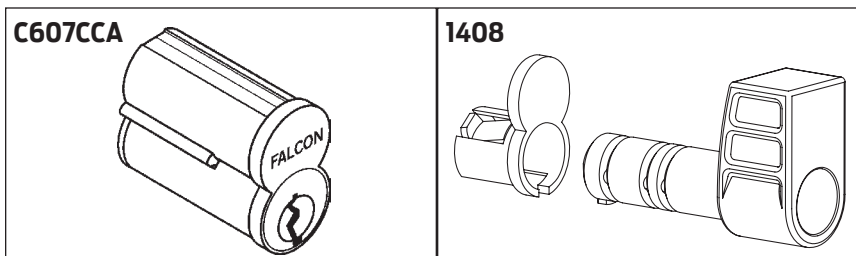
- Notes:**
- 1) Keyed and temporary construction cores will be installed in locks and cylinders automatically unless otherwise specified on orders.
 - 2) Construction cores for a given project are keyed alike to one of a limited number of combinations nationwide. Different Falcon projects in the same area using the same or different contractors may use the same key. Where a higher degree of security is desired, order a set of cores in 606 or 626 finish keyed alike to a random combination. Specify "KSI." Such cores are not returnable to Falcon but may be reused for other projects.
 - 3) Temporary construction cores are an inexpensive alternative to interior keyed construction cores. This temporary is intended for use on interior door applications or where security on-site is not a concern.

Temporary Construction Core Program (Disposable)

Temporary construction cores may be ordered with interchangeable core locks and cylinders. These cores may also be ordered separately. Standard payment terms apply.

Features:

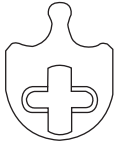
- Conveniently fits both 6 & 7-pin SFIC applications.
- No keys need to be issued.
- Disposable construction cores are not returnable.
- The disposable core is inserted in the lever or knob and is operated by a thumbturn, which retracts the latch bolt.



Prices subject to change without notice



Non-IC Products



Conventional Mortise Cylinder Cams

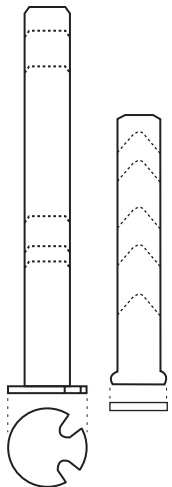
Part Number	Application	Price
1396	Cam kit for conventional cylinders	\$186.00
A09890-000-00	Adapter ring for 1-1/2" diameter cylinders	42.30
5622-STD	Falcon MA CAM for conventional mortise cylinders, except MA381	3.20
5620-STD	Falcon MA CAM for conventional mortise cylinder MA381 inside function	
5621-STD	Falcon MA CAM for conventional mortise cylinder MA381 outside function	
		10-Pack Price
A08867-000-00	Falcon cyl. in Sargent and Yale (26)	\$71.70
A09888-000-00	Falcon cyl. in Schlage L Series (13)	
A09894-001-00	Falcon, Ilco, Lori and Schlage cyl. in M deadbolt functions (1)	48.60
A09894-002-00	Arrow, Sargent, Yale cyl. in M deadbolt functions (2)	71.70
A09894-003-00	Corbin Russwin cyl. in M deadbolt functions (3)	
A09894-021-00	Falcon cyl. in Falcon concealed VR Delta trim - 2010 and earlier (21)	
A09894-022-00	Arrow, Sargent, Yale cyl. in Falcon Delta trim (22)	
A09894-023-00	Corbin Russwin cyl. in Falcon Delta trim (23)	
A09897-000-00	Falcon M Series non-deadbolt functions (4)	48.60
A09897-024-00	Falcon dogging cyl. in Falcon device (24)	65.80
A09898-000-00	Adams Rite 4070 (16)	
A09899-000-00	Adams Rite MS (6)	48.60
A20065-000-00	M381 outside (14)	
A20069-000-00	Corbin Russwin ML2200	71.70

Conventional Cylinder Tailpieces and Driver Bars

Part Number	Application	Price
1389	Tailpiece kit (assortment of tailpieces and 1416 cap tool)	\$233.00
B600-045	D Series double cylinder (1-3/8" - 1-3/4" doors)	2.70
B600-046	D Series double cylinder (over 1-3/4" - 2-1/4" doors)	
B520-651	D Series single cylinder (1-3/8" - 1-3/4" doors)	2.70
B520-652	D Series single cylinder (over 1-3/4" - 2-1/4" doors)	2.70
Q330-164	W Series 501, 511, 561, 581, 711 Functions	4.40
030480-004-00	Y Series	1.00
A08350-000-00	H101	1.00
		10-Pack Price
A22164-000-00	X Series 561 (6 Pin) Elite & Troy	\$28.40
A22164-001-00	X Series 561 (6 Pin) Hana, 955	34.70
A22164-002-00	X Series 571 (6 Pin) Elite & Troy, 571 (7 Pin) Hana	28.40
A22164-003-00	X571 - H designs	28.40
A22169-000-00	X Series 411, 501, 511, 521 (6 Pin) Elite & Troy	7.20
A22169-002-00	X Series 411, 501, 511, 521 (6 & 7 Pin) Hana	
A28351-000-00	Rim conventional	\$34.00
A30034-001-00	H451, H461	10.70
A30038-000-00	H511	7.20
A30480-004-00	B Series	10.80
A30730-001-00	RU, T Series most 6-pin	23.80
A30730-002-00	RU, T Series most 7-pin and T571 6-pin	
A30730-003-00	RU381, T381 inside 6-pin, B611	
A30730-004-00	RU381, T381 inside 7-pin	
A30730-006-00	RU571, T571 7-pin	

Conventional Cylinder Tailpiece Retainers, Etc.

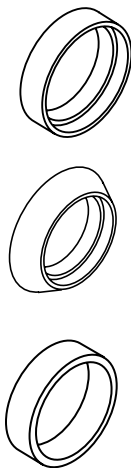
Part Number	Application	10-Pack Price
A08355-000-00	Tailpiece retainer for rim cylinder	\$30.20
A08395-000-00	Tailpiece retaining washer for H101	6.30
A12053-000-00	Tailpiece retainer, 22164 & 22169	9.30
A24264-000-00	Tailpiece spacer	3.70
A30037-000-00	Tailpiece retainer, 30034 & 30038	9.30
B600-071	D Series Retainer Washer	1 pack / 0.86



Prices subject to change without notice



Non-IC Products



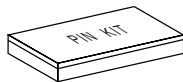
Cylinder Collars (also used for IC cylinders)

Part Number	Size	Shape	626	605, 606 613, 625, 622, 643e
A08790-000	9/32"	Straight Protective used on escutcheon trim	\$14.10	\$16.10
A08790-001	13/32"			
A08790-002	17/32"			
A08790-003	21/32"			
A08790-004	55/64"			
A08794-000	9/32"	Tapered Protective used on sectional trim	14.10	16.10
A08794-001	13/32"			
A08794-002	17/32"			
A08794-003	21/32"			
008876-000	1/8"	Blocking Ring	5.50	7.50
008876-005	3/16"			
008876-001	1/4"			
008876-002	3/8"			
008876-003	1/2"			
008876-004	5/8"			
008862-000	n/a	Rim Cylinder	5.50	7.50

See below for wave washer. Protective rings listed above include wave washer.

Other Parts

Part Number	Application	Pack Qty.	Pkg. Price
008789-001-60	Wave washer	-	\$1.70
012162-000-10	Cylinder cap	-	2.40
031100-000-30	Hex nut for cam lock and mortise cylinders	-	10.30
A02750-000-00	Cam Screw	100	23.90
A03039-000-00	Mortise hotel function instruction plate packet	-	9.30
A12165-000-00	Cap retaining pin	10	7.50
A12165-100-00	Cap retaining pin	100	58.80
A12166-000-00	Spring for retaining pin	100	10.60



Pin Kits, Pins, Tools and Service Equipment

Part Number	Application	Pack Qty.	Pkg. Price
1416	Cylinder cap tool - steel		\$48.60
1417	Pin kit for restricted keyways (includes follower and cyl. Cap tool)		282.00
1418	Pin kit, standard (includes follower and cyl. Cap tool)		375.00
1421	Plug follower		19.60
1453	Depth key set, 5-pin		50.20
1453-1	Depth key set, 6-pin		
1453-2	Depth key set, 7-pin		6.30
030113-000-60	Key gauge for standard keys (.018" systems)		8.20
030166-T10-30	Torx Screw Bit #10		25.90
030166-T15-30	Torx Screw Bit #15		
030166-T20-30	Torx Screw Bit #20		29.80
042613-000-60	Key gauge for restricted keyways (.025" systems)		
35-057	Extractor Tool		23.20
A08552-000-00	Universal top pin		9.20
A08553-00X-00	Bottom pins, 0 thru 9: replace; "x" with size (.018" systems)		
A08554-000-00	Tumbler springs		11.30
A08556-000-00	Construction master pins	100	26.30
A08580-00X-00	Master pins, 2 thru 9: replace; "x" with size (.018" systems)		
A48553-00X-00	Bottom pins, 0 thru 6: replace; "x" with size (.025" systems)		9.20
A48580-00X-00	Master pins, 1 thru 6: replace; "x" with size (.025" systems)		
61-509	Emergency Release Key – Standard Size for Occupancy Indicator	-	11.30
61-5110	Emergency Release Key – Large Size for Occupancy Indicator	-	21.50



Prices subject to change without notice

IC Cams, Throw Members, etc.

LOCKS

Cylinders & Key Systems

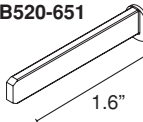
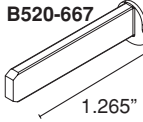
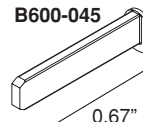
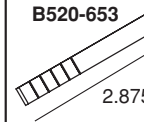
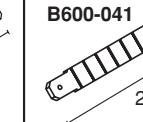
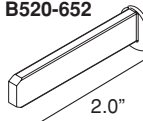
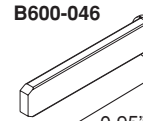

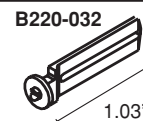
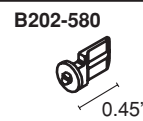


IC Mortise Cylinder Cams		
Part Number	Description	Price
1397	Cam kit	\$232.00
5622-IC	Falcon MA CAM for SFIC mortise cylinders, except MA381	\$15.50
5620-IC	Falcon MA CAM for SFIC mortise cylinders MA381 inside function	
5621-IC	Falcon MA CAM for SFIC mortise cylinders MA381 outside function	
		10-Pack Price
A12667-000-00	Sargent / Yale (7)	\$59.00 pkg of 10
A12667-001-00	Adams Rite MS (8)	
A12667-002-00	Adams Rite 4070	
A12667-003-00	Straight (5), M series non-deadbolt functions	
A12667-006-00	Corbin Russwin master ring (25) (requires bushing A09890)	
A12667-007-00	M series deadbolt functions (10)	
A12667-008-00	Schlage L Series (12)	
A12667-011-00	Corbin Russwin, Arrow (11)	
A12667-013-00	Corbin Russwin DL4000	
A12667-020-00	Falcon concealed vertical rod Delta trim - 2010 and earlier (20)	
A12667-03A-00	Sargent 7737	
A20278-000-00	M381 outside (15)	

IC Throw Members (Tailpieces) and Spacers for Cylindrical Locksets		
022175-000-30	X Series except X571, new style	\$3.00
022175-001-30	X571 new style 6-pin	
022175-002-30	X571 new style 7-pin	
030739-000-30	RU, T Series most 6-pin	10.20
030739-001-30	RU, T Series most 7-pin	
030739-002-30	RU381, T381 inside 6-pin	
030739-003-30	RU381, T381 inside 7-pin	3.00
Q001-055	B & Y Series	
Q330-168	W Series Levers	
Q330-169	W Series Knobs	4.00
A12689-000-00	Rim	10.70 pkg. of 10
A12698-000-00	Retainer, IC rim cylinder	16.80 pkg. of 10

Cylinder Collars		
See page 153 for cylinder collars.		-

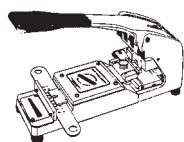
Other Parts		
A12663-001-00	Throw pins, package of ten (10)	\$13.20 pkg.
A12663-002-00	Throw pins, package of ten (10)	
A12663-003-00	Throw pins, package of ten (10)	
A12663-004-00	Throw pins, package of ten (10)	
A12663-008-00	Throw pins, package of ten (10)	
A12663-009-00	Throw pins, package of ten (10)	
A12664-010-00	Drive washer, package of ten (10)	0.70
002807-000-30	Mortise cylinder security screw	

	D111/D211 D141/D241	D121/D221	D131/D231	D251/D271	D261/D261M
Door Range:	B520-651  1.6"	B520-667  1.265"	B600-045  0.67"	B520-653  2.875"	B600-041  2.4"
	B520-652  2.0"	NA	B600-046  0.95"	NA	NA
	B202-957  1.4"	B220-032  1.03"	B202-580  0.45"	NA	NA

Prices subject to change without notice



IC Products



Tools		
Part Number	Description	Price Each
1208	Key bitting punch machine, standard A2 System	\$3,509.00
1392	Capping pin, Best style capping	36.30
1393	Capping block, Best style capping	169.00
1398	Core and key stamping fixture	196.00
1400	IC mortise cyl. assy./ disassembly tool set w/punch	254.00
1401	IC mortise cyl. assy./ disassembly tool	231.00
1402	IC cam staking center punch	21.10
1405	Ejector tool	23.80
1407	Mortise cylinder installation wrench	39.30
1411	Pinning block set, Falcon spring cover cores	134.00
1414	Pinning block only, Falcon spring cover cores	87.90
1415	Tamping Plate	48.20
012612-000-60	Key Gauge (A2 System)	16.20
030425-000-60	Key Gauge (A4 System)	16.20
031034-000-30	A4 System depth bar for key bitting punch	239.00
Pin Kits		
1404 (standard)	Pin kit, A2 System complete in wooden case; Falcon spring cover cores	\$788.00
1391	Pin kit, A2 System complete in wooden case; Best style capping	
1403	Pin kit, A4 System complete in wooden case; Falcon spring cover cores	
1390	Pin kit, A4 System complete in wooden case; Best style capping	
Pin, Springs, etc.		
A12635-0xx-00	A2 top pins, #2 through #19; replace "xx" with size, 100/pkg	\$12.10 pkg
A12636-0xx-00	A2 bottom pins, #0 through #9; replace "xx" with size, 100/pkg	
A30375-0xx-00	A4 top pins, #1 through #11; replace "xx" with size, 100/pkg	
A30376-0xx-00	A4 bottom pins, #0 through #5; replace "xx" with size, 100/pkg	10.00 pkg
A12637-000-00	Tumbler Spring, 100/pkg.	
A12637-500-00	Tumbler Spring, 500/pkg.	26.00 pkg
A12638-000-00	Caps for Best style cores, 500/pkg.	30.30 pkg
A12639-001-00	Spring cover, 6-Pin, 100/pkg.	
A12639-002-00	Spring cover, 7-Pin 100/pkg.	

Prices subject to change without notice

Keying and Stamping Charges

Master Keying		
Part Number	Description	List Price
50-210	Conventional cylinder Master Keyed (MK), Grand Master Keyed (GMK), Emergency Master Keyed (EMK), and Single Keyed (SKD) groups	\$15.00
-	Interchangeable core Master Keyed (MK), Grand Master Keyed (GMK), Emergency Master Keyed (EMK), and Single Keyed (SKD) groups	No Charge

Construction Keying – Conventional Cylinder		
Part Number	Description	List Price
50-211	Cylinder Construction Keyed (CK)	\$4.90
50-212	Cylinder Block-O-Keyed (BOK)	
60-000	Pack change keys independently for construction keying	No Charge

Other Keying (Non-Masterkeyed)		
Part Number	Description	List Price
-	Cylinder keyed different (KD) or keyed alike to a Falcon selected combination (KA) in sets of 2 or more	No Charge
-	Cylinder 0-bitted or 1-bitted, as applicable	No Charge
50-001	Conventional cylinder keyed to a specific combination	\$7.50
50-215	Standard cylinder extra key charge	6.20
50-232	Extra Cut Key with cylinder/lock	6.70
60-001	Pack change keys independently for non-construction keying	0.54 per key

- Notes:**
- 1) Any cylinder operated by keys other than its own change key, or Single Keyed (SKD) groups within a masterkey system are subject to masterkeying charges. The Falcon Masterkey department determines and makes the final decision in the selection and use of key. 100% system expansion is allowed for new masterkey systems, unless otherwise specified.
 - 2) Construction keyed cylinder charges are in addition to masterkeying charges. PKI (Pack Keys Independently) packaging is included at no additional charge.
 - 3) Construction keying is not available with SFIC cylinders. Construction cores may be ordered for interchangeable core locks and for mortise and rim cylinders, for use during construction. See Construction Core Program.
 - 4) Block-O-Key construction keying requires 6-pin cylinders and is available only in select keyways.
 - 5) Construction keys must be ordered separately. See Page 151.
 - 6) Conventional cylinders are available 0-bitted.
 - 7) Conventional restricted key section cylinders are furnished 1-bitted unless otherwise specified.
 - 8) Falcon locks and cylinders are furnished with Falcon G key section, keyed differently (KD) unless otherwise specified.
 - 9) Falcon SFIC cylinders are furnished with A keyway, uncombined, without keys when not specified.

Prices subject to change without notice

Key & Core Stamping			
Part Number	Description	Price	
		Standard	I-Core
50-002	VKC - Cylinders - Standard and I-Core, Standard and non-standard code	\$4.30	-
50-217	VKC – Visual Key Control, standard symbols (AA1, AA2, etc. on keys	2.00	\$2.00
50-003	Non-standard code letters or numbers than industry standard key symbols on key (5 max.)		
50-216	CKC - Cylinders - I-Core only, Standard and non-standard code	-	4.30

Special & Custom Die Stamps		
Part Number	Description	List Price
50-219	Keys stamped with custom or special dies – i.e, STATE OF FLORIDA, DO NOT DUPLICATE, etc.	\$2.00

Bitting Lists (Keying Transcripts)		
Part Number	Description	List Price
50-123	Bitting list for factory masterkeyed products (requires written authorization from end-user on letterhead)	\$240.00
50-120	Establish new masterkey system for field masterkeying, up to 50 bittings.	35.80
50-121	Each additional bitting for field masterkeying.	4.60
50-122	New change key bitting for cylinders keyed in the field	3.60

Prices subject to change without notice

Prices subject to change without notice

Table of Contents

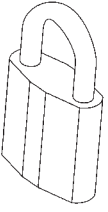
Padlocks	154
Complete Lock Pricing	154
Cable Locks	155
Padlocks.....	157
Padlocks, Parts and Accessories.....	158
Complete Padlocks	160
Special Security Products.....	161
Lock Mounts.....	162
Display Mounts.....	162

Prices subject to change without notice

Auxiliary Products

LOCKS

Auxiliary Products

Padlocks	Available in: 606
	

Padlocks		
Cat No.	Description	Finish 606
955-1P	Deadlocking type - 1" shackle	\$146.00
955-2P	Deadlocking type - 2" shackle	158.00
955-6P	Deadlocking type - 6" shackle	

- Notes:** 1) Key is removable with shackle in locked position only.
 2) Falcon padlocks now discount as complete locks and not as parts.

Options	
Description	Price
Cylinders	
5-pin (drilled for 6)	Standard
6-pin	No Charge
7-pin (per cylinder)	\$12.20
Less cylinder	Deduct \$20.00
Competitor's keyways in standard cylinder model (see page 8)	No Charge
Keying	
Master keying, conventional cylinder	See page 156
Construction master keying, conventional cylinder	See page 156

Prices subject to change without notice

Standard Features for Commercial Series Padlocks - Stock

Certification	Meets or exceeds ASTM standards for standard steel shackle, shackle cutting and corrosion resistance.
Lock Body	Chrome plated brass - resists corrosion.
Shackle	Hardened steel alloy, double deadbolt locking mechanism.
Cylinder*	Accepts Falcon 6 or 7-pin small format interchangeable core (SFIC), as well as SFIC products from other manufacturers.

*All padlocks supplied less cylinder. Cylinders must be ordered separately.

Standard Features for Commercial Series Cables - Interchangeable Core

Lock Head	Die-cast zinc, 407 satin finish
Cable	Braided steel vinyl coated for greater cut resistance than twisted cables
Cylinder*	Accepts Falcon 6 or 7-pin small format interchangeable core (SFIC), as well as SFIC products from other manufacturers.

*All cables supplied less cylinder. Cylinders must be ordered separately.

Important Ordering Information

Locks must be ordered in case quantities; this does not apply to factory ordered Falcon branded 955 Series locks. Case quantity is listed with each product. All prices listed are unit prices.

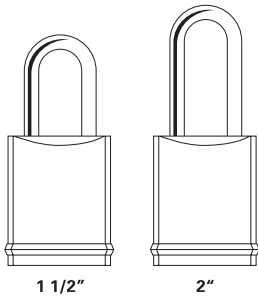
Note: All Falcon cylinders will ship separately.

Auxiliary Products - Cable Locks

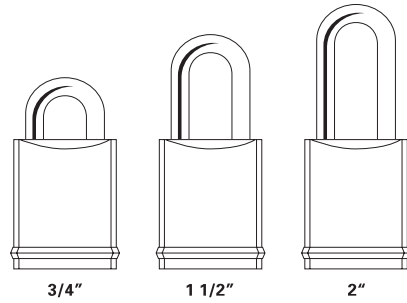
LOCKS

Auxiliary
Products

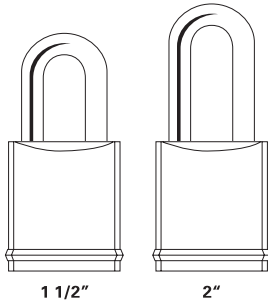
10 Series - 1/4" Shackle diameter



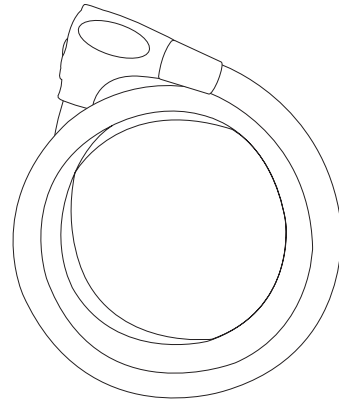
20 Series - 5/16" Shackle diameter



40 Series - 3/8" Shackle diameter



KC Series - 2', 4' lengths



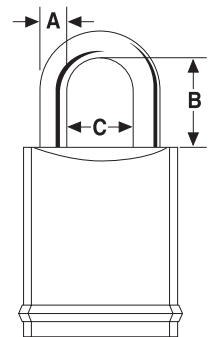
Prices subject to change without notice

Padlocks - Small Format Interchangeable Core (SFIC) - Less Cylinder				
Part Number	Shackle Dimensions			List Price
	A	B	C	
Chrome Plated Brass Body - KS11 2 Series (Body Dimensions: 1-25/32" wide, 2-3/16" high, 7/8" thick)				
KS11D1200	1/4" (6.4mm)	1-1/2" (38mm)	3/4" (19mm)	\$31.10
KS11F1200		2" (51mm)		32.50
Chrome Plated Brass Body - KS21 Series (Body Dimensions: 1-25/32" wide, 2-3/16" high, 7/8" thick)				
KS21D1200		1-1/2" (38mm)		33.00
KS21F1200		2" (51mm)		34.60
Chrome Plated Brass Body - KS41 Series (Body Dimensions: 1-15/16" wide, 2-3/16" high, 7/8" thick)				
KS41D1200	3/8" (9.5mm)	1-1/2" (38mm)	3/4" (19mm)	\$33.00
KS41F1200		2" (51mm)		34.60

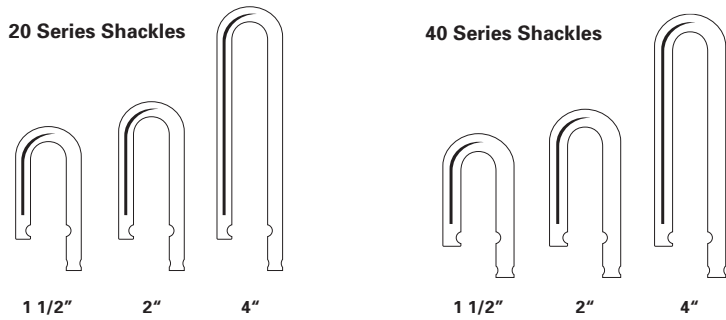
- Notes:** 1) Product is shipped without cylinder. For cylinder options: see **Cylinders**.
 2) Keying options: see **Keys & Keying**. See **Terms & Conditions** for more information.
 3) Case quantity is 6.

Cables - SFIC - Less Cylinder				
Part Number	Cable Diameter	Cable Length	List Price	
Braided Steel Key Cable - KC2 Series				
KC215B130	5/8" (15mm)	4' (121cm)	67.00	

- Notes:** 4) Product is shipped without cylinder. For cylinder options: see **Cylinders**.
 5) Keying options: see **Keys & Keying**. See **Terms & Conditions** for more information.
 6) Case quantity is 6.



Prices subject to change without notice



Commercial Series: Replacement Shackles

Part Number	Shackle Dimensions			List Price
	A	B	C	
Hardened Steel Shackle - For Use with 20 Series Padlocks				
KZ11G20	5/16" (8mm)	4" (102mm)	3/4" (19mm)	11.50
Brass Shackle - For Use with 10 Series Padlocks				
KZ12D10	1/4" (6.4mm)	1-1/2" (38mm)	3/4" (19mm)	\$6.40
KZ12G10		4" (102mm)		9.10
Brass Shackle - For Use with 20 Series Padlocks				
KZ12D20	5/16" (8mm)	1-1/2" (38mm)	3/4" (19mm)	7.50
KZ12G20		4" (102mm)		11.50
Brass Shackle - For Use with 40 Series Padlocks				
KZ12D40	3/8" (9.5mm)	1-1/2" (38mm)	3/4" (19mm)	\$10.00
KZ12G40		4" (102mm)		14.20
Stainless Steel Shackles - For use with 20 Series Padlocks				
KZ13D20	5/16" (8mm)	1-1/2" (38mm)	3/4" (19mm)	\$8.00
KZ13F20		2" (51mm)		8.30
Stainless Steel Shackles - For use with 40 Series Padlocks				
KZ13D40	3/8" (9.5mm)	1-1/2" (38mm)	3/4" (19mm)	\$10.00
KZ13F40		2" (51mm)		10.30

Note: 1) Case quantity is 6.

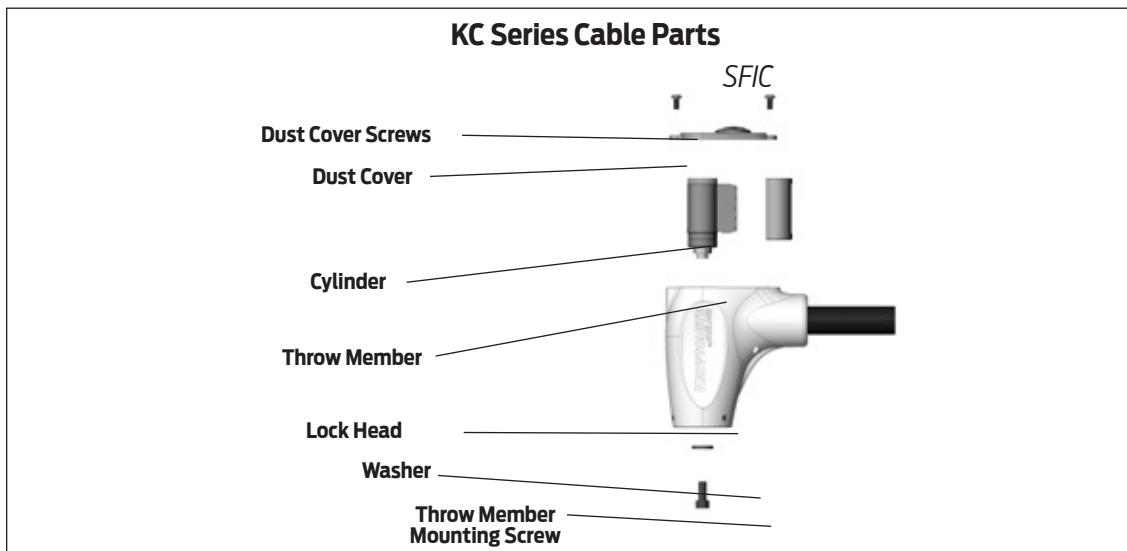
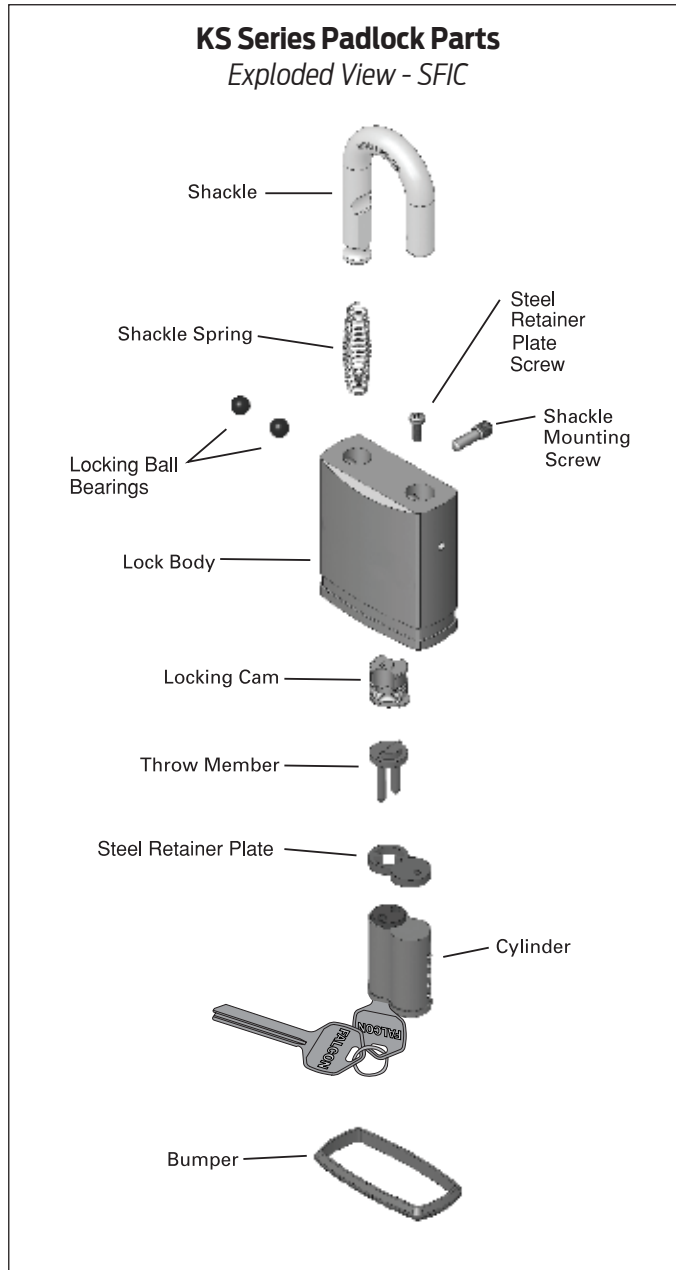
Important Ordering Information

Locks must be ordered in case quantities; this does not apply to factory ordered Falcon branded 955 Series locks. Case quantity is listed with each product. All prices listed are unit prices.

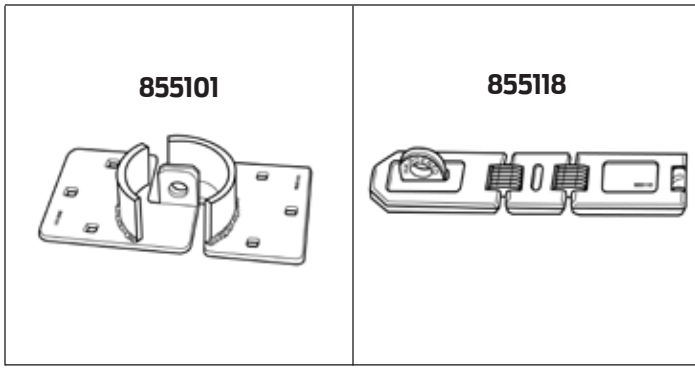
Note: All Falcon cylinders will ship separately.

Prices subject to change without notice

This page intentionally left blank



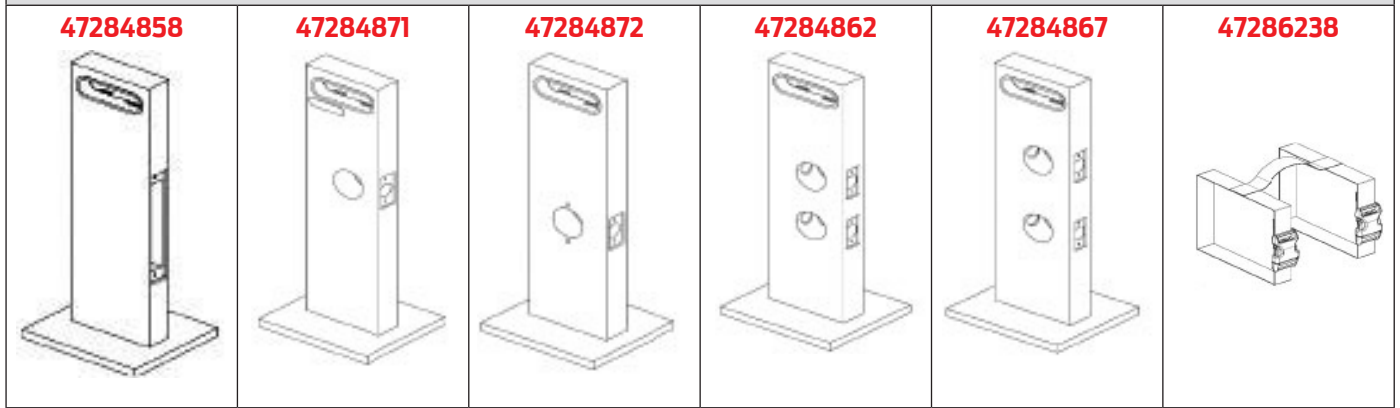
Prices subject to change without notice



Specialty Security Products			
Security Hasps			
Part Number	Body Dimension		Price Each
855101	8-1/2" x 4-1/2"	3	\$40.40
855118	7-3/4" x 1-3/4"	6	12.90

Prices subject to change without notice

Falcon Commercial White Wood Mounts



Display Mounts

Part Number	Description	Dimension (inches)					List Price
		Backset	Bore	Faceplate Width	Total Height	Width at Base	
47284858	Mortise Mount	2-3/4	-	1-1/4	19-7/8	8	\$160.00
47284871	Deadbolt, Knob, & Keypad Mount	2-3/8	2-1/8	1	19-7/8	8	160.00
47284872	Cylindrical Mount	2-3/4	2-1/8	1-1/8	19-7/8	8	160.00
47284862	4-inch Interconnect Mount	2-3/8	2-1/8	1	19-7/8	8	160.00
47284867	5.5-inch Interconnect Mount	2-3/8	2-1/8	1	19-7/8	8	160.00
44-115	Clear Plastic Mount Ring	-	-	-	-	-	43.20
47286238	Mount Carton Carrying Strap	-	-	-	-	-	20.00

Note: 1) Price does not include lock

Prices subject to change without notice

Part No.	Page	Part No.	Page	Part No.	Page	Part No.	Page
001911-001-70	143	030709-000-60	54, 68	031701-002	101	252	136
002086-000-70	162	030712-000-30	54, 68	031702-000	101	253	136
002762-000	54	030712-001-30	54, 68	031703-000	101	330055	143
002770-016-30	54, 69	030718-000-30	54, 68	031705-000-30	102	35-057	147
002807-000-30	148	030718-001-30	54, 68	031718-000	102	35-MA	162
005099-000	40	030722-000-30	54, 68	031719-000	102	36-071	93, 121
008789-001-60	147	030724-000-30	54, 68	031741-000-50	102	36-MA	162
008862-000	147	030726-000-30	54, 68	042613-000-60	147	37-016	132
008876-000	147	030726-007-30	54, 68	10-001	131, 132	37-MA	162
008876-001	147	030728-000	54, 68	10-026	131, 132	38-031	93, 121
008876-002	147	030729-000-70	68	10-027	131, 132	38-MA	162
008876-003	147	030732-000-30	68	10-064	93, 121	39-MA	162
008876-004	147	030732-001-30	68	10-087	93, 121	40-MA	162
008876-005	147	030733-002	68	10-092	93, 121, 131, 132	44-115	162
012136-000	77	030733-000-55	54, 68	10-094	93, 121, 131, 132	47284858	162
012137-000	77	030739-000-30	148	10-095	93, 121, 131, 132	47284871	162
012138-000	77	030739-001-30	148	10-109	131, 132	47284872	162
012162-000-10	147	030739-002-30	148	10-116	131, 132	47284862	162
012172-000-30	77	030739-003-30	148	10-121	131, 132	47284867	162
012236-000	77	030740-000	67	10-122	131, 132	47286238	162
012612-000-60	149	030740-001	67	10-123	131, 132	50-001	150
012966-000	77	030740-002	67	10-124	131, 132	50-002	151
012967-000	77	030742-000	53, 67	12-626	92, 120	50-003	151
021164-016	54, 69, 77, 102	030742-001	53, 67	1208	149	50-120	151
022104-000-30	54, 68	030742-002	53, 67	1387	54, 68	50-121	151
022105-000-30	54, 68	030744-000	53, 67	1388	68	50-122	151
022106-002-55	54, 68	030744-001	53, 67	1389	146	50-123	151
022108-000-60	54, 68	030744-002	53, 67	1390	149	50-210	150
022112-000-30	54, 68	030755-005-30	54, 69	1391	149	50-211	150
022175-000-30	148	030787-000-70	68	1392	149	50-212	150
022175-001-30	148	030831-004-30	54, 69	1393	149	50-215	150
022175-002-30	148	030926-001	67	1396	146	50-216	151
022258-007	77	030926-002	53, 67	1397	148	50-217	151
022258-008	77	030926-003	53, 67	1398	149	50-219	151
022258-009	77	030927-001	67	1400	149	50-232	150
022290-007	77	030927-002	53, 67	1401	149	5075	93, 121
022292-000	77	030927-003	53, 67	1402	149	5620-IC	148
022295-007	77	030928-001	67	1403	149	5620-STD	146
022295-008	77	030928-002	53, 67	1404	149	5621-IC	148
022295-009	77	030928-003	53, 67	1405	149	5621-STD	146
022295-010	77	030929-001	67	1407	149	5622-IC	148
022295-011	77	030929-002	53, 67	1411	149	5622-STD	146
022295-012	77	030929-003	53, 67	1414	149	60-000	150
022295-013	77	030930-001	67	1415	149	60-001	150
022295-014	77	030930-002	53, 67	1416	147	61-500	94, 123
022295-015	77	030930-003	53, 67	1417	147	61-501	94, 123
022295-016	77	030996-001	67	1418	147	61-502	94, 123
022295-017	77	030996-002	53, 67	1421	147	61-503	94, 123
022295-018	77	030996-003	53, 67	1453	147	61-504	123
022295-019	77	031034-000-30	149	1453-1	147	61-505	123
022295-020	77	031100-000-30	147	1453-2	147	61-506	123
022295-021	77	031452-000	53	21	162	61-507	94, 123
022295-022	77	031511-000-30	54, 68	22	162	61-509	120, 147
022295-023	77	031514-000-30	54, 68	23	162	61-510	120
022295-024	77	031515-004-30	69	24	162	61-5110	147
022295-025	77	031516-000-70	68	24483760	65	855101	161
022295-026	77	031519-000-30	54, 68	250	136	855118	161
022295-027	77	031531-006-30	69	251	136	855125	161
022295-028	77	031533-006-30	54, 69			945	136
022295-029	77	031541-006-30	54			950	136
022295-030	77	031700-002	101			951	136

Product Index - Locks

LOCKS

Product Index

Part No.	Page	Part No.	Page	Part No.	Page	Part No.	Page
954.....	136	A12663-004-00.....	148	A23160-18.....	138	A23168-3.....	139
973.....	136	A12663-008-00.....	148	A23160-19.....	138	A23168-4.....	139
974.....	136	A12663-009-00.....	148	A23160-2.....	138	A23168-5.....	139
984D.....	136	A12664-010-00.....	148	A23160-20.....	138	A23168-6.....	139
985.....	136	A12667-000-00.....	148	A23160-21.....	138	A23168-7.....	139
985D.....	136	A12667-001-00.....	148	A23160-22.....	138	A23168-8.....	139
985T.....	136	A12667-002-00.....	148	A23160-23.....	138	A23169.....	140
986.....	136	A12667-003-00.....	148	A23160-24.....	138	A23169-1.....	140
986T.....	136	A12667-006-00.....	148	A23160-25.....	138	A23169-10.....	140
987.....	136	A12667-007-00.....	148	A23160-26.....	138	A23169-11.....	140
988.....	136	A12667-008-00.....	148	A23160-3.....	138	A23169-12.....	140
990.....	136	A12667-011-00.....	148	A23160-4.....	138	A23169-13.....	140
992.....	136	A12667-013-00.....	148	A23160-5.....	138	A23169-2.....	140
994848.....	161	A12667-020-00.....	148	A23160-6.....	138	A23169-3.....	140
A02750-000-00.....	147	A12667-03A-00.....	148	A23160-7.....	138	A23169-4.....	140
A03039-000-00.....	147	A12689-000-00.....	148	A23160-8.....	138	A23169-5.....	140
A03519-000.....	77	A12698-000-00.....	148	A23161.....	76, 137	A23169-6.....	140
A08350-000-00.....	146	A20065-000-00.....	146	A23161-01.....	137	A23169-7.....	140
A08355-000-00.....	146	A20069-000-00.....	146	A23161-02.....	76, 137	A23169-8.....	140
A08395-000-00.....	146	A20278-000-00.....	148	A23161-03.....	76, 137	A23171-01.....	76, 137
A08552-000-00.....	147	A22164-000-00.....	146	A23161-05.....	51, 61, 137	A23171-02.....	76, 137
A08553-00X-00.....	147	A22164-001-00.....	146	A23161-06.....	51, 61,	A23171-05.....	51, 61, 137
A08554-000-00.....	147	A22164-002-00.....	146		99, 137	A23171-06.....	51, 61, 137
A08556-000-00.....	147	A22164-003-00.....	146	A23161-07.....	51, 61, 137	A23171-07.....	51, 61, 137
A08580-00X-00.....	147	A22169-000-00.....	146	A23162.....	76, 137	A23172-02.....	76, 137
A08790-000.....	147	A22169-002-00.....	146	A23162-02.....	76, 137	A23174.....	139
A08790-001.....	147	A23151.....	76, 137	A23165.....	137	A23174-1.....	139
A08790-002.....	147	A23151-01.....	137	A23165-02.....	99, 137	A23174-10.....	139
A08790-003.....	147	A23151-02.....	76, 137	A23166.....	140	A23174-11.....	139
A08790-004.....	147	A23151-03.....	76, 137	A23166-1.....	140	A23174-12.....	139
A08794-000.....	147	A23151-05.....	51, 61, 137	A23166-10.....	140	A23174-13.....	139
A08794-001.....	147	A23151-06.....	51, 61,	A23166-11.....	140	A23174-2.....	139
A08794-002.....	147		99, 137	A23166-12.....	140	A23174-3.....	139
A08794-003.....	147	A23151-07.....	51, 61, 137	A23166-13.....	140	A23174-4.....	139
A08867-000-00.....	146	A23152.....	76, 137	A23166-2.....	140	A23174-5.....	139
A09888-000-00.....	146	A23152-02.....	76, 137	A23166-3.....	140	A23174-6.....	139
A09890-000-00.....	146	A23155.....	137	A23166-4.....	140	A23174-7.....	139
A09894-001-00.....	146	A23155-02.....	99, 137	A23166-5.....	140	A23174-8.....	139
A09894-002-00.....	146	A23159-000.....	138	A23166-6.....	140	A24264-000-00.....	146
A09894-003-00.....	146	A23159-1.....	138	A23166-7.....	140	A28351-000-00.....	146
A09894-021-00.....	146	A23159-10.....	138	A23166-8.....	140	A30028.....	137
A09894-022-00.....	146	A23159-11.....	138	A23167.....	139	A30028-01.....	137
A09894-023-00.....	146	A23159-12.....	138	A23167-1.....	139	A30034-001-00.....	146
A09897-000-00.....	146	A23159-13.....	138	A23167-10.....	139	A30036-01.....	137
A09897-024-00.....	146	A23159-2.....	138	A23167-11.....	139	A30037-000-00.....	146
A09898-000-00.....	146	A23159-3.....	138	A23167-12.....	139	A30038-000-00.....	146
A09899-000-00.....	146	A23159-4.....	138	A23167-13.....	139	A30040.....	137
A12053-000-00.....	146	A23159-5.....	138	A23167-2.....	139	A30040-01.....	137
A12165-000-00.....	147	A23159-6.....	138	A23167-3.....	139	A30375-0xx-00.....	149
A12165-100-00.....	147	A23159-7.....	138	A23167-4.....	139	A30376-0xx-00.....	149
A12166-000-00.....	147	A23159-8.....	138	A23167-5.....	139	A30480-004-00.....	146
A12635-0xx-00.....	149	A23160-000.....	138	A23167-6.....	139	A30730-001-00.....	146
A12636-0xx-00.....	149	A23160-1.....	138	A23167-7.....	139	A30730-002-00.....	146
A12637-000-00.....	149	A23160-10.....	138	A23167-8.....	139	A30730-003-00.....	146
A12637-500-00.....	149	A23160-11.....	138	A23168.....	139	A30730-004-00.....	146
A12638-000-00.....	149	A23160-12.....	138	A23168-1.....	139	A30730-006-00.....	146
A12639-001-00.....	149	A23160-13.....	138	A23168-10.....	139	A30746-000-00.....	54, 68
A12639-002-00.....	149	A23160-14.....	138	A23168-11.....	139	A30747-000-00.....	54, 68
A12663-001-00.....	148	A23160-15.....	138	A23168-12.....	139	A30748-000-00.....	69
A12663-002-00.....	148	A23160-16.....	138	A23168-13.....	139	A30748-001-00.....	69
A12663-003-00.....	148	A23160-17.....	138	A23168-2.....	139	A30749-060-00.....	54, 68

Part No.	Page	Part No.	Page	Part No.	Page	Part No.	Page
A30749-070-00.....	54, 68	A48580-00X-00.....	147	AS76853	39	KB906	143
A30753-00	53, 67	A7801-xx	39	B202-578	133	KB907.....	143
A30753-01	53, 67	A7802-xx	39	B302-041	92, 120	KC215B130	157
A30756-000-00	69	A7804-xx	39	B302-045.....	92, 120	KS11D1200.....	157
A30756-001-00	69	A7805-xx	39	B502-873.....	133	KS11F1200.....	157
A30758-000-00	69	A7806-xx	39	B520-298.....	94, 122	KS21A1200.....	157
A30758-001-00	69	A7807-xx	39	B520-649.....	93, 121	KS21D1200.....	157
A30759-000-00	69	A7808-xx	39	B520-650.....	93, 121	KS21F1200.....	157
A30759-001-00	69	A7809-xx	39	B520-651	146	KS41D1200.....	157
A30760-000-00	69	A7813-xx	39	B520-652.....	146	KS41F1200.....	157
A30760-001-00	69	A7814-xx	39	B600-018.....	92, 120	KZ11A10	158
A30761-000-00	69	A7815-xx	39	B600-045.....	146	KZ11D10	158
A30765-000-00	69	A7816-xx	39	B600-046	146	KZ11D20.....	158
A30767-000-00.....	69	A7819-xx	39	B600-047	94, 122	KZ11F10.....	158
A30767-001-00	69	A7820-xx	39	B600-053	94, 122	KZ11F40.....	158
A30769-000-00	69	A7821-xx	39	B600-066	94, 122	KZ11G10	158
A30769-001-00	69	A7822-xx	39	B600-071	146	KZ11G20.....	158
A30773-000-00.....	69	A7829-xx	39	B600-078	94, 122	KZ11G40.....	158
A30773-001-00.....	69	A7830-xx	39	B600-100.....	94, 122	KZ12D10.....	158
A30775-000-00.....	68	A7831-xx	39	B600-101.....	94, 122	KZ12D20	158
A30780-000-00	68	A7851-12-xx.....	39	C603-897.....	94, 122	KZ12D40.....	158
A30780-001-00.....	68	A7851-12RX-xx.....	39	E77012-IB	40	KZ12G10.....	158
A30905-001-00.....	54	A7851-24-xx	39	E77012-IC	40	KZ12G20.....	158
A30905-060-00.....	54	A7851-24RX-xx	39	E77012-1K	40	KZ12G40.....	158
A30906-001-00.....	68	A7881-12-xx.....	39	E77012-1P	40	KZ13D10.....	158
A30906-060-00.....	68	A7881-12RX-xx.....	39	E77300.....	40	KZ13D20	158
A30906-070-00	54, 68	A7881-24-xx	39	E77301.....	40	KZ13D40	158
A30913-000-00.....	54, 68	A7881-24RX-xx.....	39	E77302.....	40	KZ13F10	158
A30913-001-00.....	54, 68	AE55012-OC	39	E77303.....	40	KZ13F20.....	158
A30915-000-00.....	68	AE55012-OT	39	E77306.....	40	KZ13F40.....	158
A30915-001-00.....	68	AE77012-1E	40	E77307.....	40	M204-198.....	68
A31517-000-00.....	69	AE77012-1T	40	J250-028	93, 94, 121, 122	PE1396.....	40
A31517-001-00.....	69	AE77012-OC	40	KB525.....	143	Q001-055.....	148
A31518-000-00.....	69	AE77012-OK	40	KB531.....	143	Q005-085.....	111
A31518-001-00	69	AE77012-OP	40	KB536.....	143	Q033-026.....	111
A31544-00*	53	AE77012-OT	40	KB544.....	143	Q033-066.....	138
A31544-00.....	67	AE77029-L/RH	39	KB545.....	143	Q033-067.....	138
A31706-000-00.....	101	AE77100-L/RH.....	39	KB546.....	143	Q033-069.....	138
A31707-000-00.....	101	AE77140-L/RH.....	39	KB565.....	143	Q033-070.....	138
A31707-002-00.....	101	AE77280-L/RH.....	39	KB566.....	143	Q033-071.....	138
A31708-000.....	101	AE77310-L/RH.....	39	KB567.....	143	Q033-072.....	139
A31708-001.....	101	AE77321-L/RH.....	39	KB573.....	143	Q033-073.....	139
A31708-002.....	101	AE77360-L/RH.....	39	KB574.....	143	Q033-074.....	139
A31708-003.....	101	AE77526-L/RH.....	39	KB577.....	143	Q033-075.....	140
A31709-000-00.....	101	AE77760-L/RH.....	39	KB578.....	143	Q033-076.....	140
A31709-001-00.....	101	AE87012-OC.....	40	KB579.....	143	Q033-077.....	139
A31714-000-00.....	101	AE87012-OK	40	KB580.....	143	Q033-078.....	139
A31714-001-00.....	101	AE87012-OT	40	KB581.....	143	Q033-079.....	139
A31715-000-00.....	101	AE87012-1C.....	40	KB582.....	143	Q100-100	131, 132
A31715-001-00.....	101	AS5813.....	40	KB584.....	143	Q100-101.....	131, 132
A31716-000-00.....	101	AS75319.....	39	KB590.....	143	Q100-102	132
A31716-001-00.....	101	AS76029-L/RH.....	39	KB591.....	143	Q100-104	137
A31739-000.....	101	AS76100-L/RH.....	39	KB592.....	143	Q100-105.....	137
A31739-001.....	101	AS76140-L/RH.....	39	KB593.....	143	Q100-108.....	138
A31750-000.....	101	AS76280-L/RH.....	39	KB751.....	143	Q330-041.....	131, 132
A31750-001.....	101	AS76310-L/RH.....	39	KB761.....	143	Q330-152.....	109, 138
A31751-000.....	101	AS76319.....	39	KB771.....	143	Q330-154.....	109, 137
A31751-001.....	101	AS76321-L/RH.....	39	KB794.....	143	Q330-156.....	140
A31764-000.....	101	AS76360-L/RH.....	39	KB797.....	143	Q330-158.....	139
A31767-000.....	102	AS76526-L/RH.....	39	KB799.....	143	Q330-160.....	140
A48553-00X-00.....	147	AS76760-L/RH.....	39	KB905.....	143		

Product Index - Locks

LOCKS

Product Index

Part No.	Page	Part No.	Page	Part No.	Page	Part No.	Page
Q330-164	.111, 146	Q330-254	.120	Q330-432 LAT	.67	Q500-071-5C	.138
Q330-166	.139	Q330-256	.92	Q330-432 LON	.67	Q500-072	.119, 137
Q330-168	.111, 148	Q330-257	.92	Q330-433 BRK	.67	Q630-246	.84
Q330-169	.111, 148	Q330-270	.68	Q330-433 BRW	.67	Q630-254	.84
Q330-170	.111	Q330-271	.68	Q330-433 LAT	.67	Q630-276	.84
Q330-175	.120, 132	Q330-272	.54	Q330-433 LON	.67	Q630-277	.84
Q330-176	.92	Q330-273	.54	Q330-447	.111	Q630-278	.84
Q330-177	.120, 132	Q330-276	.143	Q330-448	.111	Q630-279	.84
Q330-178	.92	Q330-282	.111	Q500-010	.119, 137	Q630-288	.84
Q330-179	.111	Q330-306	.82	Q500-012	.119, 137	Q630-289	.84
Q330-182	.111	Q330-310	.82	Q500-014	.119, 137	Q630-312	.84
Q330-210	.139	Q330-311	.82	Q500-021	.91, 137	R525-256	.94, 122
Q330-215	.143	Q330-391	.82	Q500-022	.137	S206-504	.133
Q330-237	.138	Q330-392	.84	Q500-046	.91, 137	S206-505	.133
Q330-238	.137	Q330-393	.84	Q500-047	.137	S206-506	.133
Q330-239	.140	Q330-394	.84	Q500-047	.137	S76012	.39
Q330-240	.139	Q330-396	.82	Q500-054	.91, 137	S76206	.40
Q330-241	.139	Q330-397	.82	Q500-055	.137	S76300	.40
Q330-242	.139	Q330-399	.84	Q500-056	.119, 137	S76301	.40
Q330-243	.140	Q330-430 BRK	.67	Q500-057	.119, 137	S76302	.40
Q330-245	.138	Q330-430 BRW	.67	Q500-058	.91, 137	S76303	.40
Q330-245-5	.138	Q330-430 LAT	.67	Q500-059	.91, 137	S76306	.40
Q330-246	.137	Q330-430 LON	.67	Q500-064	.91, 137	S76307	.40
Q330-247	.140	Q330-431 BRK	.67	Q500-065	.137	S76802	.40
Q330-248	.139	Q330-431 BRW	.67	Q500-065-5C	.138	S76806	.40
Q330-249	.139	Q330-431 LAT	.67	Q500-066	.91, 137	S76816	.40
Q330-250	.139	Q330-431 LON	.67	Q500-067	.119, 137		
Q330-251	.140	Q330-432 BRK	.67	Q500-069	.119, 137		
Q330-253	.120	Q330-432 BRW	.67	Q500-070	.91, 137		
				Q500-071	.138		

Finishes	168
General Exit Device Information	168
Factors Affecting Exit Devices	169
New Nomenclature Conversion Chart	170
How to Order	171-172

Exit Devices

Pushpad Architectural Heavy Duty

25-R Series	174-175
25-V Series.....	176-177
25-M Series	178-179
25-C Series.....	180-181
25-C-WDC Series	182-183
25 Series Device Options	184-185
25 Series Trims	186
25 Series Device Accessories.....	186-189
25 Series Device and Trim Parts	190-194
24-R Series	210-211
24-V Series	212-213
24-C Series.....	214-215
24-C-CWDC Series	216-217
24 Series Device Options	218
24 Series Trims.....	219
24 Series Device Accessories.....	220-222
24 Series Device and Trim Parts	223-227

Puahpad Commercial Medium Duty

19-R Series	240-241
19-V Series	242-243
19 Series Device Options.....	244
19 Series Trims	245
19 Series Device Accessories.....	246-248
19 Series Device and Trim Parts.....	249-250

20 Series Devices and Trims	258
-----------------------------------	-----

1490 Series and Device Options/Accessories.....	259-260
1590 Series and Device Options/Accessories.....	261-262
1490/1590 Device Parts	263

1690 Series and Device Options/Accessories	271-272
1690 Device Parts.....	273

1790 Series and Devcie Options/Accessories	276-277
1790 Device Parts	278

Crossbar Narrow Stile

1990 Series and Device Options/Accessories.....	280-281
1990 Device Parts.....	282
2090 Series and Device Options/Accessories	286-287
2090 device Parts.....	288

Recessed Concealed Vertical Mid-Panel 292

2390 Series and Device Options/Accessories	292
2390 Device Parts.....	294

Exit Device Accessories 298

Mullions and Mullion Parts	298
Mullion Parts.....	299
Sex Bolts.....	299
Delayed Egress.....	299

Numerical Index.....	300-302
----------------------	---------



Prices subject to change without notice

Exit Device Finishes

US	BHMA	Finish Color Description
SP28	689	Silver Painted (Resembles Aluminum Finish)
P13/SP313	695	Dark Bronze Painted (Spray Duranodic)
P35	622	Flat Black Painted
US3	605/666	Brass, Polished
US4	606/667	Brass, Satin
US9	611/705	Bronze, Polished
US10	612/668	Bronze, Satin
US11	643e	Aged Bronze
US10B	613/703	Bronze, Oil-Rubbed Satin
US15	619/670	Nickel, Satin
US19	622	Flat Black Painted
US26	625/672	Chrome, Polished
US26D	626/702	Chrome, Satin
US32	629	Stainless Steel, Polished
US32D	630	Stainless Steel, Satin
US28	628	Anodized Aluminum, Clear (Satin)
DC13 / 313AN	710	Anodized Aluminum, Duranodic Dark Bronze
DC35	711	Anodized Aluminum, Flat Black
USP	600	Prime Coat

REFERENCE NOTES:

- 1) Material substrate varies by device component, US and BHMA code used represents overall finish appearance of assembled device.
- 2) SP28 and SP313 contain certain exposed parts that are molded from black plastic material or black powder coated finish.
- 3) When split finish is desired, the finish listed first is understood to be the outside finish.
- 4) See specific device pages for available finishes by device.

General Information (Specific to the Falcon 19, 24, 25, and XX series exit devices)

All products listed meet ANSI A156.3 Grade 1 standard.

Devices will be furnished for hollow metal doors 3'0" x 7'0" x 1-3/4" full flush, with 5/8" high frame stops unless specified otherwise.

DOOR WIDTHS

EXIT DEVICES for door widths exceeding 4'0" are custom applications. Specify the exact door width and consult factory for price and availability. For device widths on narrow stile aluminum and glass doors, consult factory.

DOOR THICKNESS

EXIT DEVICES are furnished at prices listed for door thicknesses of 1 3/4" with standard centerlines. Other door thicknesses and/or offset installations may require additional charges for the device, trim, control and/or strike. Consult factory.

DOOR HEIGHTS/DEVICE CENTERLINE

SURFACE and **CONCEALED VERTICAL ROD DEVICES** for heights over 7'0" up to 8'0", extension rods are furnished at no additional charge. For heights over 8'0" up to 10'0" extension rods are furnished at prices shown on specific device parts pages. For doors higher than 10'0" or when centerline is other than standard, specify exact height. Consult factory for price.

86 OR 161 DOOR PREPARATIONS

When devices will apply over a 86 or 161 door preparation, consult factory.

DEVICE MOUNTING SCREWS

Machine screws are furnished with Fire Exit Devices. Sheet metal screws are furnished with Panic Devices. Machine screws can be substituted at no additional charge, specify AMS.

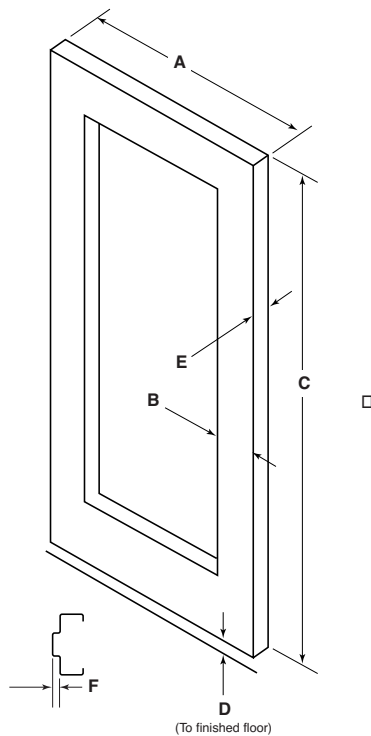
SUBSTITUTION OF OUTSIDE TRIM OR STRIKES

When other than standard is desired, deduct price of standard and add price of item used. Check catalog for compatibility. Lever trim is furnished standard Dane. Optional lever designs of Avalon, Quantum, and Sutro are available at no additional charge.

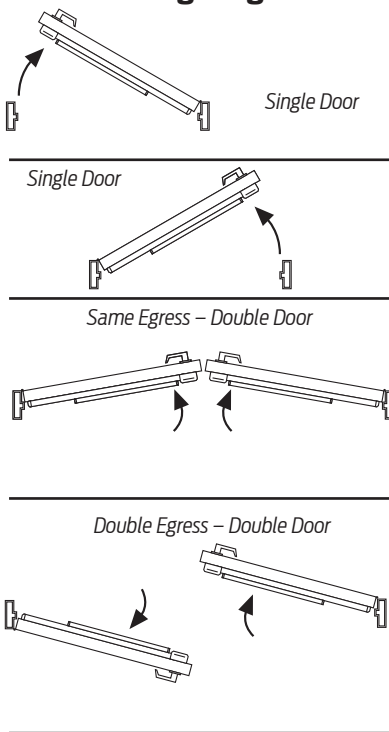
ELECTRIC ACCESSORIES

When specifying Electrical Products, consult catalog or factory to ensure all coordinating accessories have been considered. All electric devices must use respective power supply for warranty to apply.

Prices subject to change without notice



Handing Diagrams



A Door Width

Specify exact door width. This determines what size device is supplied. If door width not specified, 3' is furnished standard.

B Stile Width

Determines which series can be used because of the dimension of the active or inactive case. In conjunction with the door width, the width of the device is also affected.

C Door Height

Rod lengths and extension rod requirements for surface vertical or concealed vertical rod devices are determined by height.

D Undercut

Bottom rods and bottom latches or bolts for vertical rod applications are affected by the distance between the bottom of the door and the surface to which the strike will apply; 1/4" minimum, 3/4" maximum.

E Thickness

When trim is used with a device it is affected by thickness as is the length of fasteners and cylinders.

F Stop Height

The type of strike and affect on backsets is determined by the stop (5/8" standard)

Glass Bead

In the case of touch bar devices, series 19, 24 and 25, glazing bead or trim can interfere with the device requiring shim kits with modified trim and/or device.

Fire Labels

As a component of a fire door assembly, exit devices must meet special requirements.

Other

Factors such as transom panels, sill conditions and astragals can affect exit device selection.

Pairs

When devices will occur on paired door leaves, order them together.

Materials

Unusual door or frame materials can affect device selection such as channel iron frames, blade stop frames, hollow core doors and mineral core doors.

Conversion Table

17 Series to 24 Series

Old	New	Trim
(F)17-R	(F)24-R	No Change
(F)17-V	(F)24-V	No Change
(F)17-C	(F)24-C	No Change
(F)17-C-WDC	(F)24-C-WDC	No Change

18 Series to 25 Series

Old	New	Trim
(F)18-R	(F)25-R	See Below
(F)18-V	(F)25-V	See Below
(F)18-C	(F)25-C	See Below
(F)18-C-WDC	(F)25-C-WDC	See Below
(F)18-M	(F)25-M	See Below

18 Series to 25 Series Trim

Old	Old Trim	New	Old	Old Trim	New
812L	Lever Trim	510L	810TP	Apollo	512TP
812L-NL	Lever Trim	510L-NL	810NL	Apollo	512NL
812L-DT	Lever Trim	510L-DT	810DT	Apollo	512DT
812L-BE	Lever Trim	510L-BE	810TP-BE	Apollo	512TP-BE
816L	Vandal Resistant	511L	811K	Knob	513K
820TP	Vanguard	512TP	811K-NL	Knob	513K-NL
820NL	Vanguard	512NL	811K-DT	Knob	513K-DT
820DT	Vanguard	512DT	811K-BE	Knob	513K-BE
820TP-BE	Vanguard	512TP-BE	717DT	Delta	717DT
				Key in Lever	Discontinued

17/18 Strikes to 24/25 Strikes

Old	New	24 Series	25 Series	Comments
F490	299	X	X	Need 650106 retrofit kit for existing prep
F490	299F	X	X	Need 650106 retrofit kit for existing prep
565	1439	X	X	
F570	299	X	X	Need 650106 retrofit kit for existing prep
F570	299F	X	X	Need 650106 retrofit kit for existing prep
571	1609	X	X	
579	1606	Not recommended	X	
No Equivalent	499F	Not offered	X	
No Equivalent	264	X	X	

19 Series Trim Changes

Old	New	Trim/Control	Old	New	Trim/Control
1953DT	920DT	Trident	1910L-NL	912L-NL-Dane	Control
1955P	920NL	Trident	1920L LS/LK	912L-BE-Dane	Control
1904 PULL ONLY	917DT	Centron	1980L-DT	912L-DT-Dane	Control
2301BE	930EO	Centron	1919L	912L-Quantum	Control
2303DT	930DT	Centron	1919L-NL	912L-NL-Quantum	Control
2302C	930C	Centron	1929L LS/LK	912L-BE-Quantum	Control
2305P	930NL	Centron	1989L-DT	912L-DT-Quantum	Control
1907K	911K	Control	1912L	912L-Sutro	Control
1907K-NL	911K-NL	Control	1912L-NL	912L-NL-Sutro	Control
1927K LS/LK	911K-BE	Control	1922L-BE	912L-BE-Sutro	Control
1937K-DT	911K-DT	Control	1982L-DT	912L-DT-Sutro	Control
1911L	912L	Control	2400KIL w/IC Core	914KIL-IC	Key in Lever
1911L-NL	912L-NL	Control	2400KIL	914KIL-KD	Key in Lever
1921L LS/LK	912L-BE	Control	2401KIL LS/LK	914KIL-BE	Key in Lever
1981LDT	912L-DT	Control	2402KIL-NL	914KIL-NL-KD	Key in Lever
1910L	912L-Dane	Control			

Prices subject to change without notice

How to Order Sequence Example

MEL F 25 V L-DANE US3 3' LHR LBR SNB WD

Prefixes

AX	Accessible Device (25 and 19 Series Only)
CD	Cylinder Dogging
LD	Less Dogging
RX	Touchbar Request to Exit
DM	Latchbolt Monitor Switch - when fully extended
LM	Latchbolt Monitor Switch - when fully retracted
KOR	Key Bypass Switch
EL	Electric Latch Retraction
MEL	Motorized Electric Latch Retraction
FSA	Electric Lock or Unlock Trim-Fail Safe (25 Series Only)
FSE	Electric Lock or Unlock Trim-Fail Secure (25 Series Only)
EA	Exit Alarm

Rating

F	Fire Exit Hardware
Blank	Panic Exit Hardware

Device Series

19	Touch Bar Device, Narrow Stile
24	Touch Bar Device, Narrow Stile
25	Touch Bar Device

Device Type

R	Rim	C	Concealed Vertical rod
V	Surface Vertical Rod	C-WDC	Concealed Vertical rod Wood Door
M	Mortise		

Trim Function (see Trim pages for all functions)

EO	Exit Only	K	Knob
DT	Dummy Trim	L	Lever (Dane Standard)
NL	Night Latch	TL	Thumb Lever
C	Cylinder Trim Plate	NL-OP	Night Latch Pull by other
TP	Thumbpiece	KIL	Key in Lever

Finish

US3	US10	US15*	US26	US32	SP28	
US4	643E*	US19*	US26D	US32D	SP313	313AN

Door Width

3'	Standard Default
4'	
2' (less label)	

Door Thickness

1-3/4"	Standard
2-1/4"	Optional

Handing

RHR	Right Hand Reverse
LHR	Left Hand Reverse

Less Bottom Rod

LBR	Less Bottom Rod
LBR-AFL	LBR w/Auxiliary Fire Pin

Accessories

CYL	Cylinder	SNB	Sex Bolts	AMS	All Machine Screws
SK	Shim Kit	SLM	SLM Blocking		

Other Miscellaneous Door Information

HMD	Hollow Metal Door	SCDC	Steel Channel Door Construction	-	Door Label (20 min, 45 min, 90 min 1-1/2 hr)
HMF	Hollow Metal Frame	-	Specify other Door or Frame	-	Stile Width
WD	Wood Door	-	Material information	-	Frame Stop Height
WDF	Wood Frame	-	Door Height	SGL	Single Door
ALD	Aluminum Door	-	Door Thickness	PR	Pair of Doors Swinging Same Direction
ALF	Aluminum Frame	-	Door Undercut	DE	Double Egress Doors
CPD	Composite Door	-		CON	Allegion Connect

*643E, US15 and US19 are available on select 24 and 25 Series

Not all options are available on all series, consult customer service.

For Special Order Product Quotes: Email: vdj_specials@allegion.com Fax: 1-877-730-6248

Prices subject to change without notice



Trim - How to Order

How to Order Sequence Example

				510	L - R	US26D	LHR	SUTRO	FSE	CYL
Trim Series										
D24 Series	D25 Series	19 Series	XX Series							
711	510	911	711							
712	511	912	712							
715	512	914	717							
717	513	917	718							
718	717	918	810							
	718	920	811							
		930	812							
			815							
			816							
			820							
Trim Function (see Trim pages for all functions)										
EO	Exit Only									
DT	Dummy Trim									
NL	Night Latch									
C	Cylinder Trim Less Pull									
TP	Thumbpiece									
K	Knob									
L	Lever (Dane Standard)									
KIL	Key in Lever									
TL	Thumb Lever									
Device Type										
R	Rim									
V	Surface Vertical Rod									
M	Mortise									
C	Concealed Vertical Rod (includes WDC)									
Finish										
US3	US10	643E*	US19*	US26D	SP313					
US4	US10B	US15*	US26	SP28	US32	US32D				
Handing										
RHR	Right Hand Reverse									
LHR	Left Hand Reverse									
Lever Style										
DANE	(DAN) supplied standard if not specified			BROADWAY	(BRW)* (available on 24 and 25 Series only)					
SUTRO	(SUT)			DANISH	(DSH)* (available on 24 and 25 Series only)					
QUANTUM	(QUA)			LATITUDE	(LAT)* (available on 24 and 25 Series only)					
AVALON	(AVA) (available on 24, 25 and xx Series only)			LONGITUDE	(LON)* (available on 24 and 25 Series only)					
BOARDWALK	(BRK)* (available on 24 and 25 Series only)									
Trim Options										
FSA	Electric Lock or Unlock-Fail Safe (FSA device required)									
FSE	Electric Lock or Unlock-Fail Secure (FSE device required)									
CON	Allegion Connect									
Other Information or Accessories										
CYL	Include Cylinder with Trim									
KD	Cylinder Keyed Different									
Door Thickness										
Specify door thickness other than 1-3/4"										

*New finishes and levers are available on select 24 and 25 Series.

Prices subject to change without notice

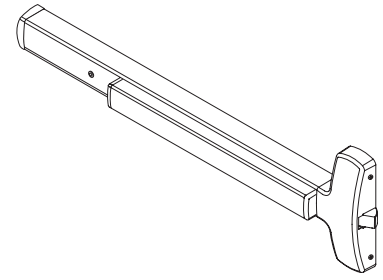
Discount Policy on Von Duprin and Falcon Common Products and Parts:

- Von Duprin discount applies on products and parts, such as power supplies, power transfers, and other parts or accessories common to both brands.
- Customers not open to Von Duprin product will receive a minimum buying program with a 50% multiplier.

EXITS

Prices subject to change without notice

3' Devices are priced with standard trim and strike, 4' add \$19 list.
Cylinders are not included in the price.



EXIT HARDWARE

Rim Devices

(Price includes 299 Strike)

	Trim/Control	US28	US32D	313AN	US19* US26D	US26	US32	US10	US4	US3 643E* US15*
* 25-R-EO		895	1114	949	1091	1135	1158	1135	1158	1276
* 25-R-NL-OP	(Supplied as NL less trim)	895	1114	949	1091	1135	1158	1135	1158	1276
Lever - Dane (handed and field reversible)										
* 25-R-L	510L*	1230	1508	1284	1485	1536	1559	1470	1493	1677
* 25-R-L-BE	510L-BE*	1230	1508	1284	1485	1536	1559	1470	1493	1677
* 25-R-L-NL	510L-NL*	1163	1429	1217	1406	1503	1526	1403	1426	1644
* 25-R-L-DT	510L-DT*	1163	1429	1217	1406	1503	1526	1403	1426	1644
VR Lever (handed and field reversible)										
* 25-R-L	511L*	1289	1564	1343	1541	1594	1617	1529	1552	1735
Thumbpiece (non-handed)										
25-R-TP	512TP	1194	1444	1248	1421	1522	1545	1434	1457	1663
25-R-TP-BE	512TP-BE	1194	1444	1248	1421	1522	1545	1434	1457	1663
* 25-R-NL	512-NL*	1137	1378	1191	1355	1447	1470	1377	1400	1588
Knob (non-handed)										
25-R-K	513K	1148	1409	1202	1386	1481	1504	1388	1411	1622
25-R-K-BE	513K-BE	1148	1409	1202	1386	1481	1504	1388	1411	1622
25-R-K-NL	513K-NL	1148	1409	1202	1386	1481	1504	1388	1411	1622
25-R-K-DT	513K-DT	1148	1409	1202	1386	1481	1504	1388	1411	1622
DT Pull (717 handed and field reversible, 512 non-handed)										
25-R-DT	717DT	1079	1378	1175	1355	1399	1422	1319	1342	1540
25-R-DT	512DT	1099	1320	1153	1297	1447	1470	1339	1362	1588

* These devices and 510L, 510L-BE, 510L-NL, 510L-DT, 511L, 512NL trims are available in 643E, US15, and US19 finishes.

REFERENCE NOTES:

25 Series ordered in 313AN will be supplied with trims in SP313.

Handing: 25-R Device is non-handed. Trims are furnished RHR when handing is not specified.

Sex Bolts:

Optional Sex Bolts are recommended for center case mounting when device is used with hollow core wood, composite or light gauge hollow metal doors. See chart below for quantities and list prices.

Application	Sex Bolt 425 (Optional)	List Add
Hollow core wood, composite, or light gauge hollow metal doors - EO (exit only device)	8	104
Hollow core wood, composite, or light gauge hollow metal doors - Device x Trim	4	52

Prices subject to change without notice

**3' Devices are priced with standard trim and strike, 4' add \$19 list.
Cylinders are not included in the price.**

FIRE EXIT HARDWARE

Rim Devices

(Price includes 299F Strike)

	Trim/Control	US28	US32D	313AN	US19* US26D	US26	US32	US10	US4	US3 643E* US15*
* F-25-R-EO		1105	1324	1159	1301	1345	1368	1345	1368	1486
* F-25-R-NL-OP	(Supplied as NL less trim)	1105	1324	1159	1301	1345	1368	1345	1368	1486
Lever - Dane (handed and field reversible)										
* F-25-R-L	510L*	1440	1718	1494	1695	1746	1769	1680	1703	1887
* F-25-R-L-BE	510L-BE*	1440	1718	1494	1695	1746	1769	1680	1703	1887
* F-25-R-L-NL	510L-NL*	1373	1639	1427	1616	1713	1736	1613	1636	1854
* F-25-R-L-DT	510L-DT*	1373	1639	1427	1616	1713	1736	1613	1636	1854
VR Lever (handed and field reversible)										
* F-25-R-L	511L*	1499	1774	1553	1751	1804	1827	1739	1762	1945
Thumbpiece (non-handed)										
F-25-R-TP	512TP	1404	1654	1458	1631	1732	1755	1644	1667	1873
F-25-R-TP-BE	512TP-BE	1404	1654	1458	1631	1732	1755	1644	1667	1873
* F-25-R-NL	512-NL*	1347	1588	1401	1565	1657	1680	1587	1610	1798
Knob (non-handed)										
F-25-R-K	513K	1358	1619	1412	1596	1691	1714	1598	1621	1832
F-25-R-K-BE	513K-BE	1358	1619	1412	1596	1691	1714	1598	1621	1832
F-25-R-K-NL	513K-NL	1358	1619	1412	1596	1691	1714	1598	1621	1832
F-25-R-K-DT	513K-DT	1358	1619	1412	1596	1691	1714	1598	1621	1832
DT Pull (717 handed and field reversible, 512 non-handed)										
F-25-R-DT	717DT	1289	1588	1385	1565	1609	1632	1529	1552	1750
F-25-R-DT	512DT	1309	1530	1363	1507	1657	1680	1549	1572	1798

* These devices and 510L, 510L-BE, 510L-NL, 510L-DT, 511L, 512NL trims are available in 643E, US15, and US19 finishes.

REFERENCE NOTES:

25 Series ordered in 313AN will be supplied with trims in SP313.

Handing: F-25-R Device is non-handed. Trims are furnished RHR when handing is not specified.

Sex Bolts:

Sex Bolts are supplied for center case mounting when device is used with wood, composite or non-reinforced hollow metal doors. See chart below for quantities.

Application	Sex Bolt 425 (Supplied)
Wood, composite or non-reinforced hollow metal doors - EO (exit only device)	8
Wood, composite or non-reinforced hollow metal doors - Device x Trim	4

Prices subject to change without notice

EXITS

 Pushpads

 Architectural /
 Heavy Duty

 25 Series

3' Devices are priced with standard trim and strikes, 4' add \$19 list and 2' (less label) add \$123 list. Cylinders are not included in the price.

EXIT HARDWARE
Surface Vertical Rod Devices
 (Includes 3788 & 2130 Strikes)

Trim/Control	US28	US32D	313AN	US19* US26D	US26	US32	US10	US4	US3 643E* US15*	
* 25-V-EO	1302	1631	1383	1589	1656	1688	1656	1688	1783	
* 25-V-NL-OP (Supplied as NL less trim)	1302	1631	1383	1589	1656	1688	1656	1688	1783	
Lever - Dane (handed and field reversible)										
* 25-V-L 510L*	1637	2025	1718	1983	2057	2089	1991	2023	2184	
25-V-L-BE 510L-BE	1637	2025	1718	1983	2057	2089	1991	2023	2184	
* 25-V-L-NL 510L-NL*	1570	1946	1651	1904	2024	2056	1924	1956	2151	
* 25-V-L-DT 510L-DT*	1570	1946	1651	1904	2024	2056	1924	1956	2151	
VR Lever (handed and field reversible)										
* 25-V-L 511L*	1696	2081	1777	2039	2115	2147	2050	2082	2242	
Thumbpiece (non-handed)										
25-V-TP 512TP	1601	1961	1682	1919	2043	2075	1955	1987	2170	
25-V-TP-BE 512TP-BE	1601	1961	1682	1919	2043	2075	1955	1987	2170	
* 25-V-NL 512-NL*	1544	1895	1625	1853	1968	2000	1898	1930	2095	
Knob (non-handed)										
25-V-K 513K	1555	1926	1636	1884	2002	2034	1909	1941	2129	
25-V-K-BE 513K-BE	1555	1926	1636	1884	2002	2034	1909	1941	2129	
25-V-K-NL 513K-NL	1555	1926	1636	1884	2002	2034	1909	1941	2129	
25-V-K-DT 513K-DT	1555	1926	1636	1884	2002	2034	1909	1941	2129	
DT Pull (717 handed and field reversible, 512 non-handed)										
25-V-DT 717DT	1486	1895	1609	1853	1920	1952	1840	1872	2047	
25-V-DT 512DT	1506	1837	1587	1795	1968	2000	1860	1892	2095	

* These devices and 510L, 510L-BE, 510L-NL, 510L-DT, 511L, 512NL trims are available in 643E, US15, and US19 finishes.

REFERENCE NOTES:

25 Series ordered in 313AN will be supplied with trims in SP313.

25-V Device ordered in US15 will be supplied with US32D Rod and Latch Cover.

Handing: The 25-V Device is handed and field reversible. Trims are furnished RHR when handing is not specified.

Extension Rods: For door heights over 7'0" up to 8'0", 12" extension rods are furnished at no additional charge at the time of device order. For door heights over 8'0" up to 10'0" extension rods are furnished at prices shown in parts section with the device at the time of order. MUST specify door height on order line.

Sex Bolts:

Optional Sex Bolts are recommended for center case and latch mounting when device is used with hollow core wood, composite or light gauge hollow metal doors. See chart below for quantities and list prices.

Application	Latches Sex Bolt 2729 (Optional)	Device Sex Bolt 425 (Optional)	List Add
Hollow core wood, composite or light gauge hollow metal doors - EO (exit only device)	6	6	138
Hollow core wood, composite or light gauge hollow metal doors - Device x Trim	6	2	86
Hollow core wood, composite or light gauge hollow metal doors - EO (exit only device) LBR	3	6	108
Hollow core wood, composite or light gauge hollow metal doors - Device x Trim LBR	3	2	56

Prices subject to change without notice

EXITS

Pushpads

Architectural /
Heavy Duty

25 Series

3' Devices are priced with standard trim and strikes, 4' add \$19 list and 2' (less label) add \$123 list. Cylinders are not included in the price.

FIRE EXIT HARDWARE
Surface Vertical Rod Devices
 (Includes 3788 & 2130 Strikes)

	Trim/Control	US28	US32D	313AN	US19* US26D	US26	US32	US10	US4	US3 643E* US15*
* F-25-V-EO		1496	1825	1577	1783	1850	1882	1850	1882	1977
* F-25-V-NL-OP	(Supplied as NL less trim)	1496	1825	1577	1783	1850	1882	1850	1882	1977
Lever - Dane (handed and field reversible)										
* F-25-V-L	510L*	1831	2219	1912	2177	2251	2283	2185	2217	2378
* F-25-V-L-BE	510L-BE*	1831	2219	1912	2177	2251	2283	2185	2217	2378
* F-25-V-L-NL	510L-NL*	1764	2140	1845	2098	2218	2250	2118	2150	2345
* F-25-V-L-DT	510L-DT*	1764	2140	1845	2098	2218	2250	2118	2150	2345
VR Lever (handed and field reversible)										
* F-25-V-L	511L*	1890	2275	1971	2233	2309	2341	2244	2276	2436
Thumbpiece (non-handed)										
F-25-V-TP	512TP	1795	2155	1876	2113	2237	2269	2149	2181	2364
F-25-V-TP-BE	512TP-BE	1795	2155	1876	2113	2237	2269	2149	2181	2364
* F-25-V-NL	512-NL*	1738	2089	1819	2047	2162	2194	2092	2124	2289
Knob (non-handed)										
F-25-V-K	513K	1749	2120	1830	2078	2196	2228	2103	2135	2323
F-25-V-K-BE	513K-BE	1749	2120	1830	2078	2196	2228	2103	2135	2323
F-25-V-K-NL	513K-NL	1749	2120	1830	2078	2196	2228	2103	2135	2323
F-25-V-K-DT	513K-DT	1749	2120	1830	2078	2196	2228	2103	2135	2323
DT Pull (717 handed and field reversible, 512 non-handed)										
F-25-V-DT	717DT	1680	2089	1803	2047	2114	2146	2034	2066	2241
F-25-V-DT	512DT	1700	2031	1781	1989	2162	2194	2054	2086	2289

* These devices and 510L, 510L-BE, 510L-NL, 510L-DT, 511L, 512NL trims are available in 643E, US15, and US19 finishes.

REFERENCE NOTES:

25 Series ordered in 313AN will be supplied with trims in SP313.

25-V Device ordered in US15 will be supplied with US32D Rod and Latch Cover.

Handing: The F-25-V Device is handed and field reversible. Trims are furnished RHR when handing is not specified.

Extension Rods: For door heights over 7'0" up to 8'0", 12" extension rods are furnished at no additional charge at the time of device order. For door heights over 8'0" up to 10'0" extension rods are furnished at prices shown in parts section with the device at the time of order. MUST specify door height on order line.

Sex Bolts:

Sex Bolts are supplied for center case mounting and latch mounting when device is used with wood, composite or non-reinforced hollow metal doors. See chart below for quantities.

Application	Latches Sex Bolt 2729 (Supplied)	Device Sex Bolt 425 (Supplied)
Wood, composite or non-reinforced hollow metal doors - EO (exit only device)	6	6
Wood, composite or non-reinforced hollow metal doors - Device x Trim	6	2
Wood, composite or non-reinforced hollow metal doors - EO (exit only device) LBR	3	6
Wood, composite or non-reinforced hollow metal doors - Device x Trim LBR	3	2

Prices subject to change without notice

3' Devices are priced with standard trim and strike, 4' add \$19 list.
Cylinders are not included in the price.

EXIT HARDWARE
Mortise Lock Devices
(Includes 1279 Strike)

	Trim/Control	US28	US32D	313AN	US19* US26D	US26	US32	US10	US4	US3 643E* US15*
* 25-M-EO		1183	1476	1256	1447	1506	1534	1508	1538	1625
* 25-M-NL-OP	(Supplied as NL less trim)	1183	1476	1256	1447	1506	1534	1508	1538	1625
Lever - Dane										
* 25-M-L	510L*	1518	1870	1591	1841	1907	1935	1843	1873	2026
* 25-M-L-BE	510L-BE*	1518	1870	1591	1841	1907	1935	1843	1873	2026
* 25-M-L-NL	510L-NL*	1451	1791	1524	1762	1874	1902	1776	1806	1993
* 25-M-L-DT	510L-DT*	1451	1791	1524	1762	1874	1902	1776	1806	1993
VR Lever										
* 25-M-L	511L*	1577	1926	1650	1897	1965	1993	1902	1932	2084
Thumbpiece										
25-M-TP	512TP	1482	1806	1555	1777	1893	1921	1807	1837	2012
25-M-TP-BE	512TP-BE	1482	1806	1555	1777	1893	1921	1807	1837	2012
* 25-M-NL	512-NL*	1425	1740	1498	1711	1818	1846	1750	1780	1937
Knob										
25-M-K	513K	1436	1771	1509	1742	1852	1880	1761	1791	1971
25-M-K-BE	513K-BE	1436	1771	1509	1742	1852	1880	1761	1791	1971
25-M-K-NL	513K-NL	1436	1771	1509	1742	1852	1880	1761	1791	1971
25-M-K-DT	513K-DT	1436	1771	1509	1742	1852	1880	1761	1791	1971
DT Pull										
25-M-DT	717DT	1367	1740	1482	1711	1770	1798	1692	1722	1889
25-M-DT	512DT	1387	1682	1460	1653	1818	1846	1712	1742	1937

* These devices and 510L, 510L-BE, 510L-NL, 510L-DT, 511L, 512NL trims are available in 643E, US15, and US19 finishes.

REFERENCE NOTES:

25 Series ordered in 313AN will be supplied with trims in SP313.

Handing: The 25-M Device is handed and not field reversible. Specify handing RHR or LHR.

Sex Bolts:

Optional Sex Bolts are recommended for center case and latch mounting when device is used with hollow core wood, composite or light gauge hollow metal doors. See chart below for quantities and list prices.

Application	Device Sex Bolt 425 (Optional)	List Add
Hollow core wood, composite or light gauge hollow metal doors - EO (exit only device)	6	78
Hollow core wood, composite or light gauge hollow metal doors - Device x Trim	2	26

Prices subject to change without notice

EXITS

Pushpads

Architectural /
Heavy Duty

25 Series

**3' Devices are priced with standard trim and strike, 4' add \$19 list.
Cylinders are not included in the price.**

FIRE EXIT HARDWARE

Mortise Lock Devices
(Includes 1279 Strike)

	Trim/Control	US28	US32D	313AN	US19* US26D	US26	US32	US10	US4	US3 643E* US15*
* F-25-M-EO		1377	1670	1450	1641	1700	1728	1702	1732	1819
* F-25-M-NL-OP	(Supplied as NL less trim)	1377	1670	1450	1641	1700	1728	1702	1732	1819
Lever - Dane										
* F-25-M-L	510L*	1712	2064	1785	2035	2101	2129	2037	2067	2220
* F-25-M-L-BE	510L-BE*	1712	2064	1785	2035	2101	2129	2037	2067	2220
* F-25-M-L-NL	510L-NL*	1645	1985	1718	1956	2068	2096	1970	2000	2187
* F-25-M-L-DT	510L-DT*	1645	1985	1718	1956	2068	2096	1970	2000	2187
VR Lever										
* F-25-M-L	511L*	1771	2120	1844	2091	2159	2187	2096	2126	2278
Thumbpiece										
F-25-M-TP	512TP	1676	2000	1749	1971	2087	2115	2001	2031	2206
F-25-M-TP-BE	512TP-BE	1676	2000	1749	1971	2087	2115	2001	2031	2206
* F-25-M-NL	512-NL*	1619	1934	1692	1905	2012	2040	1944	1974	2131
Knob										
F-25-M-K	513K	1630	1965	1703	1936	2046	2074	1955	1985	2165
F-25-M-K-BE	513K-BE	1630	1965	1703	1936	2046	2074	1955	1985	2165
F-25-M-K-NL	513K-NL	1630	1965	1703	1936	2046	2074	1955	1985	2165
F-25-M-K-DT	513K-DT	1630	1965	1703	1936	2046	2074	1955	1985	2165
DT Pull										
F-25-M-DT	717DT	1561	1934	1676	1905	1964	1992	1886	1916	2083
F-25-M-DT	512DT	1581	1876	1654	1847	2012	2040	1906	1936	2131

* These devices and 510L, 510L-BE, 510L-NL, 510L-DT, 511L, 512NL trims are available in 643E, US15, and US19 finishes.

REFERENCE NOTES:

25 Series ordered in 313AN will be supplied with trims in SP313.

Handing: The F-25-M Device is handed and not field reversible. Specify handing RHR or LHR.

Sex Bolts:

Optional Sex Bolts are supplied for center case mounting when device is used with hollow core wood, composite or light gauge hollow metal doors. See chart below for quantities.

Application	Device Sex Bolt 425 (Supplied)
Hollow core wood, composite or light gauge hollow metal doors - EO (exit only device)	6
Hollow core wood, composite or light gauge hollow metal doors - Device x Trim	2

Prices subject to change without notice

3' Devices are priced with standard trim and strikes, 4' add \$19 list and 2' (less label) add \$123 list. Cylinders are not included in the price.

EXIT HARDWARE
Concealed Vertical Rod Devices
 (Includes 4188 Strikes)

	Trim/Control	US28	US32D	313AN	US19* US26D	US26	US32	US10	US4	US3 643E* US15*
* 25-C-EO		1335	1696	1417	1631	1696	1728	1696	1728	1827
Lever - Dane (handed and field reversible)										
* 25-C-L	510L*	1670	2090	1752	2025	2097	2129	2031	2063	2228
* 25-C-L-BE	510L-BE*	1670	2090	1752	2025	2097	2129	2031	2063	2228
* 25-C-L-NL	510L-NL*	1603	2011	1685	1946	2064	2096	1964	1996	2195
* 25-C-L-DT	510L-DT*	1603	2011	1685	1946	2064	2096	1964	1996	2195
VR Lever (handed and field reversible)										
* 25-C-L	511L*	1729	2146	1811	2081	2155	2187	2090	2122	2286
Thumbpiece (non-handed)										
25-C-TP	512TP	1634	2026	1716	1961	2083	2115	1995	2027	2214
25-C-TP-BE	512TP-BE	1634	2026	1716	1961	2083	2115	1995	2027	2214
* 25-C-NL	512-NL*	1577	1960	1659	1895	2008	2040	1938	1970	2139
Knob (non-handed)										
25-C-K	513K	1588	1991	1670	1926	2042	2074	1949	1981	2173
25-C-K-BE	513K-BE	1588	1991	1670	1926	2042	2074	1949	1981	2173
25-C-K-NL	513K-NL	1588	1991	1670	1926	2042	2074	1949	1981	2173
25-C-K-DT	513K-DT	1588	1991	1670	1926	2042	2074	1949	1981	2173
DT Pull (717 handed and field reversible, 512 non-handed)										
25-C-DT	717DT	1519	1960	1643	1895	1960	1992	1880	1912	2091
25-C-DT	512DT	1539	1902	1621	1837	2008	2040	1900	1932	2139
Delta Trim (handed and field reversible)										
* 25-C-C	718C*	1478	1899	1601	1834	1899	1931	1839	1871	2030

* These devices and 510L, 510L-BE, 510L-NL, 510L-DT, 511L, 512NL trims are available in 643E, US15, and US19 finishes.

REFERENCE NOTES:

25 Series ordered in 313AN will be supplied with trims in SP313.

Handing: The 25-C Device is handed and field reversible. Trims are furnished RHR when handing is not specified.

Extension Rods: For door heights over 7'0" up to 8'0", 12" extension rods are furnished at no additional charge at the time of device order. For door heights over 8'0" up to 10'0" extension rods are furnished at prices shown in parts section with the device at the time of order. MUST specify door height on order line.

Sex Bolts:

Optional Sex Bolts are recommended for center case mounting when device is used with light gauge hollow metal doors. See chart below for quantities and list prices.

Application	Sex Bolt 425 (Optional)	List Add
Light gauge hollow metal doors - EO (exit only device)	6	78
Light gauge hollow metal doors - Device x Trim	2	26

Prices subject to change without notice

EXITS

Pushpads

Architectural /
Heavy Duty

25 Series

3' Devices are priced with standard trim and strikes, 4' add \$19 list and 2' (less label) add \$123 list. Cylinders are not included in the price.

FIRE EXIT HARDWARE
Concealed Vertical Rod Devices
 (Includes 4188 and 2130 Strikes)

	Trim/Control	US28	US32D	313AN	US19* US26D	US26	US32	US10	US4	US3 643E* US15*
* F-25-C-EO		1529	1890	1611	1825	1890	1922	1890	1922	2021
Lever - Dane (handed and field reversible)										
* F-25-C-L	510L*	1864	2284	1946	2219	2291	2323	2225	2257	2422
* F-25-C-L-BE	510L-BE*	1864	2284	1946	2219	2291	2323	2225	2257	2422
* F-25-C-L-NL	510L-NL*	1797	2205	1879	2140	2258	2290	2158	2190	2389
* F-25-C-L-DT	510L-DT*	1797	2205	1879	2140	2258	2290	2158	2190	2389
VR Lever (handed and field reversible)										
* F-25-C-L	511L*	1923	2340	2005	2275	2349	2381	2284	2316	2480
Thumbpiece (non-handed)										
F-25-C-TP	512TP	1828	2220	1910	2155	2277	2309	2189	2221	2408
F-25-C-TP-BE	512TP-BE	1828	2220	1910	2155	2277	2309	2189	2221	2408
* F-25-C-NL	512-NL*	1771	2154	1853	2089	2202	2234	2132	2164	2333
Knob (non-handed)										
F-25-C-K	513K	1782	2185	1864	2120	2236	2268	2143	2175	2367
F-25-C-K-BE	513K-BE	1782	2185	1864	2120	2236	2268	2143	2175	2367
F-25-C-K-NL	513K-NL	1782	2185	1864	2120	2236	2268	2143	2175	2367
F-25-C-K-DT	513K-DT	1782	2185	1864	2120	2236	2268	2143	2175	2367
DT Pull (717 handed and field reversible, 512 non-handed)										
F-25-C-DT	717DT	1713	2154	1837	2089	2154	2186	2074	2106	2285
F-25-C-DT	512DT	1733	2096	1815	2031	2202	2234	2094	2126	2333
Delta Trim (handed and field reversible)										
* F-25-C-C	718C*	1672	2093	1795	2028	2093	2125	2033	2065	2224

* These devices and 510L, 510L-BE, 510L-NL, 510L-DT, 511L, 512NL trims are available in 643E, US15, and US19 finishes.

REFERENCE NOTES:

25 Series ordered in 313AN will be supplied with trims in SP313.

Handing: The F-25-C Device is handed and field reversible. Trims are furnished RHR when handing is not specified.

Extension Rods: For door heights over 7'0" up to 8'0", 12" extension rods are furnished at no additional charge at the time of device order. For door heights over 8'0" up to 10'0" extension rods are furnished at prices shown in parts section with the device at the time of order. MUST specify door height on order line.

Sex Bolts:

Sex Bolts are supplied for center case mounting when device is used with non-reinforced hollow metal doors. See chart below for quantities.

Application	Sex Bolt 425 (Supplied)
Non-reinforced hollow metal doors - EO (exit only device)	6
Non-reinforced hollow metal doors - Device x Trim	2

Prices subject to change without notice

EXITS

 Pushpads

 Architectural /
 Heavy Duty

 25 Series

3' Devices are priced with standard trim and strikes, 4' add \$19 list and 2' (less label) add \$123 list. Cylinders are not included in the price.

EXIT HARDWARE

Wood Door Concealed Vertical Rod
(Includes 4188 and 2130 Strikes)

	Trim/Control	US28	US32D	313AN	US19* US26D	US26	US32	US10	US4	US3 643E* US15*
* 25-CWDC-EO		1511	1883	1605	1846	1920	1955	1920	1955	2069
Lever - Dane (handed and field reversible)										
* 25-CWDC-L	510L*	1846	2277	1940	2240	2321	2356	2255	2290	2470
* 25-CWDC-L-BE	510L-BE*	1846	2277	1940	2240	2321	2356	2255	2290	2470
* 25-CWDC-L-NL	510L-NL*	1779	2198	1873	2161	2288	2323	2188	2223	2437
* 25-CWDC-L-DT	510L-DT*	1779	2198	1873	2161	2288	2323	2188	2223	2437
VR Lever (handed and field reversible)										
* 25-CWDC-L	511L*	1905	2333	1999	2296	2379	2414	2314	2349	2528
Thumbpiece (non-handed)										
25-CWDC-TP	512TP	1810	2213	1904	2176	2307	2342	2219	2254	2456
25-CWDC-TP-BE	512TP-BE	1810	2213	1904	2176	2307	2342	2219	2254	2456
* 25-CWDC-NL	512-NL*	1753	2147	1847	2110	2232	2267	2162	2197	2381
Knob (non-handed)										
25-CWDC-K	513K	1764	2178	1858	2141	2266	2301	2173	2208	2415
25-CWDC-K-BE	513K-BE	1764	2178	1858	2141	2266	2301	2173	2208	2415
25-CWDC-K-NL	513K-NL	1764	2178	1858	2141	2266	2301	2173	2208	2415
25-CWDC-K-DT	513K-DT	1764	2178	1858	2141	2266	2301	2173	2208	2415
DT Pull (717 handed and field reversible, 512 non-handed)										
25-CWDC-DT	717DT	1695	2147	1831	2110	2184	2219	2104	2139	2333
25-CWDC-DT	512DT	1715	2089	1809	2052	2232	2267	2124	2159	2381
Delta Trim (handed and field reversible)										
* 25-CWDC-C	718C*	1654	2086	1789	2049	2123	2158	2063	2098	2272

* These devices and 510L, 510L-BE, 510L-NL, 510L-DT, 511L, 512NL trims are available in 643E, US15, and US19 finishes.

REFERENCE NOTES:

25 Series ordered in 313AN will be supplied with trims in SP313.

Handing: The 25-CWDC Device is handed and field reversible. Trims are furnished RHR when handing is not specified.

Extension Rods: For door heights over 7'0" up to 8'0", 12" extension rods are furnished at no additional charge at the time of device order. For door heights over 8'0" up to 10'0" extension rods are furnished at prices shown in parts section with the device at the time of order. MUST specify door height on order line.

Sex Bolts:

Optional Sex Bolts are recommended for center case mounting when device is used with hollow core wood or composite doors. See chart below for quantities and list prices.

Application	Device Sex Bolt 425 (Optional)	List Add
Hollow core wood or composite doors - EO (exit only device)	6	78
Hollow core wood or composite doors - Device x Trim	2	26

Prices subject to change without notice

EXITS

Pushpads

Architectural /
Heavy Duty

25 Series

3' Devices are priced with standard trim and strikes, 4' add \$19 list and 2' (less label) add \$123 list. Cylinders are not included in the price.

FIRE EXIT HARDWARE
Wood Door Concealed Vertical Rod
 (Includes 4188 and 2130 Strikes)

	Trim/Control	US28	US32D	313AN	US19* US26D	US26	US32	US10	US4	US3 643E* US15*
* F-25-CWDC-EO		1705	2077	1799	2040	2114	2149	2114	2149	2263
Lever - Dane										
* F-25-CWDC-L	510L*	2040	2471	2134	2434	2515	2550	2449	2484	2664
* F-25-CWDC-L-BE	510L-BE*	2040	2471	2134	2434	2515	2550	2449	2484	2664
* F-25-CWDC-L-NL	510L-NL*	1973	2392	2067	2355	2482	2517	2382	2417	2631
* F-25-CWDC-L-DT	510L-DT*	1973	2392	2067	2355	2482	2517	2382	2417	2631
VR Lever										
* F-25-CWDC-L	511L*	2099	2527	2193	2490	2573	2608	2508	2543	2722
Thumbpiece										
F-25-CWDC-TP	512TP	2004	2407	2098	2370	2501	2536	2413	2448	2650
F-25-CWDC-TP-BE	512TP-BE	2004	2407	2098	2370	2501	2536	2413	2448	2650
* F-25-CWDC-NL	512-NL*	1947	2341	2041	2304	2426	2461	2356	2391	2575
Knob										
F-25-CWDC-K	513K	1958	2372	2052	2335	2460	2495	2367	2402	2609
F-25-CWDC-K-BE	513K-BE	1958	2372	2052	2335	2460	2495	2367	2402	2609
F-25-CWDC-K-NL	513K-NL	1958	2372	2052	2335	2460	2495	2367	2402	2609
F-25-CWDC-K-DT	513K-DT	1958	2372	2052	2335	2460	2495	2367	2402	2609
DT Pull										
F-25-CWDC-DT	717DT	1889	2341	2025	2304	2378	2413	2298	2333	2527
F-25-CWDC-DT	512DT	1909	2283	2003	2246	2426	2461	2318	2353	2575
Delta Trim (handed and field reversible)										
* F-25-CWDC-C	718C*	1848	2280	1983	2243	2317	2352	2257	2292	2466

* These devices and 510L, 510L-BE, 510L-NL, 510L-DT, 511L, 512NL trims are available in 643E, US15, and US19 finishes.

REFERENCE NOTES:

25 Series ordered in 313AN will be supplied with trims in SP313.

Extension Rods: For door heights over 7'0" up to 8'0", 12" extension rods are furnished at no additional charge at the time of device order. For door heights over 8'0" up to 10'0" extension rods are furnished at prices shown in parts section with the device at the time of order. MUST specify door height on order line.

Handing: The F-25-CWDC Device is handed and field reversible. Trims are furnished RHR when handing is not specified.

Sex Bolts:

Sex Bolts are supplied for center case mounting when device is used with hollow core or composite doors. See chart below for quantities.

Application	Device Sex Bolt 425 (Supplied)
Hollow core or composite doors - EO (Exit only device)	6
Hollow core or composite doors - Device x Trim	2

Prices subject to change without notice

EXITS

 Pushpads

 Architectural /
 Heavy Duty

 25 Series

Cylinder Dogging

Not for use with Fire Exit Hardware

Prefix		List Add
CD	Cylinder Dogging available on all 25 series Panic Devices.	64
LD	Less Dogging available on all 25 series Panic Devices.	N/C

Less Bottom Rod

Suffix		List Add
LBR	Less Bottom Rod available with UL Fire Label at no additional charge on F-25-V and F-25-C devices. Fire rated LBR devices must be ordered in pairs of Vertical Rod Devices. For Fire Rated Devices specify one device LBR and second device LBR-AFL. Second device provided with a Fire Pin.	N/C

Accessible Device

Suffix		List Add
AX	Accessible device compliant with the California Building Code (Section 11B-309.4) requirement for 5 lb. maximum operational force. Available on 3' and 4' AX-25-R, AX-F-25-R, AX-25-V, AX-F-25-V, AX-25-V-LBR, AX-F-25-V-LBR/LBR-AFL, AX-25-C, AX-F-25-C, AX-25-C-LBR, AX-F-25-C-LBR/LBR-AFL. Trim functions available EO, DT, NL, L, L-BE, L-NL, L-DT, NL-OP, and C. Other device and trim options compatible with AX25 devices: EL, RX, DM, LM, CON, EA, FSA/FSE, CD, LD.	25

Hurricane Device

Meets all FBC Hurricane Listings. Consult factory for specific Applications.

Prefix		List Add
HH	Hurricane option available on 25-R*, F-25-R, 25-V, F-25-V. Prefix device "HH". Note: HH-25-V-EO and HH-F-25-V-EO, will be supplied with twelve sexbolts. Add \$138.00 LIST. Other device functions will be supplied with eight sexbolts. Add \$86.00 LIST. *HH-25-R requires 299F Strike; Strike 299F will be provided/charged in place of Strike 299. Standard Devices 25-C, F-25-C, 25-M, F-25-M meet all FBC Hurricane listing requirements. Consult factory for specific applications. Prefix "HH" is not required on these devices.	29 N/C

Electric Latch Retraction

Prefix		List Add
EL	Electric Latch Retraction - Available on all 25 series Panic and Fire Devices Electric Latch cannot be used in combination with CD, EA or KOR options.	789
MEL	Motorized Electric Latch Retraction - Available on all 25 series Panic and Fire Devices except for 25-M and F-25-M. Motorized Electric Latch Retraction cannot be used in combination with AX, HD, CD, EA, or KOR options	725

REFERENCE NOTE:

PS914 is required for EL operation. See Power Supply section for more detail.

Device Monitoring

Prefix		List Add
RX	Touch Bar Request to Exit Switch available on all 25 series devices. RX dogging monitoring switch can be used in combination with a second DM or LM switch.	207
DM	Latch Bolt Monitor Switch (provide signal when latch bolt is fully extended) DM device monitoring switch can be used in combination with a RX switch.	216
LM	Latch Bolt Monitoring Switch (provide signal when latch bolt is fully retracted) LM device monitoring switch can be used in combination with a RX switch.	207
KOR	Key Override - Override device monitoring on a door by use of a keyed cylinder. KOR must be used in combination with a device monitoring switch.	58

Allegion Connect

Suffix		List Add
CON	Cross-category solution using common interconnect components for electrified options. Available with MEL, MEL-RX, EL, RX, EA, EL-RX, options.	N/C

NOTE: For wire harness options refer to Power Supply and Electronic Component Section.

Prices subject to change without notice

Exit Alarm

Prefix		List Add
EA	Exit Alarm available on 25R, 25V, 25C, 25C-WDC, and 25M Panic and Fire Devices. Price includes switch - "RX" is standard, "LM" is optional at no charge. To order "Less Switch", Deduct \$207 list. For vertical rod tampering monitoring on Surface Vertical Devices, specify device with DM (Latch Bolt Monitor Switch). Add \$216 list. 9 volt battery included.	513

Electric Lock or Unlock of Trims

Prefix		List Add
FSA	Electric Lock/Unlock Trim, Fail Safe (unlocks when power is interrupted).	303
FSE	Electric Lock/Unlock Trim, Fail Secure (locks when power is interrupted).	303

REFERENCE NOTES:

FSA/FSE available on all 25 series devices.

Available with TP, K, or L functions only.

Can be used in combination with EL, EA, or any device monitoring switch.

Power supply PS902 is the recommended power supply for use with FSA/FSE trim. If paired with an EL device, PS914 is required.

See the power supply section for more information.

Schlage Electronic Exit Trim

AD series Electronic Exit Trim is available on Series 25 for rim. AD-300/400 network trim is available exclusively with Series 25 devices when mounted with LC-RX switch must be specified with exit device.

Four communication options:

AD-200 993 Offline, access rights stored on lock.

AD-250 993 Offline, access rights on stored magnetic stripe credential.

AD-300 993 Networked Hardware Locks.

AD-400 993 Networked Wireless Locks

For complete pricing information refer to Schlage Electronic Security Price Book

Prices subject to change without notice

Cylinders are not included in price.

Lever Trim

Model No.	Lever Style	Device Type	Description	SP28 US4	SP313 US10	US32D US19* US26D	US3 643E* US15* US26 US32
510L	Dane	R,V,M,C	Lever, Key Locks or Unlocks	335		394	401
510L-NL	Dane	R,V,M,C	Lever, Night Latch	268		315	368
510L-DT	Dane	R,V,M,C	Lever, Dummy Trim	268		315	368
510L-BE	Dane	R,V,M,C	Lever, Blank Escutcheon	335		394	401

* 643E, US15, US19 are available on the lever trim type listed above except Sutro.

510 series trim are handed and field reversible. Trims are furnished RHR when handing is not specified.

The Dane Lever is furnished standard. Optional lever designs Broadway, Boardwalk, Danish, Latitude, Longitude, Sutro, Quantum and Avalon are available at no additional charge.

Electric Lock or Unlock option is available on 510L function only.

Suffix FSA for Fail Safe operation, or FSE for Fail Secure operation, add \$303 List.

Knurling on Dane lever, add \$65 List. Contact factory for lead times.

Vandal Resistant Trim

Model No.	Lever Style	Device Type	Description	SP28 US4	SP313 US10	US32D US19* US26D	US3 643E* US15* US26 US32
511L*	Dane	R,V,M,C	Lever, Key Locks or Unlocks		394	450	459

* 643E, US15, US19 are available on the lever trim type listed above except Sutro.

511 series trim are handed and field reversible. Trims are furnished RHR when handing is not specified.

The Dane Lever is furnished standard. Optional lever designs Broadway, Boardwalk, Danish, Latitude, Longitude, Sutro, Quantum and Avalon are available at no additional charge.

Electric Lock or Unlock option is available on 511L.

Suffix FSA for Fail Safe operation, or FSE for Fail Secure operation, add \$303 List.

Night Latch and Thumbpiece Trim

Model No.	Device Type	Description	SP28 US4	SP313 US10	US32D US19* US26D	US3 643E* US15* US26 US32
512NL*	R,V,M,C	Night Latch		242	264	312
512TP	R,V,M,C	Thumbpiece, Key Locks or Unlocks		299	330	387
512TP-BE	R,V,M,C	Thumbpiece, Blank Escutcheon		299	330	387

* Available in 643E, US15, US19 on all Falcon Exit levers except for Sutro.

Electric Lock or Unlock option is available on 512TP function only.

Suffix FSA for Fail Safe operation, or FSE for Fail Secure operation, add \$303 List.

Knob Trim

Model No.	Device Type	Description	SP28 US4	SP313 US10	US32D US26D	US3 US26 US32
513K	R,V,M,C	Knob, Key Locks or Unlocks		253	295	346
513K-NL	R,V,M,C	Knob, Night Latch		253	295	346
513K-DT	R,V,M,C	Knob, Dummy Trim		253	295	346
513K-BE	R,V,M,C	Knob, Blank Escutcheon		253	295	346

Electric Lock or Unlock option is available on 513K function only.

Suffix FSA for Fail Safe operation, or FSE for Fail Secure operation, add \$303 List.

Pull Trim

Model No.	Device Type	Description	SP28 US4	SP313 US10	US32D US26D	US3 US26 US32
512DT	R,V,M,C	Dummy Trim		204	206	312

Delta Trim

Model No.	Device Type	Description	SP28 US10	US4 SP313	US19* US26D US3, 643E* US15 US26
717DT	R,V,M,C	Dummy Trim	184		226
718C*	C	Night Latch Less Pull	143		184

* Available in 643E and US19.

717 and 718 series trim are handed and field reversible. Trims are furnished RHR when handing is not specified.

Prices subject to change without notice

EXITS

Pushpads

Architectural / Heavy Duty

25 Series

Rim Strikes

Model	Description	Unfinished	US19	US26D	US32D	US4	US10	US10B	SP313	US3	US26	US32
264	24/25-R Panic Devices - Opt.	-	104	121	-	-	-	-	-	-	-	-
299	24/25-R Panic Devices - Std.	-	63	75	-	75	-	-	75	98	98	-
299F	24/25-R Fire Devices - Std.	-	79	-	105	123	123	123	-	141	-	141
499F	25-R Fire Devices - Opt.	-	187	-	196	-	-	-	-	-	-	-
1439	24/25-R Panic Devices - Opt.	-	151	-	-	-	-	-	-	-	-	-
1606	24/25-R Panic Devices - Opt.	75	-	-	-	-	-	-	-	-	-	-
1609	25-R Panic Devices - Opt.	-	104	116	-	116	116	116	-	126	126	-

Must be used with a Coordinator. Not a UL fire exit hardware listed application.

Vertical Rod Top Strikes

Model	Description	Unfinished
3788*	19/24/25/XX-V Panic and Fire Devices	54
4188	24/25/XX-C,CWDC Panic and Fire Devices	54

* For Flush Transom applications, Specify part number 4215-019 Angle Bracket, **add \$55 List.**

Vertical Rod Bottom Strikes

Model	Description	Unfinished
2130	19-V/24/25/XX-V,C Panic or Fire - Std.	54
4155	19-V/24/25/XX-V,C Panic	54

Mortise Lock Strikes

Model	Description	Unfinished
1279	25/XX-M Panic and Fire Devices - Std.	54
F1280	25-M Fire Devices - Opt.	54

REFERENCE NOTES:

Refer to device catalogs for specific door application strike requirements.

Prices subject to change without notice

Cover Plates & Filler Plates

Model No.	Description	Unfinished
3722	Strike cover - ASA 4-7/8"	12
3723	Mortise front - 8" x 1-1/4"	12
3721	Lock front - 2-1/4" x 1-1/8"	12

Cylinders

Model No.	Description	US26D	US3, US4, US10B US10, US32, US32D
985	1-1/8" Mortise Cylinder with Straight Cam (#24)	63	65
986	1-1/4" Mortise Cylinder with Straight Cam (#24)	63	65
951	Rim Cylinder	63	65
C987	1-3/8" Interchangeable Core Mortise Cylinder Housing	39	41
C953	Interchangeable Core Rim Cylinder Housing	41	43

REFERENCE NOTES:

Interchangeable Core Cylinder Housing uses #5 cam.
 Custom Keying not available. Falcon G - default keyway.
 Cylinder type determined by trim function.
 IC Cylinder Housings sold LESS SFIC
 US11 finish = 643e

Cylinder Dogging Kits

Model No.	Description	Part No.	US3, US4, US10, US26, US26D, US28, US32D, 313AN
25CDK-3	25 Series - 3" device	650159	64
25CDK-4	25 Series - 4" device	650160	64

REFERENCE NOTES:

Cylinder Sold Separately.
 When a device is ordered "with CD with Cylinder" a 1-1/4" mortise cylinder (986 Falcon G x straight cam KD) is supplied for CD.
 CD Kits can also pair with a 1-1/8" mortise cylinder (985 Falcon G x straight cam KD). Must be ordered separately.

EXITS

Pushpads

Architectural / Heavy Duty

25 Series

Prices subject to change without notice

Dummy Touch Bars**3' Device pricing below, 4' add \$19 list.**

Model No.	Description	SP28 SP313	US4 US10	US32D	US3, US32, US15, US19, 643e, US26 US26D
250DT	24/25 Series Dummy Touch Bar	341	378	430	490
Optional Features:					
Prefix					List Add
RX	Touchbar Request to Exit Switch - For D250 only				207
KOR	Key Override device monitoring on a door by use of a keyed cylinder - For D250 only				58

250DT Parts

Part No.	Description	SP28,SP313, US32D	US4, US10	US26, US32	US26D	US3
600291	250 Front Cover Plate Pkg	24	34	94	30	48

Extension Rods

Part No.	Description					All Finishes
650006	24/25/19/XX-V Extension Rod 12" (ER12-V)					22
650007	24/25/19/XX-V Extension Rod 24" (ER24-V)					38
650008	24/25/19/XX-V Extension Rod 36" (ER36-V)					62
650017	24/25/XX-C, CWDC Extension Rod 12" (ER12-C)					22
650018	24/25/XX-C, CWDC Extension Rod 24" (ER24-C)					38
650019	24/25/XX-C, CWDC Extension Rod 36" (ER36-C)					62

REFERENCE NOTES:

- 1) Surface Vertical and Concealed Vertical Rod Devices for door heights over 7'0" up to 8'0", 12" extension rods are furnished at no additional charge at the time of device order. Must specify door height on order line.
- 2) For door heights over 8'0" up to 10'0" extension rods are furnished at prices shown above with the device at the time of order. MUST specify door height on order line.
- 3) Replacement extension rods can be ordered individually by the part numbers listed above.

Electric and Alarm Kits

Model No.	Description	Part #	Part Number w/ Allegion Connect (-CON)	US3, US4, US10, US19, US26 US26D, US28, US32D, 313AN
25-EAK-3	25 Series Exit Alarm Kit 3'	650167	650706	513
25-EAK-4	25 Series Exit Alarm Kit 4'	650168	650707	513

Model No.	Description	Part #	US3, US4, US10, US19, US26, US26D, US32D, SP28, SP313
ELK-3	24/25 Electric Latch Retraction Kit 3'	650147	789
ELK-4	24/25 Electric Latch Retraction Kit 4'	650148	789

Model No.	Description	Part #	Part Number w/ Allegion Connect (-CON)	US3, US4, US10, US26, US26D, US28, US32D, SP313
25-MELK-3	25 Motorized Electric Latch Retraction Kit 3'	47266630	47270546	747
25-MELK-4	25 Motorized Electric Latch Retraction Kit 4'	47266631	47270547	747

NOTE: MEL kit cannot be used to convert an EL device.

Model No.	Description	Part #	Unfinished
24/25 RX KIT	24/25 Series RX Switch Kit	650359	255

Prices subject to change without notice

Shim Kits

Model No.	Description	Part #	Unfinished	US19
SK25-R/M	25 Rim or 25 Mortise Shim Kit - 1/4"	650107	–	68
SK25-V-8	25 Surface Vertical Shim Kit - 1/4" - over 7' up to 8' doors	650108	–	68
SK25-V-10	25 Surface Vertical Shim Kit - 1/4" - over 8' up to 10' doors	650266	–	68
579	Retrofit Shim Kit - HH-25-R, HH-F25-R (Required)	650106	29	–

REFERENCE NOTES:

All shim kits for use on door thicknesses up to 2". Consult factory for door thickness over 2"

25 SLM Blocking

For use with devices on doors with special high density blocking material. Blocking material must be UL or Warnock Hersey approved.

Model No.		Part #	
F-25-R/C	F-25 Rim/Concealed Vertical SLM Blocking Kit	600335	19
F-25-V	F-25 Surface Vertical SLM Blocking Kit	600336	21

8500 Mortise Lock

Model No.	Description	US4 US10	US19	US10B	US3, US26 US26D
8500NL	Night Latch (Universal for all 25 Device Mortise Lock Trim Options)	331	413	413	413

REFERENCE NOTES:

US32D and US32 finish device supplied with US26D and US26 mortise lock.
 Mortise Device is handed. For replacement of Mortise Lock only, handing is field reversible. Lock is furnished RHR when handing is not specified.
 See Trim section for FSA/FSE options compatible with 8500NL, ordered as Trim option.

8500 Mortise Locks - Parts

Part No.	Description	Unfinished
3518	Dead Lock Arm Spring	7.50
3530	Auxiliary Bolt Actuator	37
661473	Auxiliary Bolt Spring	7.50
661472	Deadlocking Arm	37
3542	Cylinder Operating Arm	37

Prices subject to change without notice

(F) 25 Exit Devices

Part No.	Description	Unfinished	US28	US32D	313AN	US26D	US10, US26 US32	US4	US3	US19
650239	25-R Center Case Kit	180	-	-	-	-	-	-	-	-
650240	F-25-R Center Case Kit	194	-	-	-	-	-	-	-	-
650242	(F) 25-V Center Case Kit	152	-	-	-	-	-	-	-	-
650244	(F) 25-C, CWDC Center Case Kit	139	-	-	-	-	-	-	-	-
650246	(F) 25-M Center Case Kit RHR	152	-	-	-	-	-	-	-	-
650398	(F) 25-M Center Case Kit LHR	152	-	-	-	-	-	-	-	-
650255	(F) 25-R Center Case Cover Kit	-	127	160	136	157	163	167	173	157
650257	(F) 25-V Center Case Cover Kit	-	127	160	136	157	163	167	173	157
650259	(F) 25-C, M Center Case Cover Kit	-	127	160	136	157	163	167	173	157
600307	25 Series Center Case Cover Mtg Pkg	-	-	-	12	-	12	12	12	-
650261	25-V/M/C Center Case Housing Kit	20	-	-	-	-	-	-	-	-
600308	25-V/M/C Center Case Housing Screw Pkg	10.50	-	-	-	-	-	-	-	-
650262	25-V Center Case Finger Kit	37	-	-	-	-	-	-	-	-
650263	25-C Center Case Finger Kit	28	-	-	-	-	-	-	-	-
600309	25-V/C Center Case Finger Screw Pkg	10.50	-	-	-	-	-	-	-	-
650378	25-M Center Case Slide Bar Assy RHR	77	-	-	-	-	-	-	-	-
650377	25-M Center Case Slide Bar Assy LHR	77	-	-	-	-	-	-	-	-
661412	25 Series Channel 3' Door	-	81	101	87	99	103	104	110	-
661413	25 Series Channel 4' Door	-	104	133	108	126	134	136	140	-
650227	F-25 Series Channel Cover 3'	-	39	39	39	39	39	39	39	-
650228	F-25 series Channel Cover 4'	-	42	42	42	42	42	42	42	-
650119	25 Series CD Channel Cover 3'	-	49	49	49	49	49	49	49	-
650120	25 Series CD Channel Cover 4'	-	57	57	57	57	57	57	57	-
650135	25 Series EA Channel Cover 3'	-	75	75	75	75	75	75	75	-
650136	25 Series EA Channel Cover 4'	-	85	85	85	85	85	85	85	-
650143	25 Series KOR Channel Cover 3'	-	63	63	63	63	63	63	63	-
650144	25 Series KOR Channel Cover 4'	-	67	67	67	67	67	67	67	-
650191	25 Series Hex Dogging Kit 3'	-	66	66	66	66	66	66	66	-
650192	25 Series Hex Dogging Kit 4'	-	70	70	70	70	70	70	70	-
610480	25 Dogging Housing	19	-	-	-	-	-	-	-	-
060109	25 Hex Dogging Key 7/32" (Pkg of 10)	14	-	-	-	-	-	-	-	-
650294	25 Channel End Cap Kit 1-3/4" Door	-	32	-	36	38	40	40	42	-
650348	25 Channel End Cap Kit 2-1/4" Door	-	32	39	36	38	40	40	42	-
600305	25 Series Channel Screw (Pkg of 10)	16	-	-	-	-	-	-	-	-
600310	25 Series Push Bar End Cap Kit	-	36	41	37	40	41	42	46	-
600319	25 Series Push Bar Guide Pkg	12	-	-	-	-	-	-	-	-
650345	(F) 25-R/M Mounting Pkg 1-3/4" Door	22	-	-	-	-	-	-	-	-
650293	(F) 25-R/M Mounting Pkg 2-1/4" Door	22	-	-	-	-	-	-	-	-
650315	25-V Mounting Pkg 1-3/4" - 2-1/4" Door	42	-	-	-	-	-	-	-	-
650316	F-25-V Mounting Pkg 1-3/4" Door	42	-	-	-	-	-	-	-	-
650295	F-25-V Mounting Pkg 2-1/4" Door	42	-	-	-	-	-	-	-	-
650318	25-C Mounting Pkg 1-3/4" Door	31	-	-	-	-	-	-	-	-
650300	25-C Mounting Pkg 2-1/4" Door	31	-	-	-	-	-	-	-	-
650317	F-25-C Mounting Pkg 1-3/4" Door	31	-	-	-	-	-	-	-	-
650346	F-25-C Mounting Pkg 2-1/4" Door	31	-	-	-	-	-	-	-	-
650299	(F) 25-CWDC Mounting Pkg 1-3/4" Door	-	-	63	63	-	63	63	63	-
650296	(F) 25-CWDC Mounting Pkg 2-1/4" Door	-	-	63	63	-	63	63	63	-
060111	Cotter Key 1/8" x 1" (Pkg of 10)	14	-	-	-	-	-	-	-	-
600320	EL Solenoid Pkg	186	-	-	-	-	-	-	-	-
600321	EL Plunger Solenoid Pkg	70	-	-	-	-	-	-	-	-
650359	24/25 Series RX Switch Kit	255	-	-	-	-	-	-	-	-
050534	EL Potted Circuit Breaker	314	-	-	-	-	-	-	-	-
650265	Exit Alarm Label - Service	10.50	-	-	-	-	-	-	-	-
106182	EAK CON Adapter Harness	13	-	-	-	-	-	-	-	-
650713	LM SWITCH REPLACEMENT KIT	213	-	-	-	-	-	-	-	-
650712	LM CON SWITCH REPLACEMENT KIT	224	-	-	-	-	-	-	-	-
650715	DM SWITCH REPLACEMENT KIT	224	-	-	-	-	-	-	-	-
650714	DM CON SWITCH REPLACEMENT KIT	234	-	-	-	-	-	-	-	-
114320	MEL motor cable	12	-	-	-	-	-	-	-	-
47269206	MEL motor cable with 6' cable	60	-	-	-	-	-	-	-	-
106198	MEL/EL CON Adapter Harness	12	-	-	-	-	-	-	-	-
040069	MEL Motor Cable with MEL CON Adapter Harness	60	-	-	-	-	-	-	-	-
47270298	25 Series 3' MEL channel cover plate	-	100	100	100	100	100	100	100	100
47270299	25 Series 4' MEL channel cover plate	-	105	105	105	105	105	105	105	105
47266852	MEL motor mounting screws, pkg. of 2	20	-	-	-	-	-	-	-	-

Prices subject to change without notice

(F) 25 Exit Devices - Latches and Rods

Part No.	Description	Unfinished	SP28	SP313 US32D	US19	US26D	US32 US26	US3 US4 US10
650389	25-V Top Latch Case	121	-	-	-	-	-	-
650375	F-25-V Top Latch Case	125	-	-	-	-	-	-
650202	25-V Latch Case Cover Kit	-	70	70	91	91	91	91
650336	25-V Latch Case Cover Mounting Pkg	-	4.50	4.50	-	4.50	4.50	4.50
650311	25-V Rod Guide Kit	-	54	57	91	-	68	50
650387	25-V Bottom Bolt Guide (Latch cover sold separately)	10.50	-	-	-	-	-	-
3777	25-V Top Rod Kit	-	91	91	91	-	91	91
610055	25-V Bottom Rod Kit	-	123	123	-	-	123	123
5494	F-25-V Auxiliary Fire Pin Kit (LBR application only)	156	-	-	-	-	-	-
603	25-C, C-WDC Top Latch Case	208	-	-	-	-	-	-
F603	F-25-C Top Latch Case	288	-	-	-	-	-	-
WF603	F-25-CWDC Top Latch Case	288	-	-	-	-	-	-
650339	(F) 25-C, CWDC Top Latch Release Kit	-	-	40	-	40	36	36
4567	25-C Bottom Bolt Guide	49	-	-	-	-	-	-
4835	25-CWDC Bottom Bolt Guide	45	-	-	-	-	-	-
4694	F-25-CWDC Latch Bracket	10.50	-	-	-	-	-	-
650376	(F) 25-C, CWDC Center Slide Assy	289	-	-	-	-	-	-
4832	(F) 25-CWDC Center Slide Reinforcement Plate	37	-	-	-	-	-	-
4833	24-CWDC Reinforcement Plate	-	33	33	-	-	44	44
4834	24-CWDC Reinforcement Plate w/ Access Hole	-	33	33	-	-	44	44
610061	(F) 25-C, CWDC Top Rod Kit	91	-	-	-	-	-	-
610057	(F) 25-C, CWDC Bottom Rod Kit	123	-	-	-	-	-	-
5494	F-25-C Auxiliary Fire Pin Kit (LBR application only)	156	-	-	-	-	-	-
660002	#10 x 1 1/4" FPHSMS Clear Zinc	2.50	-	-	-	-	-	-

EXITS

Pushpads

Architectural / Heavy Duty

25 Series

Prices subject to change without notice

25 Series Trim

Part No.	Description	Unfinished	SP28	SP313	US26D US32D	US10 US26	US4 US32	US3
600272	510 Backplate Assembly	29	-	-	-	-	-	-
600273	510/512/513 Slider	76	-	-	-	-	-	-
600282	511L Slider Assy	179	-	-	-	-	-	-
090041	Hook Spring Pkg	12	-	-	-	-	-	-
600274	510/511L Spring (Pkg of 2)	22	-	-	-	-	-	-
600284	512TP/513K Spring (Pkg of 2)	12	-	-	-	-	-	-
600275	510L/512TP/513K Locking Hook	29	-	-	-	-	-	-
600281	510L-NL/512NL/513K-NL Cam	31	-	-	-	-	-	-
600276	L/K Spindle Cam Kit	31	-	-	-	-	-	-
600280	L-NL/L-DT Spindle Cam Kit	33	-	-	-	-	-	-
600277	510/511/513 Spindle Cam Retaining Ring (Pkg of 10)	10.50	-	-	-	-	-	-
650267	510L/513K Shear Pin (Pkg of 10)	25	-	-	-	-	-	-
600283	511L Shear Pin (Pkg of 5)	10.50	-	-	-	-	-	-
600278	500 Series Cylinder Lock Nut	12	-	-	-	-	-	-
600279	500 Series Cylinder Nut Tool	21	-	-	-	-	-	-
600296	500 Series Security Collar	-	25	25	31	31	31	32
600289	Lower Pull Bracket Kit 1.3/4"	-	16	13	16	16	16	21
600290	Lower Pull Bracket Kit 2.1/4"	-	16	13	16	16	16	21
600285	512TP Thumbpiece	-	36	37	42	45	45	49
600286	512TP Thumbpiece Pivot Pin	9.50	-	-	-	-	-	-
600287	512TP Thumbpiece Bracket	13	-	-	-	-	-	-
600297	512TP Pull	-	141	151	178	180	185	194
600298	513K Knob Assy	-	140	149	174	179	183	193
600299	510L Dane Lever Kit	-	104	109	133	135	137	142
600300	510L Sutro Lever Kit	-	104	109	133	135	137	142
600301	510L Quantum Lever Kit	-	104	109	133	135	137	142
600337	510 Avalon Lever Kit	-	167	169	169	231	169	231
600288	Pull Grip Screw (Pkg of 10)	4.50	-	-	-	-	-	-
650231	512 Mounting Pkg 1-3/4"	-	-	5.50	5.50	-	9.50	-
650232	512 Mounting Pkg 2-1/4"	-	-	5.50	5.50	-	9.50	-
650235	510/511/512/513 Screw Pkg 1-3/4"	4.50	-	-	-	-	-	-
650237	510/511/512/513 Screw Pkg 2-1/4"	4.50	-	-	-	-	-	-
600293	FSA/FSE Solenoid Kit	149	-	-	-	-	-	-
600294	FSA/FSE Solenoid Plunger	22	-	-	-	-	-	-
600295	FSA/FSE Pivot Pin	4.50	-	-	-	-	-	-
650278	FSA/FSE Solenoid Spring	6.50	-	-	-	-	-	-

EXITS

Pushpads

Architectural /
Heavy Duty

25 Series

Prices subject to change without notice

Part No.	Description	List Price
650277	24/25 Maintenance Kit (See below for what is supplied in Kit)	1,861.00

Refill Parts/Packages

Part No.	Description	Refill	
		List Price Each	Kit Contents Qty
299 Strike	299 Strike US19	63.00	5
325 SNB	325 Sex Bolt, 1/4-20 US32D (Pkg of 2)	26.00	10
425 SNB	425 Sex Bolt, 10-24 US32D (Pkg of 2)	26.00	10
4208	CD/EA/KOR Cylinder Retaining Bracket	7.50	30
060126	512/718 Lever Washer (Pkg of 10)	6.50	1
3894-000	Cylinder Nut BRS	4.50	10
650311	Rod Guide Kit US32D	57.00	6
650311	Rod Guide Kit SP28	54.00	2
650311	Rod Guide Kit SP313	57.00	2
060109	Hex Dogging Key 7/32" (Pkg of 10)	14.00	1
650231	512 Mtg Pkg US4 1-3/4" Dr	9.50	2
650231	512 Mtg Pkg US10B 1-3/4" Dr	5.50	2
650231	512 Mtg Pkg US26D 1-3/4" Dr	5.50	6
650294	24/25 End Cap Kit US32D 1-3/4" Dr.	39.00	6
650294	24/25 End Cap Kit US26D 1-3/4" Dr.	38.00	2
650294	24/25 End Cap Kit SP28 1-3/4" Dr.	32.00	1
650294	24/25 End Cap Kit SP313 1-3/4" Dr.	36.00	1
600283	511 Trim Shear Pin (Pkg of 5)	10.50	6
640001	24 Device Plastic Mounting Template	4.50	2
640002	25 Device Plastic Mounting Template	4.50	2
650267	510/513 Trim Shear Pin (Pkg of 10)	25.00	3
060112	8500 Lock Housing Screws (Pkg of 10)	6.50	2
060113	24/25-C Latch Screw (Pkg of 10)	6.50	5
060114	Rod Guide Screws (Pkg of 10)	6.50	3
060119	510/511/512/513 Back Plate Screws (Pkg of 10)	6.50	5
600309	25 Lift Finger Screws (Pkg of 2)	10.50	10
600173	8500 Lock Face Screws US3/US4/US10	4.50	10
600173	8500 Lock Face Screws US26D/US32D	4.50	10
600173	8500 Lock Face Screws US10B	4.50	10
060120	8500 Lock Backplate Screws (Pkg of 10)	6.50	5
060121	24/25-V Latch Cover Screws US26D/US32D/US28 (Pkg of 10)	6.50	5
060121	24/25-V Latch Cover Screws US3/US4/US10 (Pkg of 10)	6.50	5
060121	24/25-V Latch Cover Screws US10B (Pkg of 10)	6.50	5
060123	Electric Option Dogging Screw (Pkg of 10)	6.50	5
060122	K-NL/L-NL Spindle Cam Screw (Pkg of 10)	12.00	2
060124	K/L/TL Trim Lock Nut (Pkg of 10)	6.50	1
600305	24/25 Channel Screw (Pkg of 10)	16.00	3
060111	Cotter Key 1/8" x 1" (Pkg of 10)	14.00	5
600279	Cylinder Nut Tool (Pkg of 5)	21.00	2
060125	FSE/FSE Trim Pivot Pin (Pkg of 10)	6.50	2
600319	24/25 Pushbar Guide (Pkg of 2)	12.00	10
600278	25 Trim Cylinder Locknut	12.00	10
060117	25 Center Case Mtg Screws (Pkg of 10)	6.50	5
060118	24 Center Case Housing Screws (Pkg of 10)	6.50	5
060116	25-R/M Device Mounting Screws (Pkg of 10)	7.50	5
060115	FSA/FSE Trim Screws (Pkg of 10)	6.50	5
600307	24/25 Center Case Cover Screws US3 (Pkg of 4)	12.00	12
600307	24/25 Center Case Cover Screws US4 (Pkg of 4)	12.00	12
600307	24/25 Center Case Cover Screws US10 (Pkg of 4)	12.00	12
600307	24/25 Center Case Cover Screws US10B (Pkg of 4)	12.00	12
600307	24/25 Center Case Cover Screws US26D/US32D/SP28 (Pkg of 4)	12.00	12
600277	510/513 Spindle Cam Ret. Ring (Pkg of 10)	10.50	2
600308	25 Housing Plate Screws (Pkg of 2)	10.50	2
970321	299 Strike Shim	13.00	20

Prices subject to change without notice

EXITS

Pushpads

Architectural / Heavy Duty

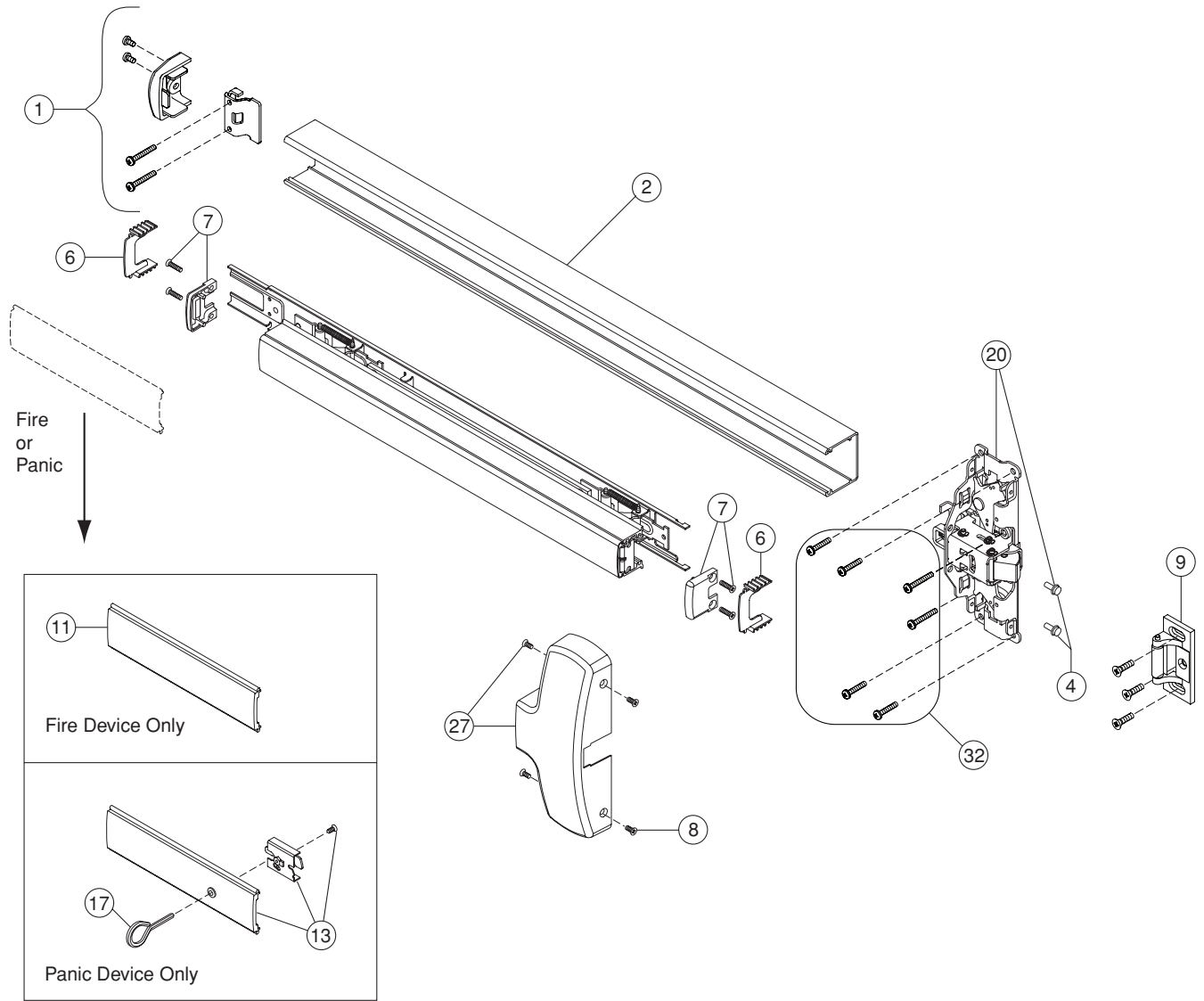
25 Series

Prices subject to change without notice

(F)25 rim exit device

Panic and fire

EXITS
Pushpads
Architectural / Heavy Duty
25 Series



Prices subject to change without notice

No.	Qty.	Part no.	Description	Package contents	Notes
1	1	650294	25 Channel Endcap Kit 1¾" Door	1- Channel Endcap	A
				2- #10-24 x ¾" PPHMS	
				1- Channel Endcap Bracket	
				2- #10 x 1¼" PPHSMS	
				2- #10-24 x 1" PPHMS	
	1	650348	25 Channel Endcap Kit 2¼" Door	1- Channel Endcap	A
				2- #10-24 x ¾" PPHMS	
				1- Channel Endcap Bracket	
				2- #10 x 1¼" PPHSMS	
				2- #10-24 x 1" PPHMS	
2	1	661412	25 Channel 3'		A
		661413	25 Channel 4		
4	1	600305	25 Channel Screw package of 10	#10-16 x ½" Hex Washer Head Taptite	
6	1	600319	25 Pushbar Guide Pkg	2- Pushbar Guide	
7	1	600310	25 Pushbar Endcap Kit	2- Pushbar Endcap	A
				4- #8-18 x ¾" FPHSMS	
8	1	600307	25 Center Case Cover Screw Pkg	4- #8-18 x ¾" UFPHMS	A
9	1	299	299 Strike		C
11	1	650227	F-25 Channel Cover Plate 3'		A, B
		650228	F-25 Channel Cover Plate 4'		
13	1	650191	25 Hex Dogging Kit 3'	1- Panic Channel Cover (3' or 4") 1- Dogging Subassembly	A, B
		650192	25 Hex Dogging Kit 4'	1- #8-32 x ¾" UFPHMS	
17	1	060109	Hex Dogging Key 7/32" package of 10		
20	1	650239	25-R Center Case Kit, Panic	1- Center Case	
		650240	F-25-R Center Case Kit, Fire	2- #10-16 x ½" Hex Washer Head Taptite	
27	1	650255	(F)25-R Center Case Cover Kit	1- Head Cover	A
				4- #8-18 x ¾" UFPHMS	
32	1	650345	(F)25-R/M Mounting Pkg 1¾" Door	6- #10 x 1¼" PPHSMS	*
				4- #10-24 x ¾" PPHMS	
				2- #10-24 x 1" PPHMS	
				1- Tailpiece Guide	
		650293	(F)25-R/M Mounting Pkg 2¼" Door	6- #10 x 1¼" PPHSMS	*
		4- #10-24 x 1¼" PPHMS			
		2- #10-24 x 1½" PPHMS			
		1- Tailpiece Guide	*		

* Item(s) not shown.

A Specify by finish: US3, US4, US10, US26, US26D, US32, US32D, US28, 313AN

B Specify by finish: US3, US4, US10, US19, US26, US26D, SP313

Prices subject to change without notice

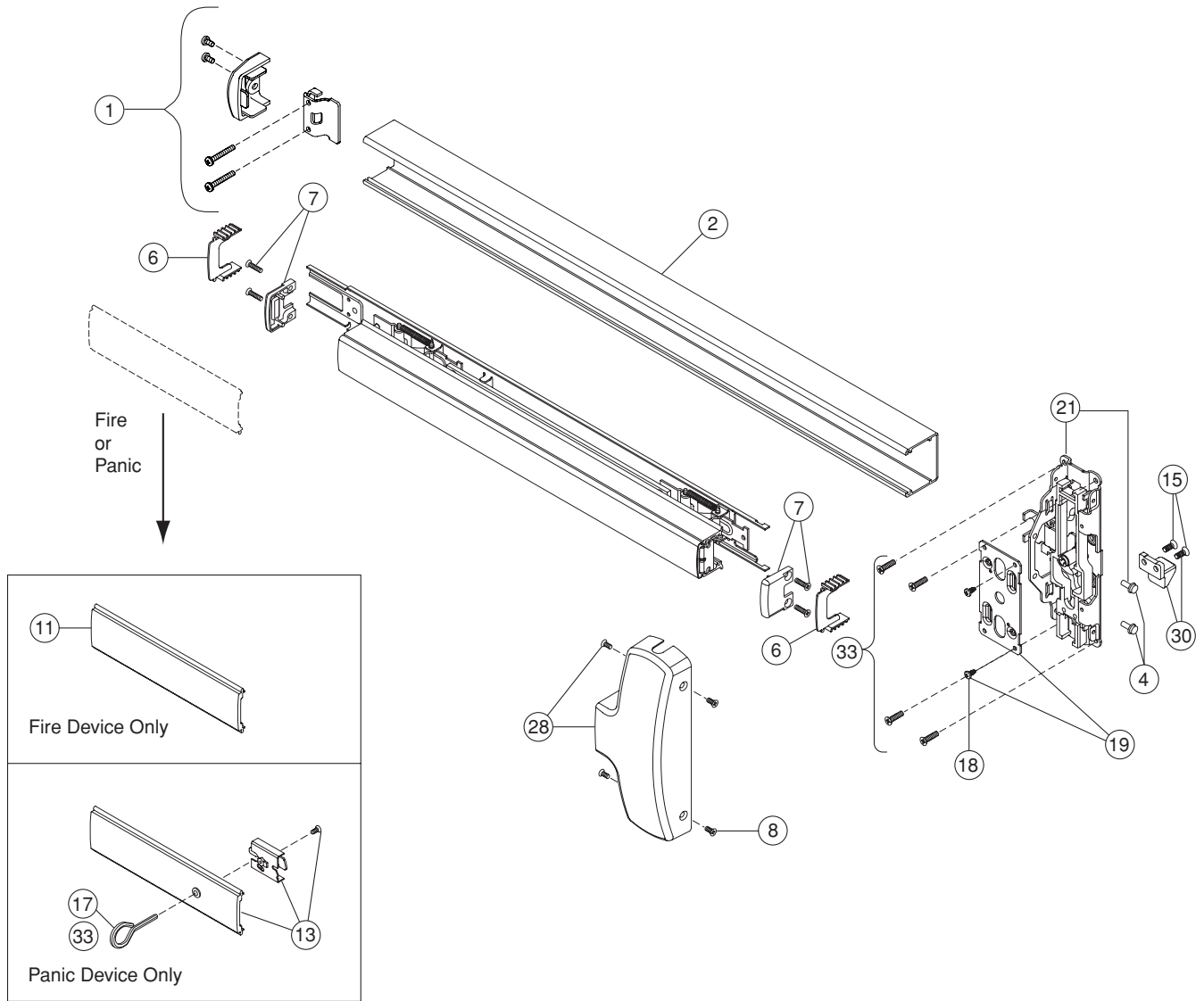
Panic and fire

EXITS

Pushpads

Architectural / Heavy Duty

25 Series



No.	Qty.	Part no.	Description	Package contents	Notes
1	1	650294	25 Channel Endcap Kit 1 3/4" Door	1- Channel Endcap 2- #10-24 x 3/8" PPHMS 1- Channel Endcap Bracket 2- #10-24 x 1" PPHMS 2- #10 x 1 1/4" PPHSMS	A
1	1	650348	25 Channel Endcap Kit 2 1/4" Door	1- Channel Endcap 2- #10-24 x 3/8" PPHMS 1- Channel Endcap Bracket 2- #10-24 x 1" PPHMS 2- #10 x 1 1/4" PPHSMS	A

Prices subject to change without notice

No.	Qty.	Part no.	Description	Package contents	Notes
2	1	661412	25 Channel 3'		A
		661413	25 Channel 4'		
4	1	600305	25 Channel Screw package of 10	10- #10-16 x 1/2" Hex Washer Head Taptite	
6	1	600319	25 Pushbar Guide Pkg	2- Pushbar Guide	
7	1	600310	25 Pushbar Endcap Kit	2- Pushbar Endcap	A
				4- #8-18 x 3/4" FPHSMS	
8	1	600307	25 Center Case Cover Screw Pkg	4- #8-18 x 3/8" UFPHMS	A
11	1	650227	F-25 Channel Cover Plate 3'		A
		650228	F-25 Channel Cover Plate 4'		
13	1	650191	25 Hex Dogging Kit 3'	1- Panic Channel Cover (3' or 4")	A
		650192	25 Hex Dogging Kit 4'	1- Dogging Subassembly 1- #8-32 x 3/8" UFPHMS	
15	1	600309	25-V/C Finger Screw Pkg	2- #10-24 x 3/8" UFPHMS	
17	1	060109	Hex Dogging Key 7/32" package of 10		
18	1	600308	25-V/M/C Center Case Housing Screw Pkg	2- #8-32 x 3/8" PPHMS Trilob	
19	1	650261	25-V/M/C Center Case Housing Kit	2- #8-32 x 3/8" PPHMS Trilob	
				1- Vertical Housing	
21	1	650242	(F)25-V Center Case Kit	1- Center Case	
				2- #10-16 x 1/2" Hex Washer Head Taptite	
28	1	650257	(F)25-V Center Case Cover Kit	1- Head Cover	A
				4- #8-18 x 3/8" UFPHMS	
30	1	650262	25-V Center Case Finger Kit	2- #10-24 x 3/8" UFPHMS	
				1-Vertical Finger	
33	1	650315	25-V Mounting Pkg 1 3/4" - 2 1/4" Door	6- #10 x 1 1/4" PPHSMS	*
				4- #10 x 1 1/4" FPHSMS	*
				1- 1/8 x 1" Cotter Key	*
				1- Dogging Key	
		650316	F-25-V Mounting Pkg 1 3/4" Door	6- #10-24 x 3/4" PPHMS	
				4- #10-24 x 3/4" FPHMS	*
				1- 1/8 x 1" Cotter Key	*
		650295	F-25-V Mounting Pkg 2 1/4" Door	6- #10-24 x 1 1/4" PPHMS	*
				4- #10-24 x 1 1/4" FPHMS	*
1- 1/8" x 1" Cotter Key	*				

* Item(s) not shown.

A Specify by finish: US3, US4, US10, US26, US26D, US32, US32D, US28, 313AN

Prices subject to change without notice

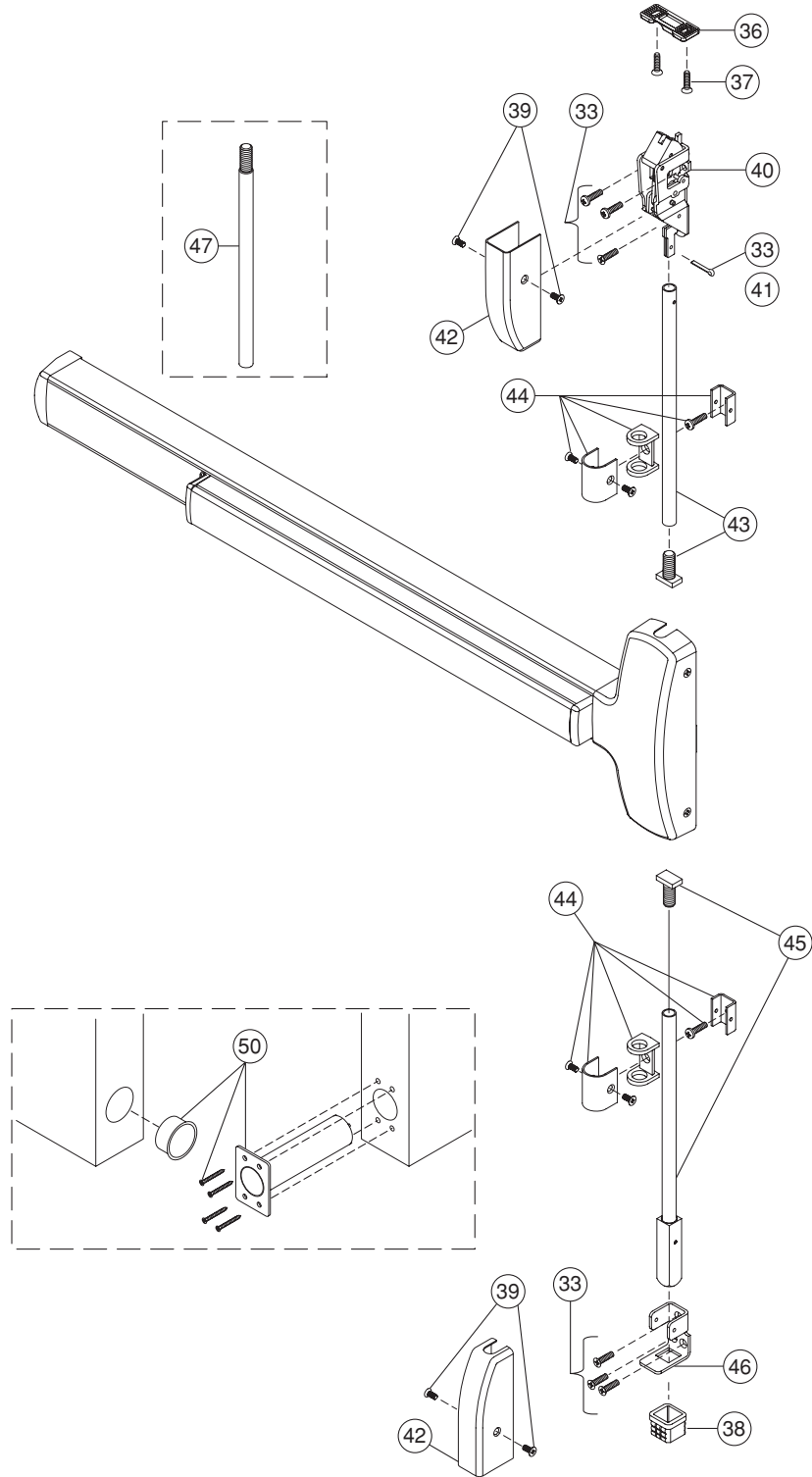
Panic and fire

EXITS

Pushpads

Architectural /
Heavy Duty

25 Series



Prices subject to change without notice

No.	Qty.	Part no.	Description	Package contents	Notes
33	1	650315	25-V Mounting Pkg 1¾" – 2¼" Door	4– #10 x 1¼" FPHSMS	*
				6– #10 x 1¼" PPHSMS	*
				1– ⅛ x 1" Cotter Key	
				1– Dogging Key	*
		650316	F-25-V Mounting Pkg 1¾" Door	4– #10-24 x ¾" FPHMS	*
				6– #10-24 x ¾" PPHMS	
				1– ⅛ x 1" Cotter Key	
		650295	F-25-V Mounting Pkg 2¼" Door	4– #10-24 x 1¼" FPHMS	*
				6– #10-24 x 1¼" PPHMS	*
1– ⅛" x 1" Cotter Key					
36	1	3788	Vertical Rod Top Strike		
37	2	660002	#10 x 1¼" FPHSMS		
38	1	2130	Vertical Rod Bottom Strike		
39	1	650336	25-V Latch Case Cover Mounting Pkg	4– #8-32 x ¼" UFPHMS	
40	1	650389	25-V Top Latch Case		
		650375	F-25-V Top Latch Case		
41	1	060111	⅛" x 1" Cotter Key package of 10		
42	2	650202	25-V Latch Case Cover Kit		A
43	1	3777	25-V Top Rod Kit		A
44	2	650311	25-V Rod Guide Kit		A
45	1	610055	25-V Bottom Rod Kit		A
46	1	650387	25-V Bottom Bolt Guide		A
47	1	650006	Vertical Extension Rod 12"		A
		650007	Vertical Extension Rod 24"		
		650008	Vertical Extension Rod 36"		
50	1	5494	Auxiliary Fire Pin Kit (Less Bottom Rod application only)		

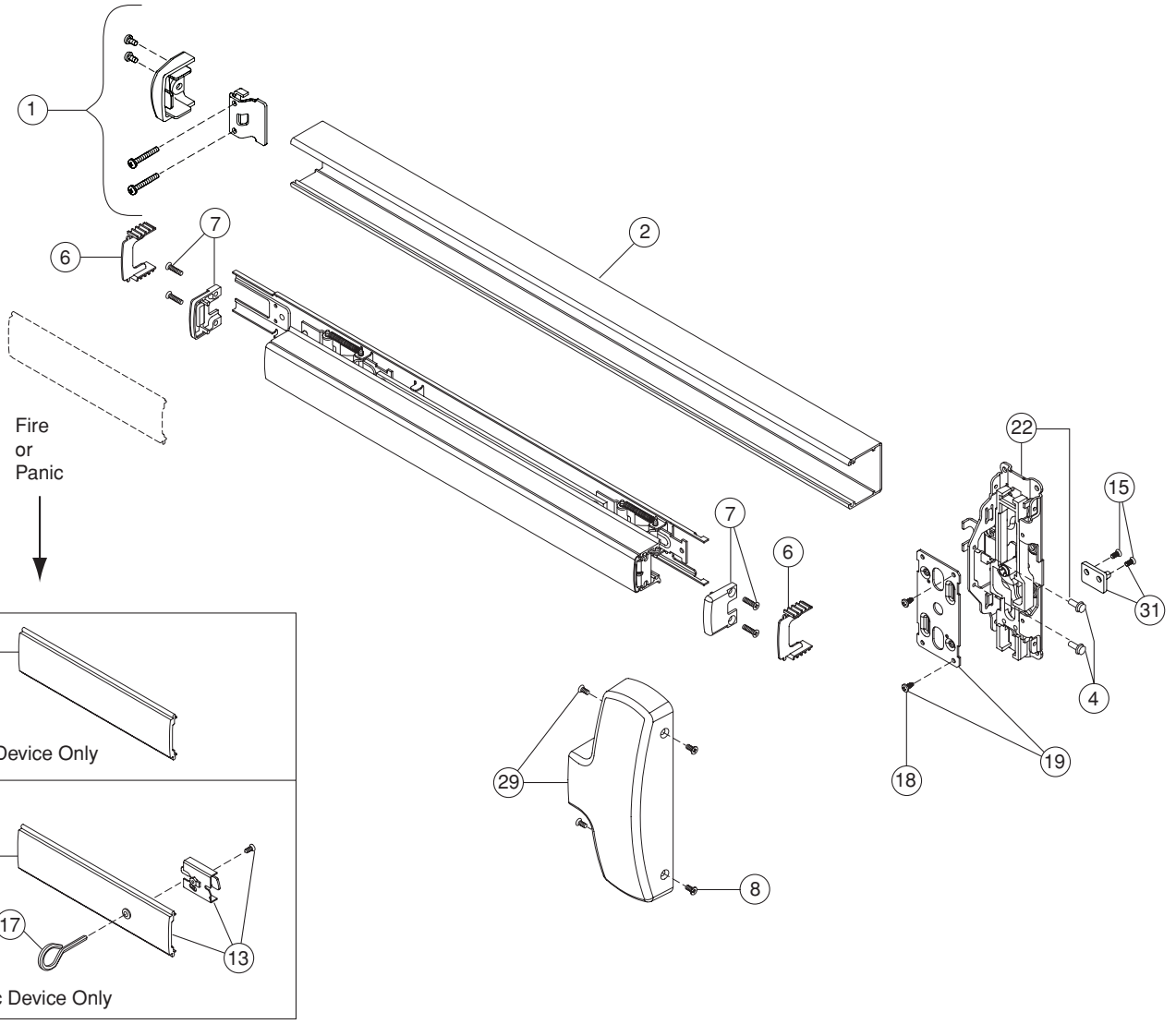
* Item(s) not shown.

A Specify by finish: US3, US4, US10, US26, US26D, US32, US32D, US28, 313AN

Prices subject to change without notice

(F)25-C Concealed vertical rod exit device

Panic and fire



EXITS
 Pushpads
 Architectural / Heavy Duty
 25 Series

Prices subject to change without notice

No.	Qty.	Part no.	Description	Package contents	Notes
1	1	650294	25 Channel Endcap Kit 1¾" Door	1- Channel Endcap	A
				2- #10-24 x ¾" PPHMS	
				1- Channel Endcap Bracket	
				2- #10-24 x 1" PPHMS	
				2- #10 x 1¼" PPHSMS	
	1	650348	25 Channel Endcap Kit 2¼" Door	1- Channel Endcap	A
				2- #10-24 x ¾" PPHMS	
				1- Channel Endcap Bracket	
				2- #10-24 x 1" PPHMS	
				2- #10 x 1¼" PPHSMS	
2	1	661412	25 Channel 3'		A
		661413	25 Channel 4'		
4	1	600305	25 Channel Screw package of 10	#10-16 x ½" Hex Washer Head Taptite	
6	1	600319	25 Pushbar Guide Pkg	2- Pushbar Guide	
7	1	600310	25 Pushbar Endcap Kit	2- Pushbar Endcap	A
				4- #8-18 x ¾" FPHSMS	
8	1	600307	25 Center Case Cover Screw Pkg	4- #8-18 - ¾" UFPHMS	A
11	1	650227	F-25 Channel Cover Plate 3'		A, B
		650228	F-25 Channel Cover Plate 4'		
13	1	650191	25 Hex Dogging Kit 3'	1- Panic Channel Cover (3' or 4')	A, B
		650192	25 Hex Dogging Kit 4'	1- Dogging Subassembly 1- #8-32 x ¾" UFPHMS	
15	1	600309	25-V/C Center Case Finger Screw Pkg	2- #10-24 x ¾" UFPHMS	
17	1	060109	Hex Dogging Key 7/32" package of 10		
18	1	600308	25-V/M/C Center Case Housing Screw Pkg	2- #8-32 x ¾" PPHMS Trilob Housing	
19	1	650261	25-V/M/C Center Case Housing Kit	2- #8-32 x ¾" PPHMS Trilob Housing	
				1- Vertical Housing	
22	1	650244	25-C, CWDC Center Case Kit	1- Center Case	
				2- #10-16 x ½" Hex Washer Head Taptite	
29	1	650259	(F)25-C/M Center Case Cover Kit	1- Center Case	A
				4- #8-18 - ¾" UFPHMS	
31	1	650263	25-C Center Case Finger Kit	2- #10-24 x ¾" UFPHMS	
				1- Concealed Finger	

A Specify by finish: US3, US4, US10, US26, US26D, US32, US32D, US28, 313AN

EXITS

 Pushpads

 Architectural / Heavy Duty

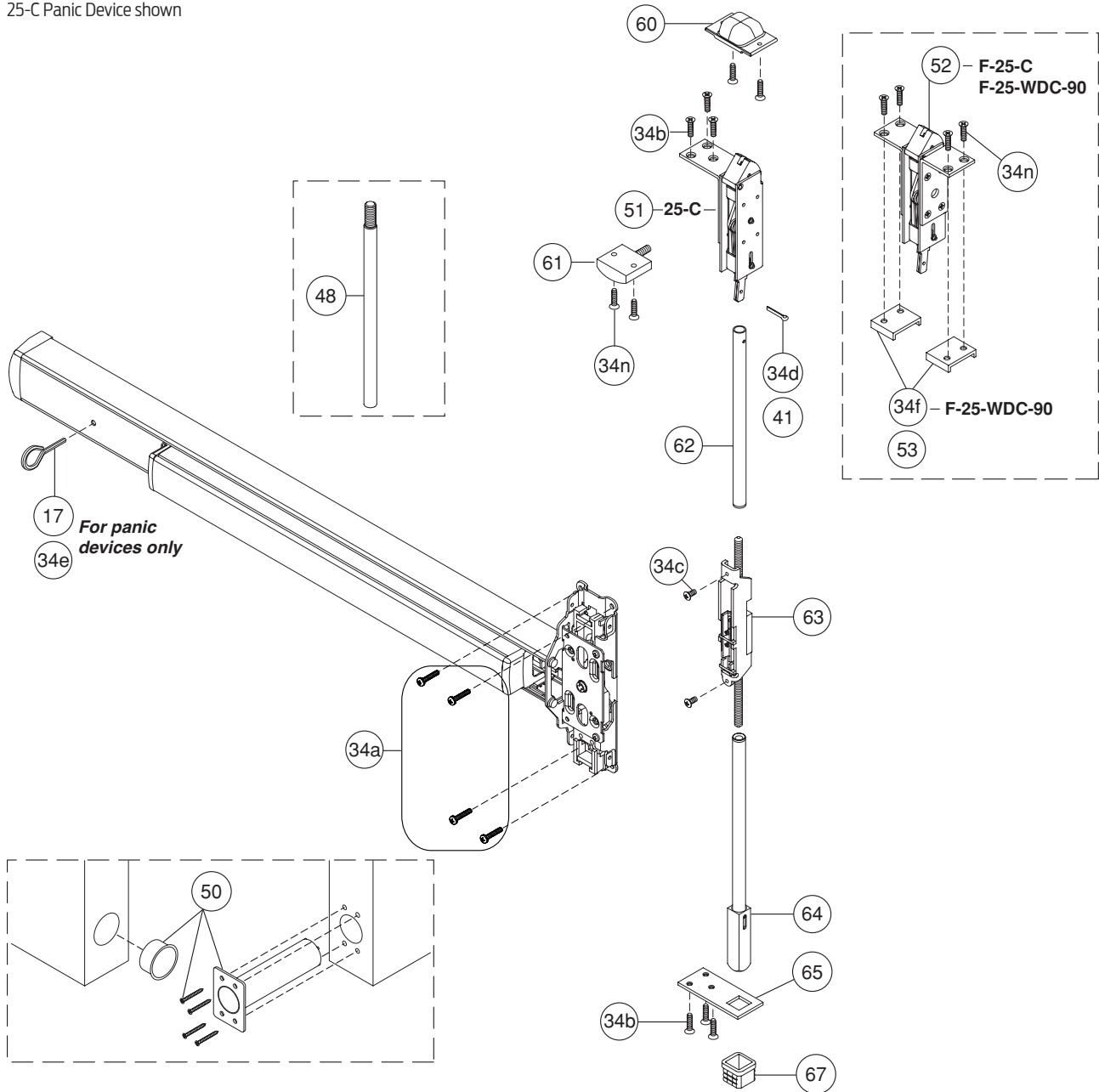
 25 Series

Prices subject to change without notice

(F)25-C and F-25-C-WDC-90 Concealed vertical rods and latches

Metal door—panic and fire, wood door—90 minute fire device

25-C Panic Device shown



EXITS

Pushpads

Architectural / Heavy Duty

25 Series

No.	Qty.	Part no.	Description	Package contents	Notes
17	1	060109	Hex Dogging Key 7/32" package of 10		
34	1	650317	F-25-C Mounting Pkg 1 3/4" Door	34a 8- #10-24 x 3/4" PPHMS 34b 7- #10-24 x 3/4" FPHMS 34c 2- #8-32 x 3/8" UFPHMS 34d 1- 1/8 x 1" Cotter Key — 2- 1/4-20 x 3/4" PPHMS	*

Prices subject to change without notice

Concealed vertical rods and latches **(F)25-C and F-25-C-WDC-90**

No.	Qty.	Part no.	Description	Package contents	Notes	
34	1	650318	25-C Mounting Pkg 1¾" Door	34a	8- #10 x 1¼" PPHSMS	*
				34b	6- #10-24 x ¾" FPHMS	
				34c	2- #8-32 x ⅝" UFPHMS	
				34d	1- ⅛ x 1" Cotter Key	
				34e	1- Dogging Key	
				—	2- #14 x 1" PPHSMS	*
		650299	F-25-CWDC Mounting Pkg 1¾" Door	34a	4- #10 x 1¼" PPHSMS	*
				34a	8- #10-24 x ¾" PPHMS	
				34b	3- #10 x 1¼" FPHSMS	*
				34c	2- #8-32 x ⅝" UFPHMS	
				34d	1- ⅛ x 1" Cotter Key	
				34f	2- Latch Bracket (Sold Separately #4694-089)	
		650296	F-25-CWDC Mounting Pkg 2¼" Door	34a	4- #10 x 1¼" PPHSMS	*
				34a	8- #10-24 x ¾" PPHMS	
				34b	3- #10 x 1¼" FPHSMS	*
				34c	2- #8-32 x ⅝" UFPHMS	
				34d	1- ⅛ x 1" Cotter Key	
				34f	2- Latch Bracket (Sold Separately #4694-089)	
		650300	25-C Mounting Pkg 2¼" Door	34a	8- #10 x 1¼" PPHSMS	*
				34b	6- #10-24 x 1¼" FPHMS	
34c	2- #8-32 x ⅝" UFPHMS					
34d	1- ⅛ x 1" Cotter Key					
34e	1- Dogging Key					
—	2- #14 x 1" PPHSMS			*		
650346	F-25-C Mounting Pkg 2¼" Door	34a	8- #10-24 x 1¼" PPHMS			
		34b	7- #10-24 x 1¼" FPHMS			
		34c	2- #8-32 x ⅝" UFPHMS			
		34d	1- ⅛ x 1" Cotter Key			
—	2- ¼-20 x 1¼" PPHMS	*				
41	1	060111	⅛ x 1" Cotter Key package of 10			
48	1	650017	Concealed Vertical Extension Rod 12"			
		650018	Concealed Vertical Extension Rod 24"			
		650019	Concealed Vertical Extension Rod 36"			
50	1	5494	Auxiliary Fire Latch Kit (Less Bottom Rod application only)			
51	1	603L	25-C, CWDC Top Latch Case LHR			
		603R	25-C, CWDC Top Latch Case RHR			
52	1	F603	F-25-C Top Latch Case			
53	2	4694	F-25 CWDC Latch Bracket			
60	1	4188	Concealed Vertical Top Rod Strike			
61	1	650339	(F)25-C, CWDC Top Latch Release Kit		A	
62	1	610061	(F)25-C, CWDC Top Rod Kit			
63	1	650376	(F)25-C, CWDC Center Slide Assembly			
64	1	610057	(F)25-C, CWDC Bottom Rod Kit			
65	1	4567	25-C Bottom Bolt Guide			
67	1	2130	Vertical Rod Bottom Strike			

* Items for 24 Series devices only, not shown.

A Specify by finish: US3, US4, US10, US26, US26D, US32, US32D, US28, 313AN

Prices subject to change without notice

25-C-WDC and F-25-C-WDC-20 Concealed vertical rods and latches

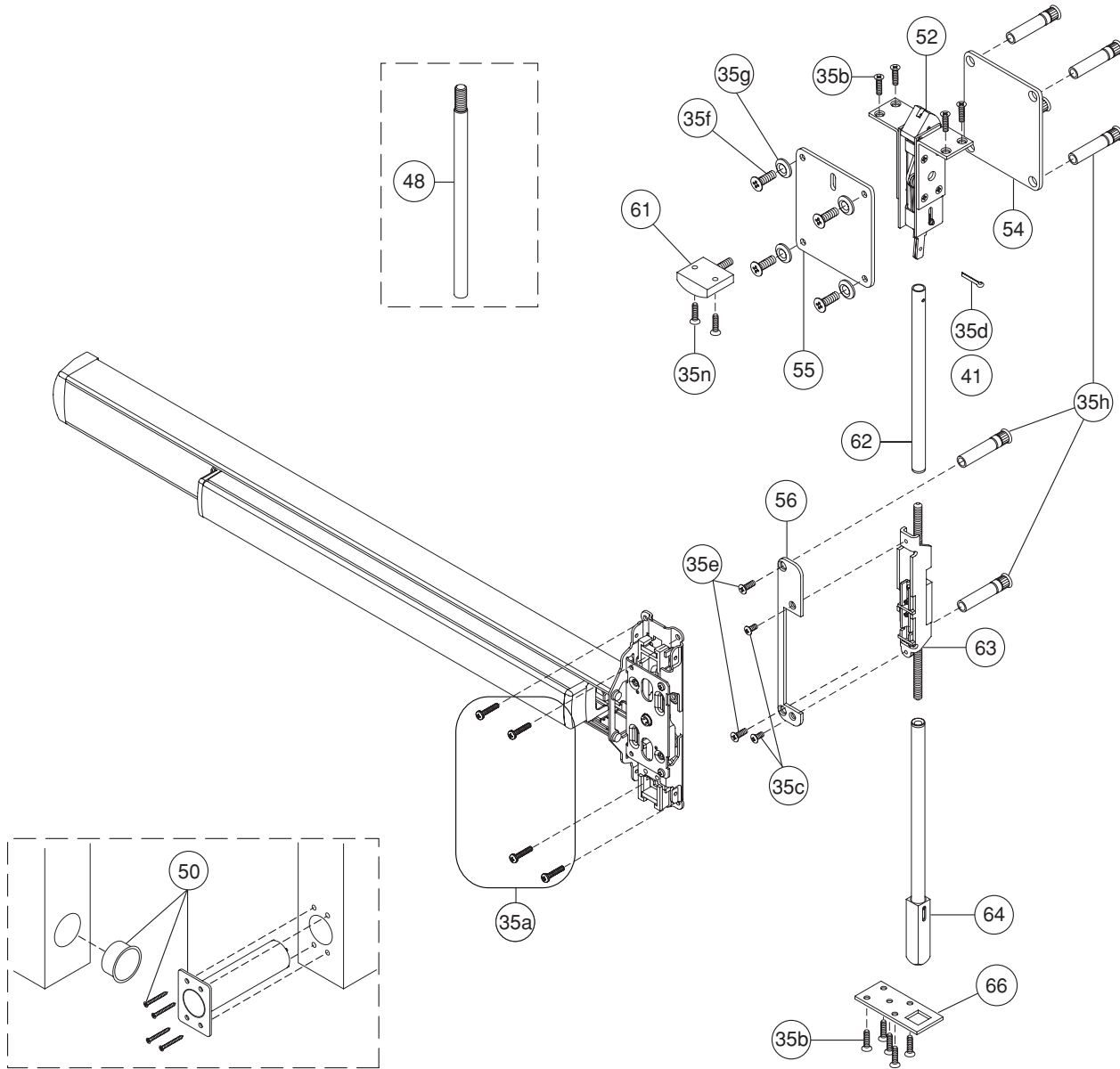
Wood door—panic devices, wood door—20 minute fire device

EXITS

Pushpads

Architectural / Heavy Duty

25 Series



F-25-C-WDC-20 Device shown

REFERENCE NOTE:
F-25-C-WDC-20 is no longer available for purchase. Parts listed for installed SERVICE ONLY.

Prices subject to change without notice

Concealed vertical rods and latches **25-C-WDC and F-25-C-WDC-20**

No.	Qty.	Part no.	Description	Package contents		Notes
17	1	060109	Hex Dogging Key 7/32" package of 10			
35	1	650299	F-25-CWDC Mounting Pkg 1 3/4" Door	35a	8- #10 x 1 1/4" PPHSMS	A
				—	4- #10-24 x 1" PPHMS	
				35b	11- #10 x 1 1/4" FPHSMS	
				35c	2- #8-32 x 3/8" UFPHMS	
				35d	1- 1/8 x 1" Cotter Key	
				35e	2- 3/4" CS Plate Mtg Screw	
				35f	4- 1/4-20 x 3/4" FPHMS	
				35g	4- 1/4" CS Washer	
				35h	6- 1/4-20 Sexbolt	
		35n	4- #10-24 x 3/4" FPHMS			
		650296	25-CWDC Mounting Pkg 2 1/4" Door	35a	8- #10 x 1 1/4" PPHSMS	A
				—	4- #10-24 x 1 1/2" PPHMS	
				35b	11- #10 x 1 1/4" FPHSMS	
				35c	2- #8-32 x 3/8" UFPHMS	
				35d	1- 1/8 x 1" Cotter Key	
				35e	2- 3/4" CS Plate Mtg Screw	
				35f	4- 1/4-20 x 1 1/4" FPHMS	
				35g	4- 1/4" CS Finish Washer	
35h	6- 1/4-20 Sexbolt					
35n	2- #10-24 x 3/4" FPHMS					
41	1	060111	1/8 x 1" Cotter Key package of 10			
48	1	650017	Concealed Vertical Extension Rod 12"			
		650018	Concealed Vertical Extension Rod 24"			
		650019	Concealed Vertical Extension Rod 36"			
49	1	WF603	F-25-CWDC Top Latch Case			*
50	1	5494	Auxiliary Fire Latch Kit (Less Bottom Rod application only)			
52	1	F603	F-25-C Top Latch Case			
54	1	4833	Top Reinforcement Plate			A
55	1	4834	Top Reinforcement Plate with Access Hole			A
56	1	4832	(F)25-CWDC Center Slide Reinforcement Plate			
61	1	650339	(F)25-C, CWDC Top Latch Release Kit			A
62	1	610061	(F)25-C, CWDC Top Rod Kit			
63	1	650376	(F)25-C, CWDC Center Slide Assembly			
64	1	610057	(F)25-C, CWDC Bottom Rod Kit			
66	1	4835	25-CWDC Bottom Bolt Guide			

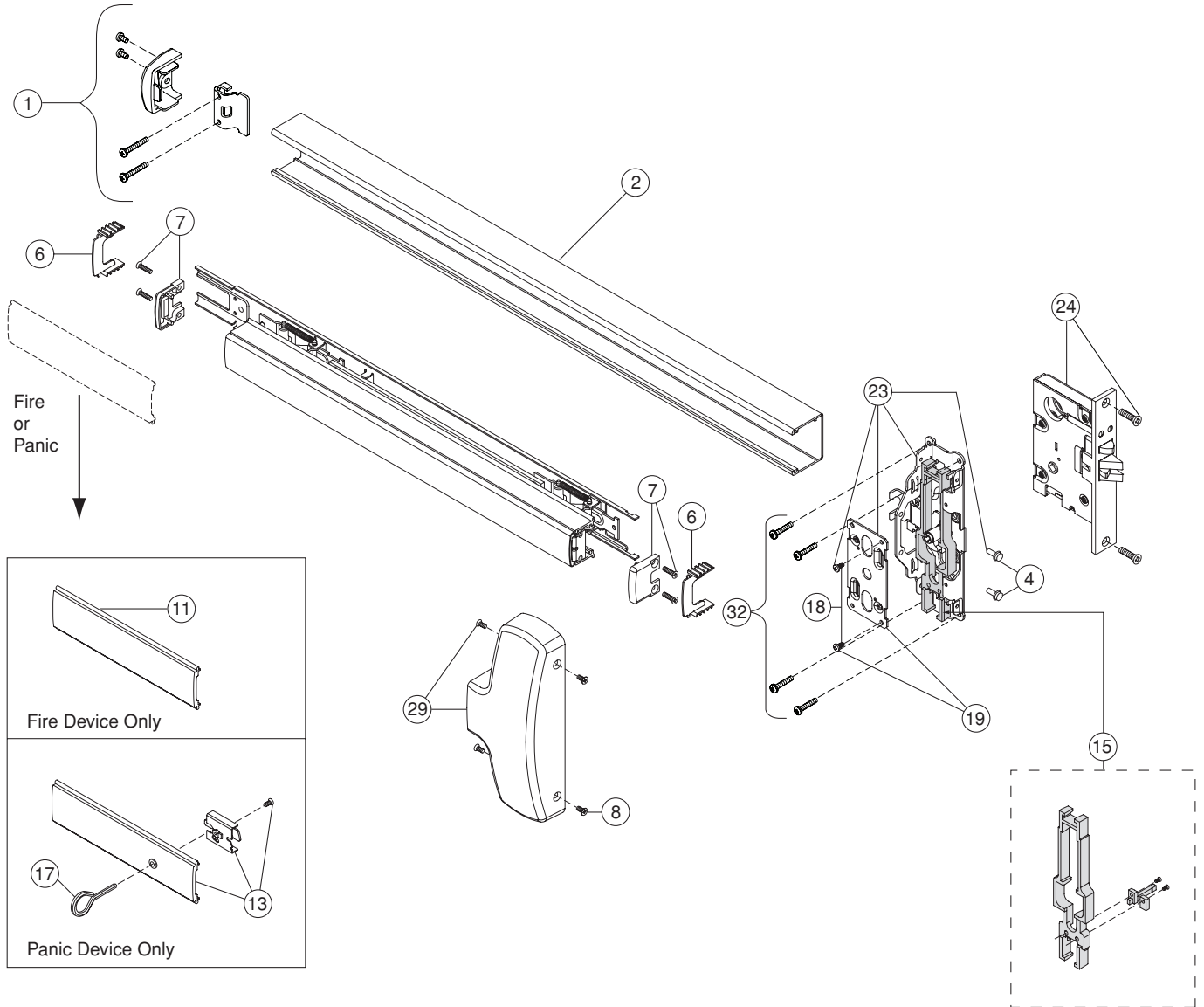
* Item(s) not shown.

A Specify by finish: US3, US4, US10, US26, US26D, US32, US32D, US28, 313AN

Prices subject to change without notice

(F)25-M Mortise exit device

Panic and fire



No.	Qty.	Part no.	Description	Package contents	Notes
1	1	650294	25 Channel Endcap Kit 1¾" Door	1- Channel Endcap 2- #10-24 x ¾" PPHMS 1- Channel Endcap Bracket 2- #10-24 x 1" PPHMS 2- #10 x 1¼" PPHSMS	A

Prices subject to change without notice

No.	Qty.	Part no.	Description	Package contents	Notes
1	1	650348	25 Channel Endcap Kit 2 1/4" Door	1- Channel Endcap	A
				2- #10-24 x 3/8" PPHMS	
				1- Channel Endcap Bracket	
				2- #10-24 x 1" PPHMS	
				2- #10 x 1 1/4" PPHSMS	
2	1	661412	25 Channel 3'		A
		661413	25 Channel 4'		
4	1	600305	25 Channel Screw package of 10	#10-16 x 1/2" Hex Washer Head Taptite	
6	1	600319	25 Pushbar Guide Pkg	2- Pushbar Guide	
7	1	600310	25 Pushbar Endcap Kit	2- Pushbar Endcap	A
				4- #8-18 x 3/4" FPHSMS	
8	1	600307	25 Center Case Cover Screw Pkg	4- #8-18 x 3/8" UFPHMS	A
11	1	650227	F-25 Channel Cover Plate 3'		B
		650228	F-25 Channel Cover Plate 4'		
13	1	650191	25 Hex Dogging Kit 3'	1- Panic Channel Cover (3' or 4') 1- Dogging Subassembly	A
		650192	25 Hex Dogging Kit 4'	1- #8-32 x 3/8" UFPHMS	
15	1	650377	25-M Center Case Slide Bar Assembly LHR		C
		650378	25-M Center Case Slide Bar Assembly RHR		
17	1	060109	Hex Dogging Key 7/32" package of 10		
18	1	600308	25-V/M/C Housing Screw Pkg	2- #8-32 x 3/8" PPHMS Trilob	
19	1	650261	25-V/M/C Housing Kit	2- #8-32 x 3/8" PPHMS Trilob	
				1- Vertical Housing	
23	1	650246	(F)25-M Center Case Kit, RHR	1- Center Case	
				2- #10-16 x 1/2" Hex Washer Head Taptite	
				1- Mortise Finger	
		650398	(F)25-M Center Case Kit, LHR	1- Mortise Block 2- #10-24 x 3/8" UFPHMS	
24	1	8500	Mortise Lock Assembly	1- Mortise Lock	
				2- #12-24 x 1/2" UFPHMS	
29	1	650259	(F)25-C, M Center Case Cover Kit	1- Center Case Cover	A
				4- #8-18 x 3/8" UFPHMS	
32	1	650345	(F)25-R/M Mounting Pkg 1 3/4" Door	6- #10 x 1 1/4" PPHSMS	*
				4- #10-24 x 3/4" PPHMS	
				2- #10-24 x 1" PPHMS	*
				1- Tailpiece Guide	*
	1	650293	(F)25-R/M Mounting Pkg 2 1/4" Door	6- #10 x 1 1/4" PPHSMS	*
				4- #10-24 x 1 1/4" PPHMS	
				2- #10-24 x 1 1/2" PPHMS	*
				1- Tailpiece Guide	*

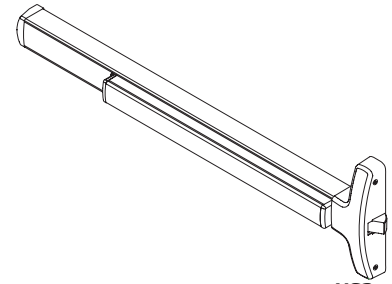
* Item(s) not shown.

A Specify by finish: US3, US4, US10, US26, US26D, US32, US32D, US28, 313AN

B Lift Finger is pre-installed on the Slide Bar Assembly. Screws secured with Loctite®.

Prices subject to change without notice

3' Devices are priced with standard trim and strikes, 4' add \$19 list.
Cylinders are not included in the price.



EXIT HARDWARE
Rim Devices
(Includes 299 Strike)

	Trim/Control	US28	US32D	313AN	US19* US26D	US26	US32	US10	US4	US3 643E* US15*
* 24-R-EO		1156	1452	1225	1406	1459	1487	1459	1487	1588
* 24-R-NL-OP	(Supplied as NL less trim)	1156	1452	1225	1406	1459	1487	1459	1487	1588
Delta Trim (handed and field reversible)										
24-R-DT	717DT	1340	1716	1451	1670	1723	1751	1643	1671	1852
24-R-DT	718DT	1511	1736	1428	1690	1743	1771	1814	1842	1872
* 24-R-NL	718NL*	1340	1716	1451	1670	1723	1751	1643	1671	1852
* 24-R-C	718C*	1299	1655	1409	1609	1662	1690	1602	1630	1791
Knob Control (handed and field reversible)										
24-R-K	711K	1328	1767	1475	1721	1774	1802	1631	1659	1903
24-R-K-BE	711K-BE	1328	1767	1475	1721	1774	1802	1631	1659	1903
24-R-K-NL	711K-NL	1328	1767	1475	1721	1774	1802	1631	1659	1903
Dane Lever Control (handed and field reversible)										
* 24-R-L	712L*	1502	1840	1588	1794	1847	1875	1805	1833	1976
* 24-R-L-BE	712L-BE*	1502	1840	1588	1794	1847	1875	1805	1833	1976
* 24-R-L-NL	712L-NL*	1502	1840	1588	1794	1847	1875	1805	1833	1976
* 24-R-L-DT	712L-DT*	1502	1840	1588	1794	1847	1875	1805	1833	1976

* These devices and 712L, 712L-BE, 712L-NL, 712L-DT, 718C, 718NL trims are available in 643E, US15 and US19 finishes.

REFERENCE NOTES:

24 Series ordered in 313AN will be supplied with trims in SP313.
Handing: Trims are furnished RHR when handing is not specified.
24 Rim, comes with dead latching as a standard effective April 3, 2017.

Sex Bolts:

Optional Sex Bolts are recommended for center case mounting when device is used with hollow core wood, composite or light gauge hollow metal doors. See chart below for quantities and list prices.

Application	Sex Bolt 325 (Optional)	Sex Bolt 425 (Optional)	List Add
Hollow core wood, composite or light gauge hollow metal doors - EO (exit only device)	2	4	78
Hollow core wood, composite or light gauge hollow metal doors - Device with Trim	Not Required	4	52

Prices subject to change without notice

EXITS

Pushpads

Architectural /
Heavy Duty

24 Series

**3' Devices are priced with standard trim and strikes, 4' add \$19 list.
Cylinders are not included in the price.**

EXIT HARDWARE

Rim Devices

(Includes 299F Strike)

	Trim/Control	US28	US32D	313AN	US19* US26D	US26	US32	US10	US4	US3 643E* US15*
* F-24-R-EO		1365	1661	1434	1615	1668	1696	1668	1696	1797
* F-24-R-NL-OP	(Supplied as NL less trim)	1365	1661	1434	1615	1668	1696	1668	1696	1797
Delta Trim (handed and field reversible)										
F-24-R-DT	717DT	1549	1925	1660	1879	1932	1960	1852	1880	2061
F-24-R-DT	718DT	1720	1945	1637	1899	1952	1980	2023	2051	2081
* F-24-R-NL	718NL*	1549	1925	1660	1879	1932	1960	1852	1880	2061
* F-24-R-C	718C*	1508	1864	1618	1818	1871	1899	1811	1839	2000
Knob Control (handed and field reversible)										
F-24-R-K	711K	1537	1976	1684	1930	1983	2011	1840	1868	2112
F-24-R-K-BE	711K-BE	1537	1976	1684	1930	1983	2011	1840	1868	2112
F-24-R-K-NL	711K-NL	1537	1976	1684	1930	1983	2011	1840	1868	2112
Dane Lever Control (handed and field reversible)										
* F-24-R-L	712L*	1711	2049	1797	2003	2056	2084	2014	2042	2185
* F-24-R-L-BE	712L-BE*	1711	2049	1797	2003	2056	2084	2014	2042	2185
* F-24-R-L-NL	712L-NL*	1711	2049	1797	2003	2056	2084	2014	2042	2185
* F-24-R-L-DT	712L-DT*	1711	2049	1797	2003	2056	2084	2014	2042	2185

* These devices and 712L, 712L-BE, 712L-NL, 712L-DT, 718C, 718NL trims are available in 643E, US15 and US19 finishes.

REFERENCE NOTES:

24 Series ordered in 313AN will be supplied with trims in SP313.

Handing: Trims are furnished RHR when handing is not specified.

Sex Bolts:

Sex Bolts are supplied for center case mounting when device is used with wood, composite or non-reinforced hollow metal doors.

Application	Sex Bolt 325 (Supplied)	Sex Bolt 425 (Supplied)
Wood, composite or non-reinforced hollow metal doors - EO (exit only device)	2	4
Wood, composite or non-reinforced hollow metal doors - Device with Trim	Not Required	4

EXITS

Pushpads

Architectural /
Heavy Duty

24 Series

Prices subject to change without notice

3' Devices are priced with standard trim and strikes, 4' add \$19, 2' (less label) add \$123 list. Cylinders are not included in the price.

EXIT HARDWARE

Surface Vertical Rod Devices
(Includes 3788 and 2130 Strikes)

Trim/Control	US28	US32D	313AN	US19* US26D	US26	US32	US10	US4	US3 643E* US15*
* 24-V-EO	1511	1919	1600	1847	1919	1955	1919	1955	2069
* 24-V-NL-OP (Supplied as NL less trim)	1511	1919	1600	1847	1919	1955	1919	1955	2069
Delta Trim (handed and field reversible)									
24-V-DT 717DT	1695	2183	1826	2111	2183	2219	2103	2139	2333
24-V-DT 718DT	1866	2203	1803	2131	2203	2239	2274	2310	2353
* 24-V-NL 718NL*	1695	2183	1826	2111	2183	2219	2103	2139	2333
* 24-V-C 718C*	1654	2122	1784	2050	2122	2158	2062	2098	2272
Knob Control (handed and field reversible)									
24-V-K 711K	1683	2234	1850	2162	2234	2270	2091	2127	2384
24-V-K-BE 711K-BE	1683	2234	1850	2162	2234	2270	2091	2127	2384
24-V-K-NL 711K-NL	1683	2234	1850	2162	2234	2270	2091	2127	2384
Dane Lever Control (handed and field reversible)									
* 24-V-L 712L*	1857	2307	1963	2235	2307	2343	2265	2301	2457
* 24-V-L-BE 712L-BE*	1857	2307	1963	2235	2307	2343	2265	2301	2457
* 24-V-L-NL 712L-NL*	1857	2307	1963	2235	2307	2343	2265	2301	2457
* 24-V-L-DT 712L-DT*	1857	2307	1963	2235	2307	2343	2265	2301	2457

* These devices and 712L, 712L-BE, 712L-NL, 712L-DT, 718C, 718NL trims are available in 643E, US15 and US19 finishes.

REFERENCE NOTES:

24 Series ordered in 313AN will be supplied with trims in SP313.

24-V Device ordered in US15 will be supplied with US32D Rod and Latch Cover.

Handing: 24-V devices and noted Trims are handed and field reversible. The Device and Trims are furnished RHR when handing is not specified.

Extension Rods: For door heights over 7'0" up to 8'0", 12" extension rods are furnished at no additional charge at the time of device order. For door heights over 8'0" up to 10'0" extension rods are furnished at prices shown in parts section with the device at the time of order. MUST specify door height on order line.

Sex Bolts:

Optional Sex Bolts are recommended for center case and latch mounting when device is used with hollow core wood, composite or light gauge hollow metal doors. See chart below for quantities and list prices.

Application	Latches Sex Bolt 2729 (Optional)	Device Sex Bolt 425 (Optional)	Device Sex Bolt 325 (Optional)	List Add
Hollow core wood, composite or light gauge hollow metal doors - EO (exit only device)	6	2	2	112
Hollow core wood, composite or light gauge hollow metal doors - Device with Trim	6	2	Not Required	86
Hollow core wood, composite or light gauge hollow metal doors - EO (exit only device) LBR	3	2	2	82
Hollow core wood, composite or light gauge hollow metal doors - Device with Trim LBR	3	2	Not Required	56

Prices subject to change without notice

3' Devices are priced with standard trim and strikes, 4' add \$19 list, 2' (less label) add \$123 list. Cylinders are not included in the price.

FIRE EXIT HARDWARE
Surface Vertical Rod Devices
 (Includes 3788 and 2130 Strikes)

	Trim/Control	US28	US32D	313AN	US19* US26D	US26	US32	US10	US4	US3 643E* US15*
* F-24-V-EO		1704	2112	1793	2040	2112	2148	2112	2148	2262
* F-24-V-NL-OP	(Supplied as NL less trim)	1704	2112	1793	2040	2112	2148	2112	2148	2262
Delta Trim (handed and field reversible)										
F-24-V-DT	717DT	1888	2376	2019	2304	2376	2412	2296	2332	2526
F-24-V-DT	718DT	2059	2396	1996	2324	2396	2432	2467	2503	2546
* F-24-V-NL	718NL*	1888	2376	2019	2304	2376	2412	2296	2332	2526
* F-24-V-C	718C*	1847	2315	1977	2243	2315	2351	2255	2291	2465
Knob Control (handed and field reversible)										
F-24-V-K	711K	1876	2427	2043	2355	2427	2463	2284	2320	2577
F-24-V-K-BE	711K-BE	1876	2427	2043	2355	2427	2463	2284	2320	2577
F-24-V-K-NL	711K-NL	1876	2427	2043	2355	2427	2463	2284	2320	2577
Dane Lever Control (handed and field reversible)										
* F-24-V-L	712L*	2050	2500	2156	2428	2500	2536	2458	2494	2650
* F-24-V-L-BE	712L-BE*	2050	2500	2156	2428	2500	2536	2458	2494	2650
* F-24-V-L-NL	712L-NL*	2050	2500	2156	2428	2500	2536	2458	2494	2650
* F-24-V-L-DT	712L-DT*	2050	2500	2156	2428	2500	2536	2458	2494	2650

* These devices and 712L, 712L-BE, 712L-NL, 712L-DT, 718C, 718NL trims are available in 643E, US15 and US19 finishes.

REFERENCE NOTES:

24 Series ordered in 313AN will be supplied with trims in SP313.

24-V Device ordered in US15 will be supplied with US32D Rod and Latch Cover.

Handing: F-24-V devices and noted Trims are handed and field reversible. The Device and Trims are furnished RHR when handing is not specified.

Extension Rods: For door heights over 7'0" up to 8'0", 12" extension rods are furnished at no additional charge at the time of device order.

For door heights over 8'0" up to 10'0" extension rods are furnished at prices shown in parts section with the device at the time of order.

MUST specify door height on order line.

Sex Bolts:

One 4122 Sex Bolt is supplied standard no charge for hinge side mounting. Sex Bolts are supplied for center case and latch mounting when device is used with wood, composite or non-reinforced hollow metal doors.

Application	Latches Sex Bolt 2729 (Supplied)	Device Sex Bolt 425 (Supplied)	Device Sex Bolt 325 (Supplied)
Wood, composite or non-reinforced hollow metal doors - EO (exit only device)	6	2	2
Wood, composite or non-reinforced hollow metal doors - Device with Trim	6	2	Not Required
Wood, composite or non-reinforced hollow metal doors - EO (exit only device) LBR	3	2	2
Wood, composite or non-reinforced hollow metal doors - Device with Trim LBR	3	2	Not Required

Prices subject to change without notice

EXITS
 Pushpads
 Architectural / Heavy Duty
 24 Series

3' Devices are priced with standard trim and strikes, 4' add \$19 list, 2' (less label) add \$123 list. Cylinders are not included in the price.

EXIT HARDWARE
Concealed Vertical Rod Devices
 (Includes Strikes 4188 and 2130)

Trim/Control	US28	US32D	313AN	US19* US26D	US26	US32	US10	US4	US3 643E* US15*	
* 24-C-EO	1586	1980	1684	1939	2019	2058	2019	2058	2175	
Delta Trim (handed and field reversible)										
24-C-DT	717DT	1770	2244	1910	2203	2283	2322	2203	2242	2439
24-C-DT	718DT	1941	2264	1887	2223	2303	2342	2374	2413	2459
* 24-C-NL	718NL*	1770	2244	1910	2203	2283	2322	2203	2242	2439
* 24-C-C	718C*	1729	2183	1868	2142	2222	2261	2162	2201	2378
Knob Control (handed and field reversible)										
24-C-K	711K	1758	2295	1934	2254	2334	2373	2191	2230	2490
24-C-K-BE	711K-BE	1758	2295	1934	2254	2334	2373	2191	2230	2490
24-C-K-NL	711K-NL	1758	2295	1934	2254	2334	2373	2191	2230	2490
Dane Lever Control (handed and field reversible)										
* 24-C-L	712L*	1932	2368	2047	2327	2407	2446	2365	2404	2563
* 24-C-L-BE	712L-BE*	1932	2368	2047	2327	2407	2446	2365	2404	2563
* 24-C-L-NL	712L-NL*	1932	2368	2047	2327	2407	2446	2365	2404	2563
* 24-C-L-DT	712L-DT*	1932	2368	2047	2327	2407	2446	2365	2404	2563

* These devices and 712L, 712L-BE, 712L-NL, 712L-DT, 718C, 718NL trims are available in 643E, US15 and US19 finishes.

REFERENCE NOTES:

24 Series ordered in 313AN will be supplied with trims in SP313.

Handing: All 24-C Devices and Trims are handed and field reversible. The Device and Trims are furnished RHR when handing is not specified.

Extension Rods: For door heights over 7'0" up to 8'0", 12" extension rods are furnished at no additional charge at the time of device order. Must specify door height on order line. For door heights over 8'0" up to 10'0" extension rods are furnished at prices shown in parts section with the device at the time of order. MUST specify door height on order line.

Sex Bolts:

Optional Sex Bolts are recommended for center case when device is used with light gauge hollow metal doors. See chart below for quantities and list prices.

Application	Device Sex Bolt 425 (Optional)	Device Sex Bolt 325 (Optional)	List Add
Light gauge hollow metal doors - EO (exit only device)	2	2	52
Light gauge hollow metal doors - Device with Trim	2	Not Required	26

Prices subject to change without notice

EXITS

Pushpads

Architectural /
Heavy Duty

24 Series

3' Devices are priced with standard trim and strikes, 4' add \$19 list, and 2' (less label) add \$123 list. Cylinders are not included in the price.

FIRE EXIT HARDWARE
Concealed Vertical Rod Devices
 (Includes Strikes 4188 and 2130)

	Trim/Control	US28	US32D	313AN	US19* US26D	US26	US32	US10	US4	US3 643E* US15*
* F-24-C-EO		1779	2173	1877	2132	2212	2251	2212	2251	2368
Delta Trim (handed and field reversible)										
F-24-C-DT	717DT	1963	2437	2103	2396	2476	2515	2396	2435	2632
F-24-C-DT	718DT	2134	2457	2080	2416	2496	2535	2567	2606	2652
* F-24-C-NL	718NL*	1963	2437	2103	2396	2476	2515	2396	2435	2632
* F-24-C-C	718C*	1922	2376	2061	2335	2415	2454	2355	2394	2571
Knob Control (handed and field reversible)										
F-24-C-K	711K	1951	2488	2127	2447	2527	2566	2384	2423	2683
F-24-C-K-BE	711K-BE	1951	2488	2127	2447	2527	2566	2384	2423	2683
F-24-C-K-NL	711K-NL	1951	2488	2127	2447	2527	2566	2384	2423	2683
Dane Lever Control (handed and field reversible)										
* F-24-C-L	712L*	2125	2561	2240	2520	2600	2639	2558	2597	2756
* F-24-C-L-BE	712L-BE*	2125	2561	2240	2520	2600	2639	2558	2597	2756
* F-24-C-L-NL	712L-NL*	2125	2561	2240	2520	2600	2639	2558	2597	2756
* F-24-C-L-DT	712L-DT*	2125	2561	2240	2520	2600	2639	2558	2597	2756

* These devices and 712L, 712L-BE, 712L-NL, 712L-DT, 718C, 718NL trims are available in 643E, US15 and US19 finishes.

REFERENCE NOTES:

24 Series ordered in 313AN will be supplied with trims in SP313.

Handing: All F-24-C Devices and Trims are handed and field reversible. The Device and Trims are furnished RHR when handing is not specified.

Extension Rods: For door heights over 7'0" up to 8'0", 12" extension rods are furnished at no additional charge at the time of device order.

For door heights over 8'0" up to 10'0" extension rods are furnished at prices shown in parts section with the device at the time of order.

MUST specify door height on order line.

Sex Bolts:

Sex Bolts are supplied for center case mounting when device is used with non-reinforced hollow metal doors.

See chart below for quantities.

Application	Device Sex Bolt 425 (Supplied)	Device Sex Bolt 325 (Supplied)
Non-reinforced hollow metal doors - EO (exit only device)	2	2
Non-reinforced hollow metal doors - Device with Trim	2	Not Required

Prices subject to change without notice

3' Devices are priced with standard trim and strikes, 4' add \$19 list, 2' (less label) add \$123 list. Cylinders are not included in the price.

EXIT HARDWARE

Wood Door Concealed Vertical Rod Devices
(Includes Strikes 4188 and 2130)

	Trim/Control	US28	US32D	313AN	US19* US26D	US26	US32	US10	US4	US3 643E* US15*
* 24-CWDC-EO		1932	2413	2052	2362	2458	2507	2458	2507	2651
Delta Trim (handed and field reversible)										
24-CWDC-DT	717DT	2116	2677	2278	2626	2722	2771	2642	2691	2915
24-CWDC-DT	718DT	2287	2697	2255	2646	2742	2791	2813	2862	2935
* 24-CWDC-NL	718NL*	2116	2677	2278	2626	2722	2771	2642	2691	2915
* 24-CWDC-C	718C*	2075	2616	2236	2565	2661	2710	2601	2650	2854
Knob Control (handed and field reversible)										
24-CWDC-K	711K	2104	2728	2302	2677	2773	2822	2630	2679	2966
24-CWDC-K-BE	711K-BE	2104	2728	2302	2677	2773	2822	2630	2679	2966
24-CWDC-K-NL	711K-NL	2104	2728	2302	2677	2773	2822	2630	2679	2966
Dane Lever Control (handed and field reversible)										
* 24-CWDC-L	712L*	2278	2801	2415	2750	2846	2895	2804	2853	3039
* 24-CWDC-L-BE	712L-BE*	2278	2801	2415	2750	2846	2895	2804	2853	3039
* 24-CWDC-L-NL	712L-NL*	2278	2801	2415	2750	2846	2895	2804	2853	3039
* 24-CWDC-L-DT	712L-DT*	2278	2801	2415	2750	2846	2895	2804	2853	3039

* These devices and 712L, 712L-BE, 712L-NL, 712L-DT, 718C, 718NL trims are available in 643E, US15 and US19 finishes.

REFERENCE NOTES:

24 Series ordered in 313AN will be supplied with trims in SP313.

Handing: All 24-CWDC Devices and Trims are handed and field reversible. The Device and Trims are furnished RHR when handing is not specified.

Extension Rods: For door heights over 7'0" up to 8'0", 12" extension rods are furnished at no additional charge at the time of device order. For door heights over 8'0" up to 10'0" extension rods are furnished at prices shown in parts section with the device at the time of order. MUST specify door height on order line.

Sex Bolts:

Optional Sex Bolts are recommended for center case when device is used with hollow core or composite doors. See chart below for quantities and list prices.

Application	Device Sex Bolt 425 (Optional)	Device Sex Bolt 325 (Optional)	List Add
Hollow core or composite doors - EO (exit only device)	2	2	52
Hollow core or composite doors - Device with Trim	2	Not Required	26

Prices subject to change without notice

EXITS

Pushpads

Architectural /
Heavy Duty

24 Series

3' Devices are priced with standard trim and strikes, 4' add \$19 list, 2' (less label) add \$123 list. Cylinders are not included in the price.

FIRE EXIT HARDWARE

Wood Door Concealed Vertical Rod Devices

(Includes Strikes 4188 and 2130)

	Trim/Control	US28	US32D	313AN	US19*			US10	US4	US3
					US26D	US26	US32			643E*
* F-24-CWDC-EO		2125	2606	2245	2555	2651	2700	2651	2700	2844
Delta Trim (handed and field reversible)										
F-24-CWDC-DT	717DT	2309	2870	2471	2819	2915	2964	2835	2884	3108
F-24-CWDC-DT	718DT	2480	2890	2448	2839	2935	2984	3006	3055	3128
* F-24-CWDC-NL	718NL*	2309	2870	2471	2819	2915	2964	2835	2884	3108
* F-24-CWDC-C	718C*	2268	2809	2429	2758	2854	2903	2794	2843	3047
Knob Control (handed and field reversible)										
F-24-CWDC-K	711K	2297	2921	2495	2870	2966	3015	2823	2872	3159
F-24-CWDC-K-BE	711K-BE	2297	2921	2495	2870	2966	3015	2823	2872	3159
F-24-CWDC-K-NL	711K-NL	2297	2921	2495	2870	2966	3015	2823	2872	3159
Dane Lever Control (handed and field reversible)										
* F-24-CWDC-L	712L*	2471	2994	2608	2943	3039	3088	2997	3046	3232
* F-24-CWDC-L-BE	712L-BE*	2471	2994	2608	2943	3039	3088	2997	3046	3232
* F-24-CWDC-L-NL	712L-NL*	2471	2994	2608	2943	3039	3088	2997	3046	3232
* F-24-CWDC-L-DT	712L-DT*	2471	2994	2608	2943	3039	3088	2997	3046	3232

* These devices and 712L, 712L-BE, 712L-NL, 712L-DT, 718C, 718NL trims are available in 643E, US15 and US19 finishes.

REFERENCE NOTES:

24 Series ordered in 313AN will be supplied with trims in SP313.

Handing: All F-24-CWDC Devices and Trims are handed and field reversible. The Device and Trims are furnished RHR when handing is not specified.

Extension Rods: For door heights over 7'0" up to 8'0", 12" extension rods are furnished at no additional charge at the time of device order.

For door heights over 8'0" up to 10'0" extension rods are furnished at prices shown in parts section with the device at the time of order.

MUST specify door height on order line.

Sex Bolts:

Sex Bolts are supplied for center case mounting when device is used with hollow core or composite doors. See chart below for quantities.

Application	Device Sex Bolt 425 (Supplied)	Device Sex Bolt 325 (Supplied)
Hollow core or composite doors - EO (exit only device)	2	2
Hollow core or composite doors - Device x Trim	2	Not Required

Prices subject to change without notice

Cylinder Dogging

Not for use with Fire Exit Hardware

Prefix		List Add
CD	Cylinder Dogging available on all 24 series Panic Devices.	64
LD	Less Dogging available on all 24 series Panic Devices.	N/C

Less Bottom Rod

Suffix		List Add
LBR	Less Bottom Rod available with UL Fire Label at no additional charge on F-24-V and F-24-C devices. Fire rated LBR devices must be ordered in pairs of Vertical Rod Devices. For Fire Rated Devices specify one device LBR and second device LBR-AFL. Second device provided with a Fire Pin.	N/C

Electric Latch Retraction

Prefix		List Add
EL	Electric Latch Retraction - Available on all 24 series Panic and Fire Devices. Electrical Latch cannot be used in combination with CD, EA or KOR options.	789
MEL	Motorized Electric Latch Retraction - Available on all 24 series Panic and Fire Devices. Motorized Electric Latch Retraction cannot be used in combination with AX, HD, CD, EA, or KOR options.	725

REFERENCE NOTE:

PS914 is required for EL operation. See Power Supply section for more detail.

Device Monitoring

Prefix		List Add
RX	Touch Bar Request to Exit Switch available on all 24 series devices. RX device monitoring switch can be used in combination with a second DM or LM switch (except for 24-R panic and fire).	207
KOR	Key Override - Override device monitoring on a door by use of a keyed cylinder. KOR must be used in combination with a device monitoring switch.	58

Exit Alarm

Prefix		List Add
EA	Exit Alarm available on 24R, 24V, 24C, and 24C-WDC Panic and Fire Devices. Price includes switch - "RX" is standard, "DC" is optional at no charge. To order "Less Switch", Deduct \$207 list.	513

Allegion Connect

Suffix		List Add
CON	Cross-category solution using common interconnect components for electrified options. Available with MEL, MEL-RX, EL, RX, EA, EL-RX , options.	N/C

NOTE: For wire harness options refer to Power Supply and Electronic Component Section.

EXITS

Pushpads

Architectural / Heavy Duty

24 Series

Prices subject to change without notice

Cylinders are not included in price unless noted.

Athena Trim

Model No.	Device Type	Description	US4, US10, SP28	SP313	US15	US3, US26 US26D
715DT	R, V	Dummy Trim	127	234	234	234

Control Trim

Model No.	Device Type	Description	US4, US10, SP28	SP313	US3, US15, US26, US26D,
711K	R, V	Knob, Key Locks or Unlocks	172	250	315
711K	C	Knob, Key Locks or Unlocks	172	250	315
711K-BE	R, V	Knob, Blank Escutcheon	172	250	315
711K-BE	C	Knob, Blank Escutcheon	172	250	315
711K-NL	R, V	Knob, Night Latch	172	250	315
711K-NL	C	Knob, Night Latch	172	250	315

711 series trim are handed and field reversible. Trims are furnished RHR when handing is not specified.

Delta Controls

Model No.	Device Type	Description	US4, US10, SP28	SP313	US3, US15, US19, US26, US26D
717DT	R, V	Dummy Trim	184	226	264
717DT	C	Dummy Trim	184	226	264

717 series trim are handed and field reversible. Trims are furnished RHR when handing is not specified.

Delta Controls

Model No.	Device Type	Description	US4, US10, SP28	SP313	US3, 643E* US15, US19*, US26 US26D
718DT	C	Dummy Trim	355	203	284
718NL*	R, V	Night Latch	184	226	264
718NL*	C	Night Latch	184	226	264
718C*	R, V	Night Latch Less Pull	143	184	203
718C*	C	Night Latch Less Pull	143	184	203

*** Available in 643E and US19.**

718 series trim are handed and field reversible. Trims are furnished RHR when handing is not specified.

Control Lever Trims

Model No.	Device Type	Description	US4, US10, SP28	SP313	US3, 643E* US15, US19*, US26 US26D
712L*	R, V	Dane Lever, Key Locks or Unlocks	346	363	388
712L*	C	Dane Lever, Key Locks or Unlocks	346	363	388
712L-BE*	R, V	Dane Lever, Blank Escutcheon	346	363	388
712L-BE*	C	Dane Lever, Blank Escutcheon	346	363	388
712L-NL*	R, V	Dane Lever, Night Latch	346	363	388
712L-NL*	C	Dane Lever, Night Latch	346	363	388
712L-DT*	R, V	Dane Lever, Dummy Trim	346	363	388
712L-DT*	C	Dane Lever, Dummy Trim	346	363	388

*** Available in 643E and US19.**

712 series trim are handed and field reversible. Trims are furnished RHR when handing is not specified.

The Dane Lever is furnished standard. Optional lever designs Sutro, Quantum, Avalon, Danish, Broadway, Boardwalk, Longitude, and Latitude are available at no additional charge.

24 Series ordered in US32D will be supplied with trims in US15.

Prices subject to change without notice

Rim Strikes

Model	Description	Unfinished	US19	US26D	US32D	US4	US10	SP313	US10B	US3	US26	US32
264	24/25-R Panic Devices - Opt.	-	104	121	-	-	-	-	-	-	-	-
299	24/25-R Panic Devices - Std.	-	63	75	-	75	-	75	-	98	98	-
299F	24/25-R Fire Devices - Std.	-	79	-	105	123	123	-	123	141	-	141
1439	24/25-R Panic Devices - Opt.	-	151	-	-	-	-	-	-	-	-	-
1606	24/25-R Panic Devices - Opt.	75	-	-	-	-	-	-	-	-	-	-
1609-D24	24-R Panic Devices - Opt. Must be used with a Coordinator. Not a UL fire exit hardware listed application.	-	104	-	-	-	-	-	-	-	-	-

Vertical Rod Top Strikes

Model	Description	Unfinished
3788	19/24/25/XX-V Panic and Fire Devices	54
4188	24/25/XX-C,CWDC Panic and Fire Devices	54

Vertical Rod Bottom Strikes

Model	Description	Unfinished
2130	19-V/24/25/XX-V,C Panic or Fire - Std.	54
4155	19-V/24/25/XX-V,C Panic	54

REFERENCE NOTES:

Refer to device catalogs for specific door application strike requirements.

EXITS

Pushpads

Architectural / Heavy Duty

24 Series

Prices subject to change without notice

Cover Plates & Filler Plates

Model No.	Description	Unfinished
3722	Strike cover - ASA 4-7/8"	12
3723	Mortise front - 8" x 1-1/4"	12
3721	Lock front - 2-1/4" x 1-1/8"	12

Cylinders

Model No.	Description	US26D	US3, US4, US10, US10B US32, US32D
985	1-1/8" Mortise Cylinder with Straight Cam #24	63	65
986	1-1/4" Mortise Cylinder with Straight Cam #24	63	65
951	Rim Cylinder	63	65
C987	1-3/8" Interchangeable Core Mortise Cylinder Housing	39	41
C953	Interchangeable Core Rim Cylinder Housing	41	43

REFERENCE NOTES:

Interchangeable Core Cylinder Housing uses #5 cam.
 Custom Keying not available. Falcon G - default keyway.
 Cylinder type needed is determined by trim function.
 IC Cylinder Housings sold LESS SFIC

Cylinder Dogging Kits

Model No.	Description	Part No.	US3, US4, US10, US26, US26D, US28, US32D, 313AN
24CDK-3	24 Series - 3' device	650155	64
24CDK-4	24 Series - 4' device	650156	64

REFERENCE NOTES:

Cylinder Sold Separately.

When a device is ordered "with CD with Cylinder" a 1-1/4" mortise cylinder (986 Falcon G x straight cam KD) is supplied for CD.
 CD Kits can also pair with a 1-1/8" mortise cylinder (985 Falcon G x straight cam KD). Must be ordered separately.

Prices subject to change without notice

Dummy Touch Bars

3' Device pricing below, 4' add \$19 list.

Model No.	Description	SP28 SP313	US4 US10	US32D	US3, US32, US15, US19, 643e, US26, US26D
250DT	24/25 Series Dummy Touch Bar	341	378	430	490
Optional Features:					
Prefix					List Add
RX	Touchbar Request to Exit Switch - For D250 only				207
KOR	Key Override device monitoring on a door by use of a keyed cylinder - For D250 only				58

Extension Rods

Part No.	Description	All Finishes
650006	24/25/19/XX-V Extension Rod 12" (ER12-V)	22
650007	24/25/19/XX-V Extension Rod 24" (ER24-V)	38
650008	24/25/19/XX-V Extension Rod 36" (ER36-V)	62
650017	24/25/XX-C, CWDC Extension Rod 12" (ER12-C)	22
650018	24/25/XX-C, CWDC Extension Rod 24" (ER24-C)	38
650019	24/25/XX-C, CWDC Extension Rod 36" (ER36-C)	62

REFERENCE NOTES:

- 1) Surface Vertical and Concealed Vertical Rod Devices for door heights over 7'0" up to 8'0", 12" extension rods are furnished at no additional charge at the time of device order. Must specify door height on order line.
- 2) For door heights over 8'0" up to 10'0" extension rods are furnished at prices shown above with the device at the time of order. MUST specify door height on order line.
- 3) Replacement extension rods can be ordered individually by the part numbers listed above.

Electric and Alarm Kits

Model No.	Description	Part #	Part Number w/ Allegion Connect (-CON)	US3, US4, US10, US19, US26, US26D, US28, US32D, 313AN
24-EAK-3	24 Series Exit Alarm Kit 3'	650163	650704	513
24-EAK-4	24 Series Exit Alarm Kit 4'	650164	650705	513

Model No.	Description	Part #	US3, US4, US10, US19, US26, US26D, US32D, SP28, SP313
ELK-3	24/25 Electric Latch Retraction Kit 3'	650147	789
ELK-4	24/25 Electric Latch Retraction Kit 4'	650148	789

Model No.	Description	Part #	Part Number w/ Allegion Connect (-CON)	US3, US4, US10, US26, US26D, US28, US32D, SP313
24-MELK-3	24 Motorized Electric Latch Retraction Kit 3'	47266632	47270548	725
24-MELK-4	24 Motorized Electric Latch Retraction Kit 4'	47266633	47270549	725

NOTE: MEL kit cannot be used to convert an EL device.

Model No.	Description	Part #	Unfinished
24/25 RX KIT	24/25 Series RX Switch Kit	650359	255

Prices subject to change without notice

EXITS

Pushpads

Architectural /
Heavy Duty

24 Series

Shim Kits

Model No.	Description	Part #	US19
SK24-R	24 Rim Shim Kit - 1/4"	650109	68
SK24-V-8	24 Surface Vertical Shim Kit - 1/4" - over 7' up to 8' doors	650110	68
SK24-V-10	24 Surface Vertical Shim Kit - 1/4" - over 8' up to 10' doors	650208	68

REFERENCE NOTES:

All shim kits for use on door thicknesses up to 2". Consult factory for door thickness over 2"

SLM Blocking

For use with devices on doors with special high density blocking material. Blocking material must be UL or Warnock Hersey approved.

Model No.	Description	Part #	Unfinished
F-24-R/C	F-24 Rim/Concealed Vertical SLM Blocking Kit	600333	19
F-24-V	F-24 Surface Vertical SLM Blocking Kit	600334	21

Prices subject to change without notice

(F) 24 Exit Devices

Part No.	Description	Unfinished	US28	US32D	313AN	US26D	US10	US4	US3	US19
							US26 US32			
650234	(F) 24-R Center Case Kit	624.00	-	-	-	-	-	-	-	-
650236	(F) 24-V Center Case Kit	260.00	-	-	-	-	-	-	-	-
650238	(F) 24-C Center Case Kit RHR	250.00	-	-	-	-	-	-	-	-
090978	(F) 24-C Center Case Kit LHR	250.00	-	-	-	-	-	-	-	-
650247	24-R Center Case Cover Kit	-	127.00	158.00	136.00	156.00	162.00	167.00	174.00	156.00
650249	F-24-R Center Case Cover Kit	-	127.00	158.00	136.00	156.00	162.00	167.00	174.00	156.00
650251	(F) 24-V Center Case Cover Kit	-	127.00	158.00	136.00	156.00	162.00	167.00	174.00	156.00
650253	(F) 24-C Center Case Cover Kit	-	127.00	158.00	136.00	156.00	162.00	167.00	174.00	156.00
600307	24 Series Center Case Cover Mtg Pkg	-	-	-	12.00	-	12.00	12.00	12.00	-
661408	24 Series Channel 3' Door	-	84.00	104.00	90.00	100.00	104.00	107.00	115.00	-
661409	24 Series Channel 4' Door	-	105.00	134.00	110.00	133.00	136.00	138.00	142.00	-
650121	F-24 Series Channel Cover 3'	-	40.00	40.00	40.00	40.00	40.00	40.00	40.00	-
650122	F-24 series Channel Cover 4'	-	45.00	45.00	45.00	45.00	45.00	45.00	45.00	-
650116	24 Series CD Channel Cover 4'	-	57.00	57.00	57.00	57.00	57.00	57.00	57.00	-
650117	24 Series CD Channel Cover 3'	-	50.00	50.00	50.00	50.00	50.00	50.00	50.00	-
650131	24 Series EA Channel Cover 3'	-	76.00	76.00	76.00	76.00	76.00	76.00	76.00	-
650132	24 Series EA Channel Cover 4'	-	87.00	87.00	87.00	87.00	87.00	87.00	87.00	-
650139	24 Series KOR Channel Cover 3'	-	64.00	64.00	64.00	64.00	64.00	64.00	64.00	-
650140	24 Series KOR Channel Cover 4'	-	68.00	68.00	68.00	68.00	68.00	68.00	68.00	-
650187	24 Series Hex Dogging Kit 3'	-	67.00	67.00	67.00	67.00	67.00	67.00	67.00	67.00
650188	24 Series Hex Dogging Kit 4'	-	71.00	71.00	71.00	71.00	71.00	71.00	71.00	71.00
610480	24 Panic Dogging Housing	19.00	-	-	-	-	-	-	-	-
060109	24 Hex Dogging Key 7/32" (Pkg of 10)	14.00	-	-	-	-	-	-	-	-
650294	24 Channel End Cap Kit 1-3/4" Door	-	32.00	39.00	36.00	38.00	40.00	40.00	42.00	-
650348	24 Channel End Cap Kit 2-1/4" Door	-	32.00	39.00	36.00	38.00	40.00	40.00	42.00	-
600305	24 Series Channel Screw Pkg	16.00	-	-	-	-	-	-	-	-
600310	24 Series Push Bar End Cap Kit	-	36.00	41.00	37.00	40.00	41.00	42.00	46.00	-
600319	24 Series Push Bar Guide Pkg	12.00	-	-	-	-	-	-	-	-
650324	(F) 24-R Mounting Pkg 1-3/4" Door	31.00	-	-	-	-	-	-	-	-
650302	(F) 24-R Mounting Pkg 2-1/4" Door	30.00	-	-	-	-	-	-	-	-
650304	24-V Mounting Pkg 1-3/4" - 2-1/4" Door	45.00	-	-	-	-	-	-	-	-
650325	F-24-V Mounting Pkg 1-3/4" Door	45.00	-	-	-	-	-	-	-	-
650201	F-24-V Mounting Pkg 2-1/4" Door	45.00	-	-	-	-	-	-	-	-
650318	24-C Mounting Pkg 1-3/4" Door	31.00	-	-	-	-	-	-	-	-
650300	24-C Mounting Pkg 2-1/4" Door	31.00	-	-	-	-	-	-	-	-
650317	F-24-C Mounting Pkg 1-3/4" Door	31.00	-	-	-	-	-	-	-	-
650346	F-24-C Mounting Pkg 2-1/4" Door	31.00	-	-	-	-	-	-	-	-
650326	24-CWDC Mounting Pkg 1-3/4" Door	-	-	65.00	65.00	-	-	65.00	-	-
650298	24-CWDC Mounting Pkg 2-1/4" Door	-	-	65.00	65.00	-	-	65.00	-	-
650327	F-24-CWDC Mounting Pkg 1-3/4" Door	65.00	-	-	-	-	-	-	-	-
060111	Cotter Key 1/8" x 1" (Package of 10)	14.00	-	-	-	-	-	-	-	-
600320	EL Solenoid Pkg	186.00	-	-	-	-	-	-	-	-
600321	EL Plunger Solenoid Pkg	70.00	-	-	-	-	-	-	-	-
650359	24/25 Series RX Switch Kit	255.00	-	-	-	-	-	-	-	-
050534	EL Potted Circuit Breaker	314.00	-	-	-	-	-	-	-	-
650265	Exit Alarm Label - Service	10.50	-	-	-	-	-	-	-	-
650716	Old Style Falcon 24 Vertical LM Switch Replacement Kit	248.00	-	-	-	-	-	-	-	-
650713	LM Switch Replacement Kit	213.00	-	-	-	-	-	-	-	-
650712	LM Con Switch Replacement Kit	224.00	-	-	-	-	-	-	-	-
650717	Old Style Falcon 24 Vertical DM Switch Replacement Kit	255.00	-	-	-	-	-	-	-	-
650715	DM Switch Replacement Kit	224.00	-	-	-	-	-	-	-	-
650714	DM Con Switch Replacement Kit	234.00	-	-	-	-	-	-	-	-
114320	MEL motor cable	12.00	-	-	-	-	-	-	-	-
47269206	MEL motor cable with 6' cable	60.00	-	-	-	-	-	-	-	-
106198	MEL 6" Allegion Connect adapter cable	12.00	-	-	-	-	-	-	-	-
040069	MEL motor cable with MEL 6" Allegion Connect adapter cable	60.00	-	-	-	-	-	-	-	-
47270298	25 Series 3' MEL channel cover plate	-	110.00	110.00	110.00	110.00	110.00	110.00	110.00	110.00
47270299	25 Series 4' MEL channel cover plate	-	115.00	115.00	115.00	115.00	115.00	115.00	115.00	115.00
47266852	MEL motor mounting screws, pkg. of 2	20.00	-	-	-	-	-	-	-	-

Prices subject to change without notice

EXITS

Pushpads

Architectural / Heavy Duty

24 Series

(F) 24 Exit Devices - Latches and Rods

Part No.	Description	Unfinished	SP28	US32D	313AN	US26D	US10 US26 US32
650389	24-V Top Latch Case	121.00	-	-	-	-	-
650375	F-24-V Top Latch Case	125.00	-	-	-	-	-
650202	24-V Latch Case Cover Kit	-	70.00	70.00	91.00	91.00	91.00
650336	24-V Latch Case Cover Mounting Pkg	-	4.50	4.50	4.50	4.50	4.50
650311	24-V Rod Guide Kit	-	54.00	57.00	-	68.00	50.00
650387	24-V Bottom Bolt Guide (Latch cover sold separately)	10.50	-	-	-	-	-
4450	24-V Top Rod Kit	-	91.00	91.00	91.00	91.00	91.00
610056	24-V Bottom Rod Kit	-	123.00	123.00	123.00	123.00	123.00
603	24-C, C-WDC Top Latch Case	208.00	-	-	-	-	-
F603	F-24-C Top Latch Case	288.00	-	-	-	-	-
WF603	F-24-CWDC Top Latch Case	288.00	-	-	-	-	-
650339	(F) 24-C, CWDC Top Latch Release Kit	-	40.00	40.00	40.00	40.00	36.00
4567	24-C Bottom Bolt Guide	49.00	-	-	-	-	-
4835	24-CWDC Bottom Bolt Guide	45.00	-	-	-	-	-
4694	F-24-CWDC Latch Bracket	10.50	-	-	-	-	-
650351	(F) 24-C, CWDC Center Slide Assy	300.00	-	-	-	-	-
4833	24-CWDC Reinforcement Plate	-	33.00	44.00	33.00	44.00	44.00
4834	24-CWDC Reinforcement Plate w/ Access Hole	-	33.00	44.00	33.00	44.00	44.00
610061	(F) 24-C, CWDC Top Rod Kit	91.00	-	-	-	-	-
610057	(F) 24-C, CWDC Bottom Rod Kit	123.00	-	-	-	-	-
5494	F-24-C Auxiliary Fire Pin Kit (LBR application only)	156.00	-	-	-	-	-
660002	#10 x 1 1/4" FPHSMS Clear Zinc	2.50	-	-	-	-	-

EXITS

Pushpads

Architectural /
Heavy Duty

24 Series

Prices subject to change without notice

24 Series Trim

Part No.	Description	Unfinished	SP28 SP313	US26D US32D	US10 US26	US4 US32	US3
4120	710NL, 718C/NL Cylinder Spacer Collar	7.50	-	-	-	-	-
4121	710NL, 718C/NL Cylinder Anchor Plate	7.50	-	-	-	-	-
661560	700/900 Locking Plate	19.00	-	-	-	-	-
4270	700 Series Trim Hex Stud	4.50	-	-	-	-	-
4349	Control Hex Stud	5.50	-	-	-	-	-
650314	700/900 Lever Actuator Spring	19.00	-	-	-	-	-
661567	700/900 Locking Spring	3.50	-	-	-	-	-
600288	717/718/719 Pull Grip Screw Pkg	4.50	-	-	-	-	-
650366	TP/K/L Actuator Shaft Assembly	31.00	-	-	-	-	-
650313	710TP Retainer Plate	37.00	-	-	-	-	-
650312	711/712-R/V Retainer Plate	42.00	-	-	-	-	-
060136	700/900 Output Cam Pkg 2-1/4" Dr	42.00	-	-	-	-	-
060137	700/900 Output Cam Pkg 1-3/4" Dr	29.00	-	-	-	-	-
650151	715DT Mtg Pkg 1-3/4"	-	13.00	13.00	13.00	13.00	13.00
650152	715DT Mtg Pkg 2-1/4"	-	13.00	13.00	13.00	13.00	13.00
650153	717DT Mtg Pkg 1-3/4"	-	7.50	7.50	7.50	7.50	7.50
650154	717DT Mtg Pkg 2-1/4"	-	7.50	7.50	7.50	7.50	7.50
650157	710DT Mtg Pkg 1-3/4"	-	7.50	7.50	7.50	7.50	7.50
650158	710DT Mtg Pkg 2-1/4"	-	7.50	7.50	7.50	7.50	7.50
650161	710NL Mtg Pkg 1-3/4"	-	23.00	23.00	23.00	23.00	23.00
650162	710NL Mtg Pkg 2-1/4"	-	23.00	23.00	23.00	23.00	23.00
650165	710TP Mtg Pkg 1-3/4"	-	13.00	13.00	13.00	13.00	13.00
650166	710TP Mtg Pkg 2-1/4"	-	13.00	13.00	13.00	13.00	13.00
650169	718C/NL-R/V Mtg Pkg 1-3/4"	-	13.00	13.00	13.00	13.00	13.00
650170	718C/NL-R/V Mtg Pkg 2-1/4"	-	13.00	13.00	13.00	13.00	13.00
650173	718NL-C Mtg Pkg 1-3/4"	-	31.00	31.00	31.00	31.00	31.00
650174	718NL-C Mtg Pkg 2-1/4"	-	31.00	31.00	31.00	31.00	31.00
650177	718C-CV Mtg Pkg 1-3/4"	-	31.00	31.00	31.00	31.00	31.00
650178	718C-CV Mtg Pkg 2-1/4"	-	31.00	31.00	31.00	31.00	31.00
650181	718DT Mtg Pkg 1-3/4"	-	7.50	7.50	7.50	7.50	7.50
650182	718DT Mtg Pkg 2-1/4"	-	7.50	7.50	7.50	7.50	7.50
650185	718TP Mtg Pkg 1-3/4"	-	7.50	7.50	7.50	7.50	7.50
650186	718TP Mtg Pkg 2-1/4"	-	7.50	7.50	7.50	7.50	7.50
650189	711/712/719 Mtg Pkg 1-3/4"	7.50	-	-	-	-	-
650190	711/712/719 Mtg Pkg 2-1/4"	7.50	-	-	-	-	-
650327	F-24 CWDC SERV Mtg Pkg	65.00	-	-	-	-	-
600339	700/900 NL Spring Pkg	6.50	-	-	-	-	-
600283	Shear Pin, package of 5	10.50	-	-	-	-	-

24 Series Trim

Part No.	Description	Unfinished	SP28	SP313	US26D US32D	US10 US26	US4 US32	US3
600298	Knob Assy	-	140.00	149.00	174.00	179.00	183.00	193.00
600299	Dane Lever Kit	-	104.00	109.00	133.00	135.00	137.00	142.00
600300	Sutro Lever Kit	-	104.00	109.00	133.00	135.00	137.00	142.00
600301	Quantum Lever Kit	-	104.00	109.00	133.00	135.00	137.00	142.00
600337	Avalon Lever Kit	-	167.00	169.00	169.00	231.00	169.00	231.00

Prices subject to change without notice

Part No.	Description	List Price
650277	24/25 Maintenance Kit (See below for what is supplied in Kit)	1,861.00

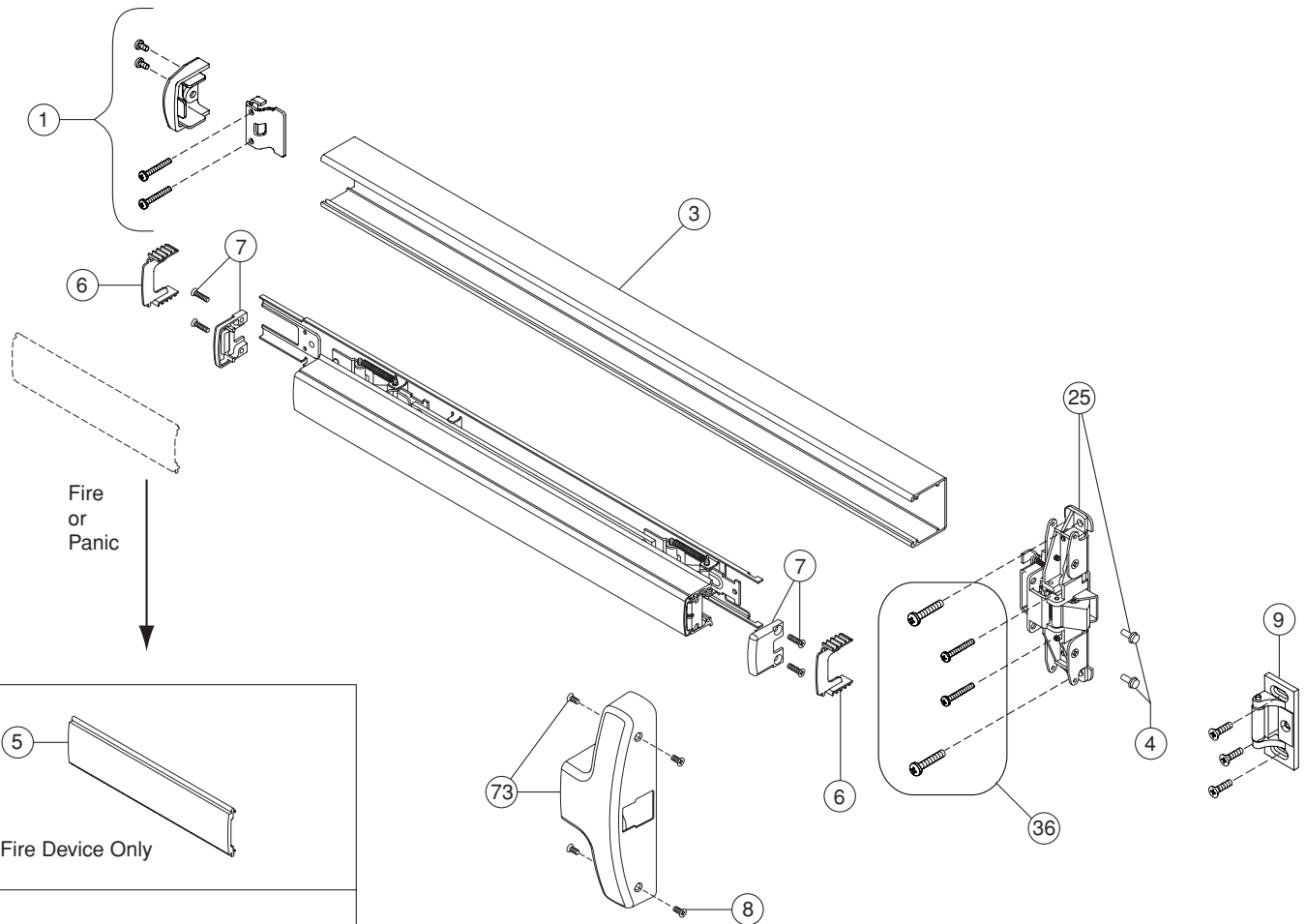
Refill Parts/Packages

Part No.	Description	Refill List Price Each	Kit Contents Qty
299 Strike	299 Strike US19	63.00	5
325 SNB	325 Sex Bolt, 1/4-20 US32D (Pkg of 2)	26.00	10
425 SNB	425 Sex Bolt, 10-24 US32D (Pkg of 2)	26.00	10
4208	CD/EA/KOR Cylinder Retaining Bracket	7.50	30
060126	512/718 Lever Washer (Pkg of 10)	6.50	1
3894-000	Cylinder Nut BRS	4.50	10
650311	Rod Guide Kit US32D	57.00	6
650311	Rod Guide Kit SP28	54.00	2
650311	Rod Guide Kit SP313	57.00	2
060109	Hex Dogging Key 7/32" (Pkg of 10)	14.00	1
650231	512 Mtg Pkg US4 1-3/4" Dr	9.50	2
650231	512 Mtg Pkg US10B 1-3/4" Dr	5.50	2
650231	512 Mtg Pkg US26D 1-3/4" Dr	5.50	6
650294	24/25 End Cap Kit US32D 1-3/4" Dr.	39.00	6
650294	24/25 End Cap Kit US26D 1-3/4" Dr.	38.00	2
650294	24/25 End Cap Kit SP28 1-3/4" Dr.	32.00	1
650294	24/25 End Cap Kit SP313 1-3/4" Dr.	36.00	1
600283	511 Trim Shear Pin (Pkg of 5)	10.50	6
640001	24 Device Plastic Mounting Template	4.50	2
640002	25 Device Plastic Mounting Template	4.50	2
650267	510/513 Trim Shear Pin (Pkg of 10)	25.00	3
060112	8500 Lock Housing Screws (Pkg of 10)	6.50	2
060113	24/25-C Latch Screw (Pkg of 10)	6.50	5
060114	Rod Guide Screws (Pkg of 10)	6.50	3
060119	510/511/512/513 Back Plate Screws (Pkg of 10)	6.50	5
600309	25 Lift Finger Screws (Pkg of 2)	10.50	10
600173	8500 Lock Face Screws US3/US4/US10	4.50	10
600173	8500 Lock Face Screws US26D/US32D	4.50	10
600173	8500 Lock Face Screws US10B	4.50	10
060120	8500 Lock Backplate Screws (Pkg of 10)	6.50	5
060121	24/25-V Latch Cover Screws US26D/US32D/US28 (Pkg of 10)	6.50	5
060121	24/25-V Latch Cover Screws US3/US4/US10 (Pkg of 10)	6.50	5
060121	24/25-V Latch Cover Screws US10B (Pkg of 10)	6.50	5
060123	Electric Option Dogging Screw (Pkg of 10)	6.50	5
060122	K-NL/L-NL Spindle Cam Screw (Pkg of 10)	12.00	2
060124	K/L/TL Trim Lock Nut (Pkg of 10)	6.50	1
600305	24/25 Channel Screw (Pkg of 10)	16.00	3
060111	Cotter Key 1/8" x 1" (Pkg of 10)	14.00	5
600279	Cylinder Nut Tool (Pkg of 5)	21.00	2
060125	FSE/FSE Trim Pivot Pin (Pkg of 10)	6.50	2
600319	24/25 Pushbar Guide (Pkg of 2)	12.00	10
600278	25 Trim Cylinder Locknut	12.00	10
060117	25 Center Case Mtg Screws (Pkg of 10)	6.50	5
060118	24 Center Case Housing Screws (Pkg of 10)	6.50	5
060116	25-R/M Device Mounting Screws (Pkg of 10)	7.50	5
060115	FSA/FSE Trim Screws (Pkg of 10)	6.50	5
600307	24/25 Center Case Cover Screws US3 (Pkg of 4)	12.00	12
600307	24/25 Center Case Cover Screws US4 (Pkg of 4)	12.00	12
600307	24/25 Center Case Cover Screws US10 (Pkg of 4)	12.00	12
600307	24/25 Center Case Cover Screws US10B (Pkg of 4)	12.00	12
600307	24/25 Center Case Cover Screws US26D/US32D/SP28 (Pkg of 4)	12.00	12
600277	510/513 Spindle Cam Ret. Ring (Pkg of 10)	10.50	2
600308	25 Housing Plate Screws (Pkg of 2)	10.50	2
970321	299 Strike Shim	13.00	20

Prices subject to change without notice

(F)24 Rim exit device

Panic and fire

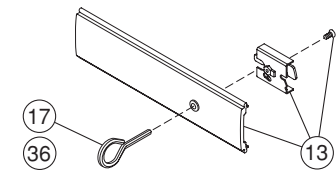
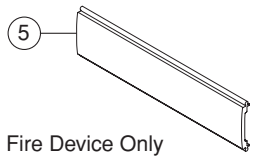


EXITS

Pushpads

Architectural / Heavy Duty

24 Series



Prices subject to change without notice

No.	Qty.	Part no.	Description	Package contents	Notes
1	1	650294	24 Channel Endcap Kit 1¾" Door	1- Channel Endcap	A
				2- #10-24 x ⅜" PPHMS	
				1- Channel Endcap Bracket	
				2- #10-24 x 1" PPHMS	
				2- #10 x 1¼" PPHSMS	
		650348	24 Channel Endcap Kit 2¼" Door	1- Channel Endcap	A
				2- #10-24 x ⅜" PPHMS	
				1- Channel Endcap Bracket	
				2- #10-24 x 1" PPHMS	
				2- #10 x 1¼" PPHSMS	
3	1	661408	24 Channel 3'		A
		661409	24 Channel 4'		
4	1	600305	24 Channel Screw Pkg	10- #10-16 x ½" Hex Washer Head Taptite	
5	1	650121	F-24 Channel Cover 3'		A, B
		650122	F-24 Channel Cover 4'		
6	1	600319	24 Pushbar Guide Pkg	2- Pushbar Guide	
7	1	600310	24 Pushbar Endcap Kit	2- Pushbar Endcap	A
				4- #8-18 x ¾" FPHSMS	
8	1	600307	Center Case Cover Screw Pkg	4- #8-18 x ⅜" UFPHMS	A
9	1	299	299 Strike		C
13	1	650187	24 Hex Dogging Kit 3'	1- Panic Channel Cover	A, B
		650188	24 Hex Dogging Kit 4'	1- Dogging Subassembly 1- #8-32 x ⅜" UFPHMS	
17	1	060109	24 Panic Hex Dogging Key 7/32" package of 10		
25	1	650234	(F)24-R Center Case Kit	2- #10-16 x ½" Hex Washer Head Taptite	
36	1	650324	(F)24-R Mounting Pkg 1¾" Door	2- #10 x 1¼" PPHSMS	*
				2- #14 x 1" PPHSMS	*
				2- 1/4 - 20 x ¾" PPHMS	
				2- 10-24 x 1½" PPHMS	
				1- Dogging Key	
	1	650302	(F)24-R Mounting Pkg 2¼" Door	2- #10 x 1¼" PPHSMS	*
				2- #14 x 1" PPHSMS	*
				2- 1/4 - 20 x 1¼" PPHMS	*
				2- #10-24 x 2" PPHMS	*
73	1	650247	24-R Center Case Cover Kit	1- Center Case Cover	A
		650249	F-24-R Center Case Cover Kit	4- #8-18 x ⅜" UFPHMS	

* Item(s) not shown

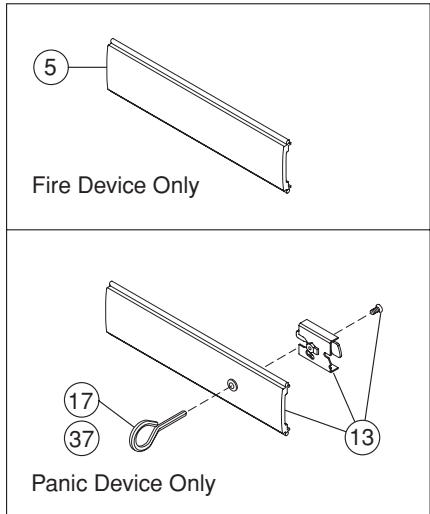
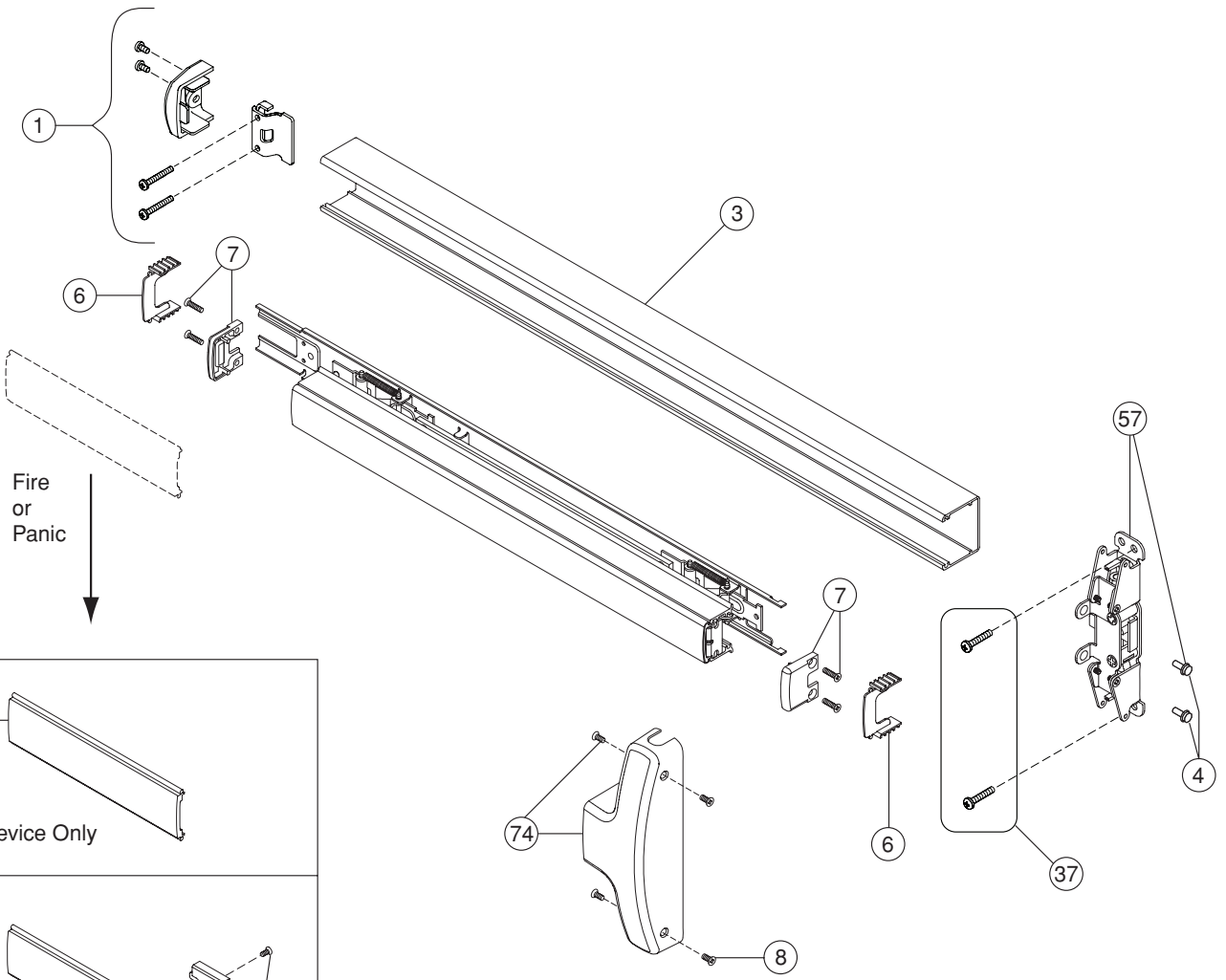
A Specify by finish: US3, US4, US10, 313AN, US26, US32, US26D, US32D, US28

B Specify by finish: US3, US4, US10, US19, US26, US26D, SP313

Prices subject to change without notice

(F)24-V Surface vertical rod exit device

Panic and fire



EXITS
Pushpads
Architectural / Heavy Duty
24 Series

Prices subject to change without notice

No.	Qty.	Part no.	Description	Package contents	Notes
1	1	650294	24 Channel Endcap Kit 1¾" Door	1- Channel Endcap 2- #10-24 x ¾" PPHMS 1- Channel Endcap Bracket 2- #10-24 x 1" PPHMS 2- #10 x 1¼" PPHSMS	A
	1	650348	24 Channel Endcap Kit 2¼" Door	1- Channel Endcap 2- #10-24 x ¾" PPHMS 1- Channel Endcap Bracket 2- #10-24 x 1" PPHMS 2- #10 x 1¼" PPHSMS	
3	1	661408	24 Channel 3'		A
		661409	24 Channel 4'		
4	1	600305	24 Channel Screw Pkg	10- #10-16 x ½" Hex Washer Head Taptite	
5	1	650121	F-24 Channel Cover 3'		A, B
		650122	F-24 Channel Cover 4'		
6	1	600319	24 Pushbar Guide Pkg	2- Pushbar Guide	
7	1	600310	24 Pushbar Endcap Kit	2- Pushbar Endcap	A
				4- #8-18 x ¾" FPHSMS	
8	1	600307	Center Case Cover Screw Pkg	4- #8-18 x ¾" UFPHSMS	A
13	1	650187	24 Hex Dogging Kit 3'	1- Panic Channel Cover 1- Dogging Subassembly	A, B
		650188	24 Hex Dogging Kit 4'	1- #8-32 x ¾" UFPHMS	
17	1	060109	24 Panic Hex Dogging Key 7/32" package of 10		
37	1	650304	24-V Mounting Pkg 1¾" - 2¼" Door	4- #10 x 1¼" PPHSMS	*
				2- #10 x 1¼" FPHSMS	*
				2- #14 x 1" PPHSMS	*
				1- 1/8 x 1" Cotter Key	*
				1- Dogging Key	
		650325	F-24-V Mounting Pkg 1¾" Door	2- #10-24 x ¾" PPHMS	*
				4- #10-24 x ¾" FPHMS	*
				2- 1/4-20 x ¾" PPHMS	
		650201	F-24-V Mounting Pkg 2¼" Door	1- 1/8 x 1" Cotter Key	*
				2- #10-24 x 1¼" PPHMS	*
				4- #10-24 x 1¼" FPHMS	*
				2- 1/4-20 x 1¼" PPHMS	*
				1- 1/8" x 1" Cotter Key	*
57	1	650236	(F)24-V Center Case Kit	1- Center Case	A
				2- #10-16 x ½" Hex Washer Head Taptite	
74	1	650251	(F)24-V Center Case Cover Kit	1- Center Case Cover	A
				4- #8-18 x ¾" UFPHSMS	

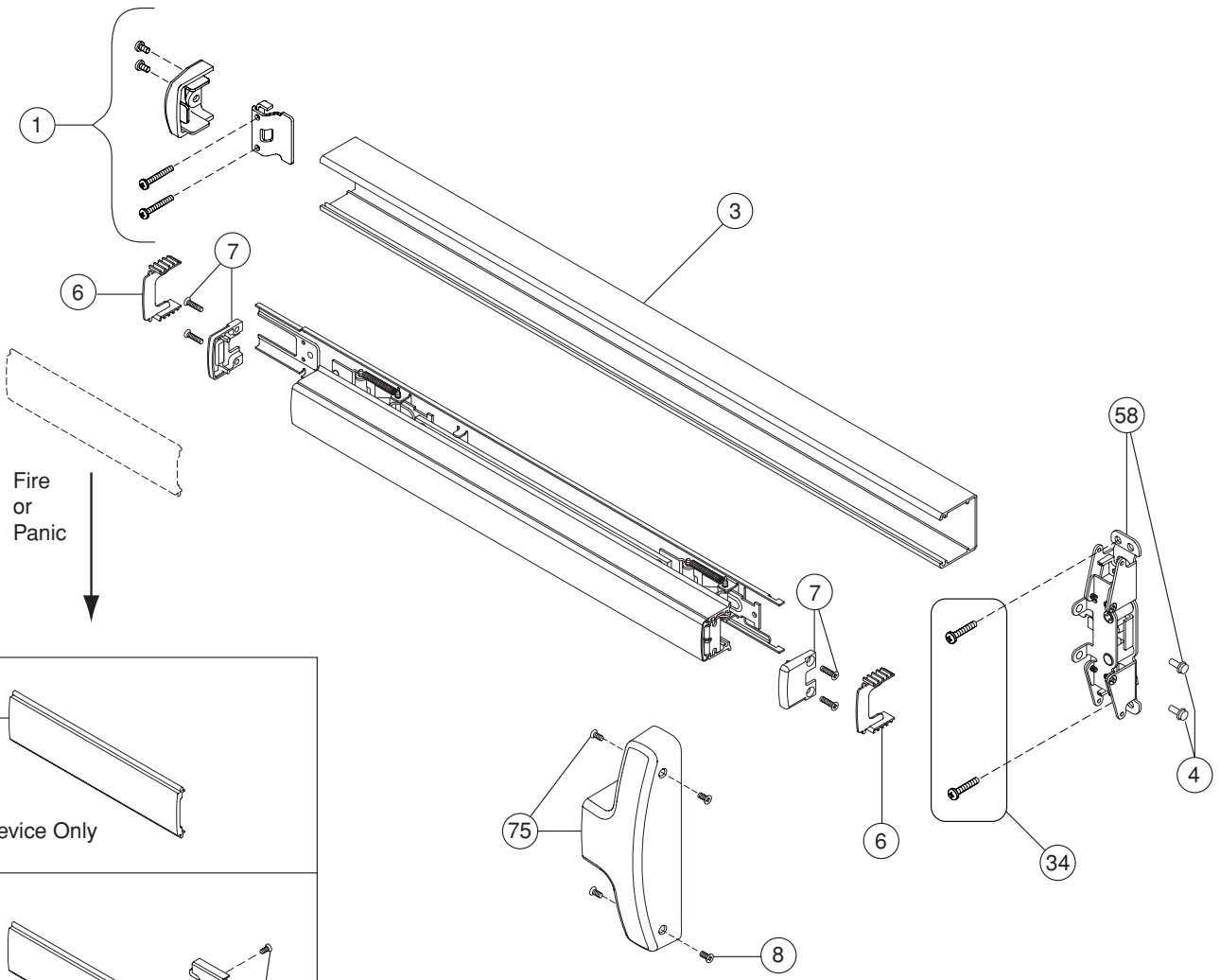
* Item(s) not shown
 A Specify by finish: US3, US4, US10, 313AN, US26, US32, US26D, US32D, US28

Prices subject to change without notice

EXITS
 Pushpads
 Architectural / Heavy Duty
 24 Series

(F)24-C Concealed vertical rod exit device

Panic and fire



EXITS

Pushpads

Architectural / Heavy Duty

24 Series

Prices subject to change without notice

No.	Qty.	Part no.	Description	Package contents	Notes
1	1	650294	24 Channel Endcap Kit 1¾" Door	1- Channel Endcap	A
				2- #10-24 x ¾" PPHMS	
				1- Channel Endcap Bracket	
				2- #10-24 x 1" PPHMS	
				2- #10 x 1¼" PPHSMS	
	1	650348	24 Channel Endcap Kit 2¼" Door	1- Channel Endcap	A
				2- #10-24 x ¾" PPHMS	
				1- Channel Endcap Bracket	
				2- #10-24 x 1" PPHMS	
				2- #10 x 1¼" PPHSMS	
3	1	661408	24 Channel 3'		A
		661409	24 Channel 4'		
4	1	600305	24 Channel Screw Pkg	10- #10-16 x ½" Hex Washer Head Taptite	
5	1	650121	F-24 Channel Cover 3'		A, B
		650122	F-24 Channel Cover 4'		
6	1	600319	24 Pushbar Guide Pkg	2- Pushbar Guide	
7	1	600310	24 Pushbar Endcap Kit	2- Pushbar Endcap	A
				4- #8-18 x ¾" FPHSMS	
8	1	600307	24 Center Case Cover Screw Pkg	4- #8-18 x ¾" UFPHSMS	A
13	1	650187	24 Hex Dogging Kit 3'	1- Panic Channel Cover	A, B
		650188	24 Hex Dogging Kit 4'	1- Dogging Subassembly 1- #8-32 x ¾" UFPHMS	
17	1	060109	24 Panic Hex Dogging Key 7/32" package of 10		
34		Included with C, F-24-C, F-24-CWDC Mounting Packages.			
35					
58	1	650238	(F)24-C Center Case Kit RHR	1- Center Case	
		090978	(F) 24-C Center Case Kit LHR	2- #10-16 x ½" Hex Washer Head Taptite	
75	1	650253	(F)24-C Center Case Cover Kit	1- Center Case	A
				4- #8-18 x ¾" UFPHSMS	

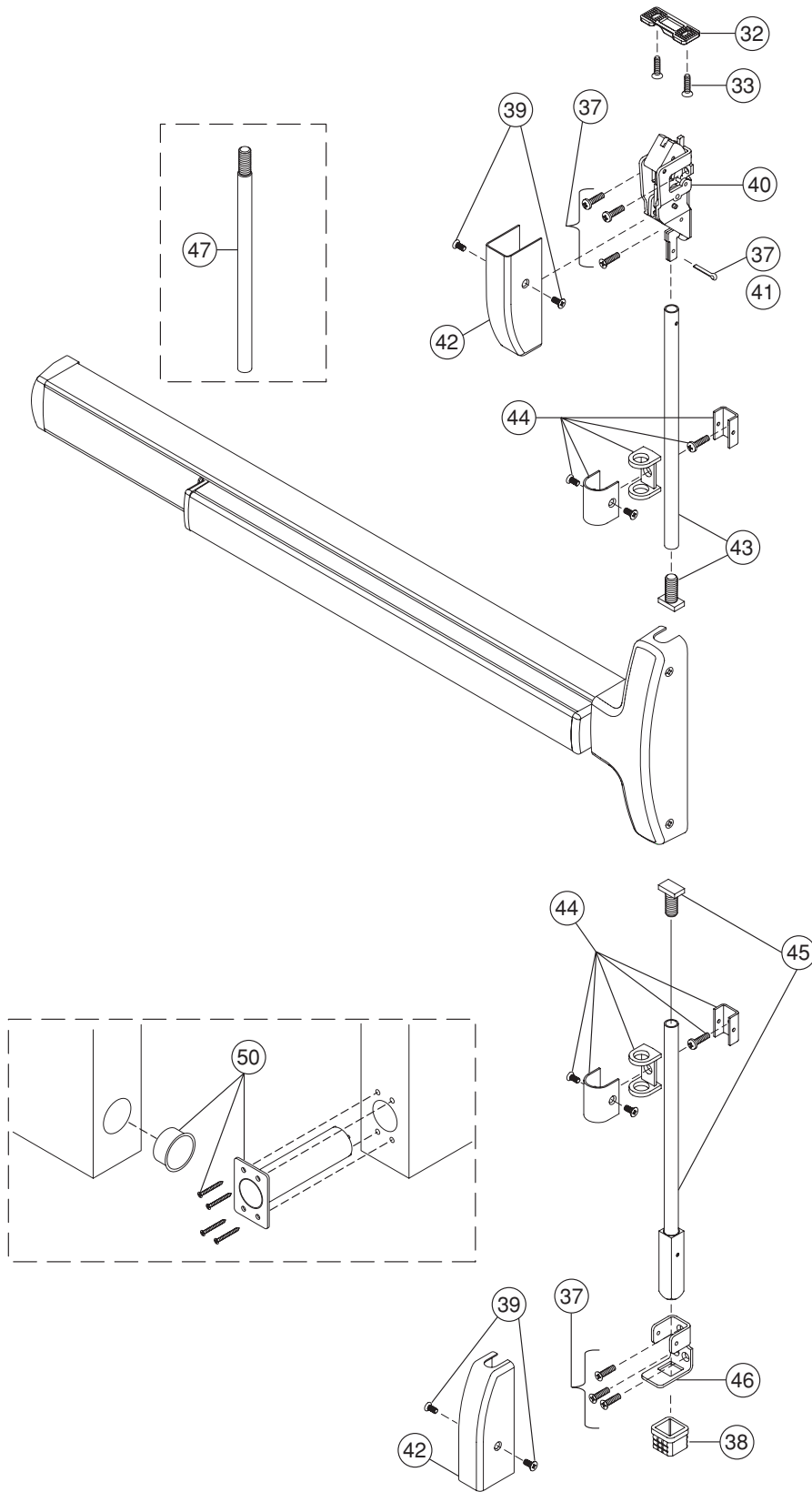
A Specify by finish: US3, US4, US10, 313AN, US26, US32, US26D, US32D, US28

EXITS
 Pushpads
 Architectural / Heavy Duty
 24 Series

Prices subject to change without notice

(F)24-V Surface vertical rods and latches

Panic and fire



EXITS

Pushpads

Architectural / Heavy Duty

24 Series

Prices subject to change without notice

No.	Qty.	Part no.	Description	Package contents	Notes
32	1	3788	Vertical Rod Top Strike		**
33	2	660002	#10 x 1¼" FPHSMS		
37	1	650304	24-V Mounting Pkg 1¾" - 2¼" Door	2- #10 x 1¼" PPHSMS	*
				4- #10 x 1¼" FPHSMS	*
				2- #14 x 1" PPHSMS	*
				1- ⅛ x 1" Cotter Key	
				1- Dogging Key	*
		650325	F-24-V Mounting Pkg 1¾" Door	2- #10-24 x ¾" PPHMS	*
				4- #10-24 x ¾" FPHMS	
				2-1/4-20 x ¾" PPHMS	*
				1- ⅛ x 1" Cotter Key	
		650201	F-24-V Mounting Pkg 2¼" Door	2- #10-24 x 1¼" PPHMS	*
				4- #10-24 x 1¼" FPHMS	*
				2-1/4-20 x 1¼" PPHMS	*
1- ⅛" x 1" Cotter Key					
39	1	650336	24-V Latch Case Cover Screw Pkg	4- #8-32 x ¼" UFPHMS	
40	1	650389	24-V Top Latch Case - Panic		
		650375	24-V Top Latch Case - Fire		
41	1	060111	⅛" x 1" Cotter Key package of 10		
42	2	650202	24-V Latch Case Cover		B
43	1	4450	24-V Top Rod Kit		B
44	2	650311	24-V Rod Guide Kit		C
45	1	610056	24-V Bottom Bolt Kit		B
46	1	650387	24-V Bottom Guide Assembly (screws not included)		
47	1	650006	Vertical Extension Rod 12"		A
		650007	Vertical Extension Rod 24"		
		650008	Vertical Extension Rod 36"		
50	1	5494	F-24-C Auxiliary Fire Pin Kit (Less Bottom Rod applications only)		

- * Item(s) not shown
- ** For Flush Transom applications, specify part number 4215-019 angle bracket
- A Specify by finish: US3, US4, US10, US10B, US32, US32D, SP28, SP313
- B Specify by finish: US3, US4, US10, US26, US26D, US32, US32D, SP28, SP313
- C Specify by finish: US3, US4, US10, US26, US32, US32D, SP28, SP313

Prices subject to change without notice

EXITS

 Pushpads

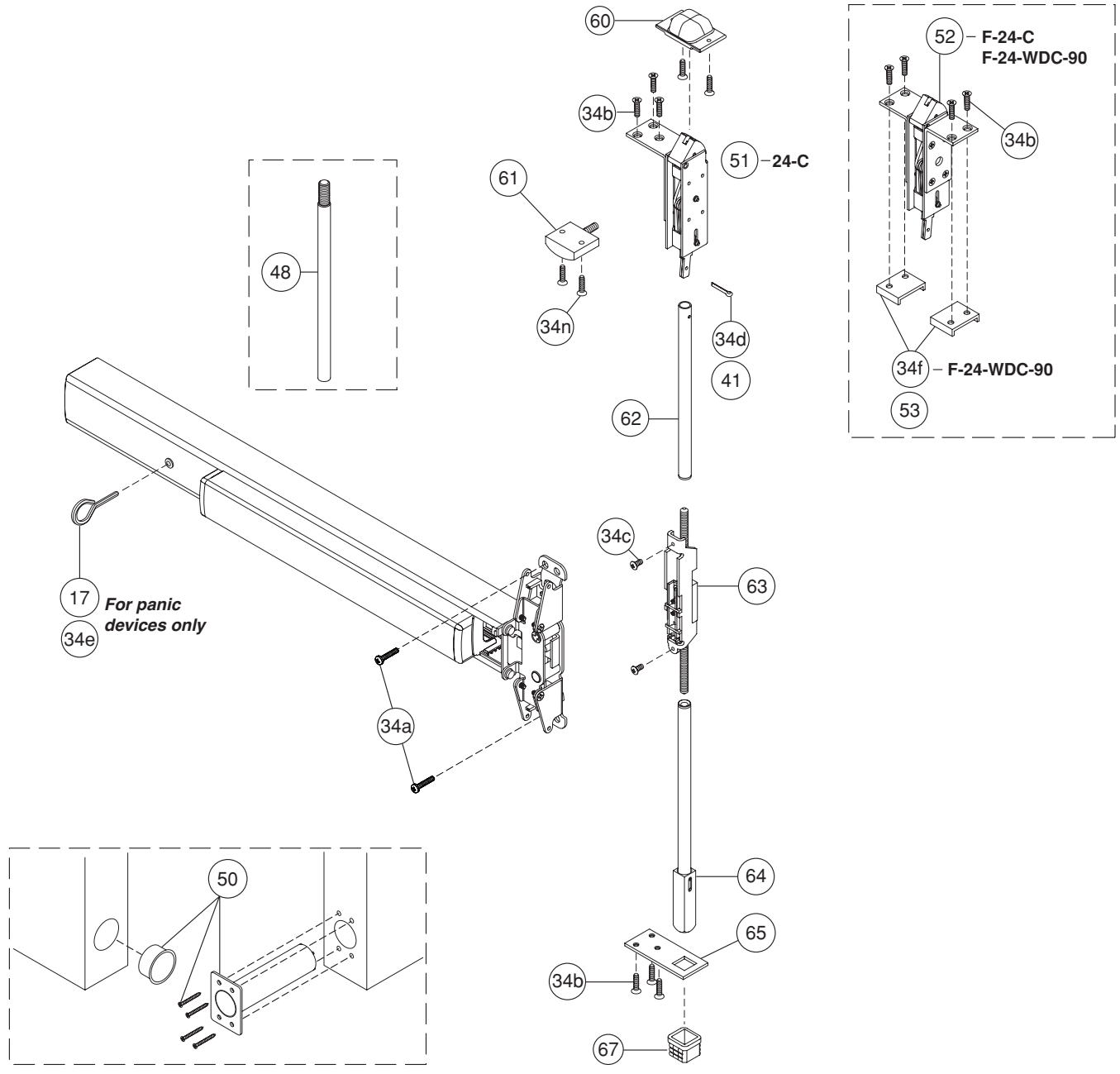
 Architectural / Heavy Duty

 24 Series

(F)24-C and F-24-C-WDC-90 Concealed vertical rods and latches

Metal door—panic and fire, wood door—90 minute fire device

EXITS
Pushpads
Architectural / Heavy Duty
24 Series



No.	Qty.	Part no.	Description	Package contents	Notes
17	1	060109	24 Panic Hex Dogging Key 7/32" package of 10		
34	1	650317	F-24-C Mounting Pkg 1 3/4" Door	34a 8- #10-24 x 3/4" PPHMS 34b 7- #10-24 x 3/4" FPHMS 34c 2- #8-32 x 3/8" UFPHMS 34d 1- 1/8 x 1" Cotter Key — 2- 1/4-20 x 3/4" PPHMS	*

Prices subject to change without notice

Concealed vertical rods and latches **(F)24-C and F-24-C-WDC-90**

No.	Qty.	Part no.	Description	Package contents		Notes
34	1	650318	24-C Mounting Pkg 1¾" Door	34a	8- #10 x 1¼" PPHSMS	
				34b	6- #10-24 x ¾" FPHMS	
				34c	2- #8-32 x ¾" UFPHMS	
				34d	1- ½ x 1" Cotter Key	
				34e	1- Dogging Key	
				—	2- #14 x 1" PPHSMS	*
		650327	F-24-CWDC 90 Minute Mounting Pkg 1¾" Door	34a	4- #10 x 1¼" PPHSMS	
				34b	3- #10 x 1¼" FPHMS	
				34c	2- #8-32 x ¾" UFPHMS	
				34d	1- ½ x 1" Cotter Key	
				34f	2- Latch Bracket	
				—	2- 1/4-20 x ¾" PPHMS	*
		650300	24-C Mounting Pkg 2¼" Door	34a	8- #10 x 1¼" PPHSMS	
				34b	6- #10-24 x 1¼" FPHMS	
				34c	2- #8-32 x ¾" UFPHMS	
				34d	1- ½ x 1" Cotter Key	
				34e	1- Dogging Key	
				—	2- #14 x 1" PPHSMS	*
		650346	F-24-C Mounting Pkg 2¼" Door	34a	8- #10-24 x 1¼" PPHMS	
				34b	7- #10-24 x 1¼" FPHMS	
34c	2- #8-32 x ¾" UFPHMS					
34d	1- ½ x 1" Cotter Key					
—	2- 1/4-20 x 1¼" PPHMS			*		
41	1	060111	½ x 1" Cotter Key package of 10			
48	1	650017	Concealed Vertical Extension Rod 12"			
		650018	Concealed Vertical Extension Rod 24"			
		650019	Concealed Vertical Extension Rod 36"			
50	1	5494	F-24-C Auxiliary Fire Pin Kit (Less Bottom Rod application only)			
51	1	603L	24-C, C-WDC Top Latch Case - LHR			
	1	603R	24-C, C-WDC Top Latch Case - RHR			
52	1	F603	F-24-C, C-WDC Top Latch Case			
53	2	4694	F-24-CWDC Latch Bracket			
60	1	4188	Concealed Vertical Top Rod Strike			
61	1	650339	(F)24-C, CWDC Top Latch Release Kit		A	
62	1	610061	(F)24-C, CWDC Top Rod Kit			
63	1	650351	(F)24-C, CWDC Center Slide Assembly			
64	1	610057	(F)24-C, CWDC Bottom Rod Kit			
65	1	4567	24-C Bottom Bolt Guide			
67	1	2130	Vertical Rod Bottom Strike			

* Item(s) not shown

A Specify by finish: US3, US4, US10, 313AN, US26, US32, US26D, US32D, SP28

Prices subject to change without notice

EXITS

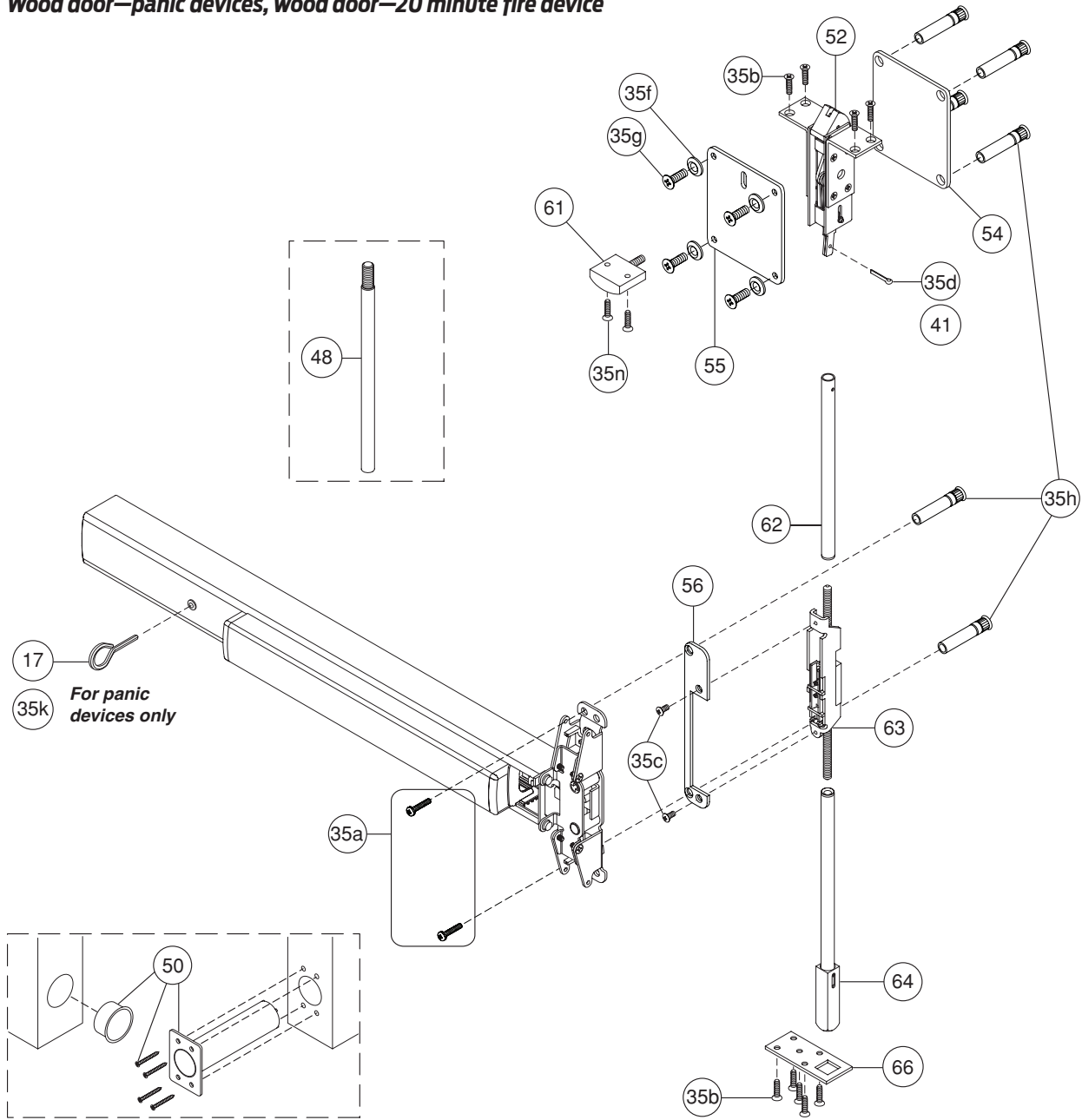
Pushpads

Architectural / Heavy Duty

24 Series

24-C-WDC and F-24-C-WDC-20 Concealed vertical rods latches

Wood door—panic devices, wood door—20 minute fire device



No.	Qty.	Part no.	Description	Package contents	Notes
17	1	060109	24 Panic Hex Dogging Key 7/32" package of 10		
35	1	650326	24-CWDC Mounting Pkg 1 3/4" Door	35a 2- 1/4-20 x 3/4" PPHMS — 4- #10-24 x 1" PPHMS * 35b 11- #10 x 1 1/4" FPHSMS 35c 2- #8-32 x 3/8" UFPHMS — 2- 3/4" CS Plate Mtg Screw * 35d 1- 1/8 x 1" Cotter Key 35f 4- 1/4" CS Finish Washer	A

REFERENCE NOTE:
F-24-C-WDC-20 is no longer available for purchase. Parts listed for installed SERVICE ONLY.

Prices subject to change without notice

EXITS

Pushpads

Architectural / Heavy Duty

24 Series

Concealed vertical rods latches **24-C-WDC and F-24-C-WDC-20**

No.	Qty.	Part no.	Description	Package contents		Notes
35	1	650326	24-CWDC Mounting Pkg 1¾" Door	35g	4- ¼-20 x ¾" FPHMS	A
				35h	6- ¼-20 Sexbolt	
				35k	1- Dogging Key	
				35n	2- #10-24 x ¾" FPHMS	
				—	2- #10-24 x ¾" FPHMS *	
	650327	F-24-CWDC 20 Minute Mounting Pkg 1¾" Door	35a	2- ¼-20 x ¾" PPHMS	A	
			35b	11- #10 x 1¼" FPHSMS		
			35c	2- #8-32 x ¾" UFPHMS		
			35d	1- ⅛ x 1" Cotter Key		
			—	2- ¾" CS Plate Mtg Screw *		
			35f	4- ¼" CS Finish Washer		
			35g	4- ¼-20 x ¾" FPHMS		
			35h	6- ¼-20 Sexbolt		
			—	4- #10-24 x 1" PPHMS *		
			35n	2- #10-24 x ¾" FPHMS		
650298	24-CWDC Mounting Pkg 2¼" Door	35a	2- ¼-20 x 1¼" PPHMS	A		
		—	4- #10-24 x 1" PPHMS *			
		35b	11- #10 x 1¼" FPHSMS			
		35c	2- #8-32 x ¾" UFPHMS			
		—	2- #8-32 x ¾" UFPHMS *			
		35d	1- ⅛ x 1" Cotter Key			
		—	2- ¾" CS Plate Mtg Screw *			
		35f	4- ¼-20 x 1¼" FPHMS			
		35n	2- #10-24 x ¾" FPHMS			
41	1	060111	⅛ x 1" Cotter Key package of 10			
48	1	650017	Concealed Vertical Extension Rod 12"			
		650018	Concealed Vertical Extension Rod 24"			
		650019	Concealed Vertical Extension Rod 36"			
49	1	WF603	F-24-C-WDC Top Latch Case		*	
50	1	5494	F-24-C Auxiliary Fire Pin Kit (Less Bottom Rod application only)			
54	1	4833	Top Reinforcement Plate		A	
55	1	4834	Top Reinforcement Plate with Access Hole		A	
56	1	4832	(F)24-CWDC Center Slide Reinforcement Plate			
61	1	650339	(F)24-C, CWDC Top Latch Release Kit		A	
62	1	610061	(F)24-C, CWDC Top Rod Subassembly			
63	1	650351	(F)24-C, CWDC Center Slide Assembly			
64	1	610057	(F)24-C, CWDC Bottom Rod Kit			
66	1	4835	24-CWDC Bottom Bolt Guide			

* Item(s) not shown

A Specify by finish: US3, US4, US10, 313AN, US26, US32, US26D, US32D, SP28

Prices subject to change without notice

3' Devices are priced with standard trim and strikes, 4' add \$19 list.
Cylinders are not included in price unless noted.



EXIT HARDWARE		SP28	US32D
Rim Devices (Includes F570 Strike)	Trim/Control	SP313	
19-R-EO		287	504
Trident Trim (must specify handing)			
19-R-DT	920DT	325	542
19-R-NL	920NL	354	571
Centron Trim (non-handed)			
19-R-EO	930EO	321	538
19-R-DT	930DT	325	542
19-R-NL	930NL	340	557
19-R-C	930C	334	551
19-R-DT	917DT	317	534
Control Trim (non-handed)			
19-R-DT	918DT	398	707
19-R-NL	918NL	398	707
Knob Control (handed and field reversible)			
19-R-K	911K	398	707
19-R-K-BE	911K-BE	398	707
19-R-K-NL	911K-NL	398	707
Dane Lever Control (handed and field reversible)			
19-R-L	912L	441	741
19-R-L-BE	912L-BE	441	741
19-R-L-NL	912L-NL	441	741
19-R-L-DT	912L-DT	441	741
Key in Lever (handed and field reversible)			
19-R-KIL	914-KIL-KD W/CYL	472	689
19-R-KIL-NL	914-KIL-NL-KD W/CYL	472	689
19-R-KIL-BE	914-KIL-BE	472	689
19-R-KIL-IC	914-KIL-IC W/CYL	515	732

REFERENCE NOTE:

930 series trim is available in SP313 and US32D finish only. 19 series devices order in SP28 paired with 930 trim are supplied with US32D finish trim.

Sex Bolts:

Three 4122 Sex Bolts are supplied standard no charge, one for hinge side mounting and two for center case mounting.

Prices subject to change without notice

EXITS

Pushpads

Commercial / Medium Duty

19 Series

**3' Devices are priced with standard trim and strike, 4' add \$19 list.
Cylinders are not included in the price unless noted.**

FIRE EXIT HARDWARE		SP28	US32D
Rim Devices (Includes F570 Strike)	Trim/Control	SP313	US32D
F-19-R-EO		358	588
Trident Trim (must specify handing)			
F-19-R-DT	920DT	396	626
F-19-R-NL	920NL	425	655
Centron Trim (non-handled)			
F-19-R-EO	930EO	392	622
F-19-R-DT	930DT	396	626
F-19-R-NL	930NL	411	641
F-19-R-C	930C	405	635
F-19-R-DT	917DT	388	618
Control Trim (non-handled)			
F-19-R-DT	918DT	469	791
F-19-R-NL	918NL	469	791
Knob Control (handed and field reversible)			
F-19-R-K	911K	469	791
F-19-R-K-BE	911K-BE	469	791
F-19-R-K-NL	911K-NL	469	791
Dane Lever Control (handed and field reversible)			
F-19-R-L	912L	512	825
F-19-R-L-BE	912L-BE	512	825
F-19-R-L-NL	912L-NL	512	825
F-19-R-L-DT	912L-DT	512	825
Key in Lever (handed and field reversible)			
F-19-R-KIL	914-KIL-KD W/CYL	543	773
F-19-R-KIL-NL	914-KIL-NL-KD W/CYL	543	773
F-19-R-KIL-BE	914-KIL-BE	543	773
F-19-R-KIL-IC	914-KIL-IC W/CYL	586	816

REFERENCE NOTE:

930 series trim is available in SP313 and US32D finish only. 19 series devices order in SP28 paired with 930 trim are supplied with US32D finish trim.

Sex Bolts:

Three 4122 Sex Bolts are supplied standard, one for hinge side mounting and two for center case mounting.

Two 2729 Sex bolts are supplied for additional center case mounting when device is used with wood, composite or non-reinforced hollow metal doors.

Sex Bolt 2729

(Supplied)

Application

Wood, composite or non-reinforced hollow metal doors

2

EXITS
Pushpads
Commercial / Medium Duty
19 Series

Prices subject to change without notice

3' Devices are priced with standard trim and strikes, 4' add \$19 list.
Cylinders are not included in the price unless noted.

EXIT HARDWARE

Surface Vertical Rod Devices
(Includes 3788 and 2130 Strikes)

	Trim/Control	SP28 SP313	US32D
19-V-EO		448	845
Trident Trim (must specify handing)			
19-V-DT	920DT	486	883
19-V-NL	920NL	515	912
Centron Trim (non-handed)			
19-V-EO	930EO	482	879
19-V-DT	930DT	486	883
19-V-NL	930NL	501	898
19-V-C	930C	495	892
19-V-DT	917DT	478	875
Control Trim (non-handed)			
19-V-DT	918DT	559	1048
19-V-NL	918NL	559	1048
Knob Control (handed and field reversible)			
19-V-K	911K	559	1048
19-V-K-BE	911K-BE	559	1048
19-V-K-NL	911K-NL	559	1048
Dane Lever Control (handed and field reversible)			
19-V-L	912L	602	1082
19-V-L-BE	912L-BE	602	1082
19-V-L-NL	912L-NL	602	1082
19-V-L-DT	912L-DT	602	1082
Key in Lever (handed and field reversible)			
19-V-KIL	914-KIL-KD W/CYL	633	1030
19-V-KIL-NL	914-KIL-NL-KD W/CYL	633	1030
19-V-KIL-BE	914-KIL-BE	633	1030
19-V-KIL-IC	914-KIL-IC W/CYL	676	1073

REFERENCE NOTES:

Handing: 19-V devices are handed and field reversible. Devices and Trims are furnished RHR when handing is not specified.

Extension Rods: For door heights over 7'0" up to 8'0", 12" extension rods are furnished at no additional charge at the time of device order. For door heights over 8'0" up to 10'0" extension rods are furnished at prices shown in parts section with the device at the time of order. MUST specify door height on order line.

930 series trim is available in SP313 and US32D finish only. 19 series devices order in SP28 paired with 930 trim are supplied with US32D finish trim.

Sex Bolts:

Three 4122 Sex Bolts are supplied standard no charge, one for hinge side mounting and two for center case mounting.

Six 2729 Sex Bolts are recommended for latch mounting when device is used with hollow core, composite or light gauge hollow metal doors. See chart below for quantities and list prices.

Application	Sex Bolt 2729 (Optional)	List Add
Hollow core, composite or light gauge hollow metal doors	6	60

Prices subject to change without notice

EXITS

Pushpads

Commercial /
Medium Duty

19 Series

**3' Devices are priced with standard trim and strikes, 4' add \$19 list.
Cylinders are not included in the price unless noted.**

FIRE EXIT HARDWARE			
Surface Vertical Rod Devices			
(Includes 3788 and 2130 Strikes)			
	Trim/Control	SP28 SP313	US32D
F-19-V-EO		562	950
Trident Trim (must specify handing)			
F-19-V-DT	920DT	600	988
F-19-V-NL	920NL	629	1017
Centron Trim (non-handed)			
F-19-V-EO	930EO	596	984
F-19-V-DT	930DT	600	988
F-19-V-NL	930NL	615	1003
F-19-V-C	930C	609	997
F-19-V-DT	917DT	592	980
Control Trim (non-handed)			
F-19-V-DT	918DT	673	1153
F-19-V-NL	918NL	673	1153
Knob Control (handed and field reversible)			
F-19-V-K	911K	673	1153
F-19-V-K-BE	911K-BE	673	1153
F-19-V-K-NL	911K-NL	673	1153
Dane Lever Control (handed and field reversible)			
F-19-V-L	912L	716	1187
F-19-V-L-BE	912L-BE	716	1187
F-19-V-L-NL	912L-NL	716	1187
F-19-V-L-DT	912L-DT	716	1187
Key in Lever (handed and field reversible)			
F-19-V-KIL	914-KIL-KD W/CYL	747	1135
F-19-V-KIL-NL	914-KIL-NL-KD W/CYL	747	1135
F-19-V-KIL-BE	914-KIL-BE	747	1135
F-19-V-KIL-IC	914-KIL-IC W/CYL	790	1178

REFERENCE NOTES:

Handing: F-19-V devices are handed and field reversible. Devices and Trims are furnished RHR when handing is not specified.

Extension Rods: For door heights over 7'0" up to 8'0", 12" extension rods are furnished at no additional charge at the time of device order. For door heights over 8'0" up to 10'0" extension rods are furnished at prices shown in parts section with the device at the time of order. MUST specify door height on order line.

930 series trim is available in SP313 and US32D finish only. 19 series devices order in SP28 paired with 930 trim are supplied with US32D finish trim.

Sex Bolts:

Three 4122 Sex Bolts are supplied standard no charge, one for hinge side mounting and two for center case mounting.

Six 2729 are supplied for additional latch case mounting when device is used with wood, composite or non-reinforced hollow metal doors.

Sex Bolt 2729

(Supplied)

Application

Wood, composite or non-reinforced hollow metal doors

6

EXITS

Pushpads

Commercial /
Medium Duty

19 Series

Prices subject to change without notice

Cylinder Dogging

Not for use with Fire Exit Hardware

Prefix		List Add
CD	Cylinder Dogging available on all 19 series Panic Devices.	64
LD	Less Dogging available on all 19 series Panic Devices	N/C

Less Bottom Rod

Suffix		List Add
LBR	Less Bottom Rod available with UL Fire Label at no additional charge on F-19-V devices. Fire rated LBR devices must be ordered in pairs of Vertical Rod Devices. For Fire Rated Devices specify one device LBR and second device LBR-AFL. Second device provided with a Fire Pin.	N/C

* The 19-Series Exit Alarm option has been eliminated. Consult Customer Care for availability and warranty claims.

** (F) 19-V-LBR requires handing

Accessible Device

Suffix		List Add
AX	Accessible device compliant with the California Building Code (Section 11B-309.4) requirement for 5 lb. maximum operational force. Available on 3' and 4' AX-19-R, AX-F-19-R, AX-19-V, AX-F-19-V, AX-19-V-LBR, AX-F-19-V-LBR/LBR-AFL. Trim functions available EO, DT, NL, L, L-BE, L-NL, L-DT, C, KIL, KIL-BE, KIL-NL, and KIL-IC.	25

EXITS

Pushpads

Commercial /
Medium Duty

19 Series

Prices subject to change without notice

Cylinders are not included in price unless noted.

Trident Trim

Model No.	Lever Style	Description	SP28, SP313	US32D
920DT	-	Dummy Trim	38	-
920NL	-	Night Latch	67	-

920 series trim are handed and not field reversible, specify RHR or LHR.

Centron Trim

Model No.	Lever Style	Description	SP28	US32D, SP313
917DT	-	Dummy Trim	30	30
930EO	-	Exit Only	-	34
930DT	-	Dummy Trim	-	38
930NL	-	Night Latch	-	53
930C	-	Night Latch Less Pull	-	47

930 series trim are available in SP313 and US32D finish only.

Control Trim

Model No.	Lever Style	Description	SP28, SP313	US15
918DT	-	Dummy Trim	111	203
918NL	-	Night Latch	111	203
911K	-	Knob, Key Locks or Unlocks	111	203
911K-BE	-	Knob, Blank Escutcheon	111	203
911K-NL	-	Knob, Night Latch	111	203

911 series trim are handed and field reversible. Trims are furnished RHR when handing is not specified.

Lever Trim

Model No.	Lever Style	Description	SP28, SP313	US15
912L	Dane	Lever, Key Locks or Unlocks	154	237
912L-BE	Dane	Lever, Blank Escutcheon	154	237
912L-NL	Dane	Lever, Night Latch	154	237
912L-DT	Dane	Lever, Dummy Trim	154	237

Optional lever designs Quantum and Sutro are available at no additional charge.

912 series trim are handed and field reversible. Trims are furnished RHR when handing is not specified.

Key In Lever Trims

Model No.	Lever Style	Description	US32D, SP313
914KIL-KD	Dane	Key in Lever, with Keyed Different Cylinder	185
914KIL-BE	Dane	Key in Lever, Blank Escutcheon	185
914KIL-NL-KD	Dane	Key in Lever, Night Latch with Cylinder	185
914KIL-IC	Dane	Key in Lever with IC Core Cylinder	228

914 series trim are handed and field reversible. Trims are furnished RHR when handing is not specified.

914 KIL-KD, KIL-NL-KD come standard with a C keyway and 914 KIL-IC come standard with a A keyway.

Consult factory if other keyways are desired to order separately.

Prices subject to change without notice

Rim Strikes

Model	Description	Unfinished	US19	US26D	US32D	SP313
F490	19-R Panic and Fire Devices - Opt.	52	-	-	-	-
565	19-R Panic Devices - Opt.	-	-	52	-	52
F570	19-R Panic and Fire Devices - Std.	-	52	-	-	-
571	19-R Inactive Leaf 2 7/8" backset - Opt.	52	-	-	52	-
571A	19-R Inactive Leaf 2 3/8" backset - Opt.	52	-	-	52	-

Vertical Rod Top Strikes

Model	Description	Unfinished
* 3788	19/24/25/XX-V Panic and Fire Devices	54

* For Flush Transom applications, Specify part number 4215-019 Angle Bracket, **add \$55 List.**

Vertical Rod Bottom Strikes

Model	Description	Unfinished
2130	19-V/24/25/XX-V,C Panic or Fire - Std.	54
4155	19-V/24/25/XX-V,C Panic	54

REFERENCE NOTES:

Refer to device catalogs for specific door application strike requirements.

Prices subject to change without notice

Cover Plates & Filler Plates

Model No.	Description	Unfinished	SP313	US32D
4167	19 TP or DT Controls used on 86 or 161 door preps	–	34	52
4168	19 EO used on 86 door preps	–	34	52
4170	19 K or L Controls used on 86 or 161 door preps	–	34	52
4174	19 Device (push side) used on 86 door preps	–	34	52
3722	Strike cover - ASA 4-7/8"	12	–	–
3723	Mortise front - 8" x 1-1/4"	12	–	–
3721	Lock front - 2-1/4" x 1-1/8"	12	–	–

Cylinders

Model No.	Description	US26D	US4 US10B	US3 US10	US32 US32D
951	Rim Cylinder, Keyed Different	63	65	65	65
986	Threaded 1-1/4" Mortise Cylinder, with Straight Cam Keyed Different	63	65	65	65
985	1-1/8" Mortise Cylinder with Straight Cam	63	65	65	65

REFERENCE NOTES:

Custom keying not available. Falcon G keyway supplied.
Cylinder type determined by trim function.

Cylinder Dogging Kits

Model No.	Description	Part No.	SP28, SP313
19CDK-3	19 Series - 3' device	650060	64
19CDK-4	19 Series - 4' device	650063	64

REFERENCE NOTES:

Cylinder Sold Separately.

When a device is ordered "with CD with Cylinder" a 1-1/4" mortise cylinder (986 Falcon G x straight cam KD) is supplied for CD.
CD Kits can also pair with a 1-1/8" mortise cylinder (985 Falcon G x straight cam KD). Must be ordered separately.

Prices subject to change without notice

Dummy Touch Bars

3' Device pricing below, 4' add \$19 list.

SP28
SP313

Model No.	Description	
190DT	19 Series Dummy Touch Bar	170

Extension Rods

Part No.	Description	All Finishes
650006	24/25/19/XX-V Extension Rod 12" (ER12-V)	22
650007	24/25/19/XX-V Extension Rod 24" (ER24-V)	38
650008	24/25/19/XX-V Extension Rod 36" (ER36-V)	62

REFERENCE NOTES:

- 1) Surface Vertical and Concealed Vertical Rod Devices for door heights over 7'0" up to 8'0", 12" extension rods are furnished at no additional charge at the time of device order. Must specify door height on order line.
- 2) For door heights over 8'0" up to 10'0" extension rods are furnished at prices shown above with the device at the time of order. MUST specify door height on order line.
- 3) Replacement extension rods can be ordered individually by the part numbers listed above.

Shim Kits

Model No.	Description	Part #	US19
SK19-R	19 Rim Shim Kit - 1/4"	650022	68
SK19-V	19 Surface Vertical Shim Kit - 1/4"	650023	68

REFERENCE NOTES:

19 series shim kits for use on door thickness devices less trim. For devices with trim, consult factory. All shim kits for use on door thicknesses up to 2". Consult factory for door thickness over 2"

EXITS

Pushpads

Commercial /
Medium Duty

19 Series

Prices subject to change without notice

(F) 19 Exit Devices

Part No.	Description	Unfinished	SP28		
			SP313	US32D	Black
650307	19-R Center Case	84.00	-	-	-
650374	F-19-R Center Case	104.00	-	-	-
650308	19-V Center Case LHR	73.00	-	-	-
650309	19-V Center Case RHR	73.00	-	-	-
650384	19-R Center Case Cover Kit (w/Screws)	-	-	-	37.00
650385	19-V Center Case Cover Kit (w/Screws)	-	-	-	37.00
650338	19-R Center Case Cover Mounting Pkg	4.50	-	-	-
650334	19-V Center Case Cover Mounting Pkg	4.50	-	-	-
650393	19-V Center Case Retractor Cam	36.00	-	-	-
650390	19-V Drawbar	10.50	-	-	-
650391	19-V Center Case Drawbar Lever	23.00	-	-	-
650392	19-V Center Case Slidebar Lever	14.00	-	-	-
4107	19 Channel 3' Door	-	126.00	328.00	-
4108	19 Channel 4' Door	-	145.00	362.00	-
650297	19 Panic Hex Dogging Kit 4' Door	-	83.00	121.00	-
650303	19 Panic Hex Dogging Kit 3' Door	-	60.00	98.00	-
610480	19 Panic Dogging Housing	19.00	-	-	-
060109	19 Panic Hex Dogging Key 7/32" (Pkg of 10)	14.00	-	-	-
060110	19 Panic Dogging Pin (Pkg of 10)	4.50	-	-	-
650343	19 Channel End Cap Kit (w/Screws)	25.00	-	-	-
650320	19 End Cap Mounting Bracket with SNB	-	10.50	-	-
650328	19-R Mounting Pkg	-	29.00	-	-
650329	F-19-R Mounting Pkg	-	29.00	-	-
650330	19-V Mounting Pkg	-	40.00	-	-
650331	F-19-V Mounting Pkg	-	40.00	-	-
3722	Strike ASA Filler Plate	11.50	-	-	-
660136	8-32 5/16" UFPHMS STL BO NYL	3.50	-	-	-

(F) 19 Exit Devices

Part No.	Description	US32D,	
		SP313	SP28
650360	F-19 Channel Cover Plate 3' Door	41.00	38.00
650361	F-19 Channel Cover Plate 4' Door	46.00	41.00

(F) 19-V Surface Vertical Rod and Latches

Part No.	Description	Unfinished	SP28		
			SP313	US32D	Black
650389	19-V Top Latch Case (Latch cover sold separately)	121.00	-	-	-
650388	19-V Latch Case Cover Kit (w/Screws)	-	-	-	37.00
650337	19-V Latch Cover Mounting Pkg	6.50	-	-	-
650386	Rod Guide Kit (w/Screws)	-	-	-	11.50
610045	Bottom Bolt Assembly	40.00	-	-	-
650387	Bottom Bolt Guide (Latch cover sold separately)	10.50	-	-	-
4286	19 Top Rod	-	71.00	83.00	-
4288	19 Bottom Rod	-	71.00	83.00	-
5494	F-19-V Auxiliary Fire Pin Kit (LBR application only)	156.00	-	-	-
650375	V-F Top Latch Asy Serv PKG	125.00	-	-	-
660002	#10 x 1 1/4" FPHSMS Clear Zinc	2.50	-	-	-

Prices subject to change without notice

Part No.	Description	Unfinished	SP28, SP313 US32D
050526	Cylinder Locknut Package	14.00	-
650314	700/900 Locking Plate	19.00	-
661567	700/900 Locking Spring	3.50	-
4270	900 Series Hex Stud	4.50	-
600315	920/930 Cylinder Anchor	19.00	-
600161	914 Tailpiece Guide Pkg	9.50	-
600346	911/912 Tailpiece Guide Package	9.50	-
661565	700/900 Lever Actuator Spring	3.50	-
4349	Control Hex Stud	5.50	-
650371	Tailpiece Pkg 1 3/4" - Service	6.50	-
600339	700/900 NL Spring Pkg	6.50	-
600283	Shear Pin, package of 5	10.50	-
600166	918NL Cylinder Mounting package	11.50	-
650355	912 Dane Lever	-	92.00
650356	912 Sutro Lever	-	116.00
650358	912 Quantum Lever	-	92.00

EXITS

Pushpads

Commercial /
Medium Duty

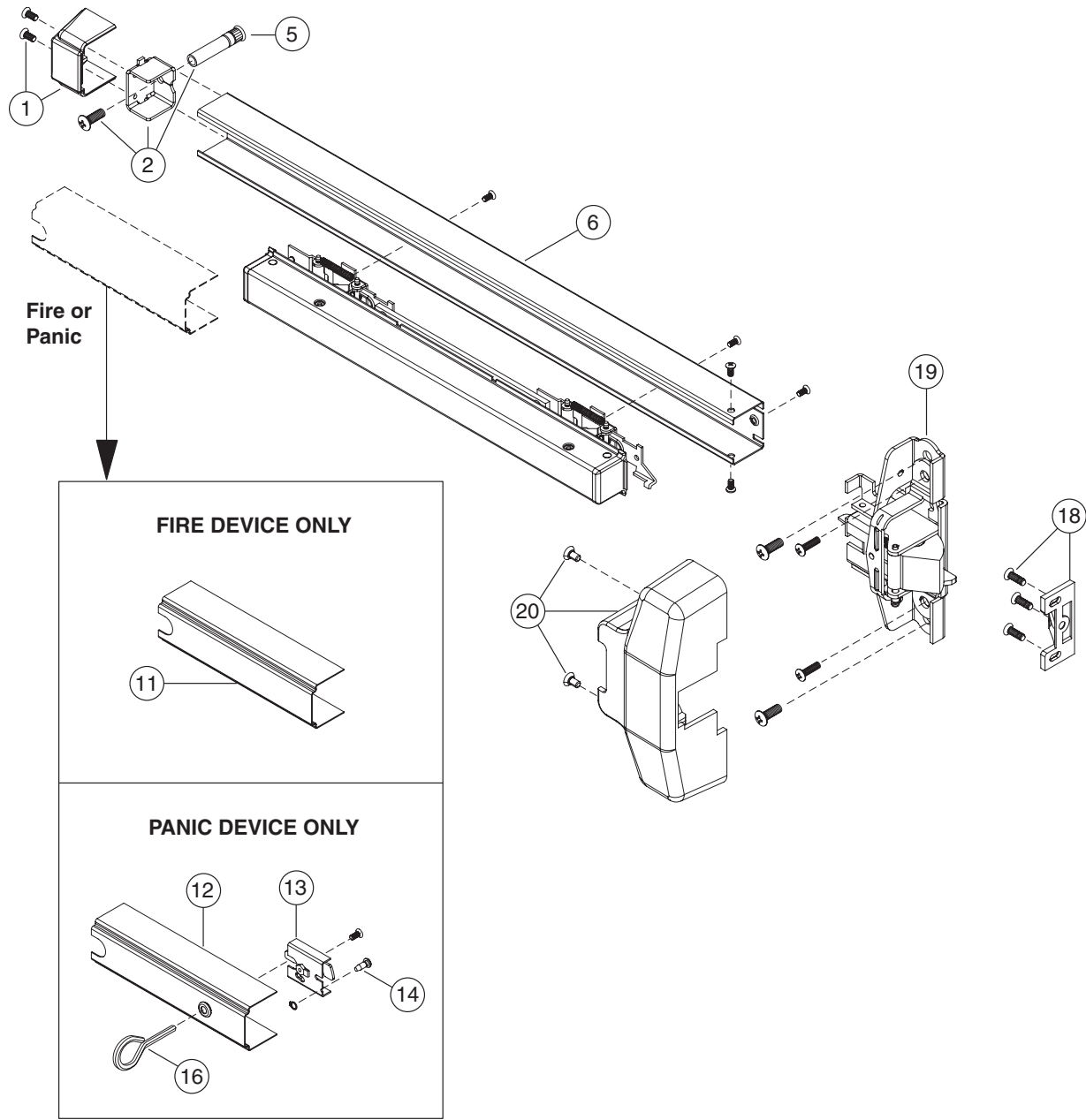
19 Series

Prices subject to change without notice

Prices subject to change without notice

19 and F-19 Rim exit device

Fire and panic



EXITS

Pushpads

Commercial / Medium Duty

19 Series

Prices subject to change without notice

No.	Qty.	Part no.	Description	Notes
1	1	650343	19 Channel End Cap Kit (with screws)	
2	1	650320	19 End Cap Mounting Bracket with SNB	
5	1	4122	Sex Bolt, package of 1, includes machine screw, 1/2 - 20 x 3/4" PPHMS	A
6	1	4107	19 Channel 3' Door	A
	1	4108	19 Channel 4' Door	A
11	1	650360	F-19 Channel Cover Plate 3'	A
	1	650361	F-19 Channel Cover Plate 4'	
12	1	650297	19 Panic Hex Dogging Channel Cover, 4'	A
	1	650303	19 Panic Hex Dogging Channel Cover 3'	A
13	1	610480	19 Panic Dogging Housing	
14	1	060110	19 Panic Dogging Pin (package of 10)	
16	1	060109	19 Panic Hex Dogging Key 7/32" (package of 10)	
18	1	F570	F570 Strike (US19)	
19	1	650307	19-R Center Case Assembly	
		650374	F-19-R Center Case Assembly	
20	1	650384	19-R Center Case Cover Kit (with screws)	
*	1	650328	19-R Mounting Package	
*	1	650329	F-19-R Mounting Package	

* Item(s) not shown

A Specify by finish: US32D or SP28/SP313

Prices subject to change without notice

19-V and F-19-V Surface vertical rod exit device

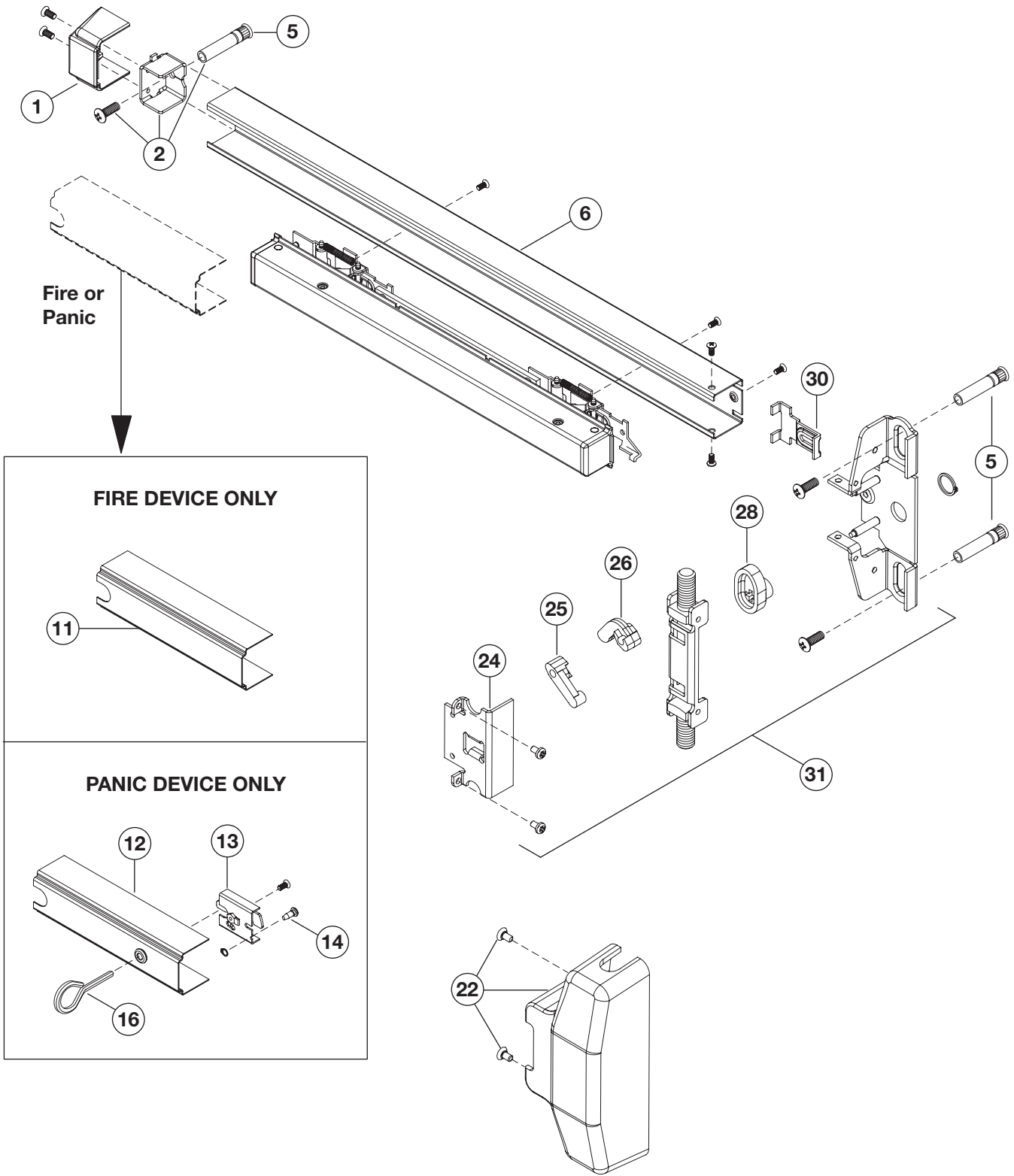
Panic and fire

EXITS

Pushpads

Commercial / Medium Duty

19 Series



Prices subject to change without notice

No.	Qty.	Part no.	Description	Notes
1	1	650343	19 Channel End Cap Kit (with screws)	
2	1	650320	19 End Cap Mounting Bracket with SNB	
5	1	4122	Sex Bolt, package of 1, includes machine screw (1/2 - 20 x 3/4" PPHMS)	A
6	1	4107	19 Channel 3' Door	A
	1	4108	19 Channel 4' Door	A
11	1	650360	F-19 Channel Cover Plate 3'	A
	1	650361	F-19 Channel Cover Plate 4'	A
12	1	650297	19 Panic Hex Dogging Channel Cover 4'	A
	1	650303	19 Panic Hex Dogging Channel Cover 3'	A
13	1	610480	19 Panic Dogging Housing	
14	1	060110	19 Panic Dogging Pin (package of 10)	
16	1	060109	19 Panic Hex Dogging Key 7/32" (package of 10)	
22	1	650385	19-V Center Case Cover Kit (with screws)	
25	1	650392	19-V Center Case Slidebar Lever	
26	1	650391	19-V Center Case Drawbar Lever	
28	1	650393	19-V Center Case Retractor Cam	
30	1	650390	19-V Drawbar	
31	1	650308	19-V Center Case LHR	
	1	650309	19-V Center Case RHR	
*	1	650330	19-V Mounting package	
*	1	650331	F-19-V Mounting package	

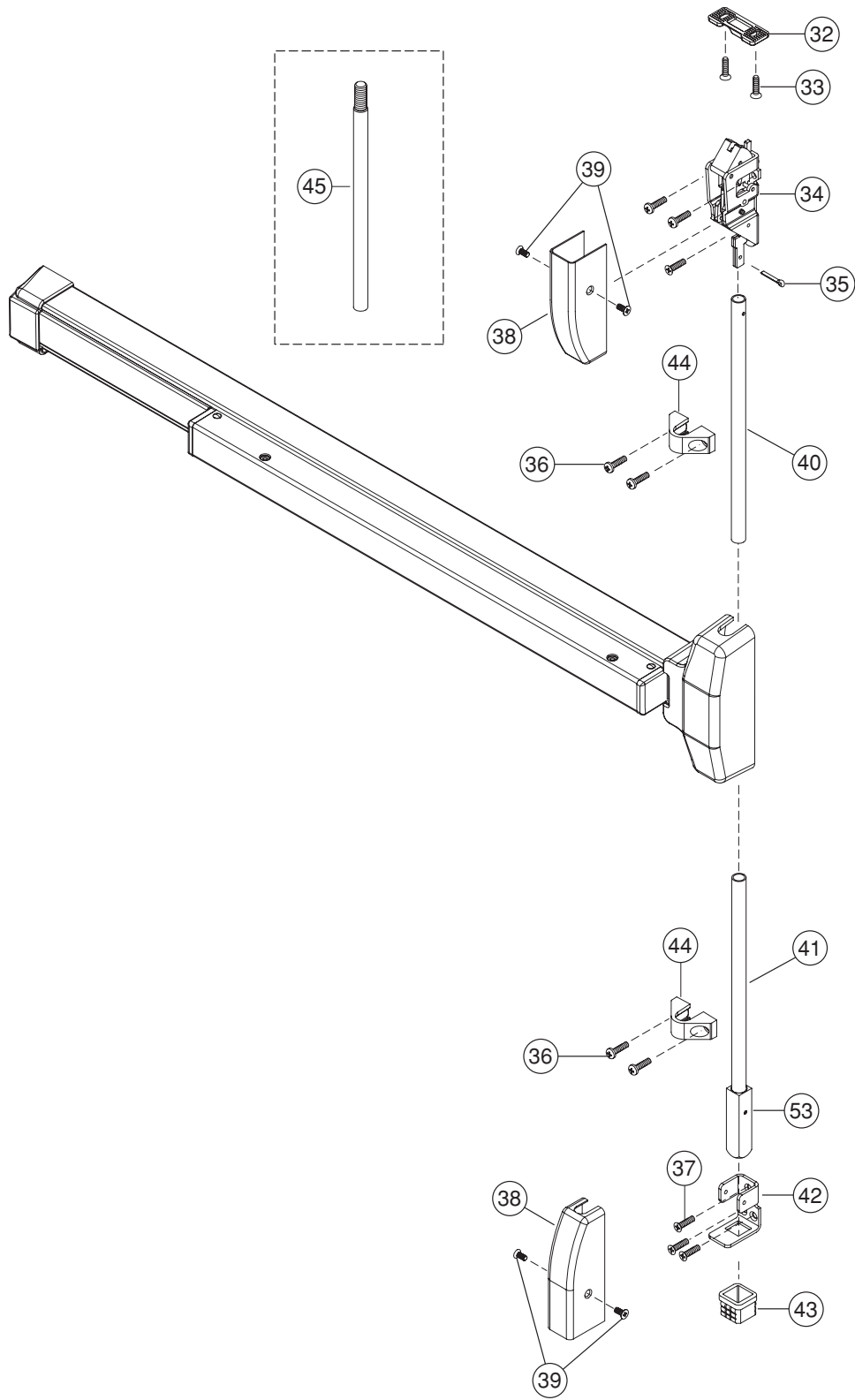
* Item(s) not shown

A Specify by finish: US32D or SP28/SP313

Prices subject to change without notice

19-V and F-19-V Surface vertical rods and latch cases

Panic and fire



EXITS
 Pushpads
 Commercial / Medium Duty
 19 Series

Prices subject to change without notice

No.	Qty.	Part no.	Description	Notes
32	1	3788	Vertical Rod Top Strike	*
33	2	660002	#10 x 1¼" FPHSMS	
34	1	650389	19-V Top Latch Case	
35	1	060111	1/8" x 1" Cotter Key package of 10	
36	1	060114	Rod Guide Screws package of 10	
37	1	060113	Latch Screw package of 10	
38	2	650388	19-V Latch Case Cover Kit (with screws)	A
39	1	650337	19-V Latch Case Cover Mounting package of 4	
40	1	4286	19 Top Rod	
41	1	4288	19 Bottom Rod	
42	1	650387	Bottom Bolt Guide (screws not included)	
43	1	2130	Vertical Rod Bottom Strike	
44	2	650386	Rod Guide Kit (with screws)	
45	1	650006	19/24/25/XX-V Extension Rod 12"	A
45	1	650007	19/24/25/XX-V Extension Rod 24"	A
45	1	650008	19/24/25/XX-V Extension Rod 36"	A
53	1	610045	(F)19-V Bottom Bolt Assembly	

* For Flush Transom applications, specify part number 4215-019 angle bracket

A Specify by finish: US32D or SP28/SP313

Prices subject to change without notice

Falcon 20 Series

Devices

		SP28	US32D
EXIT HARDWARE			
20-R-EO	Rim Device Exit Only 3'	249	440
20-V-EO	Surface Vertical Rod Device Exit Only 3'	382	607
20-R-EO	Rim Device - Exit Only 4'	268	459
20-V-EO	Surface Vertical Rod Device Exit Only 4'	401	626
FIRE EXIT HARDWARE			
F-20-R-EO	Fire Rim Device - Exit Only 3'	311	514
F-20-V-EO	Fire Surface Vertical Rod Device - Exit Only 3'	548	684

Trims

		SP28	US32D
Model No.	Description		
212-L	Escutcheon Lever - Key Locks or Unlocks	154	209
212-L-NL	Escutcheon Lever - Night Latch	154	209
214-KIL	Key in Lever Round Rose - Entrance	185	185
214-KIL-NL	Key in Lever Round Rose - Night Latch	185	185
214-KIL-BE	Key in Lever Round Rose - Passage	185	185
218-NL	Handle Pull Plate - Night Latch	98	139
218-TP	Handle Pull Plate - Thumbpiece	215	226
240-NL	Raised Lip Pull Plate - Night Latch	66	75

EXITS

Pushpads

Commercial /
Medium Duty

20 Series

Prices subject to change without notice

1490 Series

**Devices are priced for 36" x 7',
Aluminum or Hollow Metal Doors.
RL Bottom Latch furnished standard.**
(Price includes PB48 Strike.)



Model No.	US28	DC13, DC35	Standard Trim
1490EO	872	895	-
1491DT	1045	1068	9970 Pull
1492NL-OP	1008	1031	149CA-NL w/Rim Cylinder
1493HB-OP	1008	1031	149CA-HB w/Rim Cylinder
1494NL-P	1181	1204	9970 Pull 149CA-NL w/Rim Cylinder
1495HB-P	1181	1204	9970 Pull 149CA-HB w/Rim Cylinder
1498	610	610	N/A Dummy Touchbar Device

REFERENCE NOTES:

- Specify Handing RHR or LHR. Device furnished RHR when handing is not specified, both RHR and LHR labels are provided.
- Specify if Door Material other than Aluminum.
- Not recommended for use on wood doors.
- Cylinder assembly furnished in DC35 finish, unless specified. Available finishes DC13, US28 & DC35.
- Rim cylinder supplied standard with NL and HB options is C keyway.

1490 Device Options

		List Add
Extra Length	42" 1490 Device	35.00
	48" 1490 Device	76.00
Extra Length	42" 1498 Device	20.00
	48" 1498 Device	25.00
Extension Rods	For Door Heights over 7' up to 10'	108.00
Door Thickness	For Doors greater than 1 3/4" up to 2 1/4" using cylinder assembly	24.00
Rim Cylinder	For Door with cylinder assembly (3216 - C Keyway)	92.00
7 Pin Cylinder Assembly	For Door with cylinder assembly and using 7 pin cylinder	23.00
Risers (1/2")	Specify device "x Riser" (example 1490EO x 36" x US28 x Riser)	92.00
Centerlines	Change from 40 9/16" standard Device Centerline	105.00
HH	Hurricane Device. Available up to 8' device only. Prefix device "HH"	21.00
Signal Switch	Base Exit Device unit modified with signal switch (SPDT) indicating latch condition. Prefix device "S".	397.00
Electric Latch Retraction	Base Exit Device unit modified with Electric Latch Retraction and Signal Switch (SPDT). Prefix device "EL". EL Kits are field replaceable, please refer to page 263 for part numbers.	900.00

**(One PS914 x 900-2RS is the minimum requirement to power one or two EL devices.
See Power Supply Section for requirements and options.)**

REFERENCE NOTES:

HH (Hurricane) 1490 devices are hurricane rated by specific door manufacturers. Consult your device manufacturer to assure the HH1490 is hurricane rated with their door solution.

Prices subject to change without notice

Offset Pull

Model No.		Non-Finish	DC13, DC35, US28	US26, US26D
9970 Pull		-	173	389
STUD.102	9970 Mounting Stud (Pkg Qty 10)	31	-	-

Replacement Cylinders

Model No.	Description	US26D, US10B
3216	Rim Cylinder C Keyway	92

Cylinder Assembly

Model No.	Description	US28, DC13, DC35
149CA-NL	Cylinder Assembly Less Cylinder	44
149CA-HB	Cylinder Assembly Less Cylinder	44

REFERENCE NOTES:

Door Thickness greater than 1 3/4" up to 2 1/4", **add \$24 list.** 7 Pin Cylinder applications, **add \$23 list.**

Risers

Model No.	Description	List Price
RSR1490	1490 Riser Pkg	92

Strikes - Concealed Vertical Rod

Model No.	Description	Non-Finish	P13, P35, US32D
PB48	Top strike for 1990/1490/1690/2390 devices.	-	25
SHIM.112	PB48 Strike Shim (Pkg Qty: 10)	26	-

Prices subject to change without notice

EXITS

Pushpads

Commercial /
Medium Duty

1490 Series

1590 Series

**Devices are priced 36",
Aluminum or Hollow Metal Doors.**

(Price includes TD35 Strike. Retractor needed for cylinder operation only furnished with 1592/3/4/5.



Model No.	US28	DC13, DC35	Standard Trim
1590EO	716	743	-
1591DT	889	916	9970 Pull
1592NL-OP (Specify if used on pair of doors with Mullion.)	852	879	159CA-NL w/Rim Cylinder
1593HB-OP (Specify if used on pair of doors with Mullion.)	852	879	159CA-HB w/Rim Cylinder
1594NL-P (Specify if used on pair of doors with Mullion.)	1025	1052	9970 Pull 159CA-NL w/Rim Cylinder
1595HB-P (Specify if used on pair of doors with Mullion.)	1025	1052	9970 Pull 159CA-HB w/Rim Cylinder

REFERENCE NOTES:

Specify if Door Material other than Aluminum.

Device furnished non-handed with RHR and LHR Pushbar labels for field installation.

Cylinder assembly furnished in DC35 finish, unless specified. Available finishes DC13, US28 & DC35.

Rim cylinder supplied standard with NL and HB options is C keyway.

1590 Device Options

		List Add
Matching Dummy Touchbar	Specify 1498 series. Refer to 1490 Device Page 254 for pricing.	-
Extra Length	42" 1590 Device	35.00
	48" 1590 Device	76.00
Door Thickness	For Doors greater than 1 3/4" up to 2 1/4" using cylinder assembly	24.00
Rim Cylinder	For Door with cylinder assembly (3216 - C Keyway)	92.00
7 Pin Cylinder Assembly	For Door with cylinder assembly and using 7 pin cylinder	23.00
Risers (1/2")	Specify device "x Riser" (example 1590EO x 36" x US28 x Riser)	92.00
Signal Switch	Base Exit Device unit modified with signal switch (SPDT) indicating latch condition. Prefix device "S".	397.00
Electric Latch Retraction	Base Exit Device unit modified with Electric Latch Retraction and Signal Switch (SPDT). Prefix device "EL". EL Kits are field replaceable, please refer to page 263 for part numbers.	900.00

(One PS914 x 900-2RS is the minimum requirement to power one or two EL devices.

See Power Supply Section for requirements and options.)

Prices subject to change without notice

Offset Pull

Model No.		Non-Finish	DC13, DC35, US28	US26, US26D
9970 Pull		–	173	389
STUD.102	9970 Mounting Stud (Pkg Qty 10)	31	–	–

Replacement Cylinders

Model No.	Description	US26D, US10B
3216	Rim Cylinder C Keyway	92

Cylinder Assembly

Model No.	Description	US28, DC13, DC35
159CA-NL	Cylinder Assembly Less Cylinder	44
159CA-HB	Cylinder Assembly Less Cylinder	44

REFERENCE NOTES:

Door Thickness greater than 1 3/4" up to 2 1/4", **add \$24 list.** 7 Pin Cylinder applications, **add \$23 list.**

Retractors

Model No.	Description	List Price
For field conversion of 1590 inactive device to NL or HB functions.		
RTR10	1590 Retractor Single Door	16
RTR11	1590 Retractor Single Door with Riser	16
RTR12	1590 Retractor Pair with Mullion 1 3/4" Door	16
RTR13	1590 Retractor Pair with Mullion 2 1/4" Door	16
RTR14	1590RL Retractor 1 3/4" Door	93
RTR15	1590RL Retractor 2 1/4" Door	93

Risers

Model No.	Description	List Price
RSR1590	1590 Riser Pkg	92

Strikes - Rim

Model No.	Description	Black	P28	P13	P35	Non-Finish
STK45	Strike for inactive door, pair of doors with 1590/1790/2090 devices	–	–	–	85	–
TD35	Strike for single doors, 1590 and 1790 device	–	–	–	116	–
SHIM.150	TD35 Strike Shim	26	–	–	–	–
SCREW.1016	TD35 Screw 10-32 x 1" FPHMS (Pkg Qty 25)	24	–	–	–	–
4270109590	TD35 Wear Strip	–	–	–	–	13
RIVET.101	TD35 Drive Rivet (Pkg Qty 25)	–	–	–	–	34

Prices subject to change without notice

EXITS

Pushpads

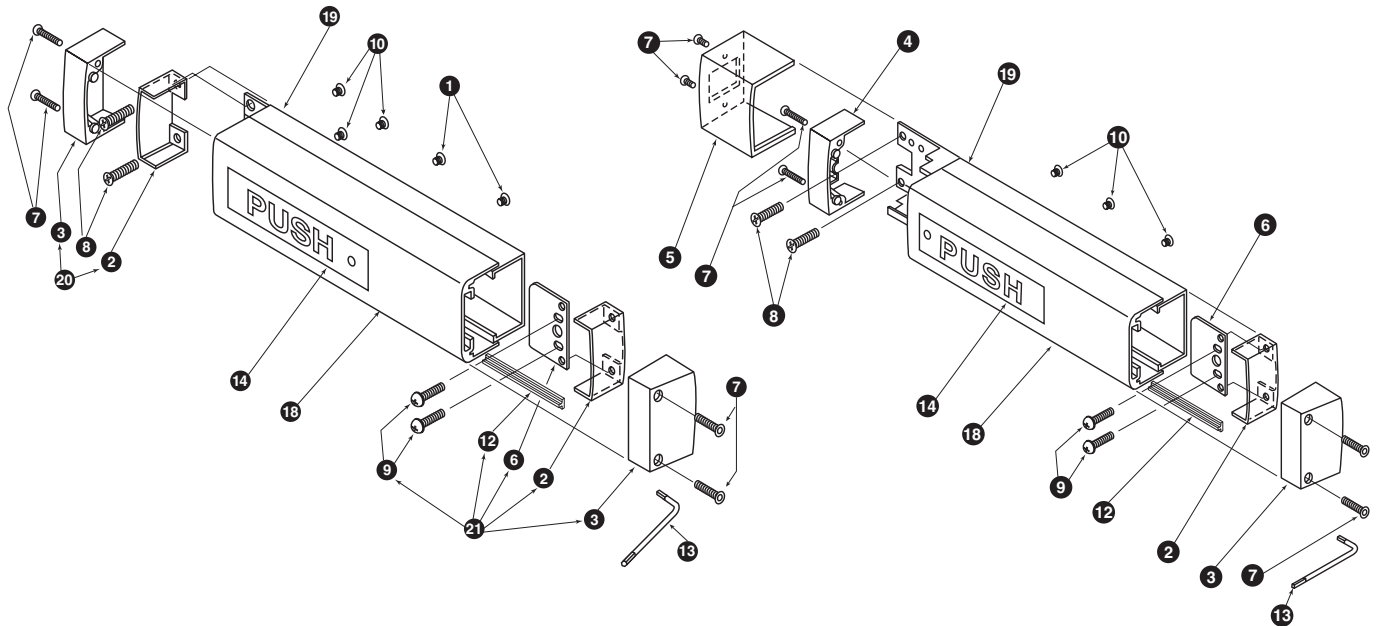
Commercial /
Medium Duty

1490 / 1590
Series

Pushbar

1490

1590



Part No.	Description	Finish	Pkg. Qty	Price
1	SCREW.1028 10-32 1/4" UFPHMS Screw	-	10	25.00
2	4270106786 1490/1590 Pushbar Mounting Bracket	-	each	26.00
3	4270106787 1490/1590 Pushbar End Cap	P35	each	47.00
4	4270106875 1590 Pushbar End Cap	P35	each	22.00
5	4270106863 1590 Center Case Cover P35	P35	each	30.00
6	4270106770 1490/1590 P/Bar Hingeside Mounting Plate	-	each	14.00
7	SCREW.1050 8-32 1" FH Torx Screw (before September, 2004)	-	10	33.00
	SCREW.1143 8-18 1.1/4" FPH TF Typ 25	-	10	25.00
8	SCREW.1282 12-24 1 1/2" UFPHMS Screw (1490)	-	10	26.00
	SCREW.1066 12-24 1" UFPHMS Screw (1590)	-	10	26.00
9	SCREW.1053 12-24 1" PPH W/SEMS EXT TF Screw	-	10	26.00
10	SCREW.1012 8-32 1/4" UFPHMS Screw	US32D	10	13.00
	SCREW.1055 8-32 1/4" UFPHMS Screw	BLACK	10	13.00
12	BUMPER.103 Pushbar Bumper 4' (2 ea. Required)	-	each	13.00
13	KEY.102 Short Arm Key	-	10	37.00
14	4270107321 1490 RHR/1590 LHR Push Label	BLACK	each	30.00
	4270107323 1490 LHR/1590 RHR Push Label	BLACK	each	30.00
	4270107320 1490 RHR/1590 LHR Push Label	GOLD	each	30.00
	4270107322 1490 LHR/1590 RHR Push Label	GOLD	each	30.00

Prices subject to change without notice

Pushbar

Part No.	Description	Finish	Pkg. Qty	Price	
18	4270107027	1490 Pushbar 36"	US28	each	117.00
	4270107028	1490 Pushbar 36"	DC13	each	123.00
	4270107029	1490 Pushbar 36"	DC35	each	123.00
	4270107685	1490 Pushbar 36"	US3	each	1211.00
	4270107689	1490 Pushbar 36"	US4	each	1211.00
	4270107686	1490 Pushbar 36"	US10	each	1211.00
	4270107691	1490 Pushbar 36"	US10B	each	1268.00
	4270107687	1490 Pushbar 36"	US14	each	1268.00
	4270107688	1490 Pushbar 36"	US15	each	1268.00
18	4270107031	1490 Pushbar 48"	US28	each	126.00
	4270107032	1490 Pushbar 48"	DC13	each	133.00
	4270107033	1490 Pushbar 48"	DC35	each	133.00
	4270107703	1490 Pushbar 48"	US3	each	1217.00
	4270107707	1490 Pushbar 48"	US4	each	1217.00
	4270107704	1490 Pushbar 48"	US10	each	1217.00
	4270107709	1490 Pushbar 48"	US10B	each	1272.00
	4270107705	1490 Pushbar 48"	US14	each	1272.00
	4270107706	1490 Pushbar 48"	US15	each	1272.00
18	4270107091	1590 Pushbar 36"	US28	each	126.00
	4270107092	1590 Pushbar 36"	DC13	each	133.00
	4270107093	1590 Pushbar 36"	DC35	each	133.00
	4270107712	1590 Pushbar 36"	US3	each	1211.00
	4270107716	1590 Pushbar 36"	US4	each	1211.00
	4270107713	1590 Pushbar 36"	US10	each	1211.00
	4270107718	1590 Pushbar 36"	US10B	each	1275.00
	4270107714	1590 Pushbar 36"	US14	each	1275.00
	4270107715	1590 Pushbar 36"	US15	each	1275.00
18	4270107095	1590 Pushbar 48"	US28	each	143.00
	4270107096	1590 Pushbar 48"	DC13	each	148.00
	4270107097	1590 Pushbar 48"	DC35	each	148.00
	EXT.255	1590 Pushbar 48"	US3	each	1231.00
	EXT.259	1590 Pushbar 48"	US4	each	1231.00
	EXT.256	1590 Pushbar 48"	US10	each	1231.00
	EXT.261	1590 Pushbar 48"	US10B	each	1289.00
	EXT.257	1590 Pushbar 48"	US14	each	1289.00
	EXT.258	1590 Pushbar 48"	US15	each	1289.00
19	4270107034	1490 Channel 36"	US28	each	117.00
	4270107035	1490 Channel 36"	DC13	each	123.00
	4270107036	1490 Channel 36"	DC35	each	123.00
19	4270107038	1490 Channel 48"	US28	each	126.00
	4270107039	1490 Channel 48"	DC13	each	133.00
	4270107040	1490 Channel 48"	DC35	each	133.00
19	4270107587	1590 Channel 36"	US28	each	143.00
	4270107588	1590 Channel 36"	DC13	each	148.00
	4270107589	1590 Channel 36"	DC35	each	148.00
19	4270107591	1590 Channel 48"	US28	each	156.00
	4270107592	1590 Channel 48"	DC13	each	164.00
	4270107593	1590 Channel 48"	DC35	each	164.00
20	ECAP.111	1490 Lockside End Cap Assembly	P35	each	37.00
21	ECAP.103	1490 Hingeside End Cap Assembly	P35	each	42.00
	PKG.102	1490 Mounting Package	US28	each	24.00
	PKG.104	1490 Mounting Package	DC35	each	25.00
	PKG.105	1590 Mounting Package	-	each	24.00

EXITS

Pushpads

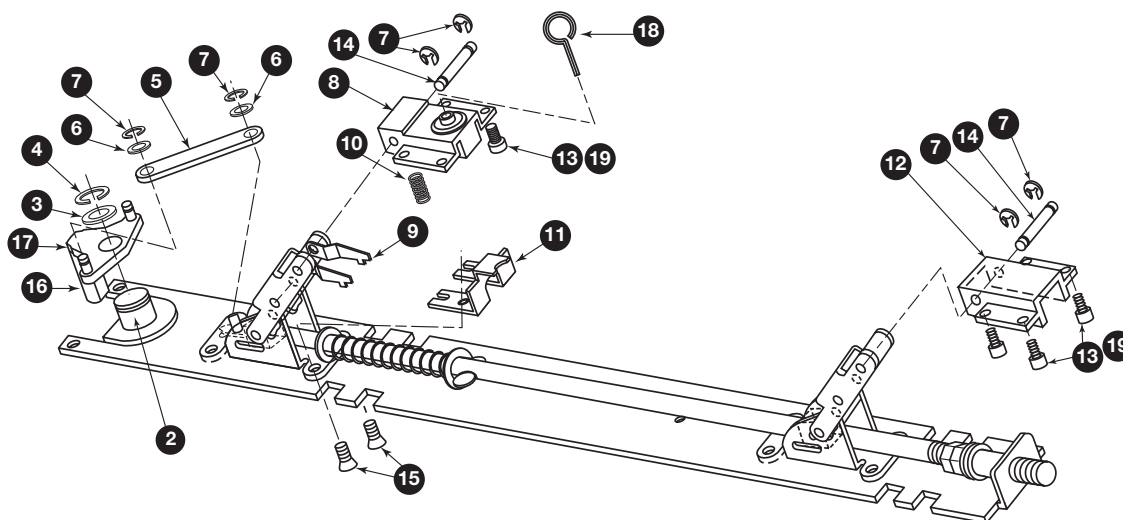
Commercial / Medium Duty

1490 / 1590 Series

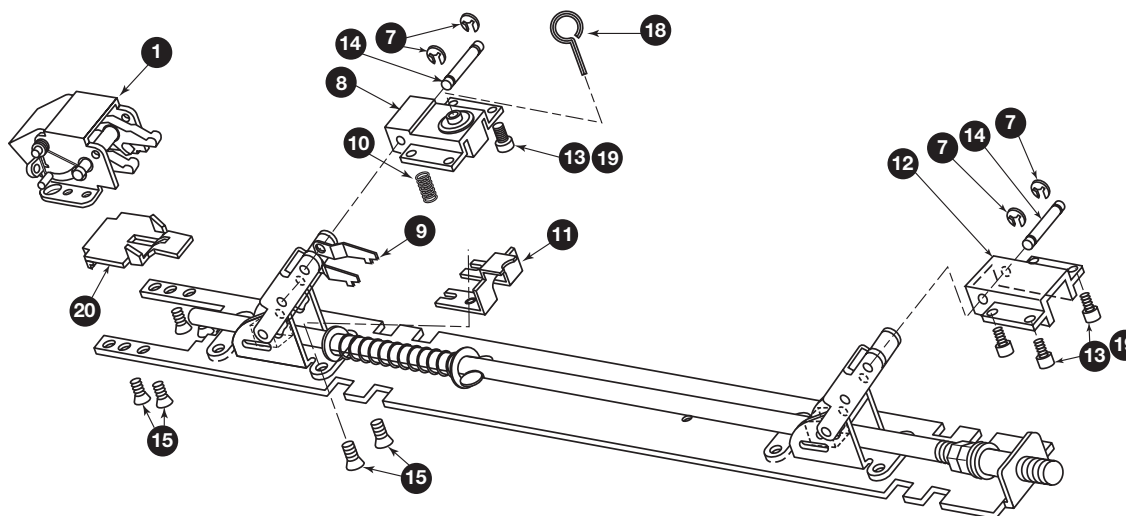
Prices subject to change without notice

Activating Baseplate Assembly

1490



1590



Prices subject to change without notice

Activating Baseplate Assembly

	Part No.	Description	Finish	Pkg. Qty	Price
1	4270107603	1590 Latchbolt Assembly	-	each	126.00
2	4270106769	Lift Lever Axle	-	each	14.00
3	WASHER.102	Lift Lever Washer	-	10	23.00
4	RRING.104	Retaining Ring .500"	-	10	16.00
5	4270106773	Link	-	each	13.00
6	WASHER.103	Link Washer	-	10	23.00
7	RRING.105	Retaining Ring .188"	-	10	13.00
8	4270107046	Dogging Bracket Assembly	-	each	71.00
9	971659-79	Dogging Clip	-	each	38.00
10	4299101020	Compression Spring	-	each	9.50
11	971660-79	Act. Rod Spring Stop CZNC	-	each	16.00
12	4270106977	Clevis	-	each	99.00
13	SCREW.1136	8-32 3/8" PPHMS w/Sems	-	10	37.00
14	AXLE.1007	Clevis Assembly Axle	-	10	16.00
15	SCREW.1043	10-32 3/8" UFPHMS Screw	-	10	16.00
16	4270106745	Lift Lever	-	each	23.00
17	4270106772	Pivot Pin	-	each	23.00
18	KEY.10020	Hex Dogging Key 5/32"	-	10	47.00
19	WASHER.107	#8 Washer Hi-Collar	-	10	14.00
20	4270106888	1590 Retractor-Sgl Dr 1 3/4" (Only furnished with 1592/3/4/5)	-	each	16.00
	4270107422	1590 Retractor-Sgl Dr 2 1/4" (Only furnished with 1592/3/4/5)	-	each	16.00
	4270107520	1590 Retractor-Pair w/Mullion 1 3/4" Dr (Only furnished with 1592/3/4/5)	-	each	16.00
	4270107521	1590 Retractor-Pair w/Mullion 2 1/4" Dr (Only furnished with 1592/3/4/5)	-	each	16.00

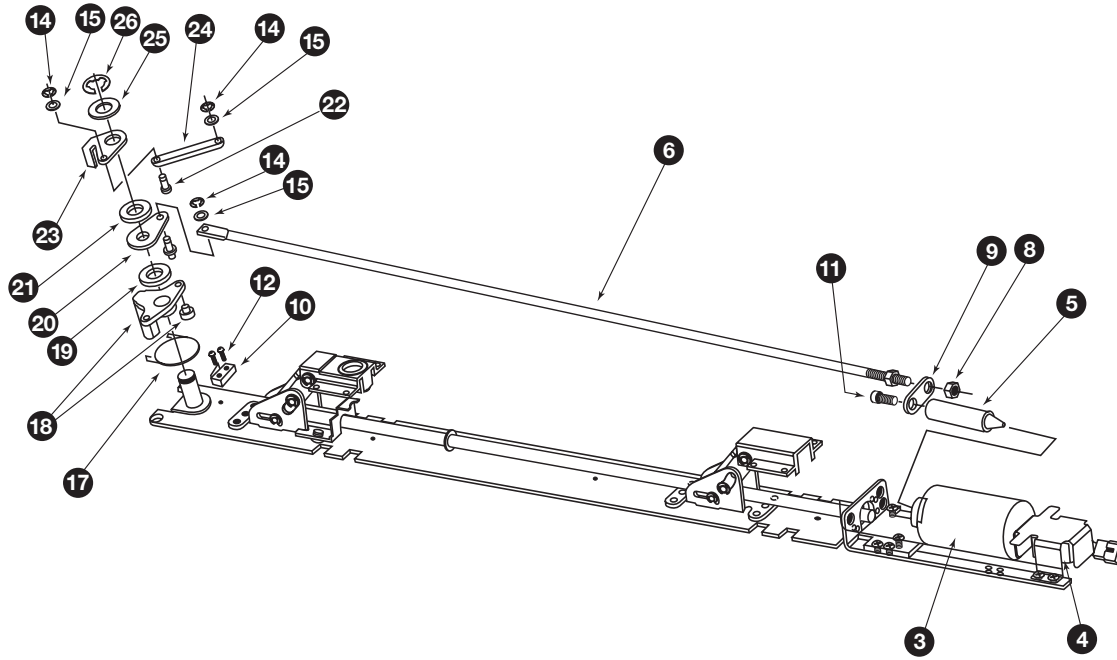
1490 Base Plate Assemblies

	4270107061	1490 Baseplate Assembly LHR 36"	-	each	493.00
	4270107048	1490 Baseplate Assembly LHR 48"	-	each	552.00
	4270107047	1490 Baseplate Assembly RHR 36"	-	each	493.00
	4270107060	1490 Baseplate Assembly RHR 48"	-	each	552.00
	4270107089	1590 Baseplate Assembly 36"	-	each	354.00
	4270107090	1590 Baseplate Assembly 48"	-	each	416.00

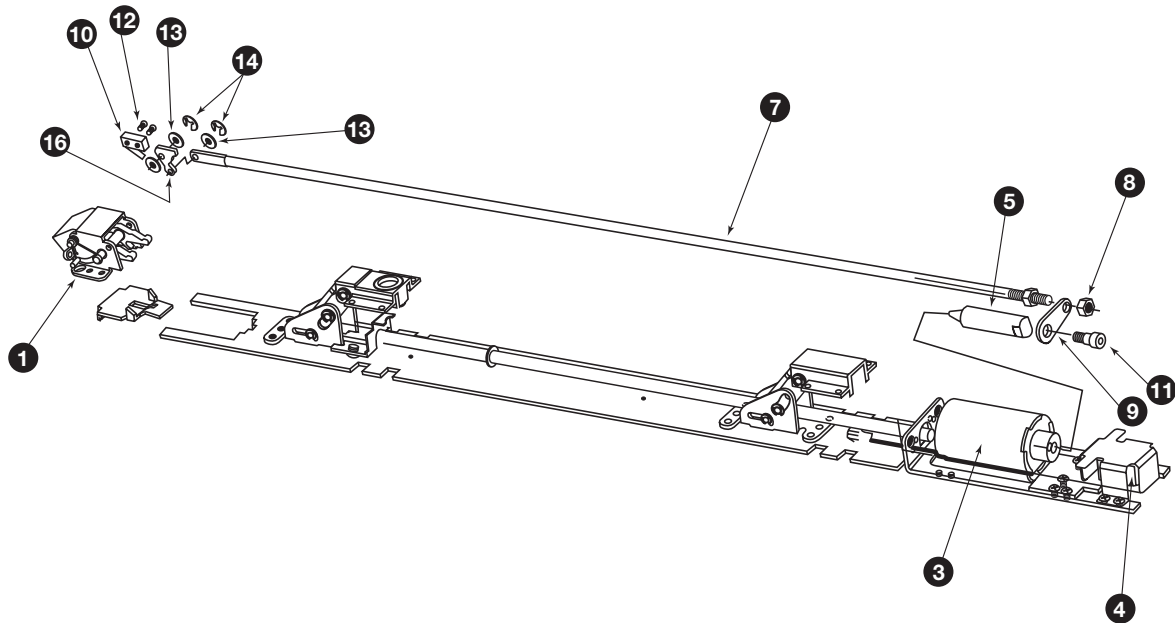
Prices subject to change without notice

Activating Baseplate Assembly

EL1490



EL1590



Prices subject to change without notice

Activating Baseplate Assembly

	Part No.	Description	Finish	Pkg. Qty	Price	
	1	4270107623	EL1590 Latchbolt Assembly 36"	-	each	373.00
		LATCHR.102	EL1590 Latchbolt Assembly 48"	-	each	379.00
2	4270108763	S1590 Latchbolt Assembly	-	each	278.00	
3	SOLENOID.142	EL Solenoid	-	each	245.00	
4	050534-00	EL Potted Circuit Breaker	-	each	314.00	
5	PLUNGER.101	EL Solenoid Plunger	-	each	74.00	
	110388-00	EL Cable Assembly (not shown)	-	each	47.00	
6	4270107193	EL1490 Pull Rod 36"	-	each	38.00	
	4270107361	EL1490 Pull Rod 48"	-	each	45.00	
7	4270107342	EL1590 Push Rod 36"	-	each	45.00	
	4270107360	EL1590 Push Rod 48"	-	each	60.00	
8	NUT.103	1/4-20 Hex Nut	-	10	6.50	
9	4270107341	EL1590 Link	-	each	7.50	
10	SWITCH.1002	Subminiature Switch Assembly 36"	-	each	67.00	
	SWITCH.1004	Subminiature Switch Assembly 48"	-	each	73.00	
11	SCREW.1061	1/4-20 29/32" Soc Shoulder Screw	BLACK	10	36.00	
	SCREW.1136	8-32 3/8" PPH w/Sems Machine Screw	-	10	36.00	
12	SCREW.1063	2-56 RHMS Screw	-	10	7.50	
	SCREW.1065	8-32 1/4" PPH MS Typ 2A Screw	-	10	6.50	
14	RRING.105	Retaining Ring .188	-	10	13.00	
15	WASHER.103	Link Washer	-	10	23.00	
16	LEVER.103	EL1590 Release Lever Assembly	-	each	77.00	
17	4270107429	EL1490 Lift Lever Spring-LHR	-	each	9.50	
	4270107430	EL1490 Lift Lever Spring-RHR	-	each	9.50	
18	LEVER.104	EL1490 Lift Lever Sub-Assembly LHR	-	each	36.00	
	LEVER.105	EL1490 Lift Lever Sub-Assembly RHR	-	each	36.00	
19	4270107194	EL Lift Lever Spacer	-	each	15.00	
20	4270107192	EL1490 Pivot Bracket	-	each	9.50	
21	4270109142	Lift Lever Washer	-	each	14.00	
22	4270107186	Link Pin	-	each	8.50	
23	4270107188	EL1490 Lift Lever Bracket-LHR	-	each	9.50	
	4270107189	EL1490 Lift Lever Bracket-RHR	-	each	9.50	
24	4270106773	1490 Link	-	each	13.00	
25	WASHER.102	Lift Lever Washer	-	10	22.00	
26	RRING.104	Retaining Ring .500	-	10	15.00	
27	4270107363	Pivot Pin YZNC STL	-	each	4.50	

S1490/S1590 Baseplate Assemblies

	BASEASY.210	S1490 Baseplate Assembly LHR 36"	-	each	982.00
	BASEASY.211	S1490 Baseplate Assembly LHR 48"	-	each	1,039.00
	BASEASY.208	S1490 Baseplate Assembly RHR 36"	-	each	982.00
	BASEASY.209	S1490 Baseplate Assembly RHR 48"	-	each	1,039.00
	BASEASY.220	S1590 Baseplate Assembly 36"	-	each	843.00
	BASEASY.221	S1590 Baseplate Assembly 48"	-	each	903.00

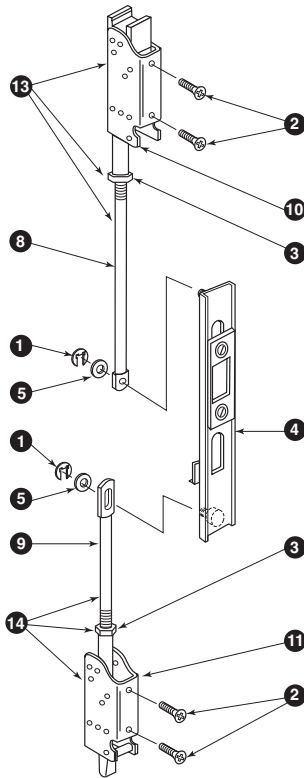
EL1490/EL1590 Baseplate Assemblies

	KIT.1011	EL1490 Conversion Kit LHR 36"	-	each	1,025.00
	KIT.1010	EL1490 Conversion Kit RHR 36"	-	each	1,025.00
	KIT.1013	EL1490 Conversion Kit LHR 48"	-	each	1,025.00
	KIT.1012	EL1490 Conversion Kit RHR 48"	-	each	1,025.00
	KIT.1008	EL1590 Conversion Kit 36"	-	each	1,025.00
	KIT.1009	EL1590 Conversion Kit 48"	-	each	1,025.00

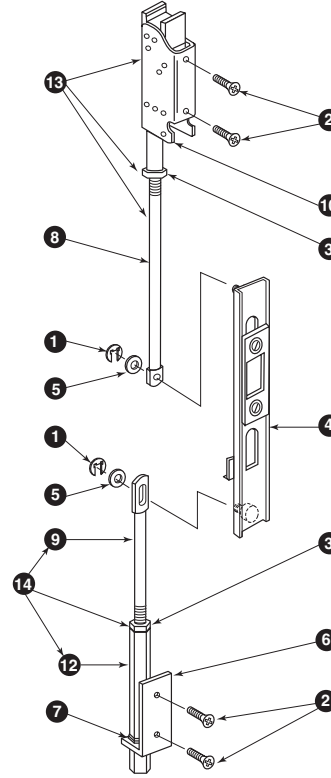
Prices subject to change without notice

Rod Assembly

Standard Rod Assembly



EL Rod Assembly

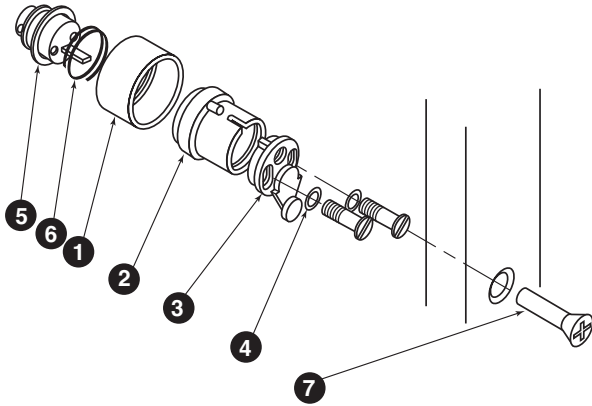


Part No.	Description	Finish	Pkg. Qty	Price
1	RRING.103 Retaining Ring .250	-	25	13.00
2	SCREW.1028 10-32 1/4" UFPH Screw	US32D	10	25.00
	SCREW.1029 10-32 1/4" UFPH Screw	BLACK	10	25.00
3	NUT.101 3/8-24 Jam Nut	-	10	25.00
4	4270106796 Lift Bracket Assembly	-	each	66.00
	4270107495 EL Lift Bracket Assembly	-	each	76.00
5	WASHER.116 Rod Washer	-	10	16.00
6	4270108426 EL Hex Rod Guide Assembly	US32D	each	47.00
	GUIDE.101 EL Hex Rod Guide Assembly	P35	each	47.00
7	BUSH.107 EL Hex Bushing	-	10	25.00
	GUIDE.102 HH Hex Rod Guide Assembly	P35	each	68.00
8	4270106776 Top Rod 35.000"	-	each	63.00
9	4270106775 Standard Bottom Rod 31.625"	-	each	63.00
	4270109003 EL Bottom Rod 34.625"	-	each	70.00
10	4270105926 EL Top Latch	-	each	156.00
	4270101806 SU Top Latch	-	each	116.00
11	4270100521 RL Bottom Latch	-	each	99.00
12	4270101830 Hex Bottom Bolt	-	each	42.00
13	RODASY.110 1490 Top Rod Assembly 7' Dr	-	each	183.00
	4270109078 EL1490 Top Rod Assembly 7' Dr	-	each	221.00
14	RODASY.112 Bottom Rod Assembly	-	each	109.00
	4270109077 EL1490 Bottom Rod Assembly	-	each	119.00
15	4270106782 1490 Top/Btm Rod Assembly 7' Dr	-	each	354.00
	4270107497 EL1490 Top/Btm Rod Assembly 7' Dr	-	each	396.00
	4270107791 Extension Rod Kit over 7' up to 10' Drs	-	each	129.00

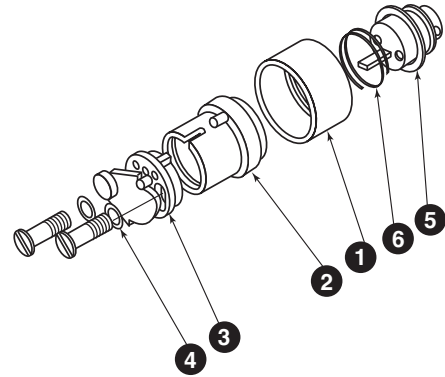
Prices subject to change without notice

Cylinder Assembly

1490



1590



Cam Assembly



Hold Back



Night Latch

EXITS

Pushpads

Commercial / Medium Duty

1490 / 1590 Series

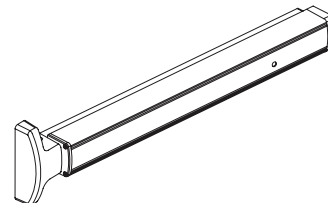
	Part No.	Description	Finish	Pkg. Qty	Price	
1	4270107213	Cylinder Collar 1.00"	P28	each	25.00	
	4270107214	Cylinder Collar 1.00"	P13	each	25.00	
	4270107215	Cylinder Collar 1.00"	P35	each	25.00	
	4270109005	Cylinder Collar 7 Pin 1.25"	P28	each	37.00	
	4270109006	Cylinder Collar 7 Pin 1.25"	P13	each	37.00	
	4270109007	Cylinder Collar 7 Pin 1.25"	P35	each	37.00	
	2	4270107286	Cylinder Tube w/Pin 1 3/4" DR	-	each	39.00
4270107833		Cylinder Tube w/Pin 2" DR	-	each	68.00	
4270107787		Cylinder Tube w/Pin 2 1/4" DR	-	each	68.00	
4270109009		Cylinder Tube w/Pin 7 Pin 1 3/4" DR	-	each	68.00	
4270109190		Cylinder Tube w/Pin 7 Pin 2" DR	-	each	68.00	
4270109630		HH Cylinder Tube w/Pin 2 3/8" DR	-	each	47.00	
CTUBE.232		HH Cylinder Tube w/Pin 7 Pin 2 3/8" DR	-	each	74.00	
3	4270107268	1490 NL Cam Assembly	-	each	33.00	
	4270107270	1490 HB Cam Assembly	-	each	33.00	
	4270107283	1590 NL Cam Assembly	-	each	33.00	
	4270107285	1590 HB Cam Assembly	-	each	33.00	
4	WASHER.108	Cylinder Adaptor Washer	-	10	16.00	
	5	WASHER.109	Cylinder Lock Washer	CZNC	10	23.00
		WASHER.110	Cylinder Lock Washer	BLACK	10	23.00
6	SPRING.105	Cylinder Collar Spring	-	10	10.50	
	7	SCREW.1105	12-24 1.1/2" UFPHMS Screw	CZNC	10	26.00
SCREW.1099		12-24 1.1/2" UFPHMS Screw	BLACK	10	25.00	

Prices subject to change without notice

1690 Series

Devices are priced for 30", 36" x 7',
Aluminum or Hollow Metal Doors.
Hex Bottom Latch furnished standard.

(Price includes PB48 Strike)



Model No.	US28	DC13, DC35	US26	US26D	Standard Trim
1690EO	484	517	631	609	–
1691DT	657	690	1020	998	9970 Pull
1692NL-OP/HB-OP	576	608	723	698	169CA w/Rim Cylinder
1694NL-P/HB-P	749	781	1112	1087	9970 Pull 169CA w/Rim Cylinder

REFERENCE NOTES:

Devices are supplied 36" x 7' standard, if not specified.
Rim cylinder supplied standard with NL and HB options is C keyway.

Extra Length

	List Add
42"	19.00
48"	27.00

Optional Latches

Suffix		List Add
RL	Rod Bottom Latch	29.00
PL	Pullman Bottom Latch	29.00
ES	Top Latch for use with Electric Strikes Device Furnished LBR (Less Bottom Rod and Less Strike) deduct \$25 List	33.00
Less Rods	For retrofit of 1990 crossbar device, deduct \$47 List	

Door Heights over 7'

	List Add
Up to 8'	66.00
Up to 9'	84.00
Up to 10'	97.00

Device Options

		List Add
RX Switch	Base Exit Device unit modified Request to Exit Switch monitoring pushpad. Prefix device "RX".	215.00
Electric Latch Retraction	Base Exit Device unit modified with Electric Latch Retraction. Prefix device "EL". The EL option is not field replaceable on this model.	579.00
(One PS914 x 900-2RS is the minimum requirement to power one or two EL devices. See Power Supply Section for requirements and options.)		
Electric Dogging	Base Exit Device unit modified with Electric Dogging Prefix device "ED".	579.00
HH	Hurricane device. Available up to 8' device only. Prefix device "HH". HH is for a Hurricane device for all door manufactures other than YKK.	115.00
HHYKK	Hurricane device. Available up to 8' device only. Prefix device "HHYKK". HHYKK is for a Hurricane device for door manufacture YKK.	115.00

REFERENCE NOTES:

For EL1690 Door widths other than the standard size (30", 36", 42" or 48"), please specify exact door width. For non-standard widths, the price of the next widest standard size will apply.
HH (Hurricane) 1690 devices are hurricane rated by specific door manufacturers. Consult your device manufacturer to assure the HH1690 is hurricane rated with their door solution.

Prices subject to change without notice

Offset Pull

Model No.		Non-Finish	DC13, DC35, US28	US26, US26D
9970 Pull		-	173	389
STUD.102	9970 Mounting Stud (Pkg Qty 10)	31	-	

Replacement Cylinders

Model No.	Description	US26D, US10B
3216	Rim Cylinder C Keyway	92

Cylinder Assembly

Model No.	Description	Non-Finish
169CA	Cylinder Assembly Less Cylinder	29

Strikes - Concealed Vertical Rod

Model No.	Description	Non-Finish	P13, P35, US32D
PB48	Top strike for 1990/1490/1690/2390 devices.	-	25
SHIM.112	PB48 Strike Shim (Pkg Qty: 10)	26	-

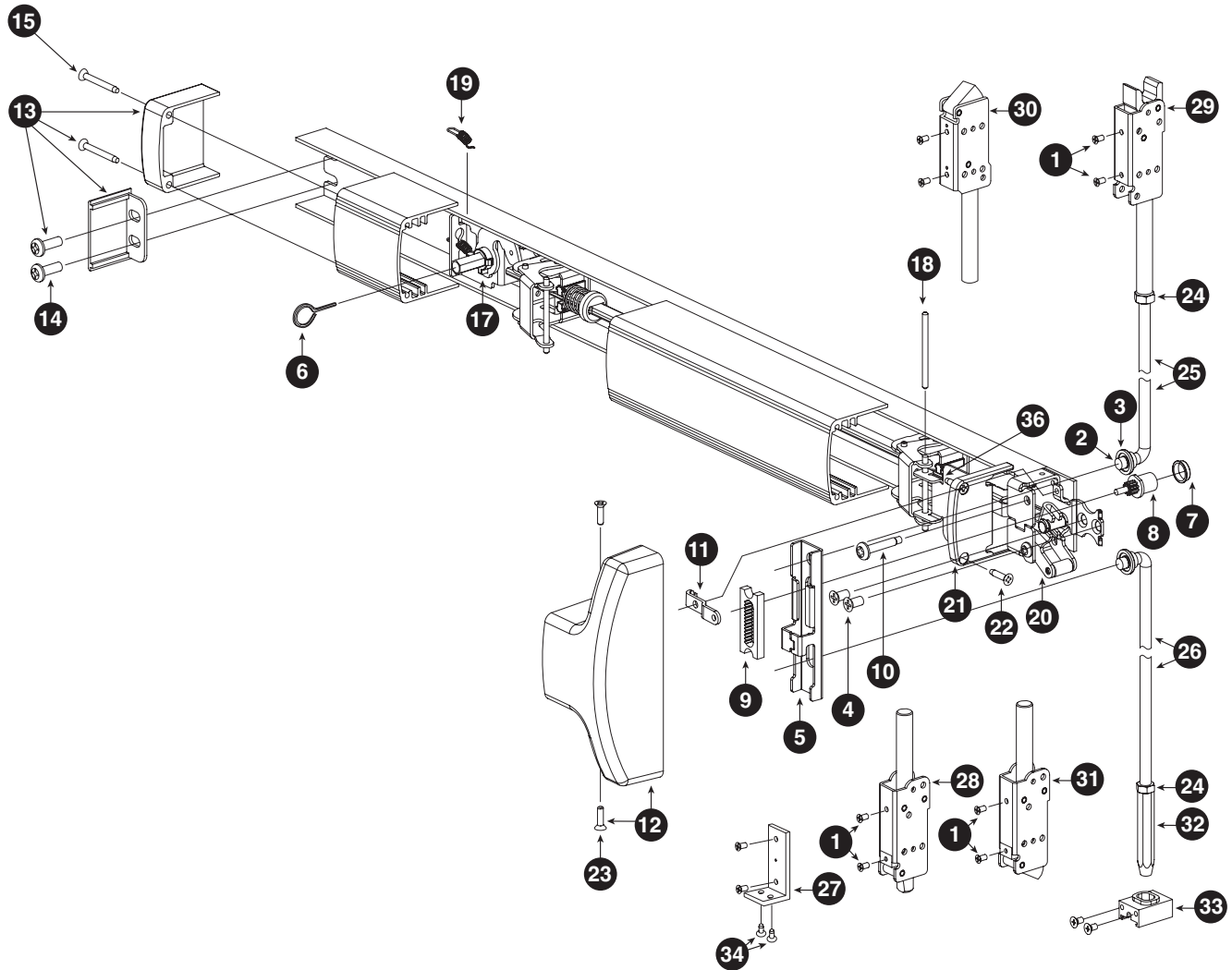
EXITS

Pushpads

Commercial /
Medium Duty

1690 Series

Prices subject to change without notice



Part No.	Description	Finish	Pkg. Qty	Price
1	SCREW.1028	US32D	10	25.00
	SCREW.1029	BLACK	10	25.00
2	BUSH.109	Bearing Bushing	10	26.00
3	RRING.109	Retaining Ring .250"	25	23.00
4	SCREW.1069	Lock Stile Mounting Screw	10	14.00
5	BRKT.138	Lift Bracket	each	25.00
6	KEY.10020	Hex Dogging Key 5/32"	10	47.00
	PKG.150	Auxiliary Package (part 1-6)	each	26.00
	PKG.151	Auxiliary Package (part 1-6)	each	26.00
7	BUSH.102	Cylinder Bushing	10	26.00
8	CAM.102	Pinion Cam	10	143.00
	4270903177	Pinion Cam	each	23.00
9	RETRACT.101	Rod Retractor	10	60.00
10	SCREW.1074	Retainer Screw	10	23.00
11	BRKT.478	Pinion Support Bracket	each	9.50
12	COVER.113	Center Case Cover Kit	each	40.00
13	ECAP.130	Channel/Hinge End Cap Kit	each	28.00

Prices subject to change without notice

1690 Series Exploded View And Parts List

	Part No.	Description	Finish	Pkg. Qty	Price
14	SCREW.1070	1/4-20 1/2" PPHMS Screw	-	10	13.00
15	SCREW.1072	#8 1.1/2" FPH TC Typ AB Screw (before September, 2004)	-	10	13.00
	SCREW.1143	8-18 1.1/4" FPH TF Typ 25	-	10	25.00
16	SCREW.1067	1/4-20 3/8" Hex Soc Set Screw	BLACK	3	14.00
	SCREW.1068	1/4-20 3/8" Hex Soc Set Screw	US28	3	14.00
17	KIT.1197	Dogging Kit		each	34.00
18	PIN.128	Push Bar Pin	-	10	13.00
19	971493-76	Dogging Spring	-	each	6.50
20	BRKTASY.107	Actuator Arm Bracket Assy	-	each	16.00
21	ECAP.129	Lock Stile Push Bar End Cap	P35	each	16.00
22	SCREW.1077	8-3/4" FPHSMS (before September, 2004)	BLACK	10	25.00
	SCREW.1141	8-18 .3/4" FPH TF Typ 25	-	10	19.00
23	SCREW.1025	8-5/8" FPHSMS (before September, 2004)	BLACK	10	23.00
24	NUT.101	Rod Jam Nut	-	10	25.00
25	4270100017	SU/PL/ES/RL Rod (Standard)	-	each	36.00
	4270102427	SU/PL/ES/RL Rod-1/4" Insulclad 7'	-	each	36.00
	4270102426	SU/PL/ES/RL Rod-1/4" Insulclad 8'	-	each	114.00
	4270100018	SU Rod 8' Door	-	each	114.00
	4270100172	SU Ext Rod Kit Up to 9' Dr (not shown)	-	each	101.00
	4270100197	SU Ext Rod Kit Up to 10' Dr (not shown)	-	each	117.00
26	4270101825	Hex Bottom Rod	-	each	36.00
27	BRKTASY.101	Latch Mtg Bracket Kit-HMD	-	each	49.00
28	● 4270100521	RL Bottom Latch	-	each	99.00
29	● 4270101806	SU Top Latch	-	each	116.00
30	● 4270100346	ES Top Latch	-	each	136.00
31	● 4270101482	PL Bottom Latch	-	each	99.00
32	BOLT.1004	Hex Bottom Bolt Beveled	-	each	47.00
33	4270107176	Hex Rod Guide Assembly	US32D	each	40.00
	4270107178	Hex Rod Guide Assembly	P35	each	40.00
	SCREW.1076	Hex Rod Guide Screws	US28	10	9.50
	SCREW.1081	Hex Rod Guide Screws	DC13/DC35	10	9.50
	PIN.110	ES Latch Pin	-	10	24.00
	PIN.109	SU/ES/PL/HH Latch Spirol Pin	-	10	19.00
34	SCREW.1037	10-32 3/8" FPHMS	-	25	23.00
	● 4270106632	SU Top Rod Assembly 7' Dr	-	each	156.00
	● 4270106633	SU Top Rod Assembly 8' Dr	-	each	234.00
	● 4270101818	SU Top Rod Assembly 9' Dr	-	each	254.00
	● 4270101819	SU Top Rod Assembly 10' Dr	-	each	276.00
	● 4270101873	ES Top Rod Assembly 7' Dr	-	each	196.00
	4270101874	ES Top Rod Assembly 8' Dr	-	each	297.00
	● 4270100522	RL Bottom Rod Assembly	-	each	156.00
	RODASY.1075	Hex Bottom Rod Assembly	-	each	110.00
	● 4270100266	PL Bottom Rod Assembly	-	each	160.00
36	BRKT.128	Pushbar Anchor Bracket	-	each	9.50

REFERENCE NOTES:

- Specify if door material other than aluminum. Complete rod and latch assembly includes (4270100017) standard rod and (Nut.101). Part numbers shown are for standard centerlines and assembled lengths.

Prices subject to change without notice

Part No.	Description	Finish	Pkg. Qty	Price
KIT.1156	NL Cylinder Assy & Auxiliary Parts (parts 1-10)	US28	each	63.00
KIT.1157	NL Cylinder Assy & Auxiliary Parts (parts 1-10)	DC13/DC35	each	63.00
169CA	1690NL Cylinder Assembly (parts 7-11)	-	each	29.00
SCREW.1121	10-32 3/8" UFPH TF	US28	8	10.50
SCREW.1114	10-32 3/8" UFPH TF	DC13/DC35	8	10.50
BRKT.156	Center Case Bracket	-	each	16.00
SWITCH.1006	RX Switch Wire Assembly (not shown) Valid for Field Install RX Option on Devices shipped after June, 2002	-	each	228.00
050534-00	EL Potted Circuit Breaker (not shown)	-	each	314.00
971687-00	EL Solenoid 24 VDC (not shown)	-	each	256.00
PLUNGER.101	EL Plunger (not shown)	-	each	74.00
110388-00	EL Cable Assembly (not shown)	-	each	47.00

1690/1790 Pushbars and Channels**Standard EL**

EXT.827	EXT.830	1690/1790 Pushbar 30"	US28	each	109.00
EXT.828	EXT.825	1690/1790 Pushbar 30"	DC13	each	126.00
EXT.829	EXT.826	1690/1790 Pushbar 30"	DC35	each	126.00
EXT.2351	EXT.2323	1690/1790 Pushbar 30"	US3	each	297.00
EXT.2352	EXT.2333	1690/1790 Pushbar 30"	US10	each	267.00
EXT.2353	EXT.2338	1690/1790 Pushbar 30"	US26	each	297.00
EXT.2354	EXT.2340	1690/1790 Pushbar 30"	US26D	each	267.00
EXT.608	EXT.398	1690/1790 Pushbar 36"	US28	each	109.00
EXT.609	EXT.399	1690/1790 Pushbar 36"	DC13	each	126.00
EXT.631	EXT.400	1690/1790 Pushbar 36"	DC35	each	126.00
EXT.2355	EXT.2324	1690/1790 Pushbar 36"	US3	each	297.00
EXT.2356	EXT.2334	1690/1790 Pushbar 36"	US10	each	267.00
EXT.2357	EXT.2339	1690/1790 Pushbar 36"	US26	each	297.00
EXT.2358	EXT.2289	1690/1790 Pushbar 36"	US26D	each	267.00
EXT.646	EXT.438	1690/1790 Pushbar 42"	US28	each	117.00
EXT.736	EXT.439	1690/1790 Pushbar 42"	DC13	each	140.00
EXT.737	EXT.441	1690/1790 Pushbar 42"	DC35	each	140.00
EXT.2359	EXT.2341	1690/1790 Pushbar 42"	US3	each	308.00
EXT.2360	EXT.2345	1690/1790 Pushbar 42"	US10	each	278.00
EXT.2361	EXT.2349	1690/1790 Pushbar 42"	US26	each	308.00
EXT.2362	EXT.2350	1690/1790 Pushbar 42"	US26D	each	278.00
EXT.738	EXT.442	1690/1790 Pushbar 48"	US28	each	126.00
EXT.739	EXT.443	1690/1790 Pushbar 48"	DC13	each	148.00
EXT.740	EXT.444	1690/1790 Pushbar 48"	DC35	each	148.00
EXT.2363	EXT.2298	1690/1790 Pushbar 48"	US3	each	316.00
EXT.2364	EXT.2303	1690/1790 Pushbar 48"	US10	each	285.00
EXT.2365	EXT.2304	1690/1790 Pushbar 48"	US26	each	316.00
EXT.2366	EXT.2294	1690/1790 Pushbar 48"	US26D	each	285.00
EXT.175		1690 Channel 27.138	US28	each	26.00
EXT.177		1690 Channel 27.138	DC13	each	40.00
EXT.741		1690 Channel 33.138	US28	each	29.00
EXT.742		1690 Channel 33.138	DC13	each	34.00
EXT.743		1690 Channel 33.138	DC35	each	33.00
EXT.744		1690 Channel 39.138	US28	each	34.00
EXT.745		1690 Channel 39.138	DC13	each	39.00
EXT.746		1690 Channel 39.138	DC35	each	39.00
EXT.747		1690 Channel 45.138	US28	each	38.00
EXT.748		1690 Channel 45.138	DC13	each	46.00
EXT.749		1690 Channel 45.138	DC35	each	49.00
4270109291		1690 Channel 32.250	US28	each	32.00
4270109295		1690 Channel 44.250	US28	each	38.00
4270109293		1690 Channel 44.250	DC35	each	45.00
EXT.178		1690 Channel 27.138	DC35	each	46.00
4270109297		1690 Channel 44.250	DC35	each	56.00
4270109423		1690 Channel 38.250	US28	each	38.00
4270109424		1690 Channel 38.250	DC13	each	38.00
4270109425		1690 Channel 38.250	DC35	each	56.00
EXT.101		1790 Channel 33.580	US28	each	63.00
EXT.102		1790 Channel 39.580	US28	each	66.00
EXT.103		1790 Channel 45.580	US28	each	70.00
4270109571		1790 Channel 33.580	DC13	each	58.00
4270109572		1790 Channel 39.580	DC13	each	68.00
4270109574		1790 Channel 33.580	DC35	each	64.00
4270109575		1790 Channel 39.580	DC35	each	71.00
4270109576		1790 Channel 45.580	DC35	each	77.00

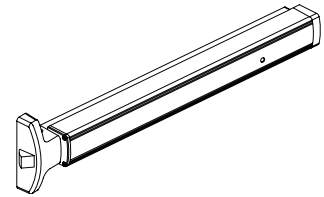
Prices subject to change without notice

1790 Series Rim Type Pushpad Exit Devices

1790 Series

Devices are priced for 30" and 36",
Aluminum or Hollow Metal Doors.

(Price includes TD35 Strike)



Model No.	US28	DC13, DC35	US26	US26D	Standard Trim
1790EO	440	470	585	564	-
1791DT	613	643	974	953	9970 Pull
1792NL-OP/HB-OP	532	562	677	656	179CA w/Rim Cylinder
1794NL-P/HB-P	705	735	1066	1045	9970 Pull 179CA w/Rim Cylinder

REFERENCE NOTES:

Devices are supplied 36" x 7' standard, if not specified.
Rim cylinder supplied standard with NL and HB options is C keyway.

Extra Length

	List Add
42"	19.00
48"	27.00

Device Options

	List Add
RX Switch	215.00
Base Exit Device unit modified Request to Exit Switch monitoring pushpad. Prefix device "RX".	
Electric Latch Retraction	579.00
Base Exit Device unit modified with Electric Latch Retraction. Prefix device "EL". The EL option is not field replaceable on this model.	
(One PS914 x 900-2RS is the minimum requirement to power one or two EL devices. See Power Supply Section for requirements and options.)	
Electric Dogging	579.00
Base Exit Device unit modified with Electric Dogging Prefix device "ED".	

REFERENCE NOTES:

For EL1790 Door widths other than the standard size (30", 36", 42" or 48"), please specify exact door width.
For non-standard widths, the price of the next widest standard size will apply.

Lever Control

Model No.	Description	P28 P13 P35	US15
179L	Lever Control	337	376
179L-BE	Lever Control, Blank Escutcheon	337	376
179L-NL	Lever Control, Night Latch	337	376

REFERENCE NOTES:

Lever Controls are Handed. Specify handing RHR or LHR.
179L Trims are field retrofittable with all 1790 Series Devices.
For initial installation requiring lever trim, the 1790EO is the suggested device to order with the 179L trims.
179L and L-NL require a 1 1/8" mortise cylinder with straight cam, sold separately.

Prices subject to change without notice

Offset Pull

Model No.		Non-Finish	DC13, DC35, US28	US26, US26D
9970 Pull		–	173	389
STUD.102	9970 Mounting Stud (Pkg Qty 10)	31	–	–

Replacement Cylinders

Model No.	Description	US26D, US10B
3216	Rim Cylinder C Keyway	92

Cylinder Assembly

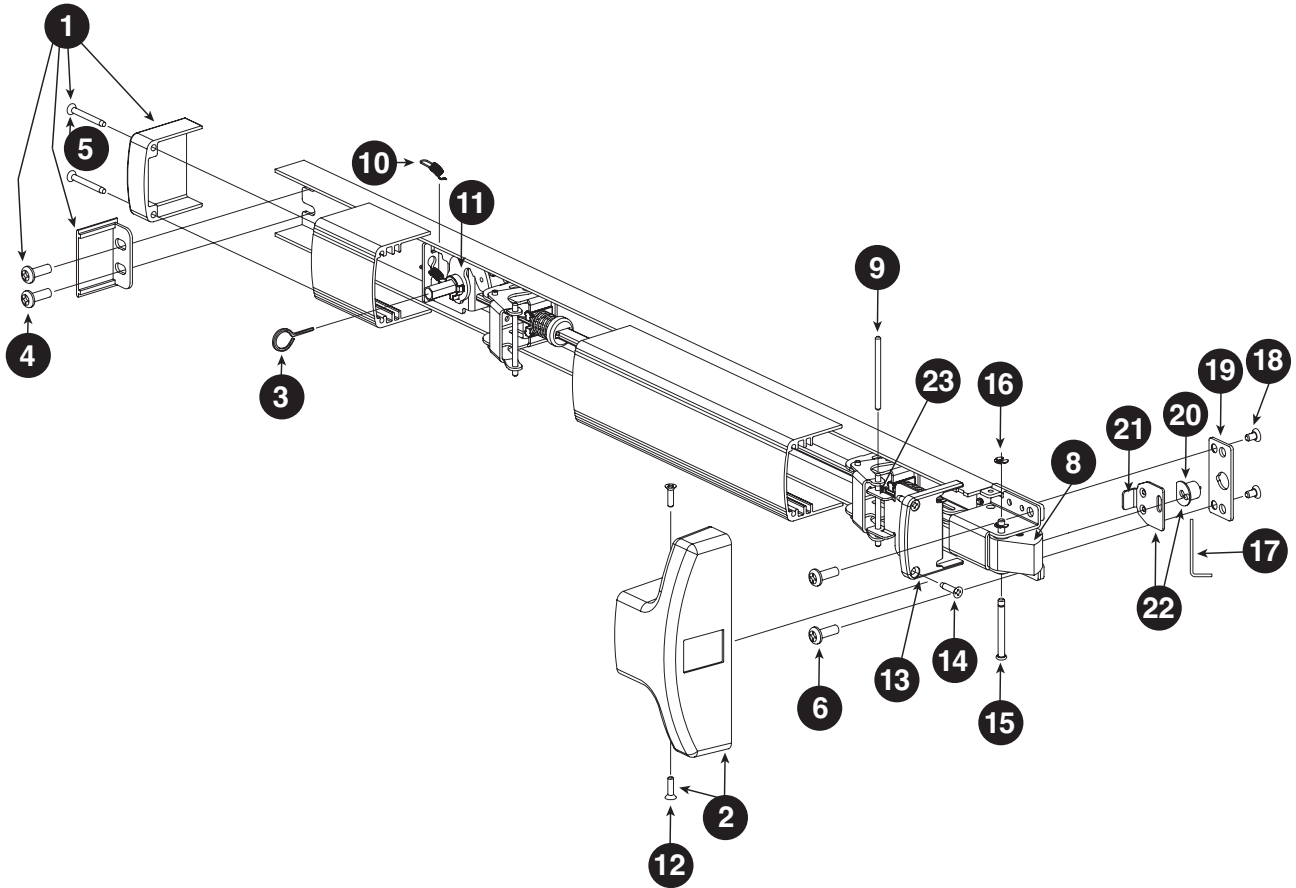
Model No.	Description	Non-Finish
179CA	Cylinder Assembly Less Cylinder	29

Strikes - Rim

Model No.	Description	Non-Finish	Black	P35
STK45	Strike for inactive door, pair of doors with 1590/1790/2090 devices	–	–	85
TD35	Strike for single doors, 1590 and 1790 device	–	–	116
SHIM.150	TD35 Strike Shim	–	26	–
SCREW.1016	TD35 Screw 10-32 x 1" FPHMS (Pkg Qty 25)	–	24	–
4270109590	TD35 Wear Strip	13	–	–
RIVET.101	TD35 Drive Rivet (Pkg Qty 25)	34	–	–

Prices subject to change without notice

EXITS
 Pushpads
 Commercial / Medium Duty
 1790 Series



Prices subject to change without notice

	Part No.	Description	Finish	Pkg. Qty	Price
1	ECAP.130	Channel/Hingeside End Cap Kit	-	each	28.00
2	COVER.120	Center Case Cover Kit	-	each	40.00
3	KEY.10020	Hex Dogging Key 5/32"	-	10	47.00
4	SCREW.1070	1/4-20 1/2" PPHMS Screw	-	10	13.00
5	SCREW.1072	#8 1.1/2" FPH TC Typ AB Screw (before September, 2004)	-	10	13.00
	SCREW.1143	8-18 1.1/4" FPH TF Typ 25	-	10	25.00
6	SCREW.1075	1/4-20 3/4" PPHMS Screw	-	10	14.00
	SCREW.1121	10-32 3/8" UFPH TF	US28	8	10.50
7	PKG.133	Auxiliary Package	-	each	10.50
8	LBOLT.105	Latch Assembly	-	each	63.00
	SWITCH.1006	RX Switch Wire Assembly (not shown) Valid for Field Install RX Option on Devices shipped after June, 2002	-	each	228.00
	050534-00	EL Potted Circuit Breaker (not shown)	-	each	314.00
	971687-00	EL Solenoid 24VDC (not shown)	-	each	256.00
	PLUNGER.101	EL Plunger (not shown)	-	each	74.00
	110388-00	EL Cable Assembly (not shown)	-	each	47.00
9	PIN.128	Pushbar Pin	-	10	13.00
10	971493-76	Dogging Spring	-	each	6.50
11	KIT.1197	Dogging Kit	US28	each	34.00
12	SCREW.1025	8 x 5/8" FPHTC Typ 25 (before July, 2006)	-	10	23.00
13	ECAP.129	Lock Stile End Cap	DC35	each	16.00
14	SCREW.1077	8-3/4" FPHSMS (before September, 2004)	BLACK	10	25.00
	SCREW.1141	8-18 .3/4" FPH TF Typ 25	-	10	19.00
15	969467-89	Latch Pin	-	each	10.50
16	RRING.105	Latch Pin Retaining Clip	-	10	13.00
17	4270109548	Short Arm Allen Wrench	-	each	6.50
18	SCREW.1150	10-32 3/8" UFPH MS	-	10	24.00
19	SPACER.107	1790 Channel Spacer	-	each	19.00
20	CAMASY.101	Drive Bushing	-	each	49.00
21	SLIDER.101	Slider	-	each	7.50
22	179CA	1790 NL/HB Cylinder Assembly	-	each	29.00
23	BRKT.128	Pushbar Anchor Bracket	-	each	9.50

1790 Pushbars on page 275

EXITS

Pushpads

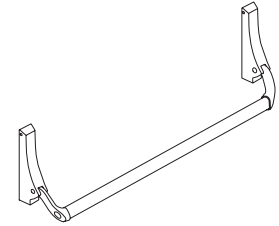
Commercial /
Medium Duty

1790 Series

Prices subject to change without notice

1990 Series

**Devices are priced for 3'8" x 7',
Aluminum or Hollow Metal Doors.
Hex Bottom Latch furnished standard.**
(Price includes PB48 Strike)



Model No.	P28	P13, P35	US26D	
1990EO	505	519	1269	—
1991DT	678	691	1658	9970 Pull
1992NL-OP/HB-OP	597	610	1361	Rim Cylinder only
1993NL/HB	768	783	1750	9970 w/Rim Cylinder

REFERENCE NOTES:

Rim cylinder supplied standard with NL and HB options is C keyway.

Optional Latches

Suffix		List Add
RL	Rod Bottom Latch	29.00
PL	Pullman Bottom Latch	29.00
ES	Top Latch for use with Electric Strikes Device Furnished LBR (Less Bottom Rod and Less Strike) deduct \$25.00 List	33.00

Door Heights over 7'

	List Add
Up to 8'	66.00
Up to 9'	84.00
Up to 10'	97.00

Crossbar

	List Add
Crossbar furnished 41" standard - Easily Cut for Job Fitting	
Extra Length Crossbar - 48" (Fits Door Width up to 51") - P28, P13, P35 finishes	21.00
Extra Length Crossbar - 48" (Fits Door Width up to 51") - Architectural finishes Less Crossbar, deduct \$119 List	30.00

REFERENCE NOTES:

Specify if Door Material other than Aluminum.
Not recommended for use on wood doors.

EXITS

Crossbars

Narrow Stile

1990 Series

Prices subject to change without notice

Offset Pull

Model No.		Non-Finish	DC13, DC35, US28	US26, US26D
9970 Pull		–	173	389
STUD.102	9970 Mounting Stud (Pkg Qty 10)	31	–	–

Replacement Cylinders

Model No.	Description	US26D, US10B
3216	Rim Cylinder C Keyway	92

Strikes - Concealed Vertical Rod

Model No.	Description	Non-Finish	P13, P35, US32D
PB48	Top strike for 1990/1490/1690/2390 devices.	–	25
SHIM.112	PB48 Strike Shim (Pkg Qty: 10)	26	–

EXITS

Crossbars

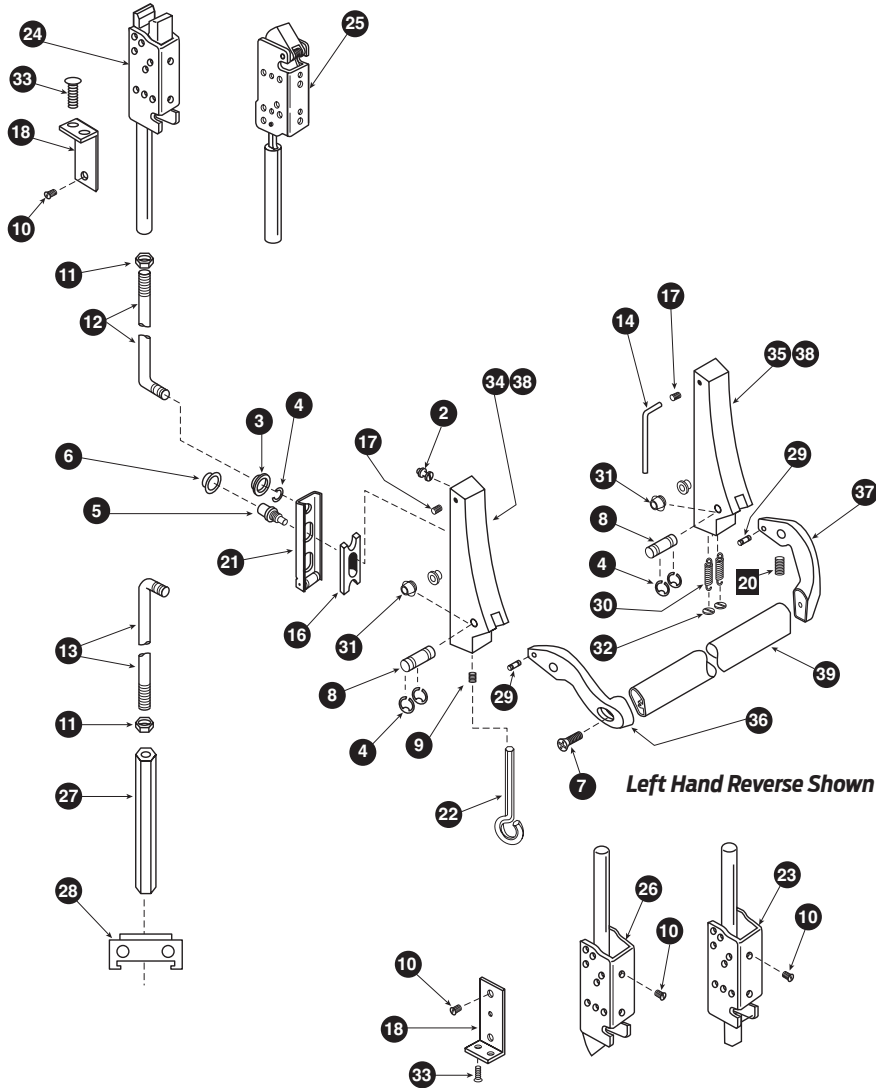
Narrow Stile

1990 Series

Prices subject to change without notice

1990 Exploded View And Parts List

(For Devices Furnished After 5/1/77)



EXITS

Crossbars

Narrow Stile

1990 Series

Part No.	Description	Finish	Pkg. Qty	Price
2	STUD.101 Case Mounting Stud	-	10	30.00
3	BUSH.109 Bearing Bushing	-	10	26.00
4	RRING.109 Retaining Ring .250	-	25	23.00
5	CAM.102 Pinion Cam	-	10	143.00
4270903177	Pinion Cam	-	each	23.00
6	BUSH.102 Cylinder Bushing	-	10	26.00
7	SCREW.1027 1/4-20 1" FPHTC Typ 23	US32D	10	39.00
	SCREW.1015 1/4-20 1" FPHTC Typ 23	BLACK	10	39.00
	PIN.115 1990 Axle Pin	-	10	133.00
9	SCREW.1022 Dog Screw	-	25	116.00
10	SCREW.1028 10-32 1/4" UFPHMS	US32D	10	25.00
	SCREW.1029 10-32 1/4" UFPHMS	BLACK	10	25.00
4270107322	1490 LHR/1590 RHR Push Label	GOLD	each	30.00

Prices subject to change without notice

(For Devices Furnished After 5/1/77)

	Part No.	Description	Finish	Pkg. Qty	Price
11	NUT.101	Rod Jam Nut	-	10	25.00
12	4270100017	SU/PL/ES/RL Rod	-	each	36.00
	4270102427	SU/PL/ES/RL Rod-1/4" Insulclad 7'	-	each	36.00
	4270102426	SU/PL/ES/RL Rod-1/4" Insulclad 8'	-	each	114.00
13	4270101825	Hex Bottom Rod	-	each	36.00
14	WRENCH.101	Allen Wrench	-	10	16.00
16	RETRACT.101	Rod Retractor	-	10	60.00
17	SCREW.1030	1/4-20 3/8" Hex Soc Set	US32D	25	33.00
	SCREW.1039	1/4-20 3/8" Hex Soc Set	BLACK	25	33.00
18	BRKTASY.101	Latch Mtg Bracket Kit-HMD	-	each	49.00
21	4270100013	Lift Bracket Assembly	-	each	26.00
22	KEY.101	Hex Dogging Key	-	10	39.00
23	● 4270100521	RL Bottom Latch	-	each	99.00
24	● 4270101806	SU Top Latch	-	each	116.00
25	● 4270100346	ES Top Latch	-	each	136.00
26	● 4270101482	PL Bottom Latch	-	each	99.00
27	4270101830	Hex Bottom Bolt	-	each	42.00
28	4270107176	Hex Rod Guide Assembly	US32D	each	40.00
	4270107178	Hex Rod Guide Assembly	P35	each	40.00
	SCREW.1076	Hex Rod Guide Screws	US28	10	9.50
	SCREW.1081	Hex Rod Guide Screws	DC13/DC35	10	9.50
	PIN.110	ES Latch Pin	-	10	24.00
	RETAIN.101	Case Retainer	-	10	26.00
	PIN.109	SU/ES/PL/HH Latch Spirol Pin	-	10	19.00
	4270100312	Crossbar Tie Rod	-	each	74.00
	RRING.103	End Case Retaining Ring	-	25	13.00
29	PIN.104	Spring Pin	-	10	25.00
30	SPRING.103	Tension Spring	-	10	33.00
31	BUSH.103	Axle Bushing	-	25	33.00
32	RETAIN.102	Spring Retainer	-	25	23.00
33	SCREW.1037	10-32 3/8" FPHMS	-	25	23.00
	● 4270106632	SU Top Rod Assembly 7' Dr	-	each	156.00
	● 4270106633	SU Top Rod Assembly 8' Dr	-	each	234.00
	● 4270101818	SU Top Rod Assembly 9' Dr	-	each	254.00
	● 4270101819	SU Top Rod Assembly 10' Dr	-	each	276.00
	● 4270101873	ES Top Rod Assembly 7' Dr	-	each	196.00
	4270101874	ES Top Rod Assembly 8' Dr	-	each	297.00
	● 4270100522	RL Bottom Rod Assembly	-	each	156.00
	4270101831	Hex Bottom Rod Assembly	-	each	81.00
	● 4270100266	PL Bottom Rod Assembly	-	each	160.00
	4270100018	SU Rod 8' Door	-	each	114.00
	4270100172	SU Ext Rod Kit Up to 9' Dr	-	each	101.00
	4270100197	SU Ext Rod Kit Up to 10' Dr	-	each	117.00

EXITS

Crossbars

Narrow Stile

1990 Series

Prices subject to change without notice

1990 Series

(For Devices Furnished After 5/1/77)

34 End Case Assy LH

Part No.	Finish	List Price
LH = Lock Stile assembly for LHR Device or Hinge Stile assembly for RHR Device		
4270902776	P28	210.00
4270902778	P13	233.00
4270902779	P35	233.00
CASE.223	US26D	679.00

36 Lever Arm LH

Part No.	Finish	List Price
LH = Lock Stile Lever Arm for LHR Device or Hinge Stile Lever Arm for RHR Device		
4270902799	P28	65.00
4270902802	P13	73.00
4270902803	P35	73.00
LARM.180	US26D	244.00

38 Housing Assembly

Part No.	Finish	List Price
(Includes housing, retainer spring, retainer, dog screw and mounting screws)		
4270902787	P28	148.00
4270902789	P13	148.00
4270902790	P35	148.00
HOUSING.231	US26D	424.00

35 End Case Assy RH

Part No.	Finish	List Price
RH = Lock Stile assembly for RHR Device or Hinge Stile assembly for LHR Device		
4270902782	P28	210.00
4270902784	P13	233.00
4270902785	P35	233.00
CASE.222	US26D	679.00

37 Lever Arm RH

Part No.	Finish	List Price
RH = Lock Stile Lever Arm for RHR Device or Hinge Stile Lever Arm for LHR Device		
4270902805	P28	65.00
4270902808	P13	73.00
4270902809	P35	73.00
LARM.188	US26D	244.00

39 Crossbar 41"

Part No.	Finish	List Price
4270900091	US28	148.00
4270900094	DC13	162.00
4270900095	DC35	162.00

Crossbar 48"

Part No.	Finish	List Price
CBAR.101	US28	169.00
CBAR.116	DC13	184.00
CBAR.135	DC35	184.00

REFERENCE NOTE:

1990/2090 Lever Arms & Housing Assemblies in US finishes are not compatible with 990/1090 components. Replace with appropriate end case assembly or active housing assembly.

Prices subject to change without notice

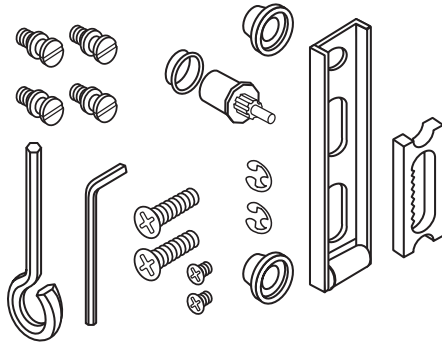
EXITS

Crossbars

Narrow Stile

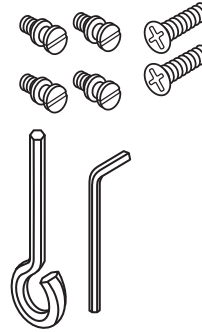
1990 Series

990 and 1990 Auxiliary Pkg.



Part Number	Finish	List Price
4270902091	US32D	49.00
4270902095	DC35	49.00

1090 and 2090 Auxiliary Pkg.



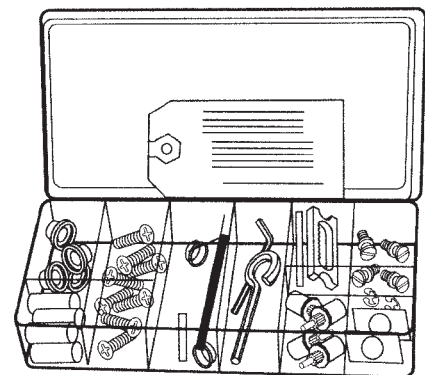
Part Number	Finish	List Price
4270902121	US32D	16.00
4270902125	DC35	16.00

Panic Device Repair Kit

Part Number	Description	List Price
4270100583	Complete Repair Kit	353.00
4270100582	Maintenance Kit Box only	28.00

Kit Includes:

	Part Number	Description	Replacement Pkg.	
12	RING.108	Retaining Rings	RRING.109	(pkg/25)
6	4270100130	1/4-20 x 3/8 Set Screws	SCREW.1030	(pkg/25)
6	BUSH.108	Bearing Bushing	BUSH.109	(pkg/10)
8	4270101753	Tension Springs	SPRING.103	(pkg/10)
2	4270100153	Dogging Screws	SCREW.1022	(pkg/25)
10	963128-00	10-32 x 1/4 UFPH MS	SCREW.1028	(pkg/10)
6	4299100213	1/4-20 x 1" FPH MS	SCREW.1027	(pkg/10)
3	4270100152	Spring Pins	PIN.104	(pkg/10)
1	4270100116	Dogging Key	KEY.101	(pkg/10)
1	963100-00	1/8" Allen Wrench	WRENCH.101	(pkg/10)
3	4270100110	Retractor	RETRACT.101	(pkg/10)
4	4270903177	Pinion Cams	CAM.102	(pkg/10)
8	4230100017	Center Case Mounting Studs	STUD.101	(pkg/10)
6	4270101778	Axle Bushings	BUSH.103	(pkg/25)
3	4270108353	PB48 Strike US32D		each
4	4270100663	Cylinder Bushings	BUSH.102	(pkg/10)
1	4270100013	Lift Bracket Assy		each
4	4270106997	Axle Pins	PIN.115	(pkg/10)
2	4270100026	3/16 x 13/16 Roll Pins	PIN.109	(pkg/10)
2	4270100075	3/16 x 9/16 Roll Pins	PIN.110	(pkg/10)
1	4270100299	Dogging Key Tag		each
12	4299100997	Retaining Rings	RRING.103	(pkg/25)
1	4270100582	Maintenance Kit Box		each
8	4270101782	1990 Spring Retainer	RETAIN.102	(pkg/25)
3	4270106349	SU Latchbolt		each



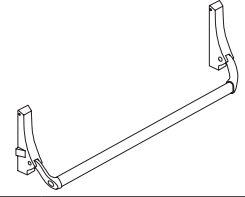
**Parts Kit For Easy Servicing
of 1990 Devices**

Prices subject to change without notice

2090 Series

Devices are priced for 3'8",
Aluminum or Hollow Metal Doors.

(Price includes SD36 Strike)



Model No.	P28	P13, P35	US26D	Standard Trim
2090EO	416	434	1177	–
2091DT	589	606	1566	9970 Pull
2092NL-OP/HB-OP	508	525	1269	Rim Cylinder only
2093NL/HB	680	698	1657	9970 w/Rim Cylinder

REFERENCE NOTES:

Rim cylinder supplied standard with NL and HB options is C keyway.

Crossbar

	List Add
Crossbar furnished 41" standard - Easily Cut for Job Fitting	
Extra Length Crossbar - 48" (Fits Door Width up to 51") - P28, P13, P35 finishes	21.00
Extra Length Crossbar - 48" (Fits Door Width up to 51") - Architectural finishes Less Crossbar, deduct \$119 List	30.00

REFERENCE NOTES:

Specify if Door Material other than Aluminum.
Specify Handing RHR or LHR. Not Reversible.

EXITS

Crossbars

Narrow Stile

2090 Series

Prices subject to change without notice

Offset Pull

Model No.		Non-Finish	US28, DC13, DC35	US26, US26D
9970 Pull		-	173	389
STUD.102	9970 Mounting Stud (Pkg Qty 10)	31	-	-

Replacement Cylinders

Model No.	Description	US26D, US10B
3216	Rim Cylinder C Keyway	92

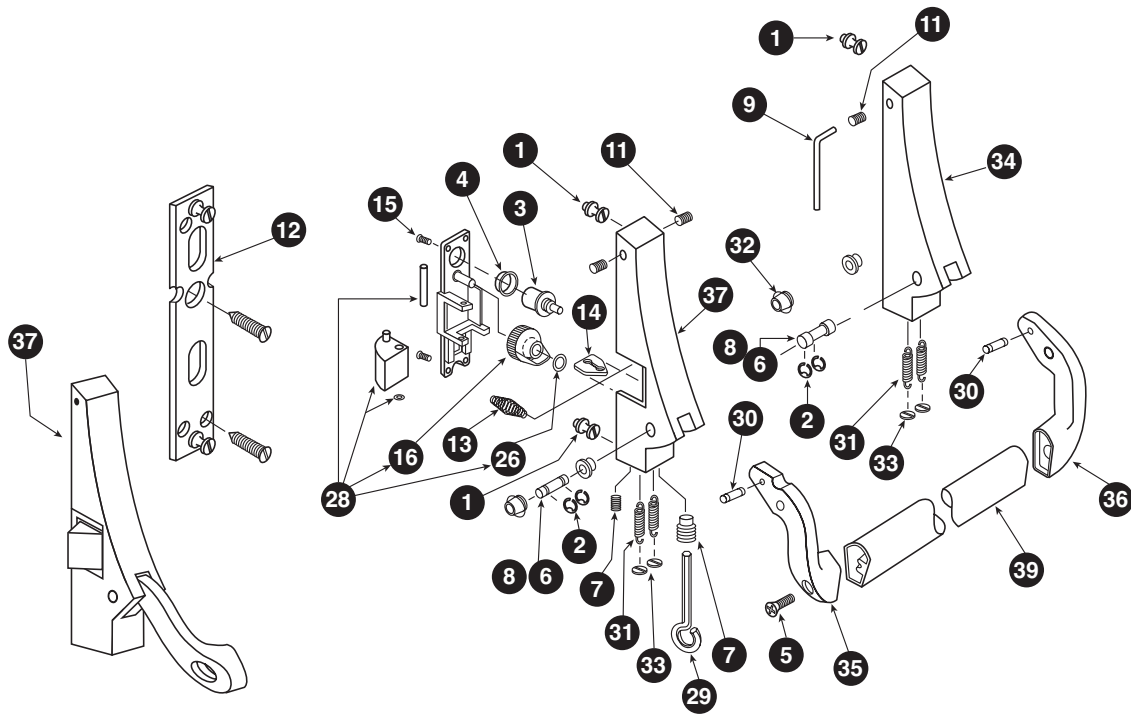
Strikes - Rim

Model No.	Description	P13, P28	P35
STK45	Strike for inactive door, pair of doors with 1590/1790/2090 devices	-	85
SD35	Strike for 1/3" x 1/2" blade stop, 2090 device.	83	83
SD36	Strike for all stops, 2090 device.	75	75
TD35	Strike for single doors, 1590 or 1790 device.	-	116

Prices subject to change without notice

2090 Series Exploded View And Parts List

(For Devices Furnished After 5/1/77)



Left Hand Reverse Shown

EXITS

Crossbars

Narrow Stile

2090 Series

Prices subject to change without notice

(For Devices Furnished After 5/1/77)

	Part No.	Description	Finish	Pkg. Qty	Price
1	STUD.101	Case Mounting Stud	-	10	30.00
2	RRING.103	Retaining Ring .250	-	10	13.00
3	CAM.102	Pinion Cam	-	10	143.00
	4270903177	Pinion Cam	-	each	23.00
4	BUSH.102	Cylinder Bushing	-	10	26.00
5	SCREW.1027	1/4-20 1" FPHTC TYP23	US32D	10	39.00
	SCREW.1015	1/4-20 1" FPHTC TYP23	BLACK	10	39.00
	PIN.115	2090 Axle Pin	US32D	10	133.00
	PIN.116	Latch Pivot Pin	-	10	13.00
7	SCREW.1022	Dog Screw	-	25	116.00
9	WRENCH.101	Allen Wrench	-	10	16.00
11	SCREW.1030	1/4-20 3/8" Hex Soc Set Screw	US32D	25	33.00
	SCREW.1039	1/4-20 3/8" Hex Soc Set Screw	BLACK	25	33.00
12	4270100304	Adapter Plate Assembly	-	2	30.00
13	SPRING.104	Latch Spring	-	10	16.00
14	4270101840	Latch Link	-	each	14.00
15	SCREW.1031	4-40 3/8" FL Posi-Drive Screw	-	10	14.00
16	RETRACT.102	Latchbolt Retractor	-	10	167.00
26	RRING.102	Retaining Ring .240	-	10	13.00
28	4270902968	2090 Backplate Assembly LHR	-	each	69.00
	4270902974	2090 Backplate Assembly RHR	-	each	69.00
29	KEY.101	Hex Dogging Key	-	10	39.00
	4270100312	Crossbar Tie Rod	-	each	74.00
30	PIN.104	Spring Pin	-	10	25.00
	SPRING.103	Tension Spring	-	10	33.00
32	BUSH.103	Axle Bushing	-	25	33.00
33	RETAIN.102	Spring Retainer	-	25	23.00

EXITS

Crossbars

Narrow Style

2090 Series

Prices subject to change without notice

2090 Series

(For Devices Furnished After 5/1/77)

34 End Case Assy LH

Part No.	Finish	List Price
LH = Hinge Stile assembly for RHR Device		
4270902776	P28	210.00
4270902778	P13	233.00
4270902779	P35	233.00
CASE.223	US26D	679.00

35 Lever Arm LH - Active

Part No.	Finish	List Price
LH = Lock Stile Lever Arm for LHR Device		
4270902763	P28	65.00
4270902766	P13	73.00
4270902767	P35	73.00
LARM.216	US26D	244.00

36 Lever Arm LH - End Case

Part No.	Finish	List Price
LH = Hinge Stile assembly for RHR Device		
4270902799	P28	65.00
4270902802	P13	73.00
4270902803	P35	73.00
LARM.180	US26D	244.00

35 End Case Assy RH

Part No.	Finish	List Price
RH = Hinge Stile assembly for LHR Device		
4270902782	P28	210.00
4270902784	P13	233.00
4270902785	P35	233.00
CASE.222	US26D	679.00

35 Lever Arm RH - Active

Part No.	Finish	List Price
RH = Lock Stile Lever Arm for RHR Device		
4270902769	P28	65.00
4270902772	P13	73.00
4270902773	P35	73.00
LARM.205	US26D	244.00

36 Lever Arm RH - End Case

Part No.	Finish	List Price
RH = Hinge Stile assembly for LHR Device		
4270902805	P28	65.00
4270902808	P13	73.00
4270902809	P35	73.00
LARM.188	US26D	244.00

REFERENCE NOTE:

1990/2090 Lever Arms & Housing Assemblies in US finishes are not compatible with 990/1090 components. Replace with appropriate end case assembly or active housing assembly.

Prices subject to change without notice

EXITS

Crossbars

Narrow Stile

2090 Series

(For Devices Furnished After 5/1/77)

37 Active Housing Assembly LH

Part No.	Finish	List Price
LH = Lock Stile assembly for LHR Device		
4270902740	P28	268.00
4270902742	P13	287.00
4270902743	P35	287.00
CASE.243	US26D	777.00

39 Crossbar 41"

Part No.	Finish	List Price
4270900091	US28	148.00
4270900094	DC13	162.00
4270900095	DC35	162.00

37 Active Housing Assembly RH

Part No.	Finish	List Price
RH = Lock Stile assembly for RHR Device		
4270902746	P28	268.00
4270902748	P13	287.00
4270902749	P35	287.00
CASE.229	US26D	777.00

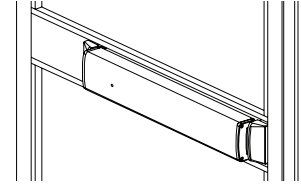
Crossbar 48"

Part No.	Finish	List Price
CBAR.101	US28	169.00
CBAR.116	DC13	184.00
CBAR.135	DC35	184.00

Prices subject to change without notice

2390 Series Concealed Vertical Rod Mid-Panel Exit Devices

Devices are priced for 42", 48" x 7',
Aluminum Doors.
Hex Bottom Latch furnished standard.
(Price includes PB48 Strike)



Model No.	Device Size	Fits Door Opening	US28	DC13, DC35,	Standard Trim
2390EO	21"	up to 42"	837	860	-
2390EO	24"	up to 48"	892	915	-
2392NL/HB-OP	21"	up to 42"	1032	1055	Mortise Cylinder Assy with Cylinder
2392NL/HB-OP	24"	up to 48"	1087	1110	Mortise Cylinder Assy with Cylinder
2395NL/HB-OP	21"	up to 42"	940	963	Mortise Cylinder Assy less Cylinder
2395NL/HB-OP	24"	up to 48"	995	1018	Mortise Cylinder Assy less Cylinder
2398 Dummy	21"	up to 42"	459	490	-
2398 Dummy	24"	up to 48"	492	523	-

NOTE: Must Specify centerline of device.

Optional Cylinder Kit

Model No.	Description	List Add
239CA	NL/HB Kit Less Cylinder	103.00
231CA	NL/HB Kit Less Cylinder w/ Schlage Cam B502-191	105.00
3215	Mortise Cylinder C Keyway	92.00
2" Door Kit	For Cylinder Operation	38.00

Optional Latches

Suffix	Description	List Add
RL	Rod Bottom Latch	29.00
PL	Pullman Bottom Latch	29.00
ES	Top Latch for use with Electric Strike	33.00

Device furnished LBR (Less Bottom Rod and Less Strike) deduct \$24.00 List

Accessories

	Description	List Add	
■ Long Top Rod	For Door Height from 7' to 8'	26.00	
■ Top Rod with Extension	For Door Height from 8' to 9'	85.00	
■ Top Rod with Extension	For Door Height from 9' to 10'	97.00	
Extension Rod Kit	For Door Height 7' to 10' Field Installation - Part #EXTROD.1001	134.00	
Filler Plate	Up to 42" Door, 16 1/2" Filler Plate	US28	28.00
		DC13, DC35, Champagne	30.00
	Up to 48" Door, 19 1/2" Filler Plate	US28	29.00
		DC13, DC35, Champagne	31.00

REFERENCE NOTES:

Rod Length requirement varies with device mounting height.

Strikes - Concealed Vertical Rod

Model No.	Description	Non-Finish	P13, P35, US32D
PB48	Top strike for 1990/1490/1690/2390 devices.		25.00

2390 Device Options

		List Add
RX Switch	Base Exit Device unit modified Request to Exit Switch monitoring pushpad. Prefix device "RX".	215.00
Electric Latch Retraction	Base Exit Device unit modified with Electric Latch Retraction. Prefix device "EL". The EL option is not field replaceable on this model.	579.00

(One PS914 x 900-2RS is the minimum requirement to power one or two EL devices.
See Power Supply Section for requirements and options.)

Prices subject to change without notice

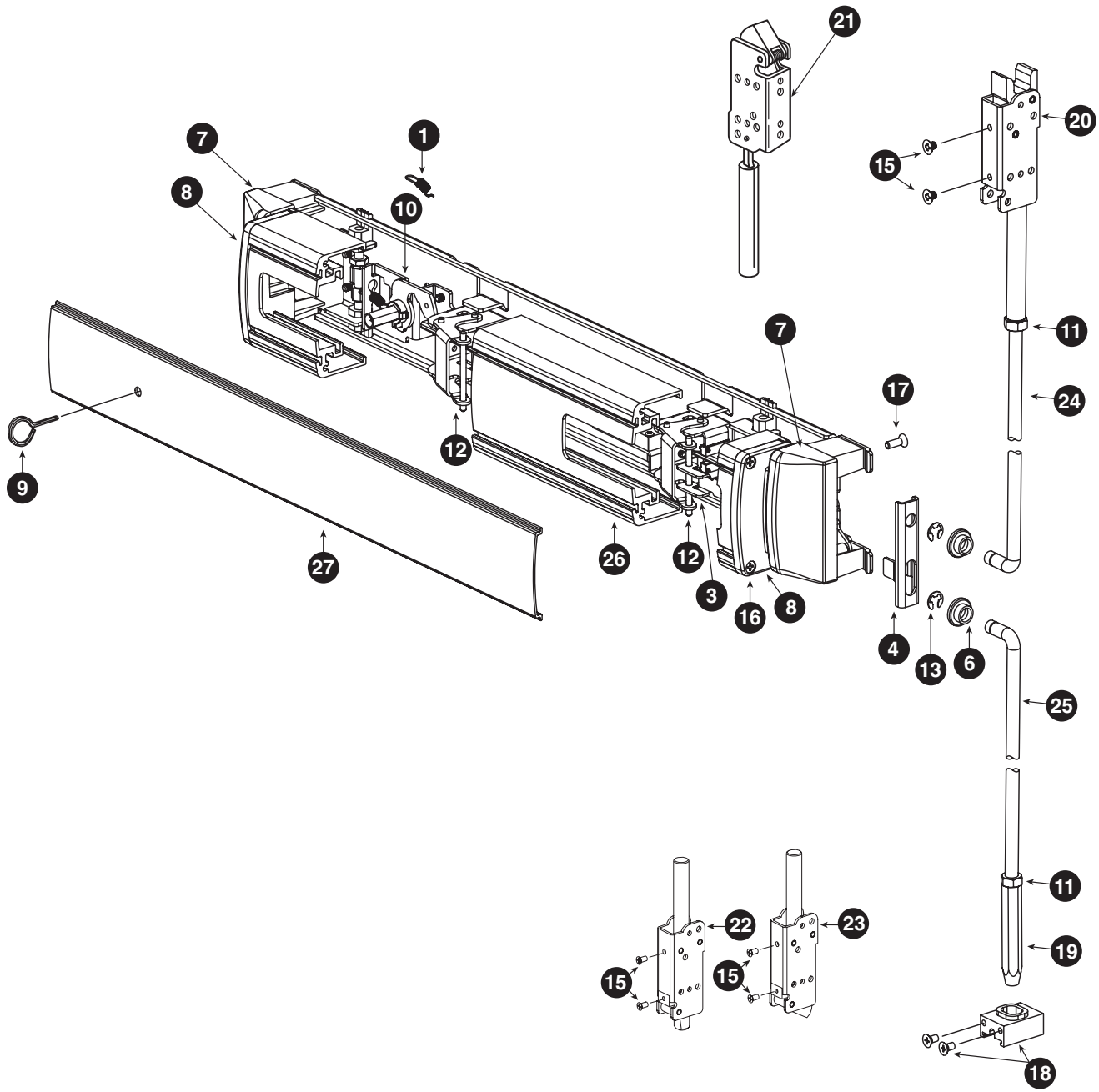
Prices subject to change without notice

EXITS

Recessed

Concealed Vertical
Mid-Panel

2390 Series



Prices subject to change without notice

	Part No.	Description	Finish	Pkg Qty	List Price
1	971493-76	Dogging Spring	-	each	6.50
2	AXLE.1006	Lift Lever Axle	-	each	6.50
3	BRKT.137	Pushbar Anchor Bracket	-	each	16.00
4	BRKT.143	Lift Bracket	-	each	16.00
5	BRKTASY.107	Actuator Arm Bracket Assembly	-	each	16.00
6	BUSH.109	Bearing Bushing	-	10	26.00
7	COVER.127	Fixed Cover	-	each	36.00
8	ECAP.143	Moving Pushbar End Cap	-	each	14.00
9	KEY.10020	Hex Dogging Key 5/32"	-	10	47.00
10	KIT.1197	Dogging Kit	-	each	34.00
11	NUT.101	Rod Jam Nut	-	10	25.00
12	PIN.128	Pushbar Pin	-	10	13.00
	PKG.134	Mounting Package (parts 4,6,9,13,15 on page 294)	US32D	each	26.00
	PKG.135	Mounting Package (parts 4,6,9,13,15 on page 294)	DC35	each	26.00
13	RRING.109	Retaining Ring .250	-	25	23.00
15	SCREW.1028	10-32 1/4" UFPHMS	US32D	10	25.00
	SCREW.1029	10-32 1/4" UFPHMS	BLACK	10	25.00
16	★ SCREW.1077	#8 3/4" FPH TF AB Screw (before September, 2004)	-	10	25.00
	SCREW.1141	8-18 .3/4" FPH TF Typ 25	-	10	19.00
17	SCREW.1088	12-14 1/2" UFPH MS Typ 25 Screw	-	10	19.00
	SCREW.1121	10-32 3/8" UFPH TF	US28	8	10.50
	SCREW.1114	10-32 3/8" UFPH TF	DC13/DC35	8	10.50
	SCREW.1076	Hex Rod Guide Screws	US28	10	9.50
	SCREW.1081	Hex Rod Guide Screws	DC13/DC35	10	9.50
	EXTROD.1001	Extension Rod Kit (not shown)	-	each	134.00
18	4270107176	Hex Rod Guide Assembly	US32D	each	40.00
	4270107178	Hex Rod Guide Assembly	P35	each	40.00
19	BOLT.1004	Hex Bottom Bolt-Beveled	-	each	47.00
20	4270101806	SU Top Latch	-	each	116.00
21	4270100346	ES Top Latch	-	each	136.00
22	4270100521	RL Bottom Latch	-	each	99.00
23	4270101482	PL Bottom Latch	-	each	99.00
	PIN.110	ES Latch Pin	-	10	24.00
	PIN.109	SU/ES/PL/HH Latch Spirol Pin	-	10	19.00
	● SWITCH.1006	RX Switch Wire Assembly (not shown) Valid for Field Install RX Option on Devices shipped after June, 2002	-	each	228.00
	110388-00	EL Cable Assembly (not shown)	-	each	47.00
	050534-00	EL Potted Circuit Breaker (not shown)	-	each	314.00
	971687-00	EL Solenoid 24VDC (not shown)	-	each	256.00
	PLUNGER.101	EL Plunger (not shown)	-	each	74.00
24	ROD.1043	Top Rod 34.000", CL=42.5, DH=83.1875"	-	each	36.00
	4270103324	Top Rod 35.500", CL=41.25, DH=83.1875"	-	each	36.00
	ROD.1082	Top Rod 39.000", CL=37.875, DH=83.1875"	-	each	36.00
	ROD.1036	Top Rod 36.500", CL=40, DH=83.1875"	-	each	36.00
25	ROD.1080	Bottom Rod 40.000", CL=42.500"	-	each	36.00
	ROD.1044	Bottom Rod 38.500", CL=41.250"	-	each	36.00
	4270100017	Bottom Rod 35.125", CL=37.875"	-	each	36.00
	ROD.1011	Bottom Rod 37.500", CL=40"	-	each	36.00
	KIT.1128	2390 LBR KIT	-	each	16.00

REFERENCE NOTES:

- RX Switch Kit valid for Field Install RX option on devices shipped after June, 2002
- ★ For Devices shipped before September, 2004.

Prices subject to change without notice

2390 Series (continued)

	Part No.	Description	Finish	List Price	
26	EXT.3000	Pushbar 21"	US28	160.00	
	EXT.3001	Pushbar 21"	DC13	172.00	
	EXT.3002	Pushbar 21"	DC35	172.00	
	EXT.3003	Pushbar 21"	Champagne	172.00	
	EXT.3004	Pushbar 24"	US28	186.00	
	EXT.3005	Pushbar 24"	DC13	205.00	
	EXT.3006	Pushbar 24"	DC35	205.00	
	EXT.3007	Pushbar 24"	Champagne	205.00	
	27	EXT.3008	Coverplate 21"	US28	63.00
		EXT.3009	Coverplate 21"	DC13	71.00
		EXT.3010	Coverplate 21"	DC35	71.00
		EXT.3011	Coverplate 21"	Champagne	71.00
		EXT.3012	Coverplate 24"	US28	69.00
		EXT.3013	Coverplate 24"	DC13	81.00
		EXT.3014	Coverplate 24"	DC35	81.00
		EXT.3015	Coverplate 24"	Champagne	81.00
		EXT.3050	EL Coverplate 21"	US28	63.00
		EXT.3051	EL Coverplate 21"	DC13	71.00
		EXT.3052	EL Coverplate 21"	DC35	71.00
		EXT.3053	EL Coverplate 21"	Champagne	71.00
		EXT.3054	EL Coverplate 24"	US28	69.00
		EXT.3055	EL Coverplate 24"	DC13	81.00
		EXT.3056	EL Coverplate 24"	DC35	81.00
		EXT.3057	EL Coverplate 24"	Champagne	81.00
		CHASY.147	Channel Assembly 36" Door (supplied for field sizing)	US28	104.00
		CHASY.160	Channel Assembly 36" Door (supplied for field sizing)	DC13	126.00
CHASY.107		Channel Assembly 36" Door (supplied for field sizing)	DC35	126.00	
CHASY.158		Channel Assembly 36" Door (supplied for field sizing)	Champagne	168.00	
CHASY.108	Channel Assembly 48" Door (supplied for field sizing)	US28	118.00		
CHASY.109	Channel Assembly 48" Door (supplied for field sizing)	DC13	170.00		
CHASY.125	Channel Assembly 48" Door (supplied for field sizing)	DC35	170.00		
CHASY.207	Channel Assembly 48" Door (supplied for field sizing)	Champagne	170.00		
EXT.2927	Filler Plate 16.50", 42" Door (supplied for field sizing)	US28	33.00		
EXT.2949	Filler Plate 16.50", 42" Door (supplied for field sizing)	DC13	36.00		
EXT.2950	Filler Plate 16.50", 42" Door (supplied for field sizing)	DC35	36.00		
EXT.2951	Filler Plate 16.50", 42" Door (supplied for field sizing)	Champagne	36.00		
EXT.440	Filler Plate 19.50", 48" Door (supplied for field sizing)	US28	34.00		
EXT.445	Filler Plate 19.50", 48" Door (supplied for field sizing)	DC13	36.00		
EXT.450	Filler Plate 19.50", 48" Door (supplied for field sizing)	DC35	36.00		
EXT.2244	Filler Plate 19.50", 48" Door (supplied for field sizing)	Champagne	36.00		
●	RODASY.10001	Top Rod Assy RHR AL=40.176", CL=42.500", DH=83.1875"		156.00	
●	RODASY.10002	Top Rod Assy RHR AL=41.426", CL=41.250", DH=83.1875"		156.00	
●	RODASY.10003	Top Rod Assy RHR AL=44.801", CL=37.875", DH=83.1875"		183.00	
●	RODASY.10004	Top Rod Assy RHR AL=42.676", CL=40", DH=83.1875"		156.00	
●	RODASY.10005	Top Rod Assy RHR AL=41.489", CL=41.250", DH=83.1875"		156.00	
●	RODASY.10006	Top Rod Assy LHR AL=40.176", CL=42.500", DH=83.1875"		156.00	
●	RODASY.10007	Top Rod Assy LHR AL=41.426", CL=41.250", DH=83.1875"		156.00	
●	RODASY.10008	Top Rod Assy LHR AL=44.801", CL=37.875", DH=83.1875"		183.00	
●	RODASY.10009	Top Rod Assy LHR AL=42.676", CL=40", DH=83.1875"		156.00	
●	RODASY.10010	Top Rod Assy LHR AL=41.489", CL=41.250", DH=83.1875"		156.00	
●	RODASY.10011	Bottom Rod Assy AL=41.877", CL=42.500"		81.00	
●	RODASY.10012	Bottom Rod Assy AL=40.627", CL=41.250"		81.00	
●	RODASY.10013	Bottom Rod Assy AL=37.252", CL=37.875"		81.00	
●	RODASY.10014	Bottom Rod Assy AL=39.377", CL=40"		81.00	

REFERENCE NOTES:

- Complete rod and latch assembly includes standard rod (4270100017) and (Nut.101).

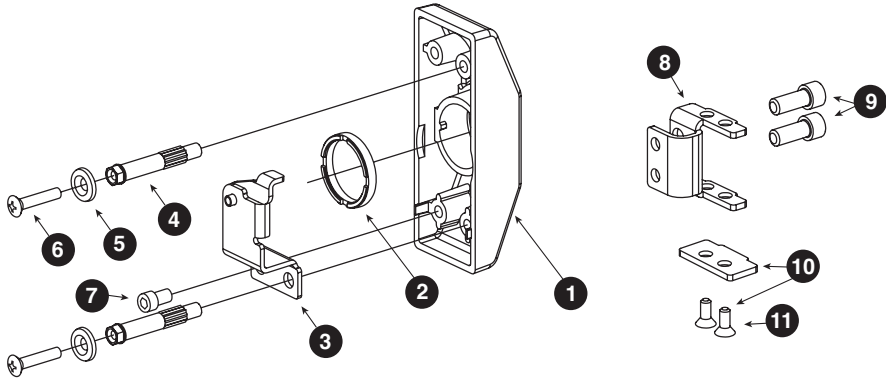
Prices subject to change without notice

EXITS

Recessed

Concealed Vertical Mid-Panel

2390 Series



Part No.	Description	Finish	Pkg Qty	List Price
1	HOUSING.123 2390 Cylinder Housing	P28	each	90.00
	HOUSING.124 2390 Cylinder Housing	P13	each	90.00
	HOUSING.125 2390 Cylinder Housing	P35	each	90.00
2	971974-00 Mortise Locking Collar	-	each	14.00
3	BRKTASY.118 2390 NL/HB Bracket Assembly	-	each	42.00
4	971585-89 Mounting Stud	-	each	12.00
5	WASHER.120 #10 Countersunk Washer	DC35	10	14.00
5	WASHER.121 #10 Countersunk Washer	US32D	10	14.00
6	SCREW.1083 10-24 x 1" OPHMS	US32D	10	16.00
7	SCREW.1082 1/4-20 x 3/8" SHCS	-	10	16.00
8	BRKT.152 2390 Rod Lift Bracket	-	each	25.00
9	SCREW.1084 1/4-28 x 3/4" SHCS	-	10	19.00
10	BRKTASY.155 Lift Bracket Kit - 2" Door	-	each	46.00
11	SCREW.1085 8-18 x 5/16" UFPHMS AB Screw	-	each	16.00

Strike

Part No.	Description	Finish	Pkg Qty	List Price
SHIM.112	PB48 Strike Shim	-	10	26.00
SCREW.1038	Screw 8-32 x 1/2" UFPHMS	BLACK	25	16.00
SCREW.1032	Screw 8-32 x 1/2" UFPHMS	US32D	25	16.00

Prices subject to change without notice

Exit Accessories

Mullions

Model No.	Description	Finish	List Price					
			7'2"	7'3"	8'2"	8'3"	9'2"	10'2"
4023	Steel Mullion (2" x 3") For use with 25/24/19/XX Rim Devices only	SP28	423	—	458	—	—	533
F4023	Steel Mullion (2" x 3") Fire Rated for use with 25/24/19/XX Fire Rated Rim Devices only	SP28		606	—	655	—	—
2923	Steel Mullion (1 1/2" x 2 1/2") For use with 25/24/19/XX Rim Devices only	Black Prime Coat	378	—	408	—	441	—
4423	T Shaped Steel Mullion for use with 24-R Device only (4396 Adjustable Strike Supplied)	Black Prime Coat	1050	—	1073	—	—	—
RM70	Aluminum Mullion for use with 2090 Rim Devices only (STK70 Adjustable Mortise Strike Supplied)	US28	769	—	827	—	890	952
		DC13/DC35	815	—	876	—	934	996
RM150	Aluminum Mullion for use with 1590 Rim Devices only (STK150 Adjustable Mortise Strike Supplied)	US28	783	—	847	—	907	969
		DC13/DC35	827	—	891	—	955	1019
RM170	Aluminum Mullion for use with 1790 Rim Devices only (STK170 Adjustable Mortise Strike Supplied)	US28	769	—	827	—	890	952
		DC13/DC35	815	—	876	—	934	996

REFERENCE NOTES:

- 1) Mullions shipped complete with mounting brackets, screws, and stabilizers (for Aluminum Mullions). Strikes are not included, except where indicated. Order with exit devices when required.
- 2) Aluminum Mullions for use with doors with stiles as narrow as 1 1/4", reinforced with steel insertions.
- 3) Blank Mullions (without strike preparation) are available at the same price as standard Mullions. Consult factory for more information.
- 4) Mullions can be cut down in field if unique heights under 10'2" are required.
- 5) Steel Mullions 4023 and F4023 now ship with a new design. Part purchased prior to September 1, 2014 are not retrofittable.

Mullion Options

Model No.	Description	Finish	List Adder
KR	KR-4023 Mullion Keyed Removable Mullion option for use with 25/24/19/XX Rim Devices only	SP28	385
	KR-F4023 Mullion Keyed Removable Fire rated Mullion option for use with 25/24/19/XX Fire Rated Rim Devices	SP28	574

Accessories

Model No.	Description	Finish	List Price
050168	Keyed Removable Kit for existing 4023 Mullion	SP28	500
050169	Keyed Removable Kit for existing F4023 Mullion	SP28	550

REFERENCE NOTES:

- 1) Steel Mullions 4023 and F4023 now ship with a new design. Parts purchased prior to September 1, 2014 are not retrofittable.

Parts

Model No.	Description	Finish	List Price
050335	Top Fitting for 4023 Mullion	SP28	71.00
050391	Top Fitting for F4023 Mullion	SP28	182.00
050390	Bottom Fitting for 4023 and KR-4023 Mullion	SP28	69.00
050392	Bottom Fitting for F4023 and KR-F4023 Mullion	SP28	182.00
971212	KR-4023 Mullion Adjustment Shim Plate	Non-finished	12.00
971313	KR-F4023 Mullion Adjustment Shim Plate	SP28	44.00
971340	KR-4023 Mullion Top Fitting	SP28	107.00
971312	KR-F4023 Mullion Top Fitting	SP28	123.00
971328	KR-4023/KR-F4023 Mullion Cylinder Locking Washer	Non-finished	18.00
050054	(KR)(F)4023 Mullion Stabilizers (set of 4, 2 attach to the mullion and 2 attach to the door)	SP28	97.00
050526	KR-4023/KR-F4023 Mullion Cylinder Lock Nut	Non-finished	14.00
900409	KR-4023 Mullion Mounting Package	SP28	74.00
900410	KR-F4023 Mullion Mounting Package	SP28	62.00
900411	KR-F4023 Bottom Fitting Screw Package	Non-finished	25.00
900413	KR-F4023 Top Fitting Screw Package	Non-finished	25.00
971187	KR Inner Mullion Back Cover Plate	SP28	25.00
060104	Top Fittings for 2923 Mullion	Non-finished	55.00
060105	Bottom Fittings for 2923 Mullion	Non-finished	55.00
060107	Top Fittings for 4423 Mullion	Non-finished	83.00
060108	Bottom Fittings for 4423	Non-finished	83.00
525	Aluminum Mullion Stabilizers (set of 2)	US28	46.00
		DC13/DC35	50.00
STK70	Adjustable Mortise Strikes (pair) for use with 2090 Device /RM70 Aluminum Mullion	US32D	113.00
STK150	Adjustable Mortise Strikes (pair) for use with 1590 Device /RM150 Aluminum Mullion	US32D	113.00
STK170	Adjustable Mortise Strikes (pair) for use with 1790 Device /RM170 Aluminum Mullion	US32D	113.00

REFERENCE NOTES:

- 1) Steel Mullions 4023 and F4023 now ship with a new design. Parts listed above are not retrofittable to mullions purchased prior to September 1, 2014. Please consult factory for more information

Prices subject to change without notice

Mullion

Part No.	Description	Finish	Pkg Qty	List Price
4270108954	RM170 Mullion Bracket Pkg	-	each	92
4270107489	RM150 Mullion Bracket Pkg	-	each	87
4270108999	Mullion Adapter Plate	P28	each	67
4270109000	Mullion Adapter Plate	P13	each	67
4270109001	Mullion Adapter Plate	P35	each	67

Sex Bolts

Model No.	Description	Screw	BRS US10B US26D	US3, US4 US10, SP313 US32, US32D
2729P	Package of 1 - Includes Machine Screw	10-24 3/4" PPHMS	10	-
2729F	Package of 1 - Includes Machine Screw	10-24 3/4" FPHMS	10	-
4122	Package of 1 - Includes Machine Screw	1/2-20 3/4" PPHMS	10	-
325	Package of 2	1/4-20	-	26
425	Package of 2	10-24	-	26

Delayed Egress System

Model No.	Description	List Price
DE5300	Logic Controller *15 Second Release Delay furnished standard	1000

REFERENCE NOTES:

- 1) Designed to meet both life safety and security & NFPA 101 for "Special Locking Arrangement" and IBC "Special Egress-Control Devices"
- 2) Release delay over 15 seconds requires a letter of approval from Authority Having Local Jurisdiction. Letter must accompany sales order at time of submission. Order cannot be processed without the letter.
- 3) A complete delayed egress system requires several components that must be ordered separately:
 - a. 24 / 25 Device containing a RX switch option
 - b. Power Supply PS902 minimum recommendation (See Power Supply section for more information)
 - c. Electronic Power Transfer (EPT) or Power Transfer Hinge
 - d. Magnetic Locks – Recommended Schlage electronics M420, M450 or M490 (See Schlage Electronics Security Price Book for more information.)
 - e. 1-1/4" Mortise Cylinder with Straight Cam installed with a compression ring

Shared Components

Shared components will receive the lower discount (ie components shared with Von Duprin will receive the Von Duprin discount instead of the Falcon discount).

Prices subject to change without notice

Numerical Index - Exits

EXITS

Part No.	Page
28	190
299	197, 229
525	298
603	192, 225
2130	201, 205, 237, 257
3518	190
3530	190
3542	190
3722	249
3777	192, 201
3788	201, 235, 257
4107	249, 253, 255
4108	249, 253, 255
4120	226
4121	226
4122	253, 255
4188	205, 237
4208	194, 227
4270	226, 250
4286	249, 257
4288	249, 257
4349	226, 250
4450	225, 235
4567	192, 205, 225, 237
4694	192, 205, 225, 237
4832	192, 207, 239
4833	192, 207, 225, 239
4834	192, 207, 225, 239
4835	192, 207, 225, 239
5494	192, 201, 205, 207, 225, 235, 237, 239, 249
8500	209
050054	298
050335	298
050390	298
050391	298
050392	298
050526	250, 298
050534	191, 224
060104	298
060105	298
060107	298
060108	298
060109	191, 194, 197, 199, 203, 204, 207, 209, 224, 227, 229, 231, 233, 236, 238, 249, 253, 255
060110	249, 253, 255
060111	191, 194, 201, 205, 207, 224, 227, 235, 237, 239, 257
060112	194, 227
060113	194, 227, 257
060114	194, 227, 257
060115	194, 227
060116	194, 227
060117	194, 227
060118	194, 227
060119	194, 227
060120	194, 227
060121	194, 227
060122	194, 227
060123	194, 227
060124	194, 227
060125	194, 227
060126	194, 227
060136	226
060137	226
090041	193
090978	233
600161	250
600166	250
600173	194, 227
600272	193
600273	193
600274	193
600275	193
600276	193
600277	193, 194, 227

Part No.	Page
600278	193, 194, 227
600279	193, 194, 227
600280	193
600281	193
600282	193
600283	193, 194, 226, 227, 250
600284	193
600285	193
600286	193
600287	193
600288	193, 226
600289	193
600290	193
600293	193
600294	193
600295	193
600296	193
600297	193
600298	193, 226
600299	193, 226
600300	193, 226
600301	193, 226
600305	191, 194, 197, 199, 203, 209, 224, 227, 229, 231, 233
600307	191, 194, 199, 203, 209, 224, 227, 231, 233
600307	197, 229
600308	191, 194, 199, 203, 209, 227
600309	191, 194, 199, 203, 227
600310	191, 197, 199, 203, 209, 224, 229, 231, 233
600315	250
600319	191, 194, 197, 199, 203, 209, 224, 227, 229, 231, 233
600320	191, 224
600321	191, 224
600335	190
600336	190
600337	193, 226
600339	226, 250
600346	250
610045	249, 257
610055	192, 201
610056	225, 235
610057	192, 205, 207, 225, 237, 239
610061	192, 205, 207, 225, 237, 239
610480	191, 224, 249, 253, 255
640001	194, 227
640002	194, 227
650006	201, 235, 248, 257
650007	201, 235, 248, 257
650008	201, 235, 248, 257
650017	205, 207, 237, 239
650018	205, 207, 237, 239
650019	205, 207, 237, 239
650106	190
650107	190
650108	190
650116	224
650117	224
650119	191
650120	191
650121	224, 229, 231, 233
650122	224, 229, 231, 233
650131	224
650132	224
650135	191
650136	191
650139	224
650140	224
650143	191
650144	191
650147	189
650148	189
650151	226
650152	226
650153	226

Part No.	Page
650154	226
650157	226
650158	226
650161	226
650162	226
650165	226
650166	226
650167	189
650168	189
650169	226
650170	226
650173	226
650174	226
650177	226
650178	226
650181	226
650182	226
650185	226
650186	226
650187	224, 229, 231, 233
650188	224, 229, 231, 233
650189	226
650190	226
650191	191, 197, 199, 203, 209
650192	191, 197, 199, 203, 209
650201	224, 231, 235
650202	192, 201, 225, 235
650227	191, 197, 199, 203, 209
650228	191, 197, 199, 203, 209
650231	193, 194, 227
650232	193
650234	224
650234	229
650235	193
650236	224, 231
650237	193
650238	224, 233
650239	191, 197
650240	191, 197
650242	191, 199
650244	191, 203
650246	191, 209
650247	224, 229
650249	224, 229
650251	224, 231
650253	224, 233
650255	191, 197
650257	191, 199
650259	191, 203, 209
650261	191, 199, 203, 209
650262	191, 199
650263	191, 203
650265	191, 224
650266	190
650267	193, 194, 227
650277	194, 227
650278	193
650293	191, 197, 209
650294	191, 194, 197, 198, 203, 208, 224, 227, 229, 231, 233
650295	191, 199, 201
650296	191, 205, 207
650297	249, 253, 255
650298	224, 239
650299	191, 205, 207
650300	191, 205, 224, 237
650302	224, 229
650303	249, 253, 255
650304	224, 231, 235
650307	249, 253
650308	249, 255
650309	249, 255
650311	192, 194, 201, 225, 227, 235
650312	226
650313	226
650314	226, 250
650315	191, 199, 201
650316	191, 199, 201
650317	191, 204, 224, 236

Part No.	Page
650318	191, 205, 224, 237
650320	249, 253, 255
650324	224, 229
650325	224, 231, 235
650326	224, 238, 239
650327	224, 226, 237, 239
650328	249, 253
650329	249, 253
650330	249, 255
650331	249, 255
650334	249
650336	192, 201, 225, 235
650337	249, 257
650338	249
650339	192, 205, 207, 225, 237, 239
650343	249, 253, 255
650345	191, 197, 209
650346	191, 205, 224, 237
650348	191, 197, 198, 203, 209, 224, 229, 231, 233
650351	225, 237, 239
650355	250
650356	250
650358	250
650359	189, 191, 224
650360	249, 253, 255
650361	249, 253, 255
650366	226
650371	250
650374	249, 253
650375	192, 201, 225, 235, 249
650376	192, 205, 207
650377	191, 209
650378	191, 209
650384	249, 253
650385	249, 255
650386	249, 257
650387	192, 201, 225, 235, 249, 257
650388	249, 257
650389	192, 201, 225, 235, 249, 257
650390	249, 255
650391	249, 255
650392	249, 255
650393	249, 255
650398	191, 209
650712	191, 224
650713	191, 224
650714	191, 224
650715	191, 224
650716	224
650717	224
660002	192, 201, 225, 235, 249, 257
660136	249
661408	224, 229, 231, 233
661409	224, 229, 231, 233
661412	191, 197, 199, 203, 209
661413	191, 197, 199, 203, 209
661472	190
661473	190
661560	226
661565	250
900409	298
900410	298
900411	298
900413	298
970321	194, 227
971187	298
971212	298
971312	298
971313	298
971328	298
971340	298
3894-000	194, 227
050534-00	268, 275, 279, 295
090978-00	224

Prices subject to change without notice

Part No.	Page	Part No.	Page	Part No.	Page	Part No.	Page
110388-00	268, 275, 279, 295	4270107033.....	264	4270107787	270	BRKT.143.....	295
47266630.....	189	4270107034.....	264	4270107791	269	BRKT.152.....	297
47266631.....	189	4270107035.....	264	4270107833.....	270	BRKT.156.....	275
47270546.....	189	4270107036.....	264	4270108353.....	285	BRKT.478.....	273
47270547.....	189	4270107038.....	264	4270108426.....	269	BRKTASY.101 ...	274, 283
963100-00	285	4270107039.....	264	4270108763.....	268	BRKTASY.107 ...	274, 295
963128-00.....	285	4270107040.....	264	4270108954.....	299	BRKTASY.118 ...	297
969467-89	279	4270107046.....	266	4270108999.....	299	BRKTASY.155 ...	297
971493-76.....	274, 279, 295	4270107047.....	266	4270109000.....	299	BUMPER.103....	263
971585-89	297	4270107048.....	266	4270109001.....	299	BUSH.102.....	273, 282, 289
971659-79	266	4270107060.....	266	4270109003.....	269	BUSH.103.....	283, 289
971660-79	266	4270107061.....	266	4270109005.....	270	BUSH.107.....	269
971687-00	275, 279, 295	4270107089.....	266	4270109006.....	270	BUSH.108.....	285
971974-00	297	4270107090.....	266	4270109007.....	270	BUSH.109.....	273, 282, 295
4270902121.....	285	4270107091.....	264	4270109009.....	270	CAM.102.....	273, 282, 289
4230100017.....	285	4270107092.....	264	4270109077.....	269	CAMASY.101....	279
4270100013.....	283, 285	4270107093.....	264	4270109078.....	269	CASE.222.....	284, 290
4270100017.....	274, 283, 295	4270107095.....	264	4270109142.....	268	CASE.223.....	284, 290
4270100018.....	274, 283	4270107096.....	264	4270109190.....	270	CASE.229.....	291
4270100026.....	285	4270107097.....	264	4270109548.....	279	CASE.243.....	291
4270100075.....	285	4270107176.....	274, 283, 295	4270109630.....	270	CBAR.101.....	284, 291
4270100110.....	285	4270107178.....	274, 283, 295	4270900091.....	284, 291	CBAR.116.....	284, 291
4270100116.....	285	4270107186.....	268	4270900094... ..	284, 291	CBAR.135.....	284, 291
4270100130.....	285	4270107188.....	268	4270900095... ..	284, 291	CHASY.107.....	296
4270100152.....	285	4270107189.....	268	4270902091.....	285	CHASY.108.....	296
4270100153.....	285	4270107192.....	268	4270902095... ..	285	CHASY.109.....	296
4270100172.....	274, 283	4270107193.....	268	4270902125.....	285	CHASY.125.....	296
4270100197.....	274, 283	4270107194.....	268	4270902740.....	291	CHASY.147.....	296
4270100266.....	274, 283	4270107213.....	270	4270902742.....	291	CHASY.158.....	296
4270100299.....	285	4270107214.....	270	4270902743.....	291	CHASY.160.....	296
4270100304.....	289	4270107215.....	270	4270902746.....	291	CHASY.207.....	296
4270100312.....	283, 289	4270107268.....	270	4270902748.....	291	COVER.113.....	273
4270100346.....	274, 283, 295	4270107270.....	270	4270902749.....	291	COVER.120.....	279
4270100521.....	269, 274, 283, 295	4270107283.....	270	4270902763.....	290	COVER.127.....	295
4270100522.....	274, 283	4270107285.....	270	4270902766.....	290	CTUBE.232.....	270
4270100582.....	285	4270107286.....	270	4270902767.....	290	ECAP.103.....	264
4270100583.....	285	4270107320.....	263	4270902769.....	290	ECAP.111.....	264
4270100663.....	285	4270107321.....	263	4270902772.....	290	ECAP.129.....	274, 279
4270101482.....	274, 283, 295	4270107322.....	263, 282	4270902773.....	290	ECAP.130.....	273, 279
4270101753.....	285	4270107323.....	263	4270902776.....	284, 290	ECAP.143.....	295
4270101778.....	285	4270107341.....	268	4270902778.....	284, 290	EXT.255.....	264
4270101782.....	285	4270107342.....	268	4270902779.....	284, 290	EXT.256.....	264
4270101806.....	269, 274, 283, 295	4270107360.....	268	4270902782.....	284, 290	EXT.257.....	264
4270101818.....	274, 283	4270107361.....	268	4270902784.....	284, 290	EXT.258.....	264
4270101819.....	274, 283	4270107363.....	268	4270902785.....	284, 290	EXT.259.....	264
4270101825.....	274, 283	4270107422.....	266	4270902787.....	284	EXT.261.....	264
4270101830.....	269, 283	4270107429.....	268	4270902789.....	284	EXT.440.....	296
4270101831.....	283	4270107430.....	268	4270902790.....	284	EXT.445.....	296
4270101840.....	289	4270107489.....	299	4270902799.....	284, 290	EXT.450.....	296
4270101873.....	274, 283	4270107495.....	269	4270902802.....	284, 290	EXT.2244.....	296
4270101874.....	274, 283	4270107497.....	269	4270902803.....	284, 290	EXT.2927.....	296
4270102426.....	274, 283	4270107520.....	266	4270902805... ..	284, 290	EXT.2949.....	296
4270102427.....	274, 283	4270107521.....	266	4270902808... ..	284, 290	EXT.2950.....	296
4270103324.....	295	4270107587.....	264	4270902809... ..	284, 290	EXT.2951.....	296
4270105926.....	269	4270107588.....	264	4270902968.....	289	EXT.3000.....	296
4270106349.....	285	4270107589.....	264	4270902974.....	289	EXT.3001.....	296
4270106632.....	274, 283	4270107591.....	264	4270903177.....	273, 282, 285, 289	EXT.3002.....	296
4270106633.....	274, 283	4270107592.....	264	4299100213.....	285	EXT.3003.....	296
4270106745.....	266	4270107593.....	264	4299100997.....	285	EXT.3004.....	296
4270106769.....	266	4270107603.....	266	4299101020.....	266	EXT.3005.....	296
4270106770.....	263	4270107623.....	268	169CA.....	275	EXT.3006.....	296
4270106772.....	266	4270107685.....	264	179CA.....	279	EXT.3007.....	296
4270106773.....	266, 268	4270107686.....	264	603L.....	205, 237	EXT.3008.....	296
4270106775.....	269	4270107687.....	264	603R.....	205, 237	EXT.3009.....	296
4270106776.....	269	4270107688.....	264	325 SNB.....	194, 227	EXT.3010.....	296
4270106782.....	269	4270107689.....	264	425 SNB.....	194, 227	EXT.3011.....	296
4270106786.....	263	4270107691.....	264	299 Strike.....	194, 227	EXT.3012.....	296
4270106787.....	263	4270107703.....	264	AXLE.1006.....	295	EXT.3013.....	296
4270106796.....	269	4270107704.....	264	AXLE.1007.....	266	EXT.3014.....	296
4270106863.....	263	4270107705.....	264	BASEASY.208... ..	268	EXT.3015.....	296
4270106875.....	263	4270107706.....	264	BASEASY.209... ..	268	EXT.3050.....	296
4270106888.....	266	4270107707.....	264	BASEASY.210... ..	268	EXT.3051.....	296
4270106977.....	266	4270107709.....	264	BASEASY.211... ..	268	EXT.3052.....	296
4270106997.....	285	4270107712.....	264	BASEASY.220... ..	268	EXT.3053.....	296
4270107027.....	264	4270107713.....	264	BASEASY.221... ..	268	EXT.3054.....	296
4270107028.....	264	4270107714.....	264	BOLT.1004.....	274, 295	EXT.3055.....	296
4270107029.....	264	4270107715.....	264	BRKT.128.....	274, 279	EXT.3056.....	296
4270107031.....	264	4270107716.....	264	BRKT.137.....	295	EXT.3057.....	296
4270107032.....	264	4270107718.....	264	BRKT.138.....	273	EXTROD.1001... ..	295

Prices subject to change without notice



EXIT

Numerical Index - Exits

EXITS

Part No.	Page
F570.....	253
F603.....	192, 205, 207, 225, 237
GUIDE.101.....	269
GUIDE.102.....	269
HOUSING.123 ...	297
HOUSING.124 ...	297
HOUSING.125 ...	297
HOUSING.231 ...	284
KEY.101.....	283, 289
KEY.102.....	263
KEY.10020.....	266, 273, 279, 295
KIT.1008.....	268
KIT.1009.....	268
KIT.1010.....	268
KIT.1011.....	268
KIT.1012.....	268
KIT.1013.....	268
KIT.1128.....	295
KIT.1156.....	275
KIT.1157.....	275
KIT.1197.....	274, 279, 295
LARM.180.....	290
LARM.180.....	284
LARM.188.....	290
LARM.188.....	284
LARM.205.....	290
LARM.216.....	290
LATCHR.102....	268
LBOLT.105.....	279
LEVER.103.....	268
LEVER.104.....	268
LEVER.105.....	268
NUT.101.....	269, 274, 283, 295
NUT.103.....	268
PIN.104.....	283, 289
PIN.109.....	274, 283, 295
PIN.110.....	274, 283, 295
PIN.115.....	282, 289
PIN.116.....	289

Part No.	Page
PIN.128.....	274, 279, 295
PKG.102.....	264
PKG.104.....	264
PKG.105.....	264
PKG.133.....	279
PKG.134.....	295
PKG.135.....	295
PKG.150.....	273
PKG.151.....	273
PLUNGER.101 ...	268, 275, 279, 295
RETAIN.101.....	283
RETAIN.102.....	283, 289
RETRACT.101....	273, 283
RETRACT.102....	289
RING.108.....	285
ROD.1011.....	295
ROD.1036.....	295
ROD.1043.....	295
ROD.1044.....	295
ROD.1080.....	295
ROD.1082.....	295
RODASY.110....	269
RODASY.112....	269
RODASY.1075... .	274
RODASY.10001 .	296
RODASY.10002 .	296
RODASY.10003 .	296
RODASY.10004 .	296
RODASY.10005 .	296
RODASY.10006 .	296
RODASY.10007 .	296
RODASY.10008 .	296
RODASY.10009 .	296
RODASY.10010 .	296
RODASY.10011 .	296
RODASY.10012..	296
RODASY.10013..	296
RODASY.10014..	296
RRING.102.....	289

Part No.	Page
RRING.103.....	269, 283, 289
RRING.104.....	266, 268
RRING.105.....	266, 268, 279
RRING.109.....	273, 282, 295
SCREW.1012.....	263
SCREW.1015.....	282, 289
SCREW.1022.....	282, 289
SCREW.1025.....	274, 279
SCREW.1027.....	282, 289
SCREW.1028.....	263, 269, 273, 282, 295
SCREW.1029.....	269, 273, 282, 295
SCREW.1030.....	283, 289
SCREW.1031.....	289
SCREW.1032.....	297
SCREW.1037.....	274, 283
SCREW.1038.....	297
SCREW.1039.....	283, 289
SCREW.1043.....	266
SCREW.1050.....	263
SCREW.1053.....	263
SCREW.1055.....	263
SCREW.1061.....	268
SCREW.1063.....	268
SCREW.1065.....	268
SCREW.1066.....	263
SCREW.1067.....	274
SCREW.1068.....	274
SCREW.1069.....	273
SCREW.1070.....	274, 279
SCREW.1072.....	274
SCREW.1072.....	279
SCREW.1074.....	273
SCREW.1075.....	279
SCREW.1076.....	274, 283, 295
SCREW.1077.....	274
SCREW.1077.....	279, 295
SCREW.1081.....	274, 283, 295
SCREW.1082.....	297
SCREW.1083.....	297

Part No.	Page
SCREW.1084....	297
SCREW.1085....	297
SCREW.1088....	295
SCREW.1099....	270
SCREW.1105....	270
SCREW.1114.....	275, 295
SCREW.1121.....	275, 279, 295
SCREW.1136.....	266, 268
SCREW.1141.....	274, 279, 295
SCREW.1143.....	263, 274, 279
SCREW.1150.....	279
SCREW.1282.....	263
SHIM.112.....	297
SLIDER.101.....	279
SOLENOID.142 ..	268
SPACER.107.....	279
SPRING.103.....	283, 289
SPRING.104.....	289
SPRING.105.....	270
STK70.....	298
STK150.....	298
STK170.....	298
STUD.101.....	282, 289
SWITCH.1002....	268
SWITCH.1004....	268
SWITCH.1006....	275, 279, 295
WASHER.102....	266, 268
WASHER.103....	266, 268
WASHER.107....	266
WASHER.108 ...	270
WASHER.109....	270
WASHER.110....	270
WASHER.116....	269
WASHER.120....	297
WASHER.121....	297
WF603.....	192, 207, 225, 239
WRENCH.101....	283, 289

Prices subject to change without notice

General Closer Information	303
Finishes	303
Common Applications	304
Surface Mount	305
SC Series Options Overview	305
SC60/SC60A Series (Light-Medium Duty)	306
SC60/SC60A Options and Parts	306
SC70/SC70A Series (Heavy Duty)	307
SC70/SC70A Options and Parts	307
SC80/SC80A Series (Medium Duty)	308
SC80/SC80A Options and Parts	308
SC90/SC90A Series (Light/Residential Duty)	309
SC90/SC90A Options and Parts	309

Concealed	310
OHC100A Series	310
OHC100A Options and Parts	310
Auto Operator	311
8200 Series	311
8200 Options and Parts	311
8300 Series Actuators & Accessories	312

General Closer Information

Surface Mount SC Series

Certifications and Listings

1. SC60/SC60A, SC70/SC70A and SC80/SC80A Series Closers are certified to meet the requirements of ANSI Standard A156.4, Grade 1.
2. SC90/SC90A Series Closers are certified to meet the requirements of ANSI Standard A156.4, Grade 3.
3. SC60/SC60A, SC70/SC70A, SC80/SC80A, and SC90 Series Closers without hold-open arms are UL10C fire rated.
4. SC61/SC61A, SC71/SC71A, SC81/SC81A, and SC91 Series are designed to meet the American Disabilities Act (ADA) and ANSI A117.1.
5. SC93 (spring size 3) and SC94 (spring size 4) Series do not meet ADA force requirements.

Covers and Hardware:

1. SC80/SC80A Series Closers ship with a standard SLIM cover unless an optional FULL (FC) cover is added to the order line.
2. SC60/SC60A Series Closers ship as LESS cover unless an optional SLIM cover is added to the order line.
3. SC90/SC90A Series Closers ship LESS cover unless an option SLIM cover is added to order line.
4. All SC 60/70/80/90 Series Closers are furnished with a TBWMS fastener pack. ALL SC60A/70A/80A/93A/94A closer series are furnished with TBWMS and Self-Reaming and Tapping Screws.

Master Cartons

1. All SC60, SC80 and SC90 Series Closers are packed with six (6) identical closers per master carton. SC60A and SC80A RWPA are packed with six (6) identical closers per master carton. SC60A and SC80A HWP, DS, DSHO, HD, SS, and SSHO arms are packed 4 per master carton.

Closer Finishes

Finish Code	BHMA	Finish Color Description
MTBK	622	Matte Black
AL	689	Silver Painted (Resembles Aluminum Finish)
DKB	695	Dark Bronze Painted (Spray Duranodic)
BR	696	Brass Painted

REFERENCE NOTES:

- 1) OHC100 and OHC101 cylinder and components only available in DKBRZ. VO style arm available in AL or DKBRZ finish.
- 2) 8200 Series Auto Operator only available in AL.
- 3) Matte Black finish will not transition to SC60A, SC70A, and SC80A until Q3 2017.

Prices subject to change without notice

2. SC70/SC70A Series Closers are packed with four (4) identical closers per master carton.

Overhead Concealed OHC100A Series

Certifications and Listings

1. OHC100A and OHC101A Series Closers without hold-open option are listed to UL228.
2. OHC101A Series Closers are designed to meet the American Disabilities Act (ADA) and ANSI A117.1.
3. OHC100A Series Closers (spring size 3-5) do not meet ADA force requirements.

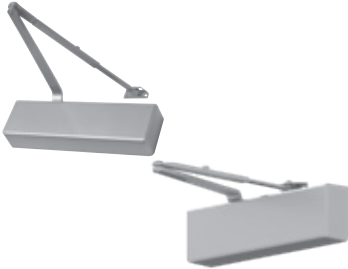




Device Options

1. OHC100A and OHC101A Series Closers are available with 90° or 105° of door swing cylinders.
2. OHC100A and OHC101A Series Closers utilize a 'Hold-Open' feature within the cylinder assembly.
3. 'A' Style arm is an End Load(EL) arm
4. 'S' Style arm is a Side load(SL) arm
5. 'VO' Style is used on doors hung with offset pivots or butt hinges.
6. OHC100A and OHC101A cylinders come standard with DKBRZ finish and components come with AL finish.

Competitive Retrofit

OHC100A Series are a retrofit for the following models; Norton 4900, Jackson 20-330, Global TC7000, International 100 or 200 and the Kawneer Husky II.

Common Applications

	Series	Duty	Applications
	SC70/SC70A Series	Heavy	Commercial / Exterior Door Commercial / Interior Door Aluminum Store Front
	SC80/SC80A Series	Medium	Commercial / Exterior Door Commercial / Interior Door Aluminum Store Front
	SC60/SC60A Series	Light-Medium	Commercial / Exterior Door Commercial / Interior Door Aluminum Store Front
	SC90/SC90A Series	Light	Commercial / Interior Door Aluminum Store Front
	OH100A Series	Medium	Aluminum Store Front Retail

CLOSERS

Prices subject to change without notice

Falcon has several options to meet your unique application and/or installation needs. See the options section on each series page in the Falcon Closer price list for available options by series. Please contact **Falcon Closer Customer Care at (877) 671-7011** for additional information. As always, we appreciate your business!

Cylinder Options

- **STD – Standard Cylinder.** Cylinder will provide consistent door control throughout the opening & closing cycle. Independent backcheck, main speed and latch speed are field adjustable regulation valves and incorporated into the cylinder.
- **DEL – Delay Action Cylinder.** Cylinder will provide consistent door control throughout the opening & closing cycle but includes an extra regulation valve that allows the door to slowly close (delay) as it begins to send the door back to latch (approximately 70°). Independent backcheck, main speed and latch speed are field adjustable regulation valves and incorporated into the cylinder.

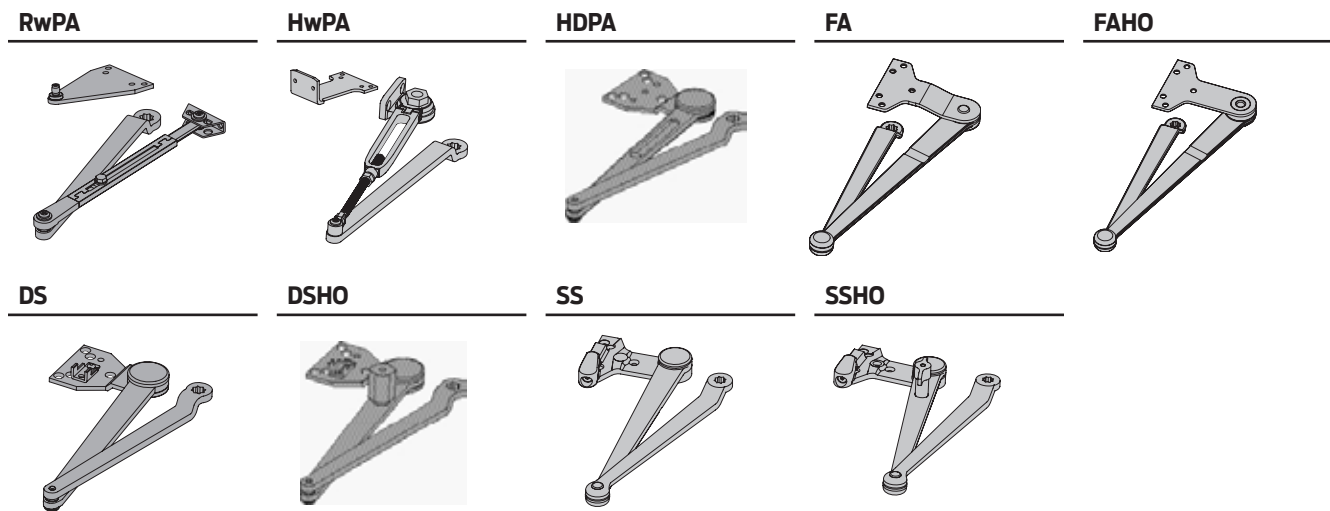
Cover Options

- **STD – Standard Cover.** Cover will enclose the cylinder body with the exception of the unused pinion shaft. A shaft cover will be included to cover the unused pinion shaft.
- **SLIM – Slim Cover.** Cover will enclose the cylinder body with the exception of the unused pinion shaft. A shaft cover will be included to cover the unused pinion shaft.
- **FULL – Full Cover.** Cover will enclose the entire cylinder body, including the unused pinion shaft.

Arm Options

- **Rw/PA – Regular Arm with Parallel Arm Bracket.** Includes adjustable forearm assembly to accommodate a variety of door types and frame conditions. Parallel Arm (PA) bracket allows closer to be installed on the 'push' side of the door in a parallel arm type configuration.
- **Hw/PA – Hold Open Arm with Parallel Arm Bracket.** Includes adjustable forearm assembly to accommodate a variety of door types and frame conditions. Parallel Arm (PA) bracket allows closer to be installed on the 'push' side of the door in a parallel arm type configuration. Hold open function adjustable at the arm shoe.
- **HD/PA – Heavy Duty Arm with Parallel Arm Bracket.** Includes a stamped steel main arm and forearm for added durability in potentially high traffic and/or abusive applications. Parallel Arm (PA) bracket is a permanent feature, installation on 'push' side of the door in a parallel arm type configuration is required.

- **FA – Forged Arm.** Extra heavy duty arm with parallel arm bracket. Includes a forged steel main arm and forearm for maximum durability in high traffic and/or abusive applications. Parallel Arm (PA) bracket is a permanent feature, installation on 'push' side of the door in a parallel arm type configuration is required.
- **FA/HO – Forged Arm with Hold Open.** Extra heavy duty arm with parallel arm bracket that incorporates a hold open feature. Includes a forged steel main arm and forearm for maximum durability in high traffic and/or abusive applications. Parallel Arm (PA) bracket is a permanent feature, installation on 'push' side of the door in a parallel arm type configuration is required.
- **DS – Dead Stop Arm.** Heavy duty arm with parallel arm bracket that incorporates a positive mechanical stop. Includes a stamped steel main arm and forearm for added durability in potentially high traffic and/or abusive applications. Parallel Arm (PA) bracket is a permanent feature, installation on 'push' side of the door in a parallel arm type configuration is required.
- **DS/HO – Dead Stop Arm with Hold Open.** Heavy duty arm with parallel arm bracket that incorporates a positive mechanical stop and hold open feature. Includes a stamped steel main arm and forearm for added durability in potentially high traffic and/or abusive applications. Parallel Arm (PA) bracket is a permanent feature, installation on 'push' side of the door in a parallel arm type configuration is required. Hold open function is manually selected with a 'thumb turn' feature built into the main portion of the arm.
- **SS – Spring-n-Stop Arm.** Extra heavy duty arm with parallel arm bracket that incorporates an integral spring stop. Includes a forged steel main arm and forearm for maximum durability in high traffic and/or abusive applications. Parallel Arm (PA) bracket is a permanent feature, installation on 'push' side of the door in a parallel arm type configuration is required.
- **SS/HO – Spring-n-Stop Arm with Hold Open.** Extra heavy duty arm with parallel arm bracket that incorporates an integral spring stop and hold open feature. Includes a forged steel main arm and forearm for maximum durability in high traffic and/or abusive applications. Parallel Arm (PA) bracket is a permanent feature, installation on 'push' side of the door in a parallel arm type configuration is required.



Fastener Pack Option

- **TBWS – Through Bolt, Wood & Machine Screws.** Fasteners for installation on wood, hollow metal or aluminum store front type doors. Through bolts for installations on 1¾" thick, hollow core doors are included. SC60A/SC70A/SC80A/SC93A/SC94A faster pack will contain TBWS and Self-Reaming and Tapping Screws

ADA Accessibility Requirements

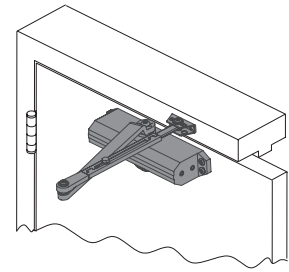
- **Product Information – Closers are preset for standard spring power or can be adjusted in the field to generate the 5lbs. of opening force (36" wide, interior door) requirements for ADA (Sections 4.13.10 and/or 4.13.11) and the ANSI Standard A117.1 (Sections 4.13.10 and/or 4.13.11).**
- **Product Information – Closers installed with the delay (DEL) cylinder option will also comply with the additional advisory suggestions for ADA (Section 4.13.10) and ANSI A117.1 (Section 4.13.10).**

Prices subject to change without notice

SC60/SC60A Series

Light-Medium Duty

Model	Arm Type	Shipping Weight	AL (689) DKB (695) BR (696) MTBK (622) ¹
SC61/SC61A	RwPA	7	171
SC61/SC61A	HwPA	7	195
SC61/SC61A	HDPA ¹	7	195
SC61/SC61A	DS	9	215
SC61/SC61A	DSHO ¹	9	239
SC61/SC61A	SS ¹	9	284
SC61/SC61A	SSHO ¹	9	303



SC60/60A Series

REFERENCE NOTES:

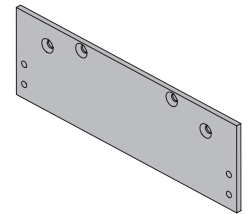
- 1) SC61 HD, DS/HO, SS, and SS/HO are not available in matte black.
- 2) SC61/SC61A ships standard as LE55 cover.
- 3) SC61/SC61A is fully adjustable 1-5

Closer Options

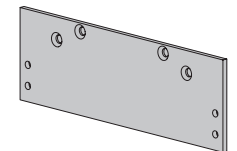
Suffix	Description	List Adder
SLIM	SLIM Cover	15

Closer Parts and Accessories

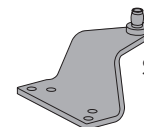
Model	Description	Shipping Weight	List
SC61/SC61A-3071	Standard Cylinder	9	106
SC60/SC60A-72	Slim Cover	1	15
SC60/SC60A-3077/PA	Regular Arm w/ PA Bracket	3	66
SC60/SC60A-3049/PA	Hold Open Arm w/ PA Bracket	3	90
SC60/SC60A-3077HD	Heavy Duty Parallel Arm ¹	3	90
ARM KIT DS AL	Dead Stop Parallel Arm	5	109
ARM KIT DSHO AL	Hold Open Dead Stop Parallel Arm ¹	5	133
SC60/SC60A-3077SS	Spring N Stop Arm ¹	5	178
SC60/SC60A-3049SS	Hold Open Spring N Stop Arm ¹	5	198
SC60/SC60A-18	Mounting Plate - Top Jamb	2	34
SC60/SC60A-18PA	Mounting Plate - Push Side	2	34
CUSH SHOE BRACKET KIT AL	Cush Shoe Support	1	22
BLADE STOP SPACER KIT BR	Blade Stop Spacer	1	25
SC60/SC60A-62A	Offset Auxiliary Shoe	1	29
043156626427	SC60A Standard Screw Pack AL Finish replacing 42824		10
043156626465	SC60A Standard Screw Pack DKB Finish replacing 42833		10
043156626441	SC60A Standard Screw Pack BR Finish replacing 42840		10
043156626434	SC60A/80A Screw Pack for Affixed Parallel Arm Shoe (AL) - in addition to 043156626427		10
043156626472	SC60A/80A Screw Pack for Affixed Parallel Arm Shoe (DKB) - in addition to 043156626465		10
043156626458	SC60A/80A Screw Pack for Affixed Parallel Arm Shoe (BR) - in addition to 043156626441		10
043156618422	SC60A/80A PINION CAP (AL)		6
043156618446	SC60A/80A PINION CAP (DKB)		6
043156618439	SC60A/80A PINION CAP (BR)		6
043156618453	SC60/80/90 PINION CAP (MTBK)		6



SC60A-18



SC60A-18PA



SC60A-62A

REFERENCE NOTES:

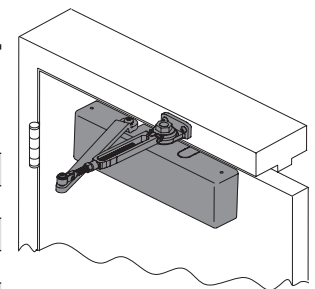
- 1) SC61, SS, and SS/HO arms are not available in matte black.
- 2) Matte Black finish will transition to SC61A in Q3 2017.
- 3) Matte Black and Dark Bronze Closers share the same screw finish.

Prices subject to change without notice

SC70/SC70A Series

Heavy Duty

Model	Arm Type	Shipping Weight	AL (689) DKB (695) BR(696) MTBK (622) ¹
SC71/SC71A	RwPA	10	337
SC71/SC71A	HwPA	10	361
SC71/SC71A	HDPA	11	361
SC71/SC71A	FA ¹	11	378
SC71/SC71A	FAHO ¹	11	403
SC71/SC71A	DS	11	380
SC71/SC71A	DSHO ¹	12	405
SC71/SC71A	SS ¹	12	450
SC71/SC71A	SSHO ¹	12	469



SC70/SC70A Series

REFERENCE NOTES:

- 1) SC71 FA, FA/HO, SS, and SS/HO are not available in matte black.
- 2) SC71 ships standard with a FULL Cover.
- 3) SC71 is fully adjustable 1-6

Closer Options

Suffix	Description	List Adder
DEL ¹	Delayed Action Cylinder	30

REFERENCE NOTE:

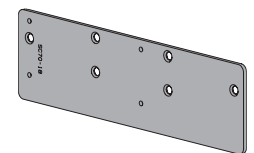
- 1) Delay Action is not available in matte black and will transition to SC71A end of 2017

Closer Parts and Accessories

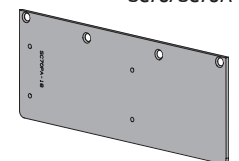
Model	Description	Shipping Weight	List
SC71/SC71A-3071	Standard Cylinder	12	253
SC71/SC71A-3071DEL	Delay Cylinder ¹	12	288
SC70/SC70A-72	FULL Cover	1	18
SC70/SC70A-3077/PA	Regular Arm w/ PA Bracket	3	66
SC70/SC70A-3049/PA	Hold Open Arm w/ PA Bracket	3	90
SC70/SC70A-3077HD	Heavy Duty Parallel Arm	3	90
SC70/SC70A-3077FA	Forged Parallel Arm ¹	3	107
SC70/SC70A-3049FA	Hold Open Forged Parallel Arm ¹	3	131
SC70/SC70A-3077DS	Dead Stop Parallel Arm	5	109
SC70/SC70A-3049DS	Hold Open Dead Stop Parallel Arm ¹	5	133
SC70/SC70A-3077SS	Spring N Stop Arm ¹	5	178
SC70/SC70A-3049SS	Hold Open Spring N Stop Arm ¹	5	198
SC70/SC70A-18	Narrow Frame Back Plate	3	58
SC70/SC70A-18PA	Narrow Top Rail Drop Plate	4	58
SC70/SC70A-30	Cush Shoe Support	1	22
SC70/SC70A-61	Blade Stop Spacer	1	25
SC70/SC70A-62A	Offset Auxiliary Shoe	1	29
043156649228	SC70A STD SCREW PACK AL		10
043156649242	SC70A STD SCREW PACK DKB		10
043156649235	SC70A STD SCREW PACK BR		10
43065	SC70 Screw Pack for Affixed Parallel Arm Shoe (AL)		10
43100	SC70 Screw Pack for Affixed Parallel Arm Shoe (DRK)		10
43101	SC70 Screw Pack for Affixed Parallel Arm Shoe (BR)		10

REFERENCE NOTE:

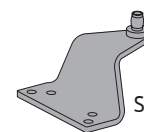
- 1) SC71/SC71A FA, FA/HO, SS, and SS/HO arms are not available in matte black.
- 2) Matte Black will transition to SC71A in Q3 2017.
- 3) Delay Action will transition to SC71A by end of 2017.
- 4) Matte Black and Dark Bronze Closers share the same screw finish.



SC70/SC70A-18



SC70/SC70A-18PA



SC70/SC70A-62A

CLOSERS

Surface Mount / Mechanical

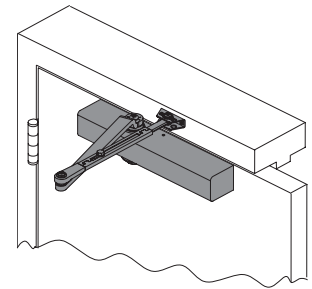
SC70/SC70A

Prices subject to change without notice

SC80/SC80A Series

Medium Duty

Model	Arm Type	Shipping Weight	AL (689) DKB (695) BR (696) MTBK (622) ¹
SC81/SC81A	RwPA	8	215
SC81/SC81A	HwPA	8	238
SC81/SC81A	HDPA ¹	10	238
SC81/SC81A	DS	10	258
SC81/SC81A	DSHO ¹	10	281
SC81/SC81A	SS ¹	10	328
SC81/SC81A	SSHO ¹	10	346



SC80/SC80A
(w/ full cover shown)

REFERENCE NOTES:

- 1) SC81 delay action, SS, and SS/HO arms are not available in matte black.
- 2) SC81/SC81A ships standard with a SLIM Cover.
- 3) SC81/SC81A is fully adjustable 1-6

Closer Options

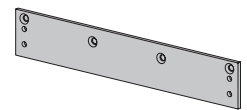
Suffix	Description	List Adder
FC	FULL Cover	5
DEL ¹	Delayed Action Cylinder	30

REFERENCE NOTE:

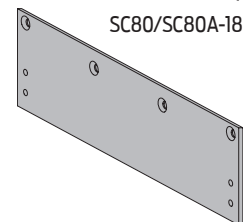
- 1) Delay action is not available in matte black and will transition to SC81A end of Q3 2017.

Closer Parts and Accessories

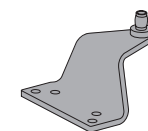
Model	Description	Shipping Weight	List
SC81/SC81A-3071	Standard Cylinder	10	138
SC81-3071DEL	Delay Cylinder ¹	10	173
SC80/SC80A-72	Slim Cover	1	12
SC80/SC81A-72FC	FULL Cover	1	18
SC80/SC81A-3077/PA	Regular Arm w/ PA Bracket	3	66
SC80/SC81A-3049/PA	Hold Open Arm w/ PA Bracket	3	90
SC80/SC81A-3077HD	Heavy Duty Parallel Arm ¹	3	90
SC80/SC81A-3077DS	Dead Stop Parallel Arm	5	109
SC80/SC81A-3049DS	Hold Open Dead Stop Parallel Arm ¹	5	133
SC80/SC81A-3077SS	Spring N Stop Arm ¹	5	178
SC80/SC81A-3049SS	Hold Open Spring N Stop Arm ¹	5	198
SC80/SC81A-18	Mounting Plate - Top Jamb	2	34
SC80/SC81A-18FC	Mounting Plate - Top Jamb for FULL Cover	2	34
SC80/SC81A-18PA	Mounting Plate - PA	2	34
SC80/SC81A-18PAFC	Mounting Plate - PA for FULL Cover	2	34
SC80/SC81A-30	Cush Shoe Support	1	22
SC80/SC81A-61	Blade Stop Spacer	1	25
SC80/SC81A-62A	Offset Auxiliary Shoe	1	29
043156626427	SC80A Standard Screw Pack AL		10
043156626465	SC80A Standard Screw Pack DKB		10
043156626441	SC80A Standard Screw Pack BR		10
043156626434	SC60A/80A Screw Pack for Affixed Parallel Arm Shoe (AL) - in addition to 043156626427		10
043156626472	SC60A/80A Screw Pack for Affixed Parallel Arm Shoe (DKB) - in addition to 043156626465		10
043156626458	SC60A/80A Screw Pack for Affixed Parallel Arm Shoe (BR) - in addition to 043156626441		10
043156618422	SC60A/80A PINION CAP (AL)		6
043156618446	SC60A/80A PINION CAP (DKB)		6
043156618439	SC60A/80A PINION CAP (BR)		6
043156618453	SC60/80/90 PINION CAP (MTBK)		6



SC80/SC80A-18



SC80/SC80A-18PA



SC80/SC80 A-62A

REFERENCE NOTE:

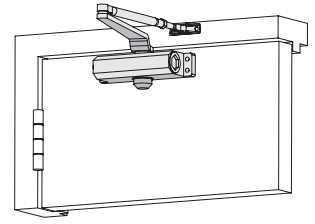
- 1) SC80A delay action, SS, and SS/HO arms are not available in matte black.
- 2) Delay action will transition to SC81A by end of 2017.
- 3) Matte Black finish will transition to SC81A in Q3 2017.
- 4) Matte Black and Dark Bronze Closers share the same screw finish.

Prices subject to change without notice

SC90/SC90A Series

Light- Residential Duty

Model	Arm Type	Size	Shipping Weight	AL (689) DKB (695)
SC91/SC91A	RwPA	1	5	126
SC91/SC91A	HwPA	1	5	148
SC93/SC93A	RwPA	3	5	126
SC93	HwPA	3	5	148
SC94/SC94A	RwPA	4	5	126
SC94	HwPA	4	5	148



SC90/SC90A Series
(SC91 shown)

REFERENCE NOTES:

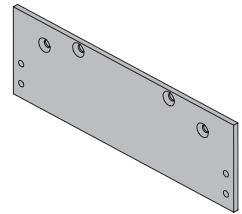
- 1) SC90 series ship standard as LESS Cover.
- 2) Less Back Check option is available on SC91 RWPA AL, SC93 RWPA AL, SC94 RWPA AL & DKB at \$10 Less List

Closer Options

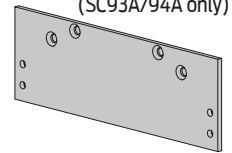
Suffix	Description	List Adder
STD	Standard Cover (Only fits 93 and 94 models)	17

Closer Parts and Accessories

Model	Description	Shipping Weight	List
SC90/SC90A-18	Mounting Plate - Top Jamb	2	34
SC90/SC90A-18PA	Mounting Plate - Push Side	2	34
043156654352	SC60/80/90 PINION CAP (ALUM)		6
043156654369	SC60/80/90 PINION CAP (DRKBRZ)		6



SC90/SC90A-18
(SC93A/94A only)



SC90/SC90A-18PA
(SC93A/94A only)

CLOSERS

Surface Mount /
Mechanical

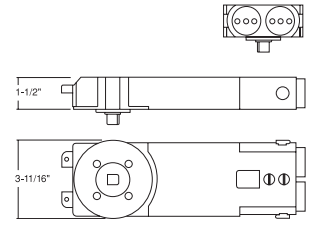
SC90/SC90A

Prices subject to change without notice

OHC100A Series

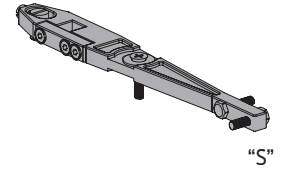
OHC100A Series - Overhead Concealed (90° - without Hold Open)

Model	Door Swing Degree/ Hold Open Option	Arm /Floor Pivot Type	Adjustable Size	Shipping Weight	Standard Finish DKBRZ (695)
OHC100A	SO90 (90° - w/o Hold Open)	EL-DP	3-5	16	306
OHC101A	SO90 (90° - w/o Hold Open)	EL-DP	1-3	16	306
OHC100A	SO90 (90° - w/o Hold Open)	VO*	3-5	16	306
OHC101A	SO90 (90° - w/o Hold Open)	VO*	1-3	16	306
OHC100A	SO90 (90° - w/o Hold Open)	SL/GE	3-5	16	306
OHC101A	SO90 (90° - w/o Hold Open)	SL/GE	1-3	16	306



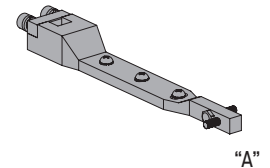
OHC100A Series - Overhead Concealed (90° - with Hold Open)

Model	Door Swing Degree/ Hold Open Option	Arm /Floor Pivot Type	Adjustable Size	Shipping Weight	Standard Finish DKBRZ (695)
OHC100A	HO90 (90° - w/ Hold Open)	EL-DP	3-5	16	306
OHC101A	HO90 (90° - w/ Hold Open)	EL-DP	1-3	16	306
OHC100A	HO90 (90° - w/ Hold Open)	VO*	3-5	16	306
OHC101A	HO90 (90° - w/ Hold Open)	VO*	1-3	16	306
OHC100A	HO90 (90° - w/ Hold Open)	SL/GE	3-5	16	306
OHC101A	HO90 (90° - w/ Hold Open)	SL/GE	1-3	16	306



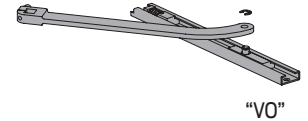
OHC100A Series - Overhead Concealed (105° - without Hold Open)

Model	Door Swing Degree/ Hold Open Option	Arm /Floor Pivot Type	Adjustable Size	Shipping Weight	Standard Finish DKBRZ (695)
OHC100A	S105 (105° - w/o Hold Open)	EL-DP	3-5	16	306
OHC101A	S105 (105° - w/o Hold Open)	EL-DP	1-3	16	306
OHC100A	S105 (105° - w/o Hold Open)	VO*	3-5	16	306
OHC101A	S105 (105° - w/o Hold Open)	VO*	1-3	16	306
OHC100A	S105 (105° - w/o Hold Open)	SL/GE	3-5	16	306
OHC101A	S105 (105° - w/o Hold Open)	SL/GE	1-3	16	306



OHC100A Series - Overhead Concealed (105° - with Hold Open)

Model	Door Swing Degree/ Hold Open Option	Arm /Floor Pivot Type	Adjustable Size	Shipping Weight	Standard Finish DKBRZ (695)
OHC100A	H105 (105° - w/ Hold Open)	EL-DP	3-5	16	306
OHC101A	H105 (105° - w/ Hold Open)	EL-DP	1-3	16	306
OHC100A	H105 (105° - w/ Hold Open)	VO*	3-5	16	306
OHC101A	H105 (105° - w/ Hold Open)	VO*	1-3	16	306
OHC100A	H105 (105° - w/ Hold Open)	SL/GE	3-5	16	306
OHC101A	H105 (105° - w/ Hold Open)	SL/GE	1-3	16	306



REFERENCE NOTES:

- 1) *VO Style offset arm and track available in (AL) (689) or (DKBRZ) (695)
- 2) OHC100A and OHC101A Series Closers utilize a 'Hold-Open' feature within the cylinder assembly.
- 3) OHC100A Series Closers (Sizes 3-5) do not meet ADA force requirements.

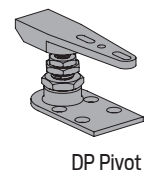
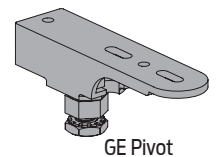
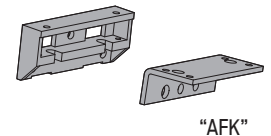
Closer Parts and Accessories

Model	Description	Shipping Weight	AL (689) or DKBRZ (695)
OHC100-S090	Standard 90° Cylinder (Adjustable Sizes 3-5)	12	272.00
OHC101-S090	Standard 90° Cylinder (Adjustable Sizes 1-3)	12	272.00
OHC100-H090	Hold Open 90° Cylinder (Adjustable Sizes 3-5)	12	272.00
OHC101-H090	Hold Open 90° Cylinder (Adjustable Sizes 1-3)	12	272.00
OHC100-S105	Standard 105° Cylinder (Adjustable Sizes 3-5)	12	272.00
OHC101-S105	Standard 105° Cylinder (Adjustable Sizes 1-3)	12	272.00
OHC100-H105	Hold Open 105° Cylinder (Adjustable Sizes 3-5)	12	272.00
OHC101-H105	Hold Open 105° Cylinder (Adjustable Sizes 1-3)	12	272.00
OHC100-AFK	Mounting Bracket & Hardware	1	24.40
OHC100-EL	"A" Style End Load Arm	2	72.10
OHC100-SL	"S" Style Side Load Arm	2	50.90
OHC100-VO*	"VO" Style Offset Arm & Track	4	72.10
OHC100-GE	Center Hung Floor Pivot used with Side Load arm	2	42.40
OHC100-DP	Center Hung Floor Pivot used with End Load arm	2	42.40

* VO Style offset arm and track available in AL(689) or DKBRZ (695).

REFERENCE NOTES:

- 1) OHC100 series cylinder are available only in DKBRZ (695)
- 2) Mounting Bracket/Hardware and Arms are available only in AL (689) with the exception of VO Style.
- 3) *VO style offset arm and track are available in both AL (689) or DKBRZ (695).



Prices subject to change without notice

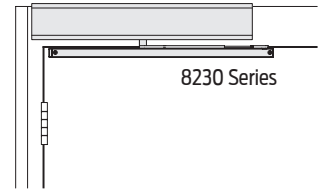
8200 Series

Auto Operator

Model	Description	Shipping Weight	AL (689)
8231	Pull Side (STD)	41	2,398.00

REFERENCE NOTES:

1) Ships with standard 26" length cover.



8230 Series

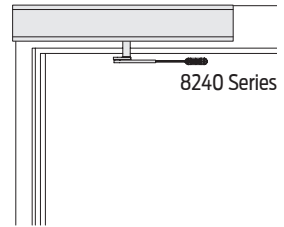
Auto Operator Parts

Model	Description	List
8230-3077T	Standard Arm	142.00
8230-3077PLCM	Standard Arm w/Track	206.00
8230-3038	Track	72.10
8230-72MC	Metal Cover	113.00
8230-MS	Screw Pack	18.50
8230-3018	Mounting Bracket	275.00
8230-3034	Track Roller	19.60
8230-3454	Motor Gearbox Assembly	1,488.00
8230-3462	Control Box	984.00
8230-3498-2A	A/C Power Cable	39.10

Model	Description	Shipping Weight	AL (689)
8242	Push Side (REG)	41	2,398.00

REFERENCE NOTES:

1) Ships with standard 26" length cover.



8240 Series

Auto Operator Parts

Model	Description	List
8240-3077	Regular Arm	115.00
8240-72MC	Metal Cover	113.00
8240-MS	Screw Pack	18.50
8240-77	Main Arm	106.00
8240-79	Rod	19.60
8240-3018	Mounting Bracket	275.00
8240-3454	Motor Gearbox Assembly	1,488.00
8240-3462	Control Box	984.00
8240-3498-2A	A/C Power Cable	39.10

Prices subject to change without notice

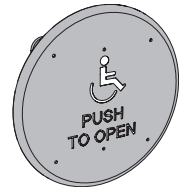
8300 Series

8200 Series

Actuators & Accessories

6" Round – Text w/ Logo

Model	Description	List
8310-852T	Push Plate, Wall Mount	273.00
8310-869F	Mounting Box, Flush	166.00
8310-869S	Mounting Box, Surface	166.00
8310-802	Weather Ring	23.70



8310-852T

1 1/2" x 4 3/4" Jamb – Text w/ Logo

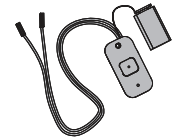
Model	Description	List
8310-818T	Push Plate, Jamb Mount	178.00
8310-819F	Mounting Box, Flush	39.10
8310-819S	Mounting Box, Surface	39.10



8310-818T

Wireless Transmitters & Receiver

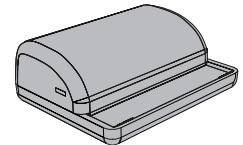
Model	Description	List
8310-844	Transmitter, Wall Mount	202.00
8310-844J	Transmitter, Jamb Mount	202.00
8310-861	Transmitter, Handheld	202.00
8310-865	Receiver	213.00



8310-844

REFERENCE NOTES:

1) Additional actuators and accessories are available through LCN - please see the LCN Price List.



8310-865

Prices subject to change without notice

Standard Features

- UL294 Listed for Access Control
 - Class 2 rated power limited output*
 - Universal 120-240 VAC input
 - Regulated and filtered DC outputs
 - AC input, battery and DC output LED indications
 - Plug and play connectors for optional distribution boards
 - AC input status indication on outside cover
 - AC monitoring
 - 14"H x 12"W x 4"D enclosure
- * PS906 is Class 2 when used with 900-8P option board

1. Select Power Supply

Model No.	Description	List Price
PS902	Base Power Supply (2A @ 12/24 VDC- field selectable) (approx. weight: 9 lbs) -PS902 is able to accept a total of one optional distribution board, plus one fire alarm relay along with one battery backup board and up to two 7A/hr batteries	260.00
PS904	Base Power Supply (4A @ 12/24 VDC- field selectable) (approx. weight: 11 lbs) - PS904 is able to accept a total of two optional distribution boards, plus one battery backup board and up to two 7A/hr batteries	491.00
PS906	Base Power Supply (6A @ 12/24 VDC- field selectable) (approx. weight: 7 lbs) - PS906 is able to accept a total of three optional distribution boards or two optional boards with battery backup board and two 7A/hr batteries	760.00
PS914	Base Power Supply (4A w/ 16A inrush @ 12/24 VDC- field selectable) (approx. weight: 9 lbs) - PS914 is able to accept a total of two optional boards, plus one battery backup board and two 7A/hr batteries	744.00
PS914RFK	The PS914RFK allows the retrofit of the PS914 into an existing PS873 cabinet.	871.00
BAA	Buy America Act compliant power supply option will be labeled as "Assembled in the U.S.A. with U.S. and foreign materials"	40.00

FALCON "EL" devices require the PS914 to operate.

When specifying PS914 power supply for use with "EL" Electric Latch Retraction devices, the 2RS is furnished when board option not specified.

2. Select Optional Distribution Board with or without FA (Fire Alarm Relay)

Model No.	Description	Part #	List Price
900-4R	Independently controlled relays	44489912-00	175.00
900-4R-FA	Independently controlled relays with FA	44489912-00 & 44487247-00	239.00
900-2RS	2 Relay board output	44489896-00	178.00
900-2RS-FA	2 Relay board output with FA	44489896-00 & 44487247-00	242.00
900-4RL	4 Relay board integrated logic for controlling security interlocks, auto operators and time delays	44489920-00	481.00
900-4RL-FA	4 Relay board integrated logic for controlling security interlocks, auto operators and time delays with FA	44489920-00 & 44487247-00	545.00
900-8F	8 fuse protected outputs	44489946-00	64.00
900-8F-FA	8 fuse protected outputs with FA	44489946-00 & 44487247-00	128.00
900-8P	8 PTC protected outputs	44489938-00	64.00
900-8P-FA	8 PTC protected outputs with FA	44489938-00 & 44487247-00	128.00
900-BBK	Battery Backup Kit (includes two 7A/hr batteries)	44489961-00	252.00
900-BB	Battery Backup Board Only (sold separately)	44489953-00	126.00
900-BAT	Batteries Only (two 7A/hr batteries, sold separately)	44487155-00	126.00

* For field installation, use model number. Example: 900-2RS.

3. Select Other Power Supply Options

Model No.	Description	Part #	List Price
900-FA	Fire Alarm Relay (EIR) module is a plug-in relay to provide an interface with fire or other emergency override systems PS902; may be installed directly on power supply or may be used with optional distribution boards PS904/PS906/PS914; must be used with optional distribution boards. If an optional board is not listed the 900-8F-FA will be provided.	44487247-00	64.00
900-KL	Key Lock Cover (not available with BAA)	44486850-00	40.00

NOTES:

- 1) PS902, PS904, PS 906 and PS914 power supplies require connection to AC line voltage. Installation and all electrical connections (high and low voltage) should be performed by a qualified electrical contractor.
- 2) Power Supplies and Power Supply Options are not subject to standard discount terms.

Prices subject to change without notice

Power Transfers

Electric Power Transfers

Model No.	Description	SP28	SP313	Weight lbs
EPT 2	Two 18 gauge wires	485	485	2.5
EPT 10	Ten 24 gauge wires	514	514	2.5

NOTE:
Electric Power Transfers are not subject to standard discount terms.

EPT Options

Suffix	Description	List Add
CON	Cross-category solution using common interconnect components for electrified options. Available on the EPT10. Specify CON. See wire harness options in below Allegion Connect table.	\$11.30
BAA	"Buy America Act" compliant EPT option - No additional charge will be labeled as "Assembled in the U.S.A. with U.S. and foreign materials"	N/C

Allegion Connect Harnesses - Prices listed are net, discounting does not apply

Part Number	Description	Price Each
Harnesses with Molex Connectors on both ends (for use with Hollow Metal Doors)		
CON-6	6" Wire Harness (internal p/n 106190-00)	\$10.80
CON-12	12" Wire Harness (internal p/n 106191-00)	14.40
CON-26	26" Wire Harness (internal p/n 106192-00)	16.30
CON-32	32" Wire Harness (internal p/n 106193-00)	17.40
CON-38	38" Wire Harness (internal p/n 106194-00)	19.10
CON-44	44" Wire Harness (internal p/n 106195-00)	18.50
CON-50	50" Wire Harness (internal p/n 106196-00)	19.10
CON-192	192" Wire Harness (internal p/n 106197-00)	45.50
Harnesses with Molex Connector on one end, crimped pins on other w/ attachable Molex connector (for use with Wood Doors)		
CON-6P	6" Wire Harness (internal p/n 106201-00)	\$13.80
CON-12P	12" Wire Harness (internal p/n 106202-00)	17.40
CON-26P	26" Wire Harness (internal p/n 106203-00)	19.10
CON-32P	32" Wire Harness (internal p/n 106204-00)	20.40
CON-38P	38" Wire Harness (internal p/n 106205-00)	20.90
CON-44P	44" Wire Harness (internal p/n 106206-00)	21.50
CON-50P	50" Wire Harness (internal p/n 106207-00)	22.20
CON-192P	192" Wire Harness (internal p/n 106208-00)	47.90
Harness with Molex Connector on one end, stripped leads on other (for connection to power supply)		
CON-6W	6" extension to power supply (internal p/n 106210-00)	\$13.80
Service Kit		
CON-KIT	Connector Service Kit (internal p/n 050823-00) contains: -100 each male & female terminals -10 each 4-pin and 8-pin male connectors -10 each 4-pin and 8-pin female connectors - 1 extraction tool - CON Adapter Harnesses for electrified hardware are located in the parts section with their corresponding products.	\$114.00

Prices subject to change without notice

WARRANTY

FALCON

Warranty

Falcon Door Hardware warrants its mechanical offering of locks, exit devices and door controls products manufactured to be free from defects in materials and workmanship for a period of **TEN (10) YEARS** from the date of manufacture with the exception of the products detailed in the table below. The terms and conditions of this new warranty apply to Falcon Door Hardware shipments made on or after November 1st, 2008.

This limited warranty does not cover products that (i) are not the proper size for the application; (ii) are not installed in accordance with Falcon's published installation instructions; (iii) are installed with improper or incorrect parts; (iv) have been modified, repaired, or altered in any way without the express written consent of Falcon; (v) are used for purposes which they are not designed or intended; (vi) are subjected to misuse, abuse, negligence, or accident; or (vii) are grade 2 products used in educational facilities and student housing. The following costs and expenses are not covered by the provisions of this limited warranty; (i) labor costs for the removal and reinstallation of products; (ii) shipping and freight expenses required to return products to Falcon; (iii) normal maintenance; and (iv) economic losses. **THE PREVISIONS OF THIS WARRANTY DO NOT APPLY TO FINISHES.**

Falcon will replace the products that are found to be defective, provided said products are returned to Falcon within fifteen (15) days of defect.

FALCON SHALL IN NO EVENT BE LIABLE FOR ANY INCIDENTAL, CONSEQUENTIAL, INDIRECT, SPECIAL, OR PUNITIVE DAMAGES FOR ANY CLAIM WHETHER BASED ON CONTRACT; WARRANTY, TORT (INCLUDING, BUT NOT LIMITED TO, STRICT LIABILITY OR NEGLIGENCE), PATENT INFRINGEMENT, OR OTHERWISE, EVEN IF ADVISED OF THE POSSIBILITY OF SUCH DAMAGES.

This limited warranty replaces all other warranties, expressed or implied, and excludes any warranties of fitness for a particular purpose or merchantability. No agent, representative, dealer, or employee of Falcon has the authority to increase or alter the obligations of this limited warranty.

Note: Should the Product be considered a "consumer product" as may be covered by the Magnuson-Moss Federal Warranty Act, please be advised that: (1) Some states do not allow limitations on incidental or consequential damages or how long an implied warranty lasts, so that the above limitations may not fully apply; and (2) This warranty gives specific legal rights and a user may have rights which may vary from state to state.

PRODUCT EXCEPTION	WARRANTY
OHC100A CONCEALED CLOSERS	5 YEARS
8200 AUTOMATIC OPERATOR	1 YEAR
ELECTRONICS/ELECTRIFIED	1 YEAR

About Allegion

Allegion (NYSE: ALLE) creates peace of mind by pioneering safety and security. As a \$2 billion provider of security solutions for homes and businesses, Allegion employs more than 8,000 people and sells products in more than 120 countries across the world. Allegion comprises 27 global brands, including strategic brands CISA®, Interflex®, LCN®, Schlage® and Von Duprin®.

For more, visit www.allegion.com

KRYPTONITE ■ LCN ■  ■ STEELCRAFT ■ VON DUPRIN