

Template

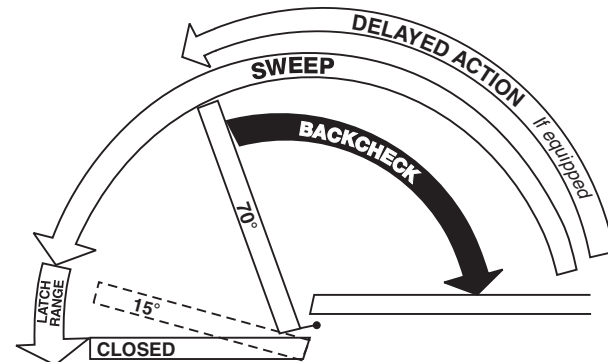


This Set Screw Is On Selector Hold-open Types Only

Closing speeds can be adjusted to suit local conditions and requirements. Label on closer face designates the purpose of each adjustment screw. Adjustments are for speed control.

- A. The Delay Action valve allows adjustment from full open to 65° closed position. (Optional)
- B. The Closing Speed valve allows adjustment from full open to 15° on units without the Delay Action feature.
- C. The Closing Speed valve allows adjustment from 65° to 15° closed position on closers with Delay Action feature.
- D. Latch valve allows adjustment from 15° to closed position.
- E. Important: Backcheck adjustment must be adjusted to vary resistance from light to firm at 60° of door open.

Do not use Backcheck as deadstop. This is an intensity valve not speed control.



Closer Removal or Reinstallation

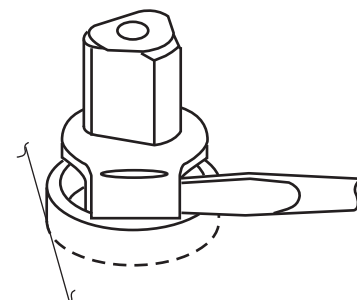
Before removing or installing closer, close down valve screws. When reinstalling, lock closer in hold-open position if provided.

Closer Removal:

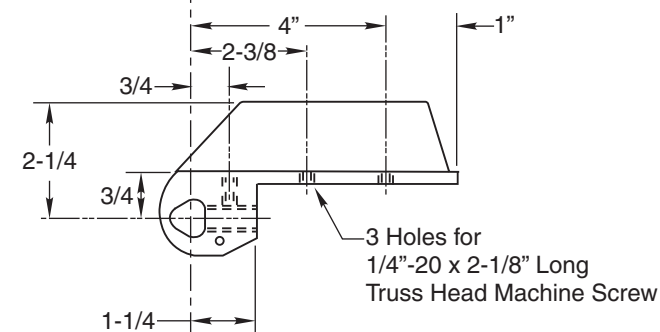
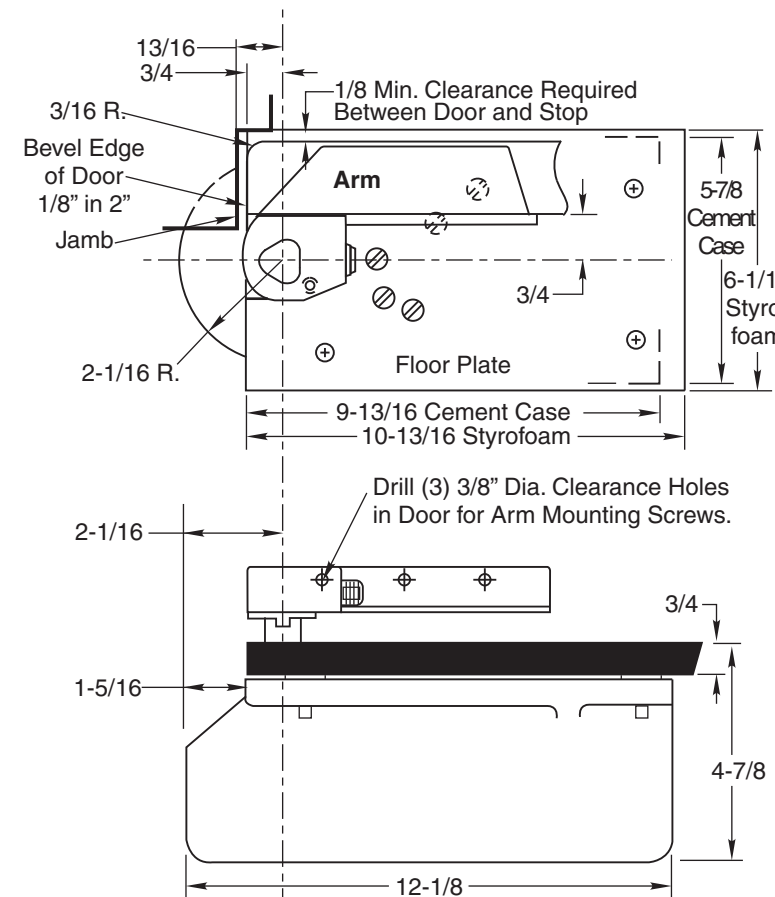
1. Remove thru-bolts, arm cap and loosen arm locking screw.
2. Open door to hold-open or (approx.) 90° and close. (If non hold-open is being removed, insert a flat blade (10" min) screwdriver between spindle and torque washer to prevent spindle from turning.)
3. Remove arm, shim and torque washer from spindle.
4. With door open, remove threshold.
5. Remove closer mounting screws (4) and slide closer out under door.

Closer Reinstallation:

Reverse above procedure when reinstalling closer. Before attaching arm, closer spindle must be in hold-open or rotated to 90°. Non hold-open closers will require the use of a flat blade (10" min.) screwdriver For rotating the spindle.

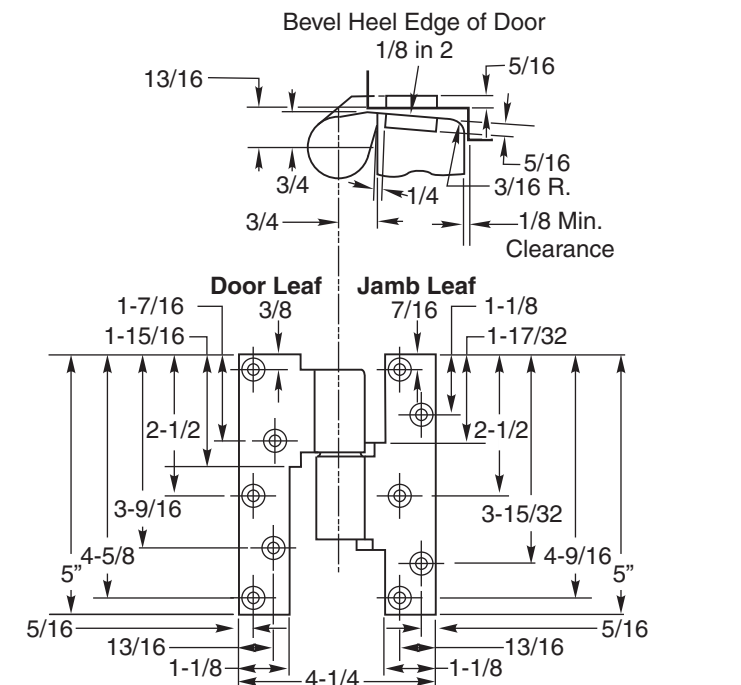
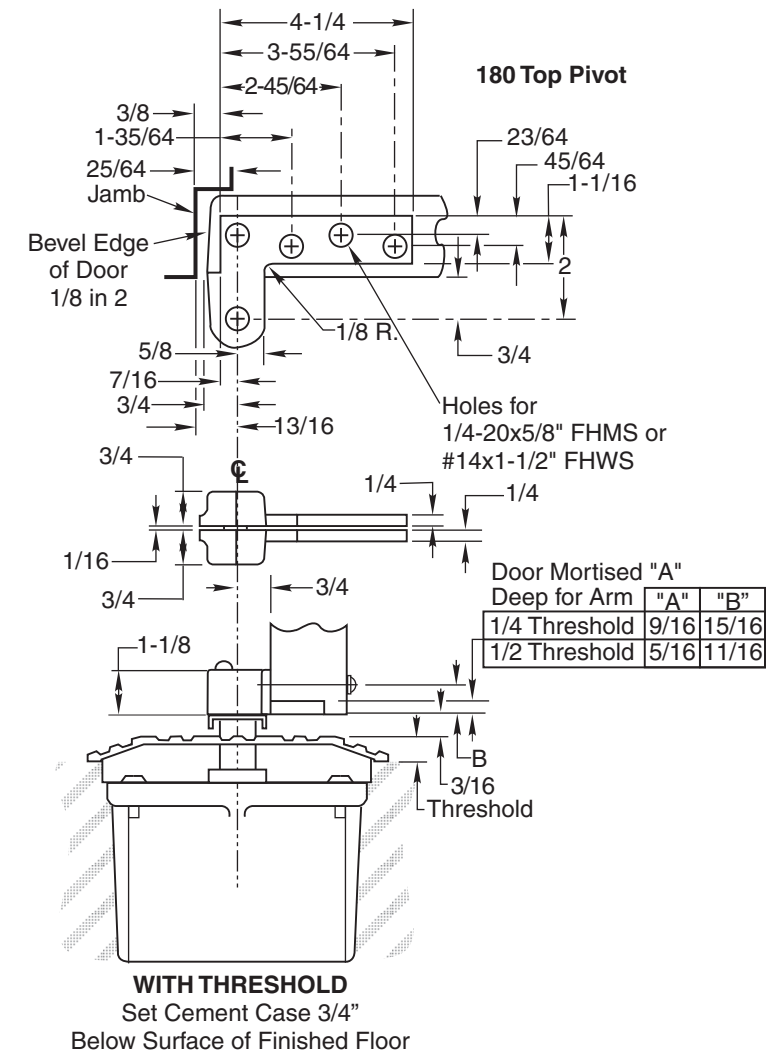


ASSA ABLOY is the global leader in door opening solutions, dedicated to satisfying end-user needs for security, safety and convenience. Rixson® is a registered trademark of Yale Security Inc., an ASSA ABLOY Group company. Copyright© 2002, 2009, Yale Security Inc., an ASSA ABLOY Group company. All rights reserved. Reproduction in whole or in part without the express written permission of Yale Security Inc. is prohibited.

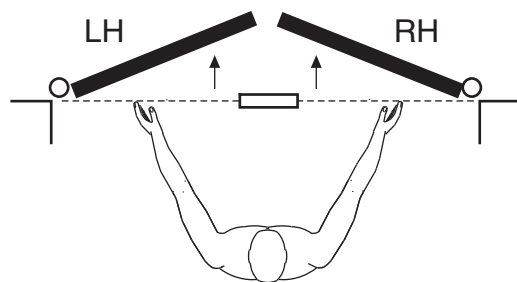


Right Hand Shown

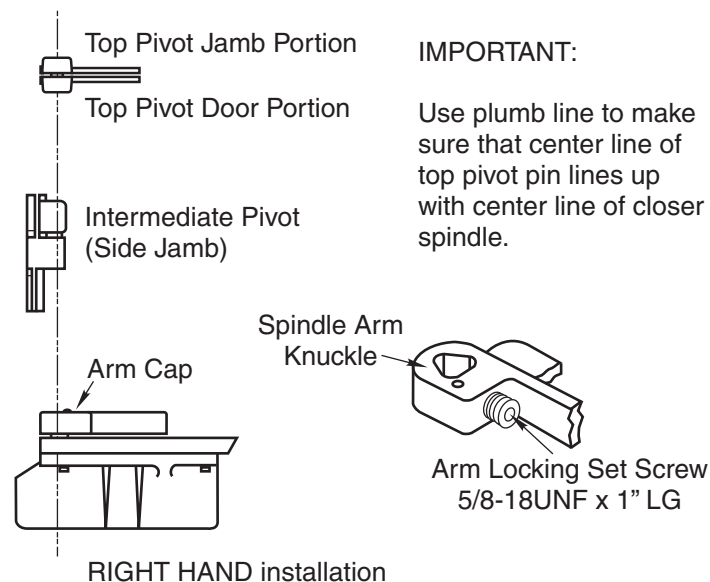
Conversion from inches to metric: inch x 25.4
Use only with 1-3/4" doors.
Where vertical adjustment is necessary, two (2) 1/16" thick shims are provided to be placed between arm and torque washer.



How To Determine Hand of Door



Face a door swinging open away from you. If it opens to the right, it is right hand. If it opens to the left, it is left hand.



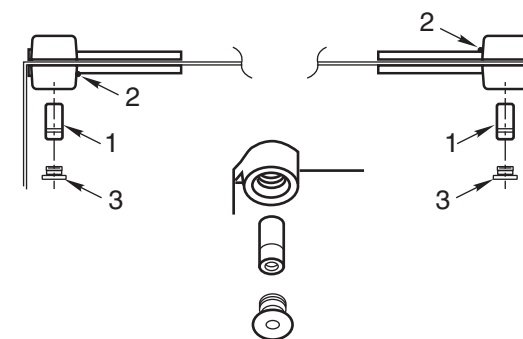
3. Install Top Pivot & Closer Arm

- Install top pivot in door per template.
- Install top pivot in frame per template.
- Center line of pivot should line up with center line of closer. Use plumb line as illustrated.
- See template for intermediate pivot. Use one pivot for doors up to 250 lbs. Use two pivots for doors between 250 and 400 lbs.

4. Hang Door

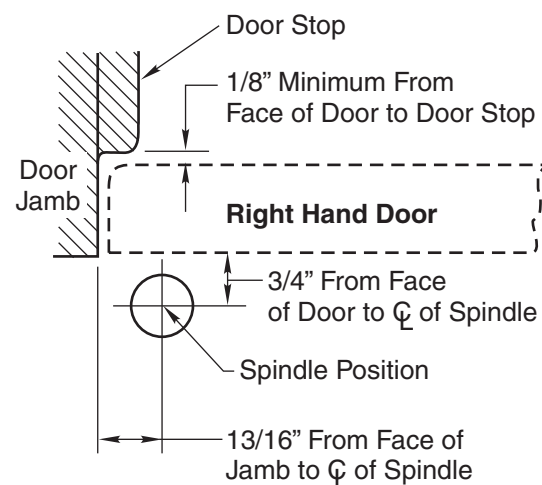
CAUTION: Closer is shipped with "closing speed" valve down. **DO NOT FORCE VALVE DOWN.**

- Remove styrofoam and metal plate from closer.
- Attach top pivot and closer arm to door.
- Attach top pivot to frame.
- Set door on closer spindle. **DO NOT FORCE DOOR CLOSED WHILE "CLOSING SPEED" VALVE IS TURNED DOWN.**
- Push item 1 "top pivot pin" into place. Attach "cap" item 3. (Illustration) **CAP MUST BE TIGHTENED SECURELY.**
- Install intermediate pivots. (See intermediate pivot template)
- Close door to 60° or more and turn valve screw counterclockwise. Door will then close.
- While working door back and forth **TIGHTEN ARM LOCKING SCREW SECURELY** with wrench furnished.
- Put arm cap on arm and secure **TIGHTLY** with cap screw furnished.



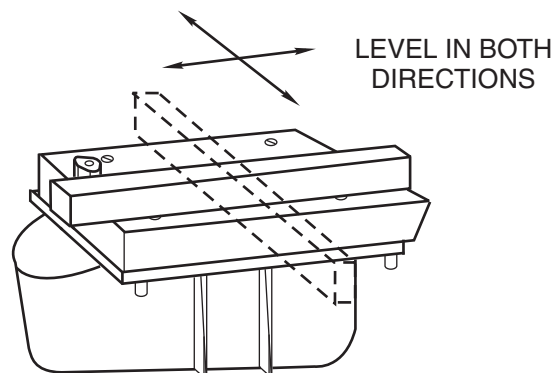
Installation Instructions

1. Install Closer



- Measure 13/16" out from door jamb.
- Allow 1/8" minimum clearance from door stop to door face. Measure door thickness. Add 3/4".
- Where lines meet determines center line of closer.

2. Install Cement Case in Floor



- For floor plate application: Cement case is set 3/4" below floor level.
- Set cement case with styrofoam and closer attached in floor and block in position.
- Case should be parallel with center line of door.
- CEMENT CASE SHOULD BE LEVEL.** Place levels per illustration.
- Grout in cement case with closer and styrofoam attached. Cement should not get between closer and case.

