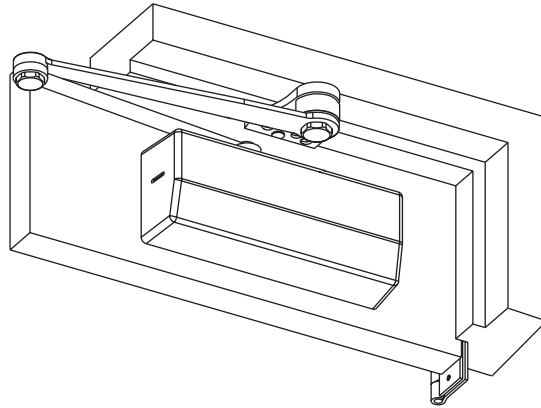


Installation Instructions

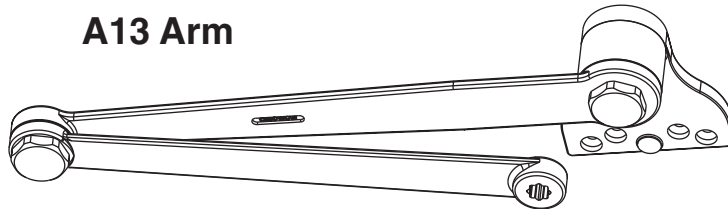
As Easy As **A** — **B** — **C** → **F**



**Universal Door Closers
with A13 Heavy Duty
Non-Hold Open Parallel Arm
For use with Auxiliary Holders**

DC8210 Series
Multi-Sized 1 thru 6

A13 Arm



Heavy Duty Non-Hold Open

IMPORTANT:

- An improperly installed or incorrectly adjusted door closer may cause **property damage** or **personal injury**; and will void product warranty.
- To avoid personal injury, **DO NOT DISASSEMBLE THIS DOOR CLOSER BODY.**
- Door closers must be securely fastened to a properly reinforced door and frame with fasteners provided.
- An auxiliary door stop, BY OTHERS, is required for this Installation.

**BEFORE
INSTALLING:**

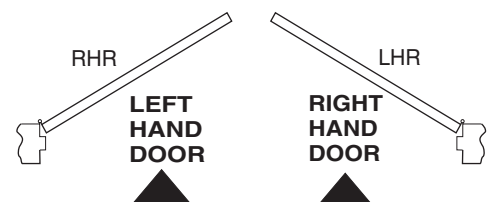


- The Americans with Disabilities Act (ADA) requires that doors having door closers have an opening force not to exceed 5 lbf.
- The door closer's power size adjustment feature may require adjustment to its lowest setting to comply with ADA opening force guidelines.
- ADA compliant closers are: DC8210.

Size of Door & Door Closer

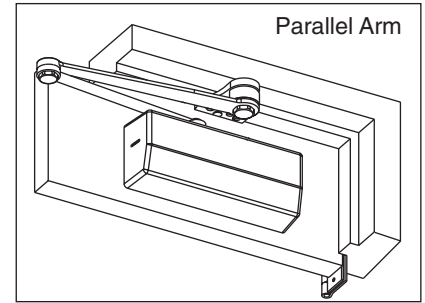
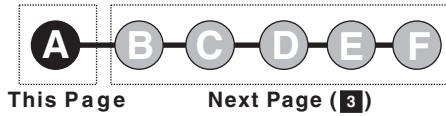
Type of Installation	Interior	Exterior In-swinging	Exterior Out -swinging	Recommended Closer Size	**Max. Opening Force lbs/f
Parallel Arm	2'4"	_____	_____	1	8
	2'6"	_____	_____	2	14
	3'0"	_____	2'6"	3	16
	3'6"	_____	3'0"	4	22
	4'0"	_____	3'6"	5	24
	4'6"	_____	4'0"	6	26

**TO DETERMINE
HAND OF
YOUR DOOR:**



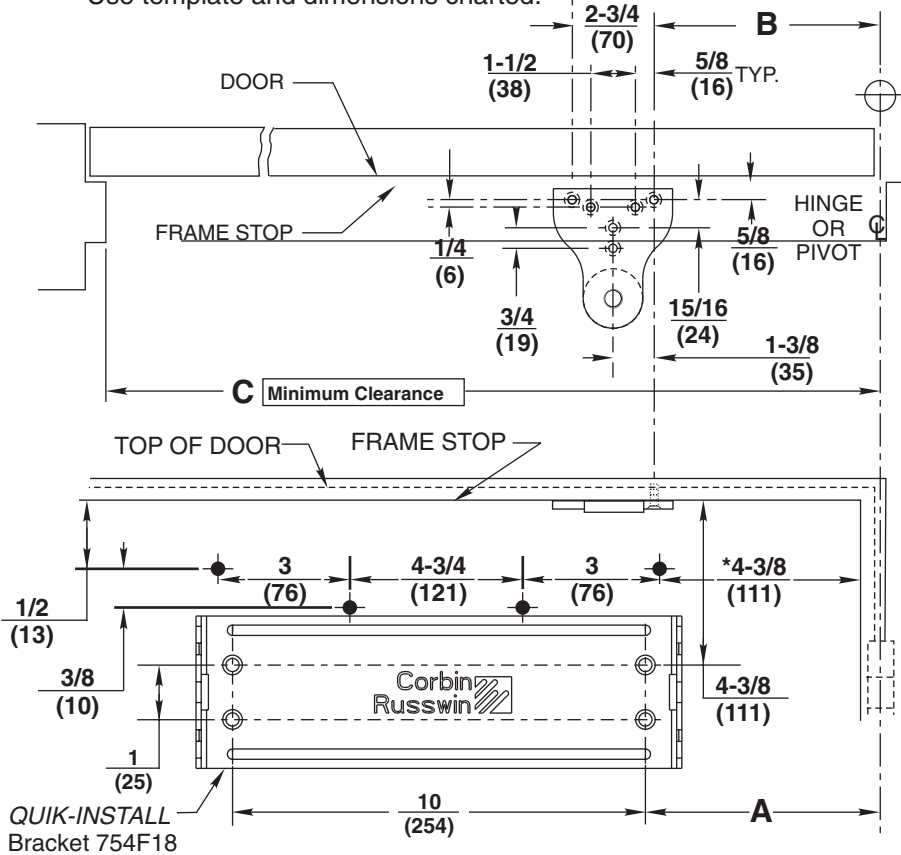
**NOTE: These forces are for standard templating with bearing type hinges and do not account for pressure differentials and draft.

DC8210 x A13 HD Parallel Arm Installation Instructions



A Template

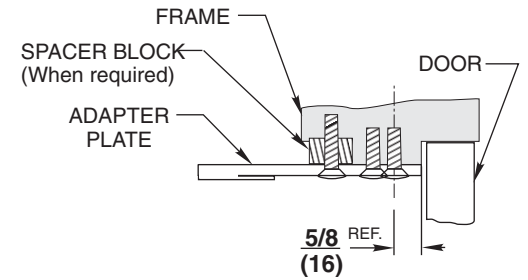
Mark Door and Jamb (for QUIK-INSTALL® bracket and arm bracket)
Use template and dimensions charted.



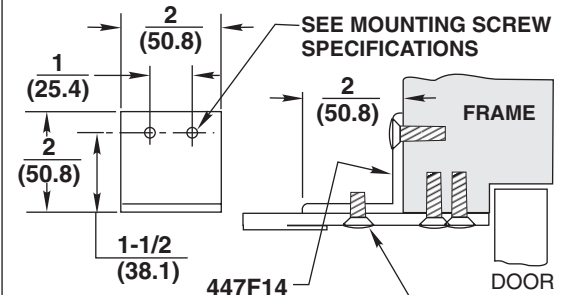
MAXIMUM OPENING	A	B	C	Application
90°	7-1/4 (184 mm)	11 (279 mm)	27 (686 mm)	NON A.D.A.
180°	3-1/4 (83 mm)	7 (178 mm)	23 (584 mm)	

NOTES:

- Check hand of door, see page 1.
- Right Hand Application Shown. Left Hand Opposite.
- Dimensions given in inches (mm). Do Not Scale Drawing.
- Closer must be installed in a true horizontal plane to ensure proper closer performance.



M85 OPTION 447F14 ANGLE SUPPORT BRACKET

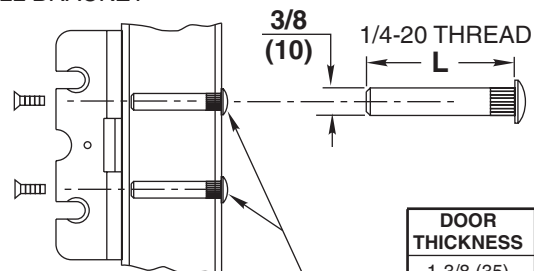


NOTE: ANGLE SUPPORT MUST BE DRILLED AND TAPPED IN THE FIELD

MOUNTING SCREW SPECIFICATIONS ARM AND QUIK-INSTALL BRACKET

#12-14 self-drilling screw.
1/8 (3) diameter pilot hole
required for Wood
Applications.

or Sex nuts, furnished
when ordered



Drill thru 9/32 (7) Enlarge to
3/8 (10) Dia. This Side Only
(4 Places)

DOOR THICKNESS	SEX NUT LENGTH "L"
1-3/8 (35)	1-9/32 (33)
1-3/4 (44) & OVER	1-21/32 (42)

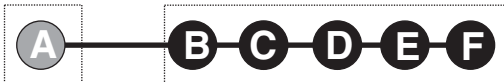


ASSA ABLOY

80-9380-8008-152 Rev. 07/09

ASSA ABLOY. the global leader in door opening solutions

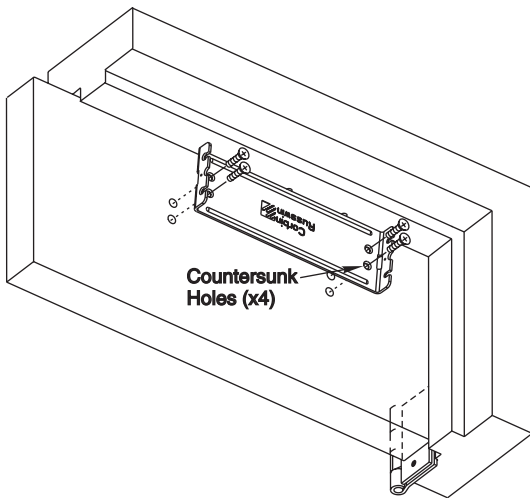
DC8210 x A13 HD Parallel Arm Installation Instructions



Previous Page (2)

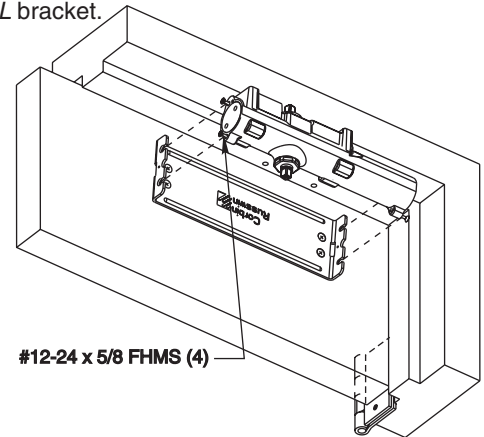
This Page

B Mount QUIK-INSTALL® Bracket

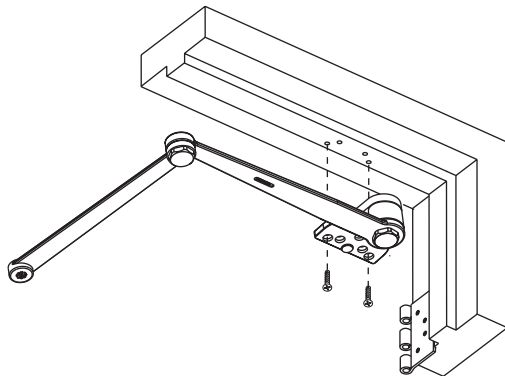


C Mount Closer Body to QUIK-INSTALL Bracket

- Start the four mounting screws into the four closer mounting holes.
- Place the closer onto the *QUIK-INSTALL* bracket with the four mounting screws inserted into the four *QUIK-INSTALL* bracket slots.
- Tighten the four mounting screws to fasten the closer body to the *QUIK-INSTALL* bracket.



D Mount Arm to Door Frame

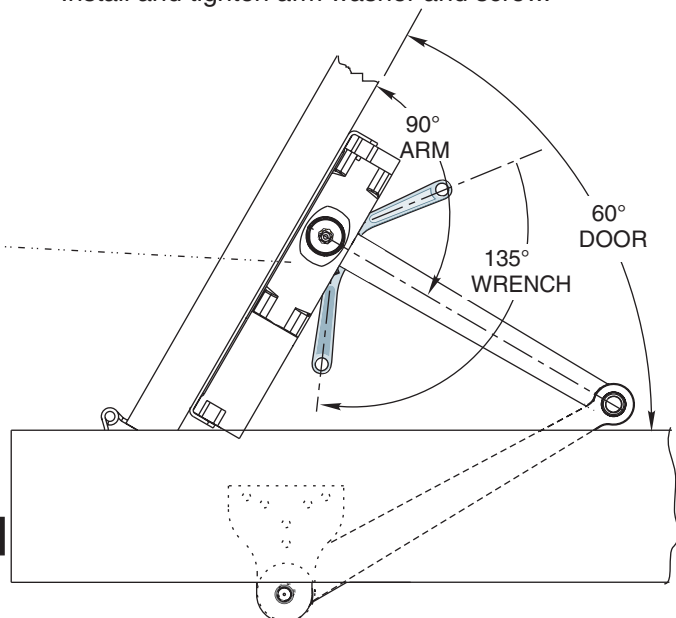
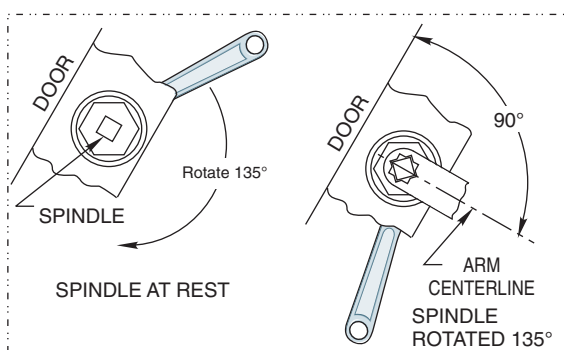


E Connect Arm To Closer

Using hex wrench provided, close (turn clockwise) **CLOSING SPEED VALVE** (see page 4 for location on closer). **DO NOT OVER TIGHTEN.**

- Open door to approximately 60°
- Using wrench on underside of spindle, rotate spindle approximately 135° toward hinge edge of door.
- Install arm on spindle at an approximate 90° angle to door.
- Reopen **CLOSING SPEED VALVE**.
- Install and tighten arm washer and screw.

ALL ANGLES SHOWN ARE APPROXIMATE



F ADJUST CLOSER: See Page 4

Corbin
Russwin®

ASSA ABLOY

80-9380-8008-152 Rev. 07/09

ASSA ABLOY, the global leader in door opening solutions

DC8210 x A13 HD Parallel Arm Installation Instructions

F Door Closer Adjustment

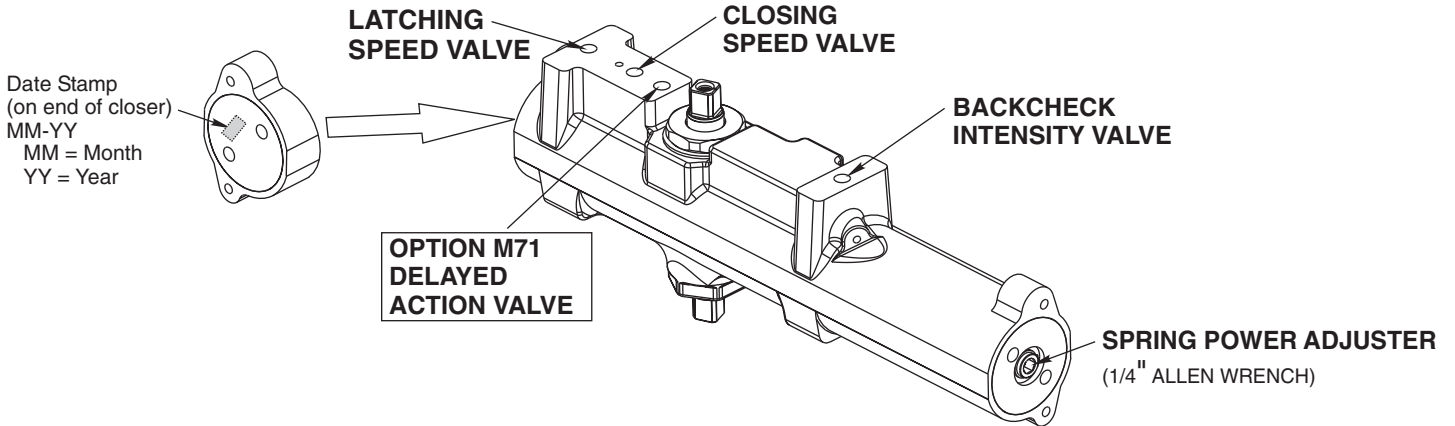
Spring Power Adjustment

Locate spring power adjuster from Illustration below
DC8200 Size 1 thru 6 Adjustment See Chart

Size of Door			Spring Power Adjustment No. Full Turns Clockwise	Equivalent Closer Size (Approx.)
Interior	Exterior In Swing	Exterior Out Swing		
2' 4" (712)	2' 6" (764)	—	2-7	3
2' 6" (764)	3' 0" (915)	—	7-11	4
3' 0" (915)	3' 6" (1067)	2' 6" (764)	11-15	5
3' 6" (1067)	4' 0" (1219)	3' 0" (915)	15-17	6

DC8200 SPRING POWER ADJUSTMENT CHART

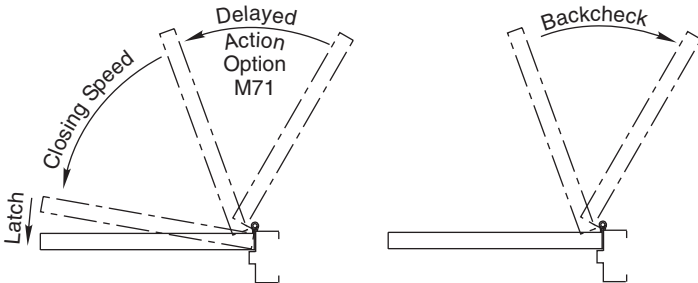
- All DC8200 closers are factory set at an approximate **Size 3**.
- Adjust closer as necessary for door size using this chart.
- Readjustment may be required to suit prevailing conditions.



Date Stamp
(on end of closer)
MM-YY
MM = Month
YY = Year

OPTION M71
DELAYED
ACTION VALVE

SPRING POWER ADJUSTER
(1/4" ALLEN WRENCH)



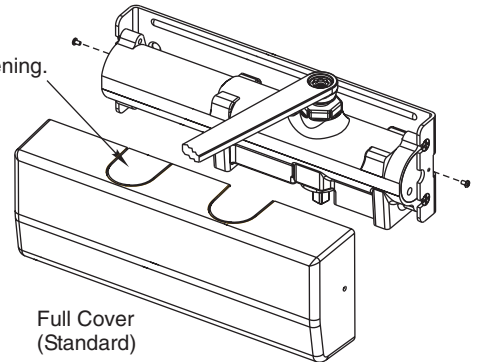
Backcheck Intensity Valve

Turn valve COUNTER-CLOCKWISE to reduce backcheck or CLOCKWISE to increase backcheck. (Backcheck should be set to give a soft cushioning action, not a sudden stop.)

Installing Cover

- Slip cover over closer.
- Hold tightly against QUIK-INSTALL® Bracket surface.
- Secure on each side with 6-32 x 1/4" PBHMS screws.

Insert is removable.
Place in unused opening.



Closing Speed Valve (1/8 Allen Wrench Provided)

To adjust speed of door closing from fully open to a position 2" to 5" from closed, turn Closing Speed Valve CLOCKWISE to SLOW closing, COUNTER-CLOCKWISE to SPEED closing.

Latching Speed Valve (1/8 Allen Wrench Provided)

After closing speed has been obtained, turn latching speed valve CLOCKWISE to SLOW latching or COUNTER-CLOCKWISE to SPEED latching for last 2" to 5" of door travel.

NOTE: Set combination of CLOSING and LATCHING speeds to between 3 and 7 seconds Use of door by handicapped, elderly or small children may require even greater closing time.

Delayed Action Valve (1/8 Allen Wrench Provided)

Turn valve CLOCKWISE to SLOW closing, COUNTER-CLOCKWISE to SPEED closing. Delayed action may be adjusted from 20 seconds to 90 seconds, depending on degree of door swing. Delay occurs at the beginning of the door closing cycle from fully open down to 70°, where the closing speed valve then begins its control.



ASSA ABLOY

80-9380-8008-152 Rev. 07/09

Copyright © 2006, 2009, Corbin Russwin, Inc., an ASSA ABLOY Group company. All rights reserved. Reproduction in whole or in part without the express written permission of Corbin Russwin, Inc. is prohibited.

ASSA ABLOY is the global leader in door opening solutions, dedicated to satisfying end-user needs for security, safety and convenience.