

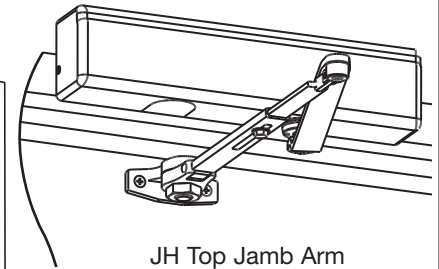
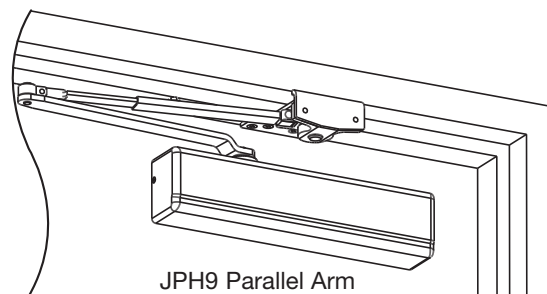
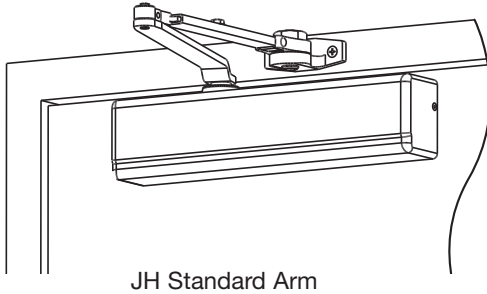
# SARGENT® 1331 DOOR CLOSER INSTALLATION INSTRUCTIONS WITH JUH (HOLD OPEN) ARMS

**SARGENT**  
**ASSA ABLOY**

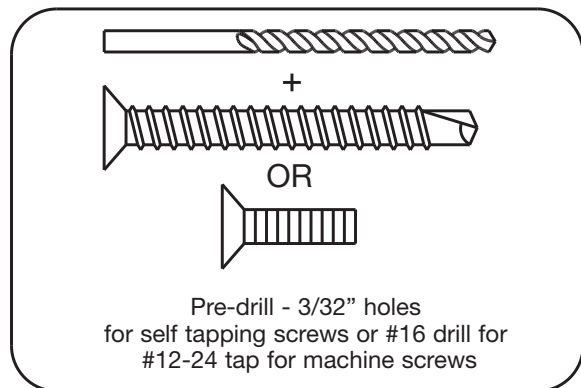
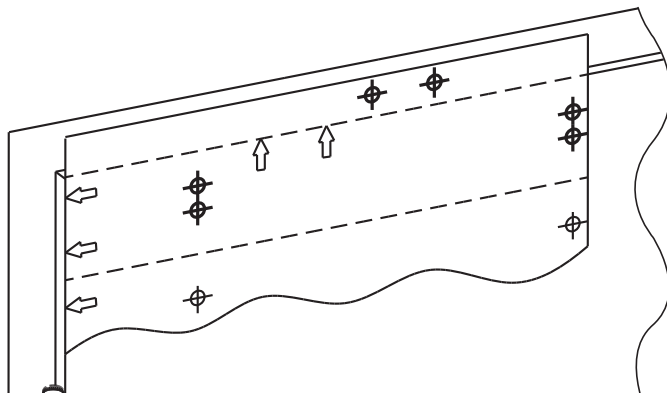
Strength Adjustable From Size 1 Thru 6

**CAUTION: FAILURE TO INSTALL OR ADJUST PROPERLY MAY RESULT IN INJURY OR DAMAGE.  
FOR ASSISTANCE, CALL SARGENT AT 1-800-727-5477 or [www.sargentlock.com](http://www.sargentlock.com)**

**Choose From 1 of the 3 Applications Below**



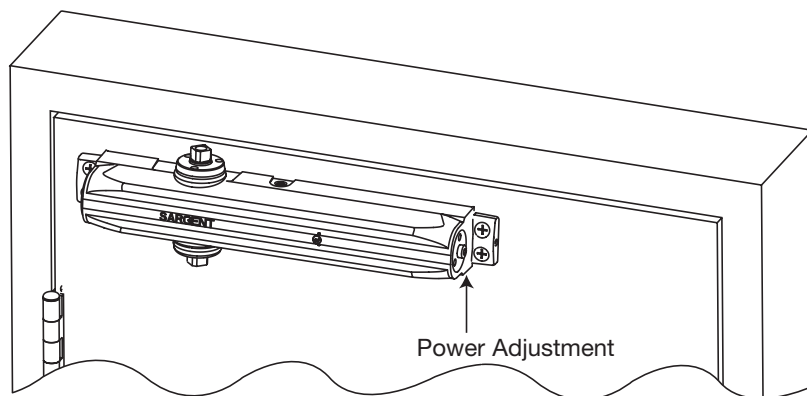
**Use Standard & Parallel Full Size Templates Provided**



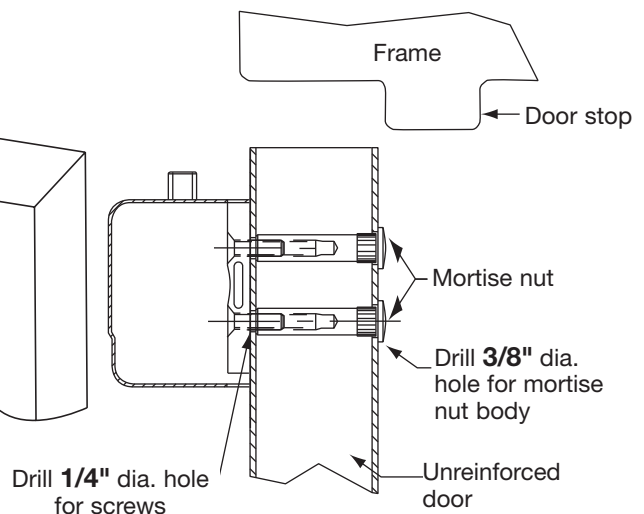
**NOTE: With swing clear hinges, use data sheets provided.**

**\* 1/4" Variance allowed for retrofit of existing closers**

With fasteners provided, **secure closer body to door with power adjustment away from hinge.**



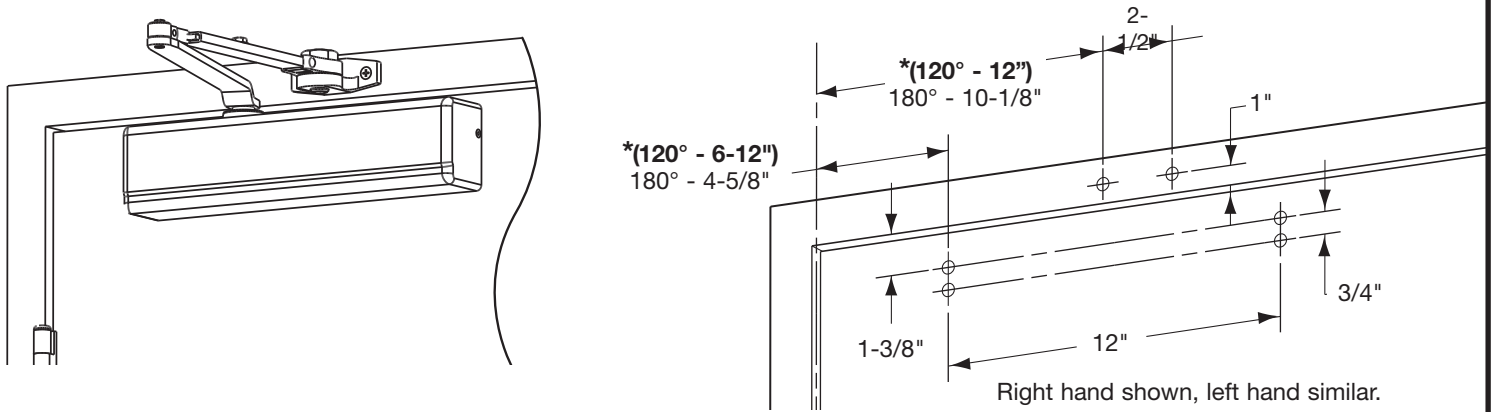
Using optional mortise nuts when through-bolting



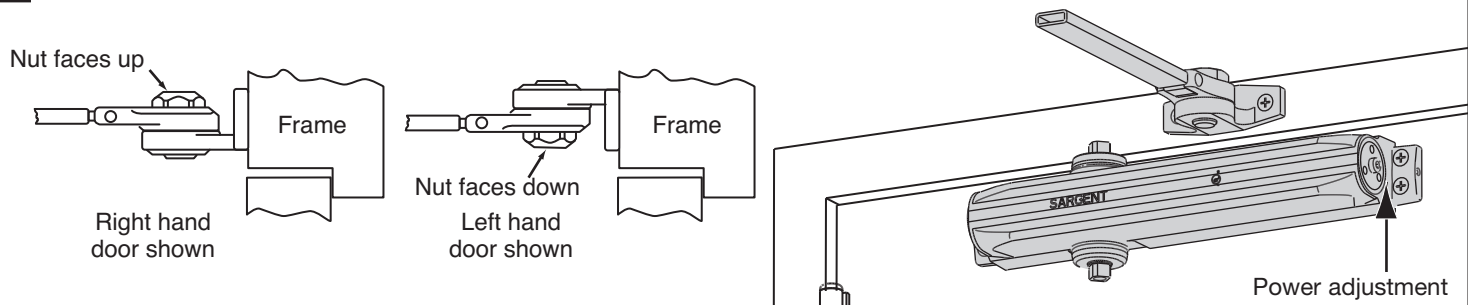
# 1331 STANDARD APPLICATION JH HOLD OPEN ARM INSTRUCTIONS

**SARGENT**  
**ASSA ABLOY**

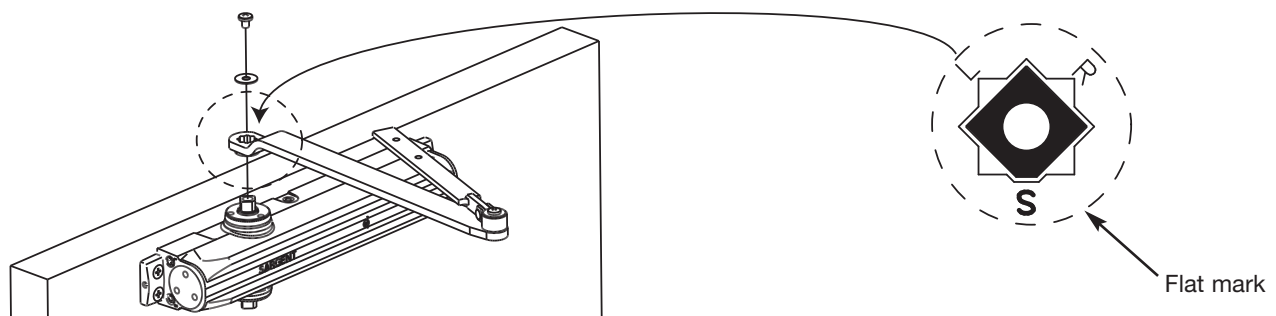
- 1** Determine maximum degree of door opening required. Use a #16 drill. Drill and tap door and frame for 12-24 machine screws. When using the included self tapping screw, predrill with a 3/32" drill. **\*Provides maximum power for heavy or drafty doors**



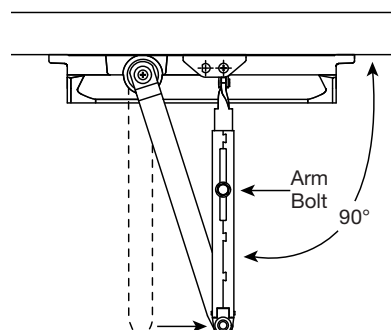
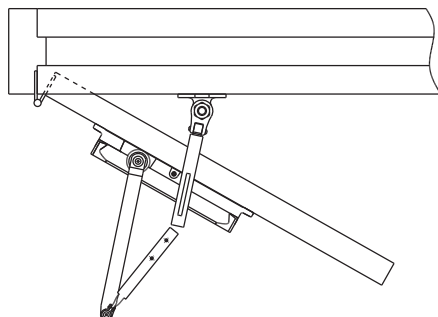
- 2** With provided fasteners, install foot to frame and secure closer body to door with **power adjustment away from hinge**



- 3** On both right and left hand doors, secure main arm to top spindle with screw and washer provided. Align flat mark as shown



- 4** Open door and insert foot into main arm. Close door fully, and while pushing arm as shown in picture, tighten arm bolt



- 5** See page 5 for closer adjustment and cover installation.

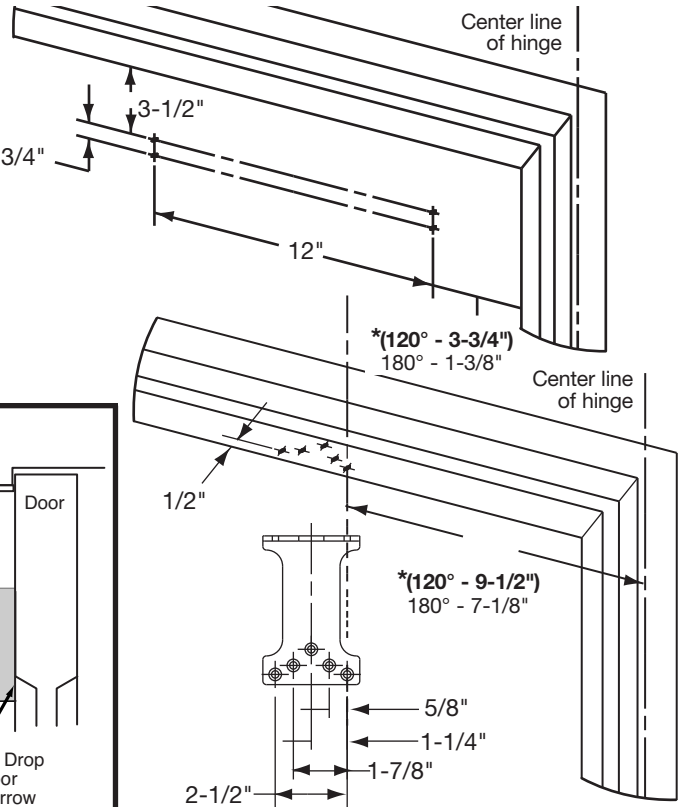
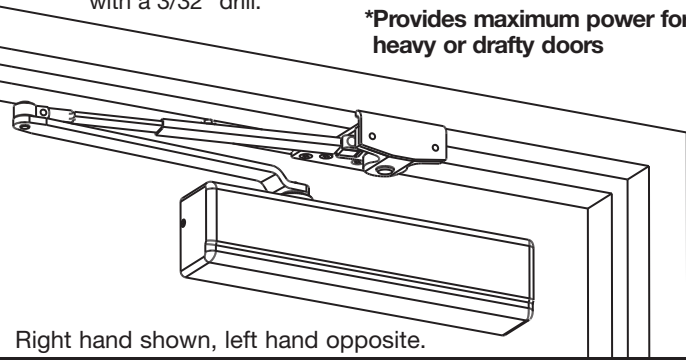
# 1331 JPH9 PARALLEL HOLD OPEN INSTRUCTIONS

**SARGENT**

**ASSA ABLOY**

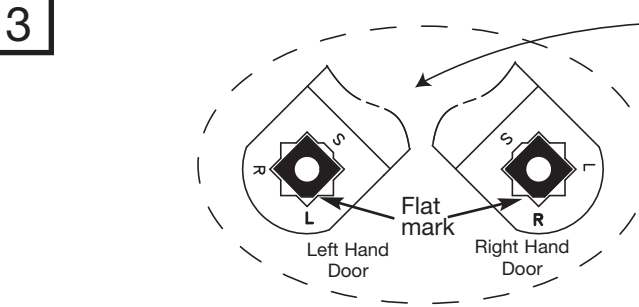
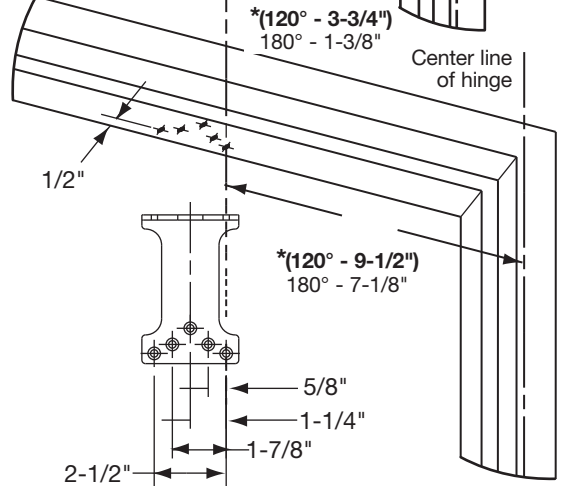
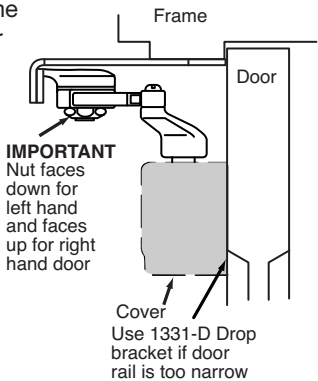
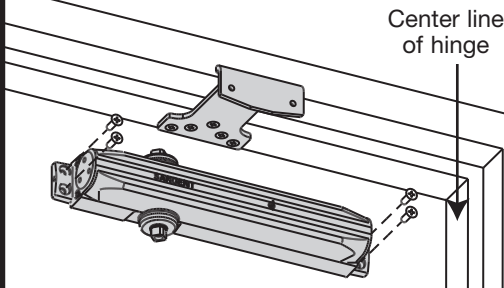
**1** Determine maximum degree of door opening required. Use a #16 drill. Drill and tap door and frame for 12-24 machine screws. When using the included self tapping screws, predrill with a 3/32" drill.

**\*Provides maximum power for heavy or drafty doors**

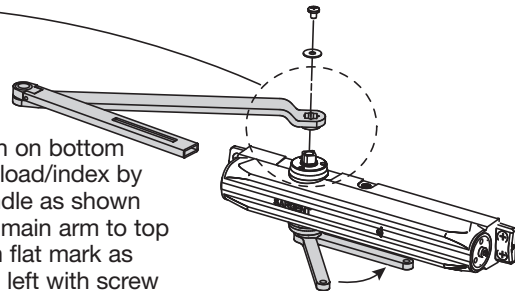


Right hand shown, left hand opposite.

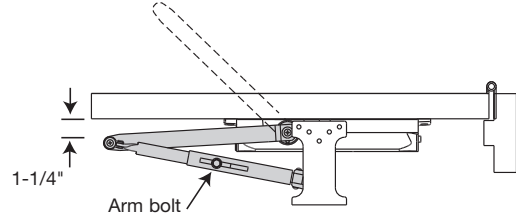
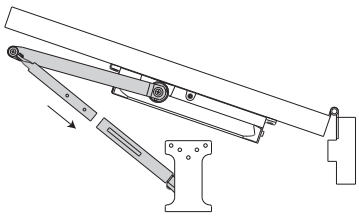
**2** With fasteners provided, install foot to frame with nut as shown and closer body to door with **power adjustment toward hinge**



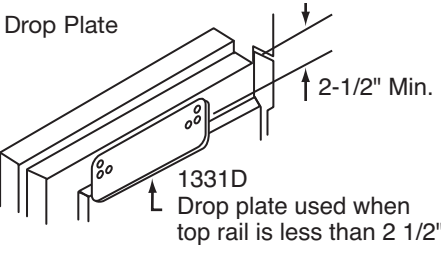
With wrench on bottom spindle, preload/index by turning spindle as shown and secure main arm to top spindle with flat mark as indicated at left with screw and washer



**4** Open door and insert foot into main arm. Close door fully, while holding elbow 1-1/4" from door. Tighten arm bolt



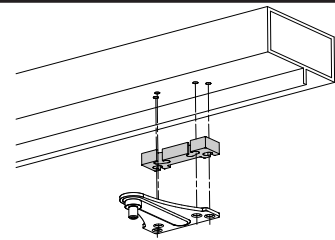
**5** See page 5 for adjustment and cover installation



## Accessory Information

581-1 Blade Stop Spacer Kit

Metal spacer for use on 1/2" blade stops on aluminum store fronts

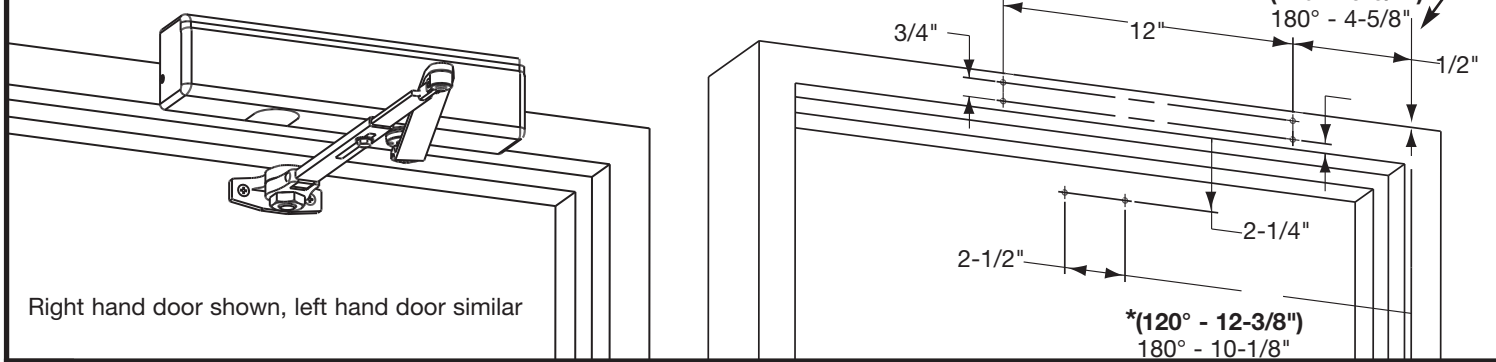


# 1331 JH TOP JAMB PARALLEL HOLD OPEN INSTRUCTIONS

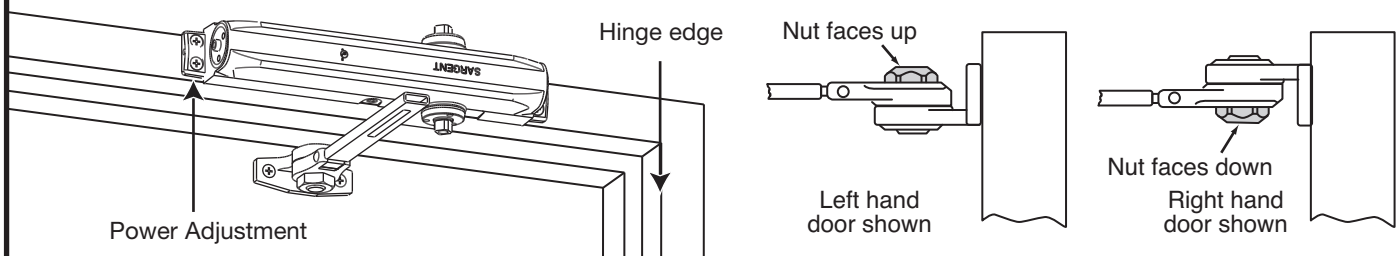
**SARGENT**  
**ASSA ABLOY**

- 1** Determine maximum degree of door opening required. Use a #16 drill. Drill and tap door and frame for 12-24 machine screws. When using provided self tapping screws, predrill with a 3/32" drill.  
\*Provides maximum power for heavy or drafty doors

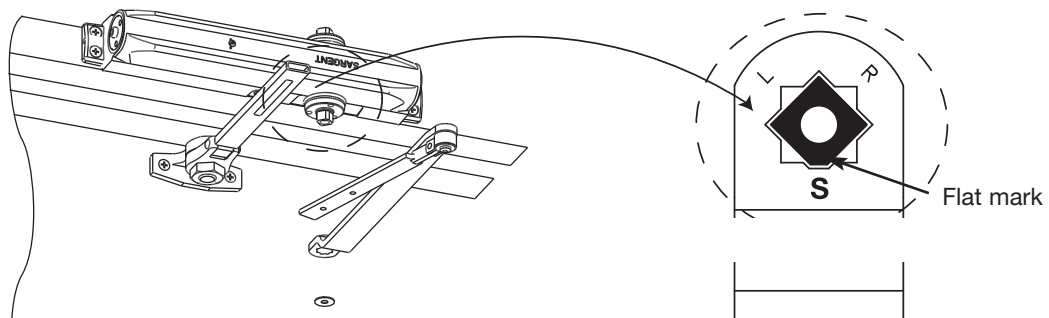
Center line of hinge



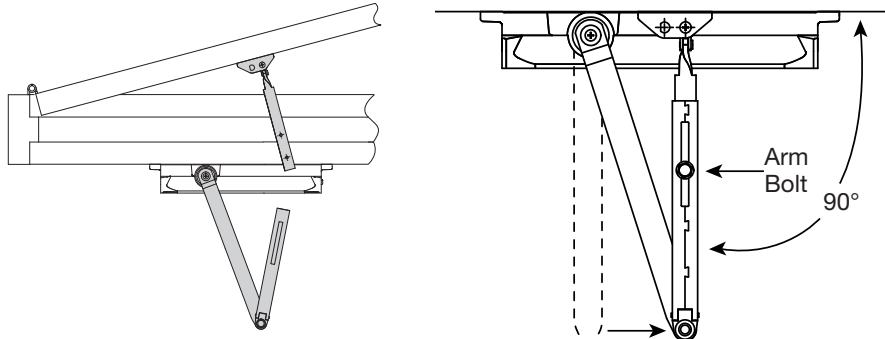
- 2** With provided fasteners, install foot to door as shown and closer body to frame with **power adjustment away from hinge**



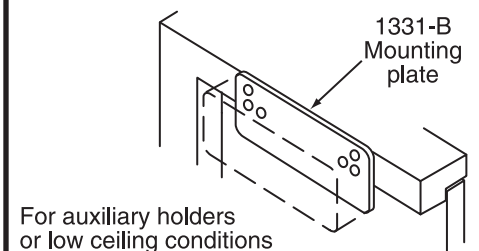
- 3** On both right and left hand doors, secure main arm to spindle with screw and washer provided. Align flat mark as shown



- 4** Open door and insert foot into main arm. Close door fully, and while pushing arm as shown in picture, tighten arm bolt



## Accessories



- 5** See page 5 for adjustment and cover installation

**4** Copyright © 2008, Sargent Manufacturing Company, an ASSA ABLOY Group company. All rights reserved. Reproduction in whole or in part without the express written permission of Sargent Manufacturing Company is prohibited.  
A7742A

ASSA ABLOY, the global leader in door opening solutions

# CLOSER ADJUSTMENT AND COVER INSTALLATION

**SARGENT**

THE 1331 IS FACTORY ADJUSTED FOR MOST APPLICATIONS, HOWEVER, ADDITIONAL ADJUSTMENT MAY BE REQUIRED DUE TO ACTUAL CONDITIONS

**ASSA ABLOY**

## 5 MINIMUM RECOMMENDED DOOR CLOSING TIME FOR DOORS OPENED TO 90° IS 6 SECONDS.

Use 1/8" hex (Allen) wrench to adjust valves as needed.

### SWEEP AND LATCHING SPEEDS:

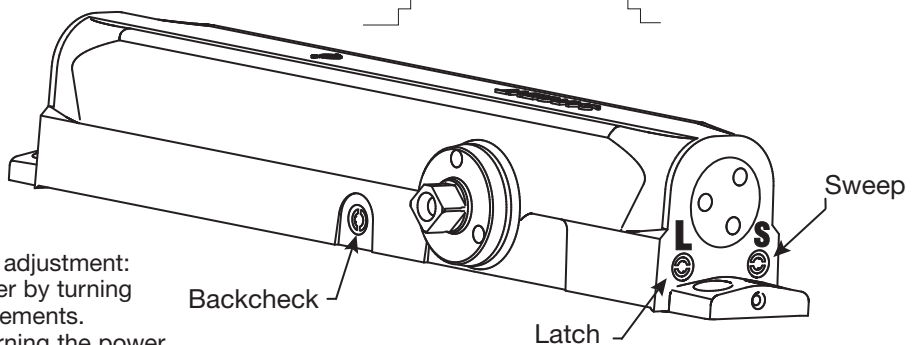
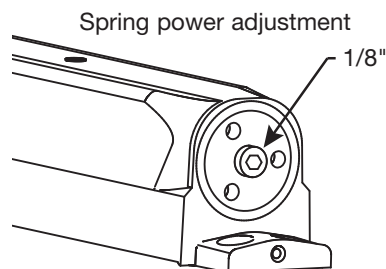
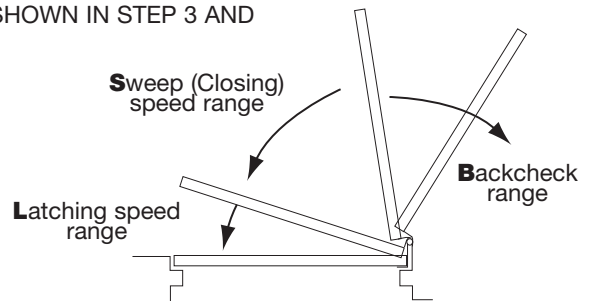
Turn valves clockwise to slow down or counterclockwise to speed up door movement

### BACKCHECK:

To regulate the intensity of backcheck action, turn valve clockwise to increase or counterclockwise to decrease checking

**CAUTION:** SET VALVE FOR SLIGHT CUSHIONING EFFECT. CLOSER CAN BE DAMAGED IF THE CHECKING ACTION IS TOO ABRUPT. NEVER USE THE BACKCHECK AS A DOOR STOP. ALWAYS USE A DOOR STOP TO STOP THE DOOR

IF ADJUSTMENTS ARE INEFFECTIVE, CHECK INDEXING AS SHOWN IN STEP 3 AND CHECK FOR CORRECT TEMPLATING



### CLOSING POWER:

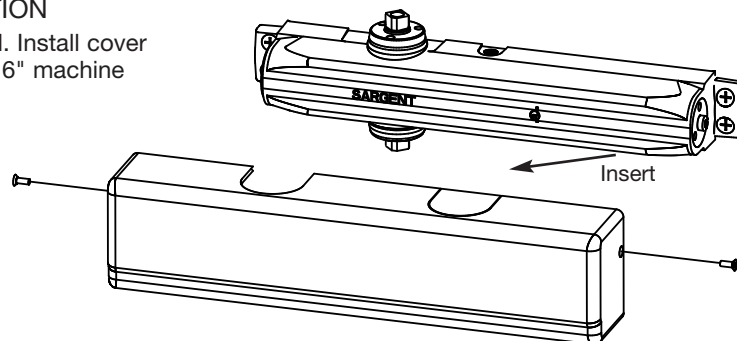
Certain applications may require closing power adjustment:

If the door will not latch properly, increase power by turning the power adjustment clockwise in full turn increments.

If the door is hard to open, reduce power by turning the power adjustment counter-clockwise in full turn increments.

## 6 COVER INSTALLATION

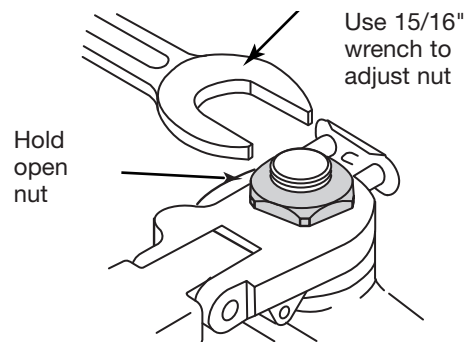
Move insert if needed. Install cover with two #6- 32 X 5/16" machine screws as shown.



## 7 ADJUSTMENT HOLD OPEN ARM

Slight tightening or loosening of hold open nut changes holding position of door.

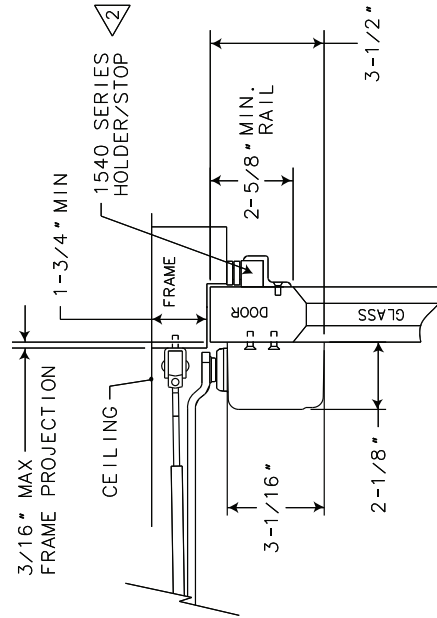
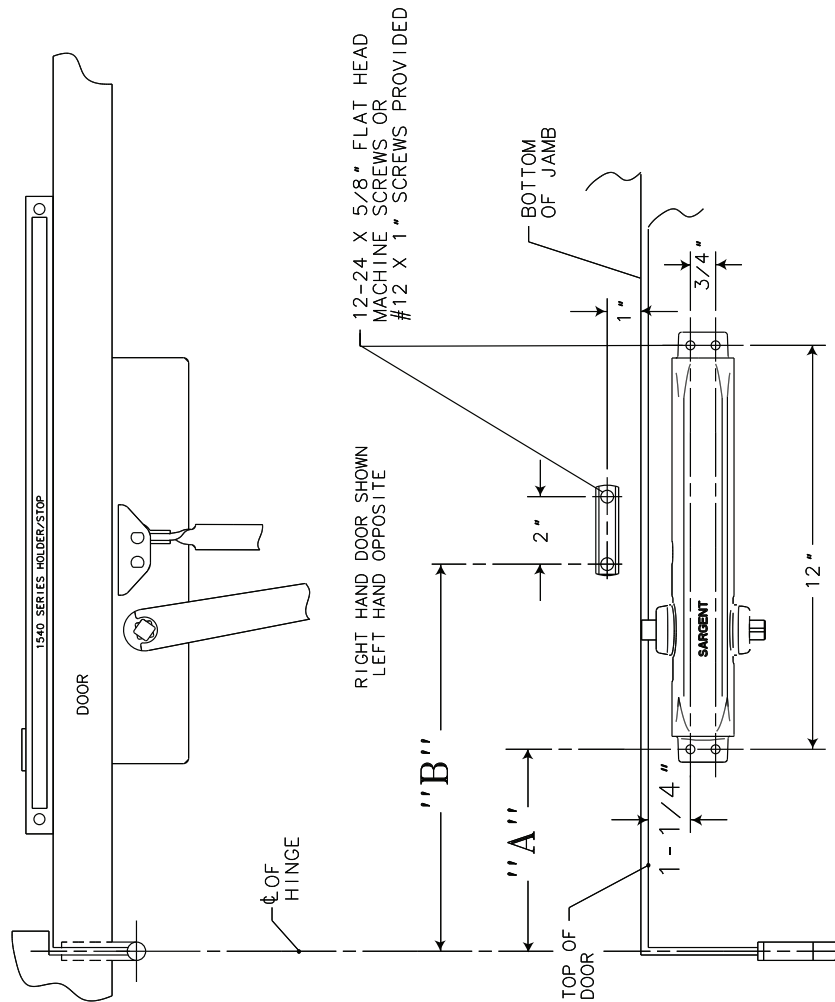
**NOTE:** To protect wall, trim and closer, use a door stop located 5° beyond hold open positions, but not beyond the max. door opening shown on instructions.



# SARGENT

## ASSA ABLOY

HOLDER SIZE	DIM 'A'	DIM 'B'
1546 & 1547	7 <sup>3</sup> / <sub>4</sub> "	13 <sup>1</sup> / <sub>4</sub> "
1548	4"	9 <sup>1</sup> / <sub>2</sub> "
1549	5 <sup>1</sup> / <sub>8</sub> "	9 <sup>5</sup> / <sub>8</sub> "



### NOTES

1. REINFORCE METAL DOORS & FRAMES PER ANSI A250.8 AND SDI-100 STANDARDS, 12 GAUGE RECOMMENDED.
2. FOR 1540 INSTALLATION, SEE TEMPLATES A7488, A7489 & A7490

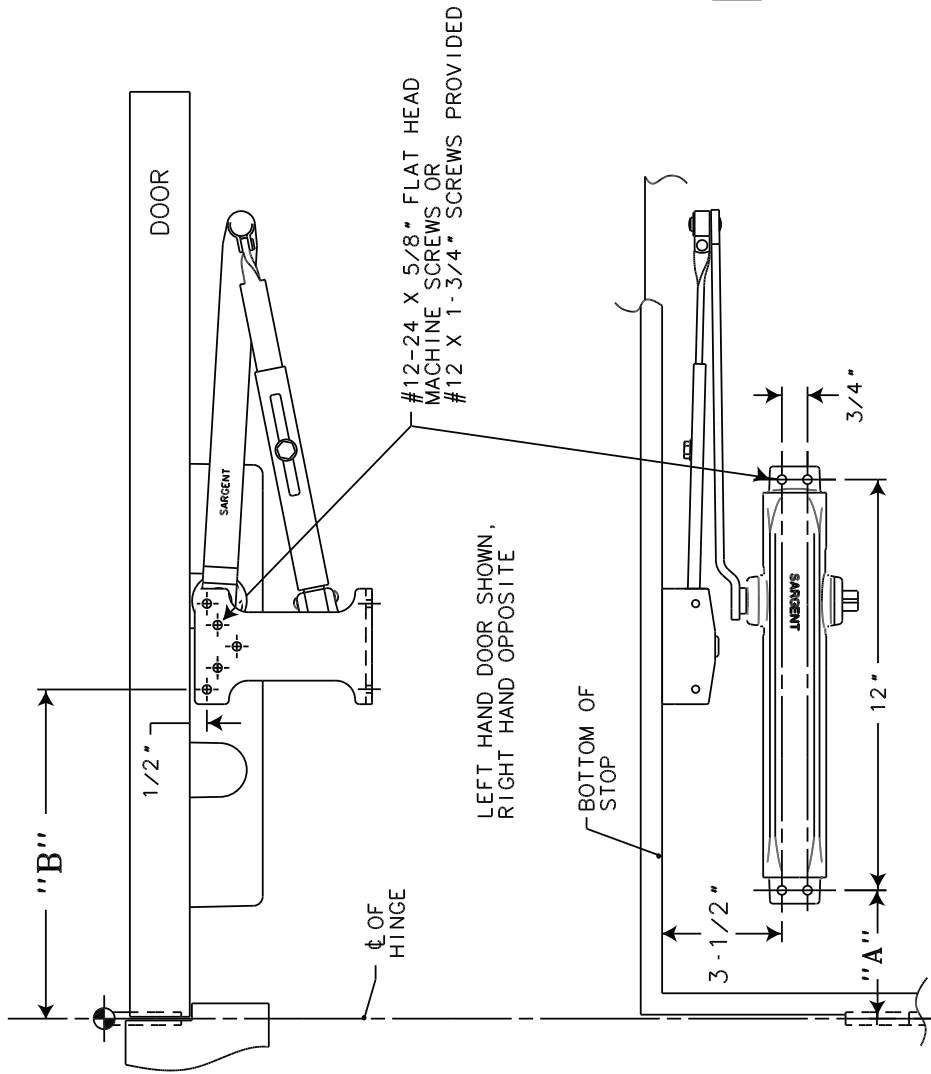
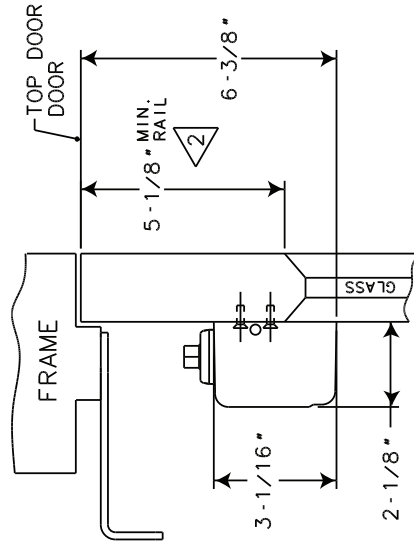
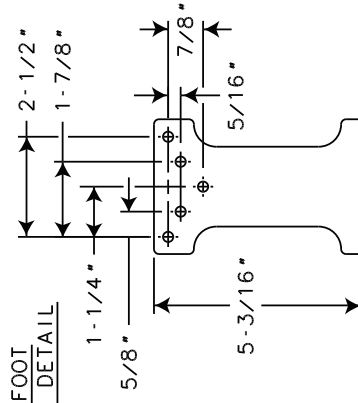
<b>SARGENT</b> Manufacturing Company 100 Sargent Drive New Haven, CT 06511	
DATA SHEET:	RELEASE DATE
1331 DOOR CLOSER WITH JO ARM AND 1540 SERIES OVERHEAD STOP STANDARD APPLICATION	TEMPLATE NO. A7746 A

# SARGENT

## ASSA ABLOY

MAXIMUM DEGREE OF DOOR OPENING	DIM 'A'	DIM 'B'
120°	3 <sup>3</sup> / <sub>4</sub> "	9 <sup>1</sup> / <sub>2</sub> "
180°	1 <sup>3</sup> / <sub>8</sub> "	7 <sup>1</sup> / <sub>8</sub> "

JPH9 FOOT BRACKET DETAIL



**NOTES**

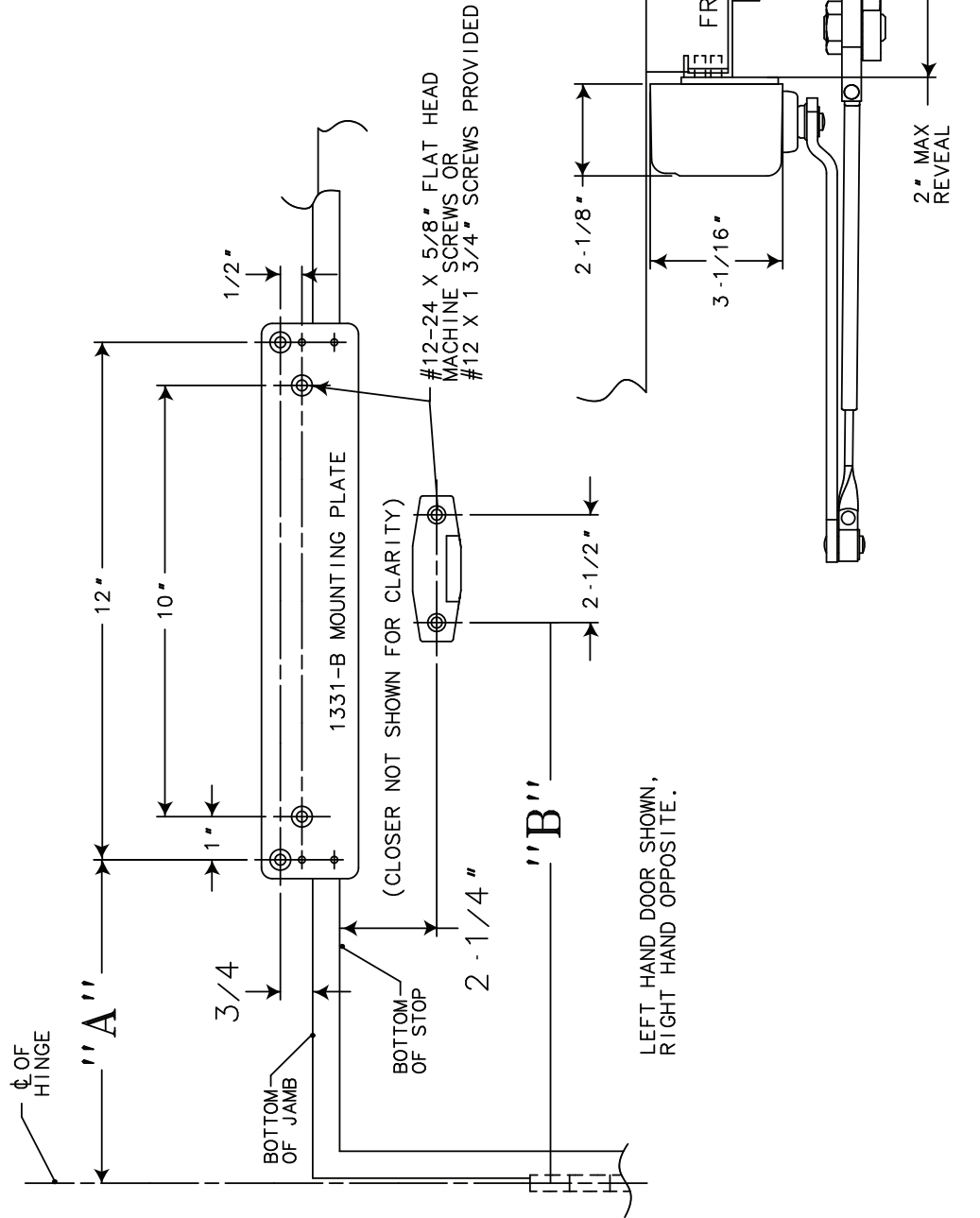
1. REINFORCE METAL DOORS AND FRAMES PER ANSI A250.8 AND SDI-100 STANDARDS, 12 GAUGE RECOMMENDED.
2. FOR THIN TOP RAIL DOORS, USE 1331-D PLATE. SEE TEMPLATE A7750.

<b>SARGENT</b> Manufacturing Company 100 Sargent Drive New Haven, CT 06511	
DATA SHEET: 1331 DOOR CLOSER WITH JPH9 HOLD OPEN ARM, PARALLEL ARM APPLICATION	RELEASE DATE TEMPLATE NO. A7745 A

# SARGENT

## ASSA ABLOY

MAXIMUM DEGREE OF DOOR OPENING	DIM "A"	DIM "B"
120°	6 <sup>3</sup> / <sub>4</sub> "	12 <sup>3</sup> / <sub>8</sub> "
180°	4 <sup>5</sup> / <sub>8</sub> "	10 <sup>1</sup> / <sub>8</sub> "



LEFT HAND DOOR SHOWN,  
RIGHT HAND OPPOSITE.

NOTES

1. REINFORCE METAL DOORS AND FRAMES PER ANSI A250.8 AND SDI-100 STANDARDS, 12 GAUGE RECOMMENDED.

<b>SARGENT</b> Manufacturing Company 100 Sargent Drive New Haven, CT 06511	
DATA SHEET: 1331 DOOR CLOSER WITH JH ARM AND 1331-B MOUNTING PLATE, TOP JAMB LOW CEILING APPLICATION	RELEASE DATE TEMPLATE NO. A7751 A