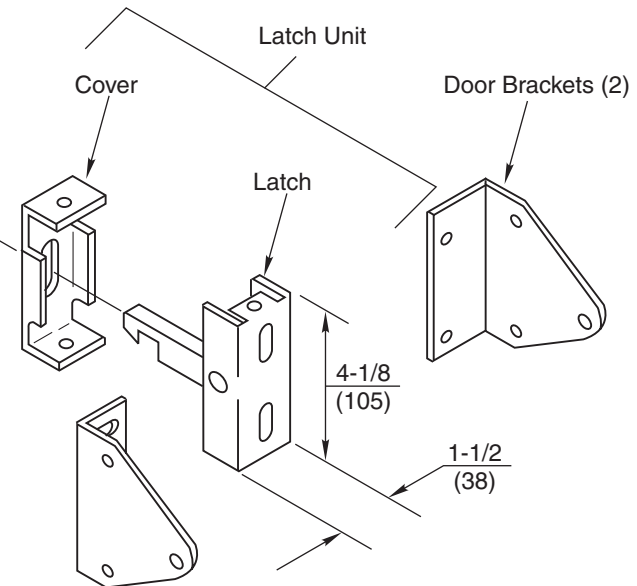


NOTES:

1. Do not scale drawing.
2. To permit testing and manual release of door, locate height of unit within easy reach.
3. For horizontal sliding doors a closing mechanism with a minimum closing of 3 lbs. pull at the FM973S unit is required for positive release of unit. Door closing mechanisms are not furnished by Rixson.
4. Anchorage to supporting wall should be capable of withstanding a 300 lb. pull.
5. Factory mutual approved for Class1, Division 2 locations.
6. FM973S has a 75 lb. maximum holding force.
7. Power requirements: 12 VDC, 24 VAC, 120VAC.

12 VDC	.08 amps
24 VDC	.08 amps
24 VAC	.150 amps
120 VAC	.150 amps
8. Horizontal or incline track sliding doors.
9. All dimensions given in inches (mm).



**FM972S and FM973S Door Release
Sliding Door Application**

RIXSON®
ASSA ABLOY

www.rixson.com

TEMPLATE NUMBER

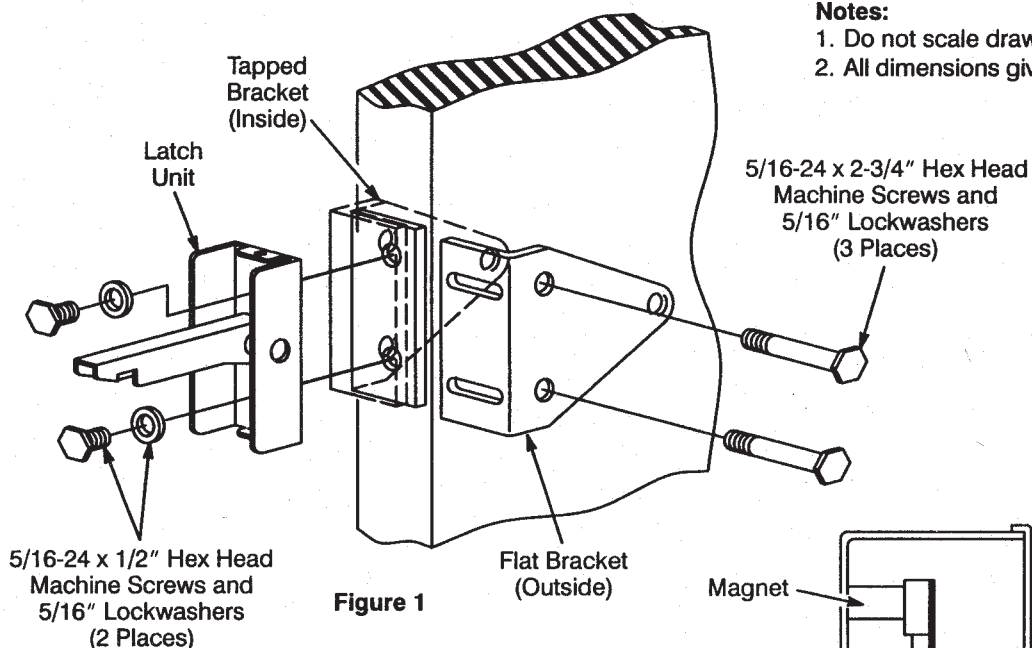
DATE

DR100010A

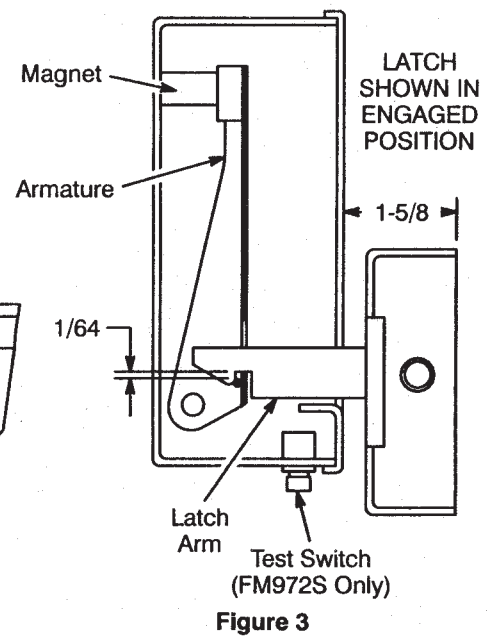
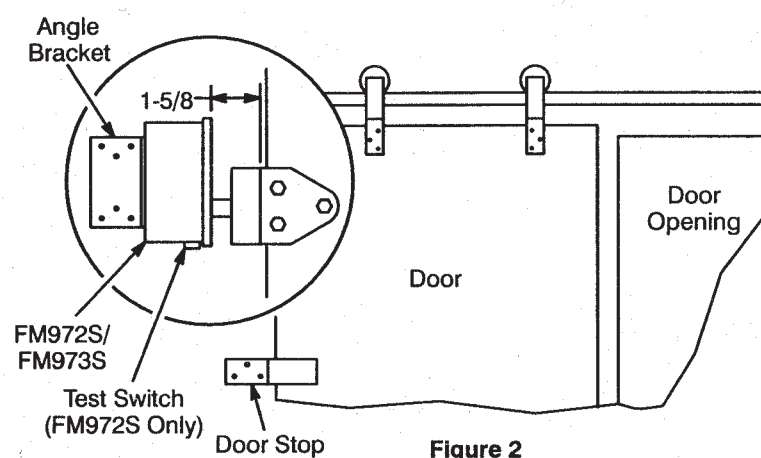
02-09

Installation Instructions

1. Check existing power supply rating against rated voltage on unit. Voltage specifications label located inside of unit in the box cover.
2. Remove front covers from both Main and Latch units.
3. Secure door brackets and latch unit to edge of door as follows:
 - a. Place door bracket with tapped holes on back side of door. Place flat door bracket on front of door. Mark and drill three (3) 5/16" dia. holes through door for three (3) 5/16-24 x 2-3/4" hex head machine screws. Do not mount brackets to door.
 - b. Attach latch unit to brackets using two (2) 5/16-24 x 1/2" hex head machine screws and flat washers (through latch unit). DO NOT tighten screws.
 - c. Secure assembled latch unit and door brackets to door using three (3) 5/16-24 x 2-3/4" hex head machine screws and lockwashers. Tighten bracket mounting screws securely.
4. Attach angle bracket to main unit using four (4) 1/4-28 x 1/2" hex head machine screws and lockwashers. DO NOT tighten screws. See Figure 2.
5. Open door to extreme open position against door stop. Main unit should now be aligned with latch unit as follows:
 - a. Align main unit so latch arm passes through the center of the opening in the armature. Unit must be mounted vertically. (Test switch on FM972S unit must be towards floor.) Tighten four (4) 1/4-28 x 1/2" hex head machine screws on angle bracket and main unit.
 - b. 1-5/8" dimension must be maintained between mounting bracket or back side of latch unit and face of FM972S. Door must be against door stop.
 - c. Hold unit in this position and mark location for two (2) mounting screws. Drill holes and secure bracket.
 - Use four (4) #20 x 2" lag screws and lockwashers for installation into wood backing.
 - Use two (2) #20 x 2" lag screws, lockwashers and rawl plugs for installation into masonry walls. Drill 3/8" diameter holes for rawl plugs provided.
 - Use two (2) 5/16-18 x 3/4" machine screws and lockwashers for metal mounting. Drill and tap 5/16-18 holes.
 - d. Align latch unit for 1/64" vertical clearance between latch arm and catch on armature. See Figure 3.
6. Secure all screws and bolts. Replace both covers.



Notes:
 1. Do not scale drawing.
 2. All dimensions given in inches.



FM972S and FM973S Door Release Sliding Door Application Installation Instructions

RIXSON
 ASSA ABLOY
 www.rixson.com

TEMPLATE NUMBER	DATE
DR100010B	02-09