

Door Controls

ASSA ABLOY

The global leader in
door opening solutions

NORTON | RIXSON

Price List

USA and Canada Prices Effective June 3, 2019

Tools And Rules

| | |
|--|-------|
| Business Hours | 4 |
| 2019 Holiday and Inventory Schedule..... | 4 |
| Ordering Tips and Checklist | 5 |
| Order Form..... | 6 |
| How to Sign up for: | |
| eBusiness | 7 |
| Fax Program – Order Acknowledgements and Invoices | 7 |
| Terms and Conditions..... | 8-9 |
| Limited Warranty..... | 10 |
| Trademark Use Policy..... | 11 |
| Finishes and Fasteners..... | 12 |
| *#2 Door Holder | 13 |
| *78-B/F Series Closers and Accessories | 13-14 |
| 160 Series Closers | 15 |
| 210 Series Closers | 15 |
| 410 Series Closers | 16 |
| 1600BC Series | 17 |
| 1601 Series Closers | 18 |
| 1600BC, 1601 Accessories..... | 20 |
| 1700 Series Closers and Accessories | 21 |
| *2800ST Cam Action Closers and Accessories | 21 |
| 7500 Series Closers | 22-23 |
| 7500 Accessories | 24-25 |
| Special Application Closers | 25 |
| 7900 Overhead Concealed Closers | 27 |
| 8101 Series Closers | 28 |
| 8301 Series Closers | 29-30 |
| 8501 Series Closers | 31-32 |
| 8000 Accessories | 33-34 |
| 9300BC Series Closers and Accessories..... | 35-36 |
| 9500 Series Closers | 37-38 |
| 9540 Series Closers | 39 |
| Corrosion Resistant Closers | |
| *1600BCSS and 1601SS | 19 |
| *7500SS | 23 |
| Security Closers | |
| *7570 | 26 |
| *7970 Overhead Closers | 27 |

Electrified

| | |
|--|-------|
| Operators | |
| 5600 Series | 40 |
| 5700 Series | 41 |
| 5800 Series | 42 |
| 6000 Series | 43-44 |
| 6300 Series | 45 |
| Accessories | 46-47 |
| *7100SZ SafeZone®..... | 48 |
| 7200 Electromechanical Closers..... | 49-50 |
| 7700PT Power Track®..... | 51 |
| Parts | |
| Closer Bodies..... | 52 |
| Fasteners | 53-54 |
| Arm and Arm Assemblies | |
| 1600BC, 7500, 8000, 9300BC..... | 55-57 |
| 9500 | 57 |
| 9540 | 57 |
| Low Profile..... | 58 |
| Parallel Rigid, CloserPlus®, CloserPlus Ramp™ CloserPlus Spring™, and Rigid | 58-59 |
| 1700 | 59 |
| Stainless Steel | 59 |
| Security | 60 |
| Unitrol® (Parallel and Top Jamb) | 60-61 |
| Slide Track..... | 62 |
| 78-B/F | 62-63 |
| 2800ST..... | 63 |
| 7900, 7970 | 63 |
| Electrified | |
| Operators | |
| 5600 Series | 64 |
| 5700 Series | 64 |
| 6000 Series | 64-66 |
| 6300 Series | 66 |
| SafeZone® | 67 |
| Electromechanical..... | 68 |
| Power Track®..... | 69 |

* Unique products offered by Norton®

For special application needs, please contact Technical Product Support at 877-974-2255

| | | | |
|--|-----|---|-----|
| Tools and Rules | | Overhead Concealed Closers | 105 |
| Service Center Business Hours | 72 | Commodity Grade 608 Series | |
| Holiday Schedule | 72 | Architectural Grade 700 & 800 Series | |
| Ordering Protocol | 72 | Architectural Grade 91 Series | |
| Trademark Use Policy | 73 | Pivots and Pivot Sets | 113 |
| E-Business | 74 | Offset Pivot Sets | |
| Fax Program | 75 | 117-1/4, 117, 173, 147, L147, 117-1/2, L117 | |
| Limited Warranty | 76 | Intermediate Pivots | |
| Terms and Conditions | 77 | Pocket Pivots | |
| Finish Definitions | 79 | Electrified Pocket Pivots | |
| Heavy Duty Floor Closers | 80 | Electrified Intermediate Pivots | |
| Offset Hung | | Center Hung Pivot Sets | |
| 27, 127, 427, 327, L27, Q27, HM27, 20 | | 127-3/4, 128-3/4, 370, 375, 117-3/4, H117-3/4, | |
| Single Acting Center Hung | | 178, 176 | |
| 28, H28, 328, 428, EH28 | | Center Hung Top Pivots | |
| Double Acting Center Hung | | Electrified Center Hung Top Pivots | |
| 30, 40, H40 | | Checkmate® Stops & Holders | 123 |
| Shallow Depth Floor Closers | 91 | Thresholds | 129 |
| Offset Hung | | Electromagnetic Door Holder/Releases | 133 |
| 51, 53, Q51, HM51 | | Electrified Closer/Holders | 135 |
| Single Acting Center Hung | | Smok-Chek® V | |
| 50, 5040 | | Smok-Chek® VI | |
| Double Acting Center Hung | | Checkmate® 99 | |
| 5020 | | Parts | 139 |
| Specialty Closers | 99 | | |
| Duo Chek® Double Acting Floor Closers | | | |
| 10, 12, 15, 16 | | | |
| Gate Closers | | | |
| 354, 355, 356, 357, 359 | | | |
| Security Closers | | | |
| SEC27 | | | |
| Exterior Gate Closers | | | |
| 1351 | | | |
| Door Control Accessories | 103 | | |
| Caster | | | |
| Special Cement Cases | | | |
| Cover Pans | | | |
| Applied Stop | | | |
| Installation Tools | | | |

SERVICE CENTER BUSINESS HOURS

ASSA ABLOY Door Security Solutions
Customer Service – Monroe
1902 Airport Road
Monroe, NC 28110
Tel: (800) 438-1951
Fax: (800) 338-0965

Hours of Operation
8:00 a.m. – 4:30 p.m. (Eastern)

ASSA ABLOY Service Center Inc. – Southwest
5678 Concours Street
Ontario, CA 91764
Tel: (909) 593-2100
Fax: (909) 593-2500

Hours of Operation
7:30 a.m. - 4:00 p.m. (Pacific)

Norton Technical Product Support
3000 Highway 74 East
Monroe, NC 28112
Tel: (877) 974-2255
Fax: (704) 233-1608

Hours of Operation
8:00 a.m. – 4:30 p.m. (Eastern)

ASSA ABLOY Door Security Solutions Canada
Customer Service – Vaughan
160 Four Valley Drive
Vaughan ON L4K 4T9
Telephone #: (800) 461-3007
Fax #: (800) 461-8989

Hours of Operation
8:00 a.m. – 4:30 p.m. (Eastern)

HOLIDAY AND INVENTORY SCHEDULE*

Norton Door Controls will be **CLOSED** on the following dates:

2019 in USA

January 1
April 19
May 27
July 4
September 2
September 27, 28 – INVENTORY
November 28, 29
December 24, 25

2019 in Canada

January 1: New Year's Day
January 24: Inventory
February 18: Family Day
April 19: Good Friday
May 20: Victoria Day
July 1: Canada Day
August 5: Civic Holiday
September 3: Labor Day
October 14: Thanksgiving
December 25: Christmas Day
December 26: Boxing Day

* Dates subject to change

ASSA ABLOY

The global leader in
door opening solutions

USA & Canada Prices Effective June 3, 2019

Norton and Rixson are brands associated with ASSA ABLOY Access and Egress Hardware Group, Inc., an ASSA ABLOY Group company. Copyright© 2002-2019, ASSA ABLOY Access and Egress Hardware Group, Inc. All rights reserved. Reproduction in whole or in part without the express written permission of ASSA ABLOY Access and Egress Hardware Group, Inc. is prohibited. **Contact Norton: 877-974-2255 or visit www.nortondoorcontrols.com; Contact RIXSON: 800-457-5670 or visit www.rixson.com. In Canada contact us at: 800-461-3007 or visit www.assaabloydss.ca**

ORDERING TIPS

- Please submit Quick Ship Product Orders and Factory Product Orders on separate order forms.
- If you have a Quote, please include it with the purchase order. Orders without this information included may be delayed.
- Be sure to include Finish for all Closers and Most Accessories.
- Be sure to include Voltage on 7100SZ's, 7200's and Power Track® orders.
- Be sure to include Door Width for Unitrol® (UNI's) orders.
- Be sure to include Handing for all #2 Holders, 78-B/F's, 7100SZ's, 7200's, 7900's and Security Closers.
- Be sure to include RA or PA Arms for 78-B/F's.
- Be sure to include Size on 7100SZ's and 7200's.
- Be sure to include Depth of Reveal for Unitrol's Top Jamb (UNIJ's).

CHECKLIST

Before placing your order, check for the following...

- Purchase Order on Company Letterhead
- Purchase Order is Legible
- Purchase Order Number
- Account Number
- Ship To Address
- Contact Person for Additional Information Requirements
- Pricing Requirements – Buying Program or CPQ (please attach)
- Quick Ship Order (Quick Ship Order Form or Stock #'s Included)
- Handing (#2 Holders, 78-B/F's, 7100SZ's, 7200's, 7900's and Security Closers)
- Door Width (UNI's)
- Finish (all Closers, most Accessories)
- Size (7100SZ's, 7200's)
- Voltage (7100SZ's, 7200's, Power Track®)
- Depth of Reveal (UNIJ's)
- Arms (RA or PA for 78B/F's)

ORDER FORM

It is recommended that the Door Closers Order Form included on page 6 of this price book be used when placing orders for Norton® products. Copies of this form can also be printed from our website (www.nortondoorcontrols.com).

ASSA ABLOY

The global leader in
door opening solutions

USA & Canada Prices Effective June 3, 2019

Norton and Rixson are brands associated with ASSA ABLOY Access and Egress Hardware Group, Inc., an ASSA ABLOY Group company. Copyright© 2002-2019, ASSA ABLOY Access and Egress Hardware Group, Inc. All rights reserved. Reproduction in whole or in part without the express written permission of ASSA ABLOY Access and Egress Hardware Group, Inc. is prohibited. Contact Norton: 877-974-2255 or visit www.nortondoorcontrols.com; Contact RIXSON: 800-457-5670 or visit www.rixson.com. In Canada contact us at: 800-461-3007 or visit www.assaabloydss.ca

| | | | | | | | |
|-------------------------------|--|--|--|--|--|--|------------------------|
| CUSTOMER ACCOUNT # | | PLEASE CHECK <input type="checkbox"/> PARTIAL SHIP <input type="checkbox"/> SHIP COMPLETE | | DATE REQUESTED | SOLD TO ADDRESS | | |
| CUSTOMER P.O. # | | P.O. DATE | CONTACT PERSON PHONE # FAX # | | SHIP TO ADDRESS | | |
| SHIP VIA | | MARKS If markings are required, purchase order will be entered to the factory. See <i>Stock Condensed Order Form</i> to include appropriate information. | | BUYING PROGRAM OR CPQ NUMBER <input type="checkbox"/> _____ | | | |
| QTY <i>Required</i> | Model Number <i>Required</i> | Finish <i>Required</i> | Voltage <i>Electromech- Power Track® AC/DC</i> | Door Width Depth Of Reveal <i>UNI- Depth of reveal UNI- Door Width</i> | HANDS <i>RH or LH 78-B, F, 7900 Electromech 7200, Metal Covers, HO</i> | Description Options <i>Plated closers must specify plastic or metal cover. If not specified, plastic will be shipped. Size needed.</i> | FOR OFFICE ONLY |
| | | | | | | | |
| | | | | | | | |
| | | | | | | | |
| | | | | | | | |
| | | | | | | | |
| | | | | | | | |
| | | | | | | | |
| | | | | | | | |
| | | | | | | | |
| | | | | | | | |
| | | | | | | | |
| | | | | | | | |
| | | | | | | | |
| | | | | | | | |

WEBSITE

For the latest information regarding Norton® products, visit our website at www.nortondoorcontrols.com. The site is easy to navigate and gives quick access to catalogs, templates, installation instructions, product bulletins, etc.

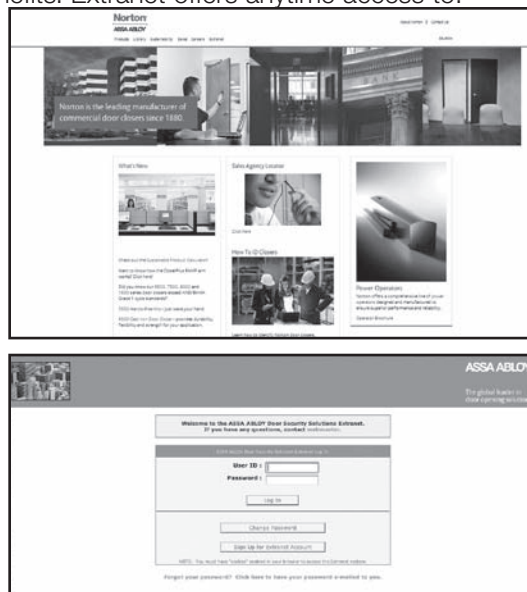
TEMPLATES AND INSTALLATION INSTRUCTIONS

All Norton® templates and installation instructions are available on our website.

Extranet

Visit www.nortondoorcontrols.com to sign up for Extranet access. To sign up for Extranet, follow the simple instructions listed below. Register today and start enjoying the many benefits! Extranet offers anytime access to:

- Order Status
- Order Check by P.O.
- Stock Status Check
- Cross Reference Guide
- Newsletters
- Online Store
- Contact Webmaster
- Extended Literature (Price Books, Order Forms)
- Fax Program Sign Up
- Order Acknowledgements
- Invoices
- Return Good Authorizations



How to sign up for Extranet access:

Step 1: Visit our website at www.nortondoorcontrols.com.

Step 2: Double-click Extranet icon (top right corner).

Step 3: Complete ASSA ABLOY Door Security Solutions Extranet sign-up form.

FAX PROGRAM

To receive company Acknowledgements, Invoices and Return Good Authorizations quickly and efficiently, sign up for the Fax Program. Note: eBusiness User ID and Password required (refer to page 7)

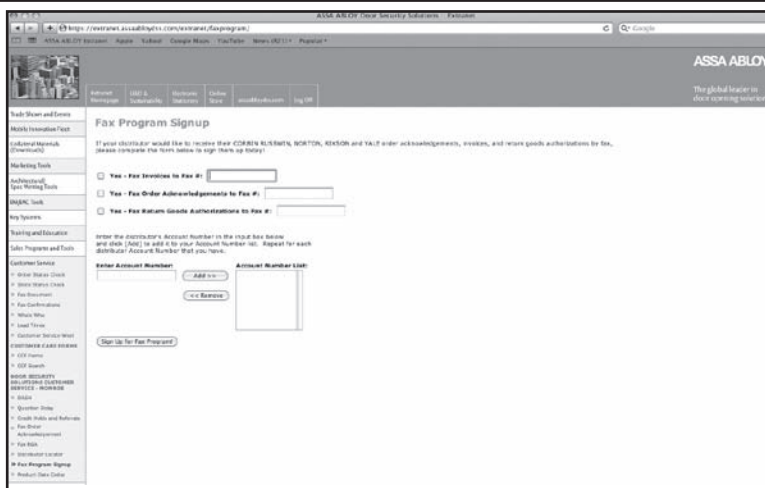
Step 1: Log onto eBusiness

Step 2: Click on “Customer Service” tab (left side of screen)

Step 3: Click on “Fax Program Signup”

Step 4: Fill in appropriate information

Step 5: Click on “Sign Up For Fax Program”



ASSA ABLOY

The global leader in door opening solutions

USA & Canada Prices Effective June 3, 2019

Norton and Rixson are brands associated with ASSA ABLOY Access and Egress Hardware Group, Inc., an ASSA ABLOY Group company. Copyright© 2002-2019, ASSA ABLOY Access and Egress Hardware Group, Inc. All rights reserved. Reproduction in whole or in part without the express written permission of ASSA ABLOY Access and Egress Hardware Group, Inc. is prohibited. Contact Norton: 877-974-2255 or visit www.nortondoorcontrols.com; Contact RIXSON: 800-457-5670 or visit www.rixson.com. In Canada contact us at: 800-461-3007 or visit www.assaabloydss.com

For Terms & Conditions and Warranty information pertaining to product sales in Canada, please visit www.assaabloy.ca/terms.

ACCEPTANCE

Norton reserves the right to decline an order, in whole or in part, when the type or quantity of goods or credit worthiness of the Purchaser is not satisfactory to us in our sole and absolute discretion. Purchase Orders, Quote Requests, Acknowledgements or the like issued by the Purchaser that have contrary standard terms and conditions are not binding on Norton, unless such terms and conditions are approved in a separate written agreement by Norton® authorized representatives. In the event of an acceptance of Purchaser's Purchase Order by Norton, the Purchaser agrees that such acceptance is solely conditioned on Purchaser's acceptance of the terms and conditions set forth in this instrument, regardless of the terms and conditions specified in Purchaser's Purchase Order. The terms and conditions in Purchaser's Purchase Order which conflict with the terms and conditions of this instrument shall be disregarded and are hereby rejected, and this instrument shall constitute the entire agreement between Norton and the Purchaser.

In the event that Norton does not enforce or require strict performance of any term or condition hereof, or of any other document, instrument or other agreement relating to goods sold, such lack of enforcement or requirement of strict performance will not waive, affect or diminish any right of Norton to enforce or require strict performance of such term or condition in the future.

PRICES

All prices are subject to change without notice and are not guaranteed. All shipments will be made at prices in effect at the time of shipment.

Possession of this price list does not constitute an agreement to sell. We reserve the right to correct clerical, stenographic and other obvious errors at any time.

TERMS

Invoices dated the 1st through the 15th will be due for 2% discount on the *10th of the following month. Invoices dated the 16th through the 31st will be due for 2% discount on the *25th of the following month. *Net immediately thereafter. (Norton retains the right to sell or to decline to sell to any Customer for any reason whatsoever that in its judgment is deemed sufficient.)

It is understood that Norton may impose and charge a finance charge which is the lesser of one and one-half percent (1-1/2%) per month or the highest rate allowed by law on any amount which becomes past due and delinquent. Additionally the Customer shall be responsible for all collection costs, court costs and reasonable attorney's fees (where allowed by law) in connection with the recovery of any delinquent amount.

FREIGHT

All orders are shipped FOB factory/warehouse, except as expressly provided below. When delivered to the Transportation Company, the Purchaser assumes the risk of loss or damage in transit.

Customer orders with net product value in excess of \$3,000.00 will be shipped prepaid by NORTON's carrier of choice to a single destination point in the United States. Orders for Norton and RIXSON goods can be combined on one purchase order to meet the \$3,000.00 minimum value for prepaid shipping.

Customer orders with net product value less than \$3,000.00 will be shipped prepaid by NORTON's carrier of choice and freight and handling charges will be added to the Customer's invoice.

A minimum freight and handling charge of \$25.00 will be charged on orders with net product value of \$600.00 or less.

For orders with net product value greater than \$600.00 and less than \$3,000.00, freight charges will be calculated as a percentage of the net invoice value and will be added to Customer's invoice. The percentage is based on the National U.S. Average On Highway Diesel Fuel Prices as reported by the US Department of Energy in effect at the beginning of each quarter. On the first Monday of each quarter, the new rate will be published on the NORTON and Door Security Solutions extranet and will go into effect on the 2nd Monday of the quarter. Please refer to the NORTON distributor extranet for the rate chart and information on the current freight charge percentage. The percentage in effect at the time of shipment of the order will be charged.

If a customer provides their own freight account # for the freight charges, NORTON will apply a handling fee of \$25.00 to the invoice.

Expedited shipping options – If the customer requests an expedited method of shipment such as "Next Day Air" the charges will be prepaid by NORTON and the full rate for the service, as published by the carrier, will be added to the customer's invoice.

Packing – NORTON will pack, mark and ship the products according to its standard procedures for shipment, unless the parties agree, in writing, that NORTON will comply with any special instructions provided by the customer. Special instructions must be submitted, in writing, at time of order placement. Compliance with special instructions may result in an increased price.

MINIMUM ORDER

Minimum order value for complete product is \$250.00 net product value. The minimum order value for parts orders is \$100.00 net product value. In the event that the net product value does not meet the required net minimum, NORTON may, at its sole discretion (a) apply a minimum order charge, (b) reject the order or (c) waive the minimum requirement provided that the waiver of the requirement for one order shall not constitute a waiver of the requirement for any future orders.

QUOTATIONS

If Norton elects to offer a quote, such quote will be valid for one hundred eighty (180) days. Complete shipment of the order must be accepted by Purchaser within standard lead times.

The quote number must be referenced on the order. Any invoiced order that has the incorrect discount applied to it and did not have the quote number written on the order will have a service fee of \$100.00 net DEDUCTED from any sales credit issued for the difference in discount.

The quote is null and void if the Purchase Order does not include **ALL** product lines listed on the quote or if the quantities for any item covered by the quote deviate by **10%** or more.

With the issuance and acceptance of a quote for the purchase of products, the Purchaser agrees that products so purchased will not be resold or transferred to any Distributor not authorized by Norton to sell its products. This would be inclusive of branches of the quoted Distributor. Failure to abide by this restriction may result in the Distributor's ineligibility for Quotations, or other actions in Norton's discretion.

Norton and its sales representatives reserve the right, in their sole discretion and for any reason, to refuse a Distributor's request to quote a price other than Norton standard list price and regardless of whether Norton or its sales representatives have previously quoted discounted prices to the Distributor on some or all of its orders.

NON-CATALOGED PRODUCTS

Products not cataloged or listed in this price book will be considered as special products, and will not be manufactured without prior written approval from Norton.

A minimum special handling charge of \$50.00 will be added for non-cataloged product. Any additional labor or material required will be charged accordingly.

Special products require special handling, and therefore standard lead times may not apply. Please consult with your Norton® Sales Representative for further details.

CHANGES/CANCELLATION OF ORDERS

Changes or cancellations to an order will result in a charge of costs for material and labor expenses that have been incurred prior to notification from Customer. If products have already been made and are located in the shipping room, the 45% restocking fee will apply. Handling charges are billed on Customer's original order.

All Non-Cataloged Goods and NORTON Quick Ship Orders may not be changed or cancelled.

All change requests for goods, other than for the reasons stated above, must be submitted in writing to Customer Service within two (2) business days of receipt of acknowledgment of the order.

For Terms & Conditions and Warranty information pertaining to product sales in Canada, please visit www.assaabloy.ca/terms.

ADD-ON ORDERS TO QUOTE

Any new order requesting special pricing to match an existing quote number, which has already been ordered, will be accepted up to sixty (60) days after the acknowledgement of the original order. All add-on orders must reference the original factory order number and the corresponding quote number to receive the quoted pricing discount. Add-on orders for stock will not be accepted.

PACKAGING

Many items are defined as to Case Lot Packaging or Minimum Order. The Case Lot policy does not apply to hardware to be used on a specific hardware project.

DELIVERY

Orders will be acknowledged and given a scheduled delivery date based on estimated manufacturing lead times. Complete information is required to process all orders. Orders with insufficient information for processing (i.e. door sizes, handing, etc.) may be subject to extended lead times which are relative to the time required in obtaining the necessary information for order processing. Manufacturing lead time will begin once all information is received to process an order. Norton will use reasonable efforts to deliver products as estimated, but makes no guarantees as to delivery dates.

Norton will not be liable for back charges incurred based on availability of product or as a result of delays in delivery caused by insufficient information required to process an order.

Norton will not be held responsible for delays in delivery caused by strikes, fires, floods or any other causes beyond our control, including the delivery of material to us. Under no circumstances shall Norton be liable or accountable for consequential damages due to failure of delivery.

CLAIMS

In the event of Company or Customer error, claims for shortages, pricing errors and/or incorrectly filled orders must be submitted in writing to Customer Service within thirty (30) days from receipt of material.

Any claims for shortages or damage by the Carrier must be made by the Customer directly to the Carrier.

INVOICE DEDUCTION

A NORTON Sales Representative or Customer Service Representative must be notified of any disputed invoices within sixty (60) days from the date of invoice. Deductions should only be taken for the disputed amount and the balance of the invoice is due and payable within standard payment terms.

RETURNED GOODS

It is the policy of Norton to not accept returns of any materials that are correctly furnished as per the Distributor's Purchase Order. Return of product due to customer order error or accommodation must be pre-arranged with Norton and approved in writing by Sales Management.

All products returned as "Goodwill" must meet the following criteria to be considered a return:

- Be in original, unmarked and undamaged cartons.
- Be valued in excess of \$250.00 net.
- Shipped and invoiced within the previous 120 days.
- Custom orders and non-cataloged goods, are not returnable.

A **MINIMUM** restocking fee of **45%** will be charged. Upon receipt and verification by Norton that the returned merchandise meets the foregoing conditions, a credit will be issued for the original invoice amount less the **MINIMUM 45%** restocking fee. Defective goods and "Goodwill" products that meet the foregoing criteria may be returned by fulfilling the following conditions:

- Send an RGA request in writing to the NORTON Sales Representative serving the Purchaser's area.
- Ensure the RGA labels that are sent to Purchaser by Norton are visible on return goods shipment.

- Ensure that the RGA number appears on the return shipment label and is legible.
- Return the authorized merchandise within sixty (60) days from the date of RGA issuance date.
- Return shipments must be freight prepaid to the location specified on the RGA. Norton is not liable for damages to product during shipping.

No credit may be taken or issued prior to RGA approval and receipt of product. All defective goods within the terms of our limited warranty may be returned for credit or replacement.

TAXES

Prices do not include any present or future Federal, State, or Local property, license, privilege, sales, use, excise, gross receipts or other like taxes or assessments, which may result from transactions or any services performed in connection herewith.

GOVERNING LAW

The rights and obligations of the parties shall be governed by the laws of the State of North Carolina, excluding any conflicts of law provisions. The United Nations Convention on Contracts for the International Sale of Goods shall not apply to this Agreement.

LIMITED WARRANTY

The Terms and Conditions outlined above are subject to Norton's Limited Warranty, which is included in this Price List and incorporated herein by reference.

PRODUCT MODIFICATIONS

NORTON products are not designed or intended for aftermarket modification. The warranty on NORTON products becomes void if the product is modified in any way, regardless of whether the modification causes or contributes to any alleged defect. Warranty voiding modifications include, but are not limited to, third-party electrification of non-electric products and/or the installation of non-approved or non-Norton components.

If a NORTON product is modified it no longer meets industry certification and quality control standards applicable to the original product and is no longer a genuine NORTON product. A modified product may not be sold as a NORTON product and no NORTON trademarks or certification marks based on the original NORTON product, such as U.L. or ANSI/BHMA marks, may appear anywhere on the modified product or on any packaging, literature, or instructions sold with the modified product.

All original NORTON packaging and literature carries NORTON trademarks and must be destroyed if the original NORTON product is modified. Portions of the product that carry a NORTON trademark or certification mark must be discarded and/or replaced by the party making the modification. U.L. and other certification testing and marking are also the responsibility of the party making modification. The use of NORTON trademarks on modified products constitutes trademark infringement.

TECHNICAL INFORMATION AND ADVICE

(a) All designs, data, and specifications provided by Company are proprietary and will not be disclosed or reused by Customer without the prior written consent of Company; (b) Company assumes no obligation or liability for any advice given by Company, the results obtained, or damages incurred, and all such advice is given and accepted at Customer's risk.

RETROFITTING FIRE DOOR APPLICATIONS

Any retrofit or other field modification to a fire rated opening can potentially impact the fire rating of the opening and NORTON makes no representations or warranties concerning what such impact may be in any specific situation. When retrofitting any portion of an existing fire rated opening, or specifying and installing a new fire-rated opening, please consult with a code specialist or local code official (Authority Having Jurisdiction) to ensure compliance with all applicable codes and

For Terms & Conditions and Warranty information pertaining to product sales in Canada, please visit www.assaabloy.ca/terms.

LIMITED WARRANTY

Yale Security Inc® (the “Company”) warrants that its products sold under the NORTON trade name in the United States of America are free from defects in workmanship and materials under normal use and service.

This warranty does not cover defects or damage arising from improper installation, lack of or improper maintenance, improper storage, shipping and handling, ordinary wear and tear, misuse, abuse, accident, unauthorized service, use with unauthorized non-Norton products or parts or the effects of erosion, or corrosion on the finish. This warranty is void if any modification is made to the product, regardless of whether the modification causes or contributes to the alleged defect. All modifications are made at the risk of the party making the modification.

The only liability of the Company in tort or contract whether under this warranty or otherwise shall be limited to the repair or replacement of any product or component part which shall prove defective as covered by this warranty.

The warranty period after delivery to the original purchaser in all cases is as follows:

NORTON Door Controls:

| | |
|--|-----------|
| 5600 Series | 1 year |
| 5700, 5800 ADAEZ®, 5900 (Discontinued Sept. 2017), 6000, 6300, 7100SZ SafeZone®, 7200 Electromechanical, 7700 PowerTrack® Series | 2 years |
| 160, 1700, 9300BC Series | 5 years |
| 78B/F, 210, 410, 2800ST, 7900 Series | 10 years |
| 1600 Series | 25 years* |
| 7500, 7700 (discontinued Jan. 2015), 8000, 9500, 9540 Series | 25 years* |

The Company will not pay for the cost of repair performed other than in accordance with this warranty. Written notice of a product or component part believed to be defective as covered by this warranty should be sent to Yale Security, Inc. 1902 Airport Road, Monroe, NC 28110, and should include your name and address, an identification of the product or component part and a brief description of the defect. Upon receipt of such notice, the Company will inform you where to ship such product or component part, shipping charges prepaid, for examination and, in the event such examination reveals defect covered by this warranty, the product will be repaired or replaced.

THIS WARRANTY IS IN LIEU OF ALL OTHER EXPRESS WARRANTIES. TO THE EXTENT PERMITTED BY LAW, ALL IMPLIED WARRANTIES ARE LIMITED TO THE DURATION OF THIS WARRANTY. YALE SECURITY INC. SHALL NOT BE LIABLE FOR ANY INCIDENTAL OR CONSEQUENTIAL DAMAGES.

SOME STATES DO NOT ALLOW LIMITATIONS ON HOW LONG AN IMPLIED WARRANTY LASTS OR THE EXCLUSION OR LIMITATION OF INCIDENTAL OR CONSEQUENTIAL DAMAGES, SO THE ABOVE LIMITATIONS OR EXCLUSIONS MAY NOT APPLY TO YOU. THIS WARRANTY GIVES YOU SPECIFIC LEGAL RIGHTS, AND YOU MAY ALSO HAVE OTHER RIGHTS, WHICH VARY FROM STATE TO STATE.

*Product must be manufactured after August 1, 2012.

Norton
Limited Warranty

The following policy (“Policy”) of ASSA ABLOY Americas (“ASSA ABLOY”), and all of its affiliated group companies (collectively, the “Group Companies”), applies to the use of certain intellectual property of all such Group Companies, including all trademarks, names, logos, product images, and related information (the “ASSA ABLOY Marks”). ASSA ABLOY Marks are proprietary and critical to the success of ASSA ABLOY and the Group Companies, and may only be used in strict compliance with this Policy. This Policy covers any person or entity reselling any product of any Group Company with the consent of such Group Company (each, an “Approved Reseller”). Each Approved Reseller has a non-exclusive right to use certain of the ASSA ABLOY Marks relating to any of the Group Companies for which it is an Approved Reseller, subject to the following conditions:

- (1) Approved Reseller’s use of ASSA ABLOY Marks must be truthful, fair, and not misleading;
- (2) Approved Reseller’s advertising must clearly indicate that it is advertising of the Approved Reseller, and is not advertising of ASSA ABLOY;
- (3) Approved Reseller may not use any ASSA ABLOY Marks as part of or in connection with a domain name;
- (4) Approved Reseller’s advertising must not imply or suggest an association between the Approved Reseller and ASSA ABLOY other than that of buyer and seller;
- (5) Approved Reseller’s use of ASSA ABLOY Marks must be a positive representation of ASSA ABLOY, the Group Companies, and their products;
- (6) Approved Reseller’s trade name must be more predominant on Approved Reseller’s advertising than the ASSA ABLOY Marks;
- (7) Approved Reseller’s use of ASSA ABLOY Marks must include the trademark symbol ® or TM, as appropriate, along with the following trademark legend printed in legible text on the Web page or document containing ASSA ABLOY Marks: “[describe ASSA ABLOY Marks] are trademarks or registered trademarks of ASSA ABLOY, Inc. or one of its affiliates in the United States and other countries.”;
- (8) Approved Reseller must not make modifications of any ASSA ABLOY Marks; and
- (9) Approved Reseller may use only ASSA ABLOY Marks associated with the Group Companies for which it is an Approved Reseller (e.g., an Approved Reseller that sells Group Company X products but not Group Company Y products may use Group Company X trademarks in connection with its sale of Group Company X products, but may not use Group Company Y trademarks).

ASSA ABLOY reserves the right to review Approved Reseller’s usage of ASSA ABLOY Marks at any time and may:

- (a) require changes to the use of ASSA ABLOY Marks at any time in its sole discretion, which changes must be implemented within 30 days of written notice to Approved Reseller;
- (b) condition the use of ASSA ABLOY Marks on ASSA ABLOY’s prior approval of such use, which approval may be withheld in its sole discretion;
- (c) revoke permission to use ASSA ABLOY Marks at any time for any or no reason upon 30 days prior written notice to Approved Reseller; and
- (d) revoke permission to use ASSA ABLOY Marks immediately upon notice to Approved Reseller in the event Approved Reseller is in violation of this Policy, or of any other agreement with ASSA ABLOY or any Group Company.

Approved Reseller’s right to use ASSA ABLOY Marks in no way conveys to Approved Reseller any proprietary or economic interest in any ASSA ABLOY Marks. Use of ASSA ABLOY Marks in violation of this Policy may result in severe civil and criminal liabilities. ASSA ABLOY will vigorously enforce this Policy by seeking all appropriate legal remedies, including, but not limited to, pecuniary damages and injunctive relief.

Norton offers waterborne acrylic, polyester powder coat and plated finishes. Custom finishes are available on special order. Not every finish is available on every closer series; please refer to product catalog or customer service for confirmation. Prices listed in this book are for waterborne (sprayed) or powder coat finishes. Additional charges apply for plated finishes.

| ANSI/BHMA | DESCRIPTION |
|-----------|---|
| 689 | Aluminum |
| 690 | Dark Bronze |
| 691 | Light Bronze |
| 693 | Black |
| 694 | Medium Amber |
| 696 | Satin Brass |
| 613E | Dark Oxidized Satin Bronze - Equivalent |
| BSP | Black Suede |
| WSP | White Suede |

Closer bodies and plastic covers are available in waterborne acrylic finishes; arms and metal covers are available in powder coat or plated finishes.

| ADDITIONAL PLATING CHARGES | |
|--------------------------------------|-----------------------------------|
| SERIES 8501, 7500, 9500, 9540 | 605, 606, 611, 612, 619, 625, 626 |
| Arm | ADD \$317.00 |
| *Cover - Metal | ADD \$218.00 |
| Drop Plates | ADD \$191.00 |
| Sex Nuts | ADD \$30.00 |
| Soffit Plates | ADD \$97.00 |

| ANSI/BHMA | DESCRIPTION |
|------------------|---------------|
| 605 [^] | Bright Brass |
| 606 [^] | Satin Brass |
| 611 [^] | Bright Bronze |
| 612 [^] | Satin Bronze |
| 619 [^] | Satin Nickel |
| 625 [^] | Bright Chrome |
| 626 [^] | Satin Chrome |

[^] Designates plated finishes.

| ADDITIONAL PLATING CHARGES | |
|----------------------------|-----------------------------------|
| SERIES 1600BC, 1601 | 605, 606, 611, 612, 619, 625, 626 |
| Arm | ADD \$317.00 |

| ADDITIONAL PLATING CHARGES | |
|----------------------------|-----------------------------------|
| SERIES 7900, 7970 | 605, 606, 611, 612, 619, 625, 626 |
| Arm | ADD \$317.00 |
| Dress Plates | ADD \$317.00 |

*Metal cover suffix "M" to closer model number. Cost of metal cover included in additional charge.

SPECIAL FINISHES:

| | |
|---|---------------------------|
| * Contact factory for availability * A set-up fee will be added to EACH purchase order that lists non-standard sprayed or powder coat finishes. | ADD \$800.00 |
| Discount 50% only. Fee will appear as a separate line item on invoice: SETUPDCG. | |
| 600 special rust inhibiting prime coat. | ADD \$36.00 |
| LEAD LINED METAL COVER | ADD \$179.00 |
| GROMMET NUTS¹: Suffix "TBGN" to model number. Ordered with closer - PKG of 4 each | N/C |
| SEX NUTS¹: Bolts excluded Ordered with closer - Sprayed Steel - PKG of 4 each Ordered with closer - Stainless Steel - PKG of 4 each | ADD \$2.00 ADD \$82.00 |
| Torx[®] TOOL KIT #20-0040-0868-005 Includes one handle/driver and six bits; T10, T15, T20, T25, T27 and T30 Note: Furnished no charge with first 30 closers. Another kit furnished with each additional 52 closers. | ADD \$181.00 |

¹See page 53 for packages.

DOOR CLOSER PAINT (PRICE PER CAN)

(12 cans per carton)

| MODEL NO. | PRODUCT DESCRIPTION | LIST PRICE |
|-----------|--------------------------------------|------------|
| 1A | Aluminum Spray Paint (689) | \$36.00 |
| 2BZ | Light Bronze Spray Paint (691) | |
| 5S | Dark Bronze (STAT) Spray Paint (690) | |
| 6SB | Gold Spray Paint (696) | |
| 78BSP | Black Suede Powder Coat (BSP) | |
| | | \$45.00 |

USA & Canada Prices Effective June 3, 2019 – Revised 06/06/19

ASSA ABLOY

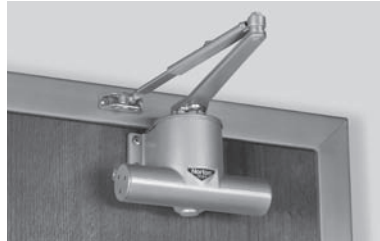
The global leader in door opening solutions

Norton and Rixson are brands associated with ASSA ABLOY Access and Egress Hardware Group, Inc., an ASSA ABLOY Group company. Copyright© 2002-2019, ASSA ABLOY Access and Egress Hardware Group, Inc. All rights reserved. Reproduction in whole or in part without the express written permission of ASSA ABLOY Access and Egress Hardware Group, Inc. is prohibited. Contact Norton: 877-974-2255 or visit www.nortondoorsolutions.com; Contact RIXSON: 800-457-5670 or visit www.rixson.com. In Canada contact us at: 800-461-3007 or visit www.assaabloydss.com



#2 DOOR HOLDER

| MODEL NO. | PRODUCT DESCRIPTION | APPROX. SHIPPING WEIGHT (lbs) | LIST PRICE (689, 690, 691, 693, 694, 696) |
|-------------------|-----------------------------|-------------------------------|--|
| #2 | Door Holder | 3 | \$236.00 |
| #2 x 1618D | Door Holder x 1618D Bracket | | |
| 9-B, 9-B/C, 9-E/F | Adaptor Plates | | \$99.00 |



78-B/F SERIES

(4 per case)

NON-HOLD OPEN

| MODEL NO. | PRODUCT DESCRIPTION | APPROX. SHIPPING WEIGHT (lbs) | LIST PRICE (689, 690, 691, 693, 694, 696) |
|-----------|-----------------------------------|-------------------------------|--|
| 78B/D-RA | Regular Arm | 10 | \$1,127.00 |
| 78E/F-RA | | | |
| 78B/D-PA | Parallel Arm | | |
| 78E/F-PA | | | |
| 78B/D-DA* | Delayed Action (Regular Arm Only) | | |
| 78E/F-DA* | | | |
| 78B/D-PRA | Parallel Rigid Arm | \$1,150.00 | |
| 78E/F-PRA | | | |
| ^UNI78B/D | Unitrol® Arm | 13 | \$1,365.00 |
| ^UNI78E/F | | | |

HOLD OPEN

| | | | |
|-------------|--------------------------------|----|------------|
| 78B/D-HA | Regular 90° - 180° Holder Arm | 11 | \$1,173.00 |
| 78E/F-HA | | | |
| 78B/D-PHA | Parallel 90° - 180° Holder Arm | | |
| 78E/F-PHA | | | |
| 78B/D-PRHA | Parallel Rigid Hold Open Arm | | \$1,206.00 |
| 78E/F-PRHA | | | |
| ^UNI78B/D-H | Unitrol® Hold Open Arm | 13 | \$1,446.00 |
| ^UNI78E/F-H | | | |

^When Ordering Specify Door Width. *Specify hand - not field reversible.

ASSA ABLOY

The global leader in door opening solutions

USA & Canada Prices Effective June 3, 2019

Norton and Rixson are brands associated with ASSA ABLOY Access and Egress Hardware Group, Inc., an ASSA ABLOY Group company. Copyright© 2002-2019, ASSA ABLOY Access and Egress Hardware Group, Inc. All rights reserved. Reproduction in whole or in part without the express written permission of ASSA ABLOY Access and Egress Hardware Group, Inc. is prohibited. Contact Norton: 877-974-2255 or visit www.nortondoорcontrols.com; Contact RIXSON: 800-457-5670 or visit www.rixson.com. In Canada contact us at: 800-461-3007 or visit www.assaabloydss.ca

BACKPLATES AND DROP PLATES

| MODEL NO. | PRODUCT DESCRIPTION | LIST PRICE |
|-----------|-------------------------|--------------------------------|
| | | (689, 690, 691, 693, 694, 696) |
| 88 | Parallel Arm Drop Plate | \$104.70 |
| 9-B | Adaptor Plate | \$99.00 |
| 9-B/C | | |
| 9-E/F | | |

ACCESSORIES

| | | |
|-----------|--|----------|
| #1-B/F | Soffit Bracket | \$175.00 |
| #2-B/F | Corner Bracket | \$185.00 |
| #5-B/F | | |
| #6-B/F | | |
| #7-B/F | Offset Adjustable Bracket | \$269.00 |
| #8-B/F | Combination Bracket | \$185.00 |
| *1618 | Standard Soffit Plate, Non-Hold Open | \$31.30 |
| *2018 | Soffit Bracket (Mounting Between Doors) | \$44.10 |
| *2018B | Narrow Frame/Removable Stop Soffit Plate | |
| *2018D | Blade/Applied Stop Soffit Plate | |
| *2018S | Extra-Clearance Offset Soffit Plate | |
| *2019L | Flush Rabbeted Transom Angle Bracket | \$32.60 |
| ^2019S | Standard Spacer Block | \$10.20 |
| *2022 | Flush Transom Angle Bracket | \$44.10 |
| *2403B | Molded/Bull Nose Trim Bracket | |
| *2403-3/4 | | |
| 80 | | |
| **6190 | Unitrol® Soffit Plate Support Bracket | \$48.00 |
| 6191 | Unitrol® Wide Frame Reinforcing Kit | \$60.20 |
| 6890 | Narrow Frame Support Bracket | \$55.00 |
| 6891 | Clearance/Support Blade Stop | |

*No charge when ordered with closer.

**Furnished standard with all Parallel Arm Unitrols, no extra.

^ Furnished standard with NHO and HO heavy-duty arms (PRA, PRHA)

When ordering 6191 in place of 6190, no extra.

USA & Canada Prices Effective June 3, 2019

ASSA ABLOY

The global leader in
door opening solutions

Norton and Rixson are brands associated with ASSA ABLOY Access and Egress Hardware Group, Inc., an ASSA ABLOY Group company.
Copyright© 2002-2019, ASSA ABLOY Access and Egress Hardware Group, Inc. All rights reserved. Reproduction in whole or in part
without the express written permission of ASSA ABLOY Access and Egress Hardware Group, Inc. is prohibited.
Contact Norton: 877-974-2255 or visit www.nortondoорcontrols.com; Contact RIXSON: 800-457-5670 or visit www.rixson.com.
In Canada contact us at: 800-461-3007 or visit www.assaabloydss.ca



160 SERIES

| MODEL NO. | PRODUCT DESCRIPTION | APPROX. SHIPPING WEIGHT (lbs) | LIST PRICE 6 per case (689, 690) |
|-----------|--|-------------------------------|----------------------------------|
| 161BFxTPN | Tri-Packed (Regular, Parallel, Top Jamb Mounting), Adjustable size 1-4, Non-Hold Open | 6 | \$197.00 |
| 161BFxOP2 | Tri-Packed (Regular, Parallel, Top Jamb Mounting), Adjustable size 1-4, Non-Hold Open, Packed with Cover | | \$220.00 |
| 164xTPN | Tri-Packed (Regular, Parallel, Top Jamb Mounting), Size 4, Non-Hold Open | | \$184.00 |
| 161BFxTPH | Tri-Packed (Regular, Parallel, Top Jamb Mounting), Adjustable size 1-4, Hold Open | | \$243.00 |

ACCESSORIES

| | | |
|------|-------|---------|
| 160P | Cover | \$19.00 |
|------|-------|---------|



210 SERIES

Adjustable spring sizes 1-6

| MODEL NO. | PRODUCT DESCRIPTION | APPROX. SHIPPING WEIGHT (lbs) | LIST PRICE 4 per case (689, 690) |
|-----------|--|-------------------------------|----------------------------------|
| 210xTPN | Tri-Packed (Regular, Parallel, Top Jamb Mounting); Non-Hold Open | 6.5 | \$238.00 |
| 210xTPH | Tri-Packed (Regular, Parallel, Top Jamb Mounting); Hold Open | | \$321.00 |
| 210xHDN | Heavy-Duty, Non-Hold Open Arm with Removable Stop | 7.75 | \$341.00 |
| 210xHDH | Heavy-Duty, Hold Open Thumbturn Arm with Removable Stop | | \$370.00 |

ACCESSORIES

| | | |
|-------|----------------------|---------|
| 210P | Cover | \$28.00 |
| SP210 | Screw pack (TPN arm) | \$12.00 |



410 SERIES

Adjustable spring sizes 1-6

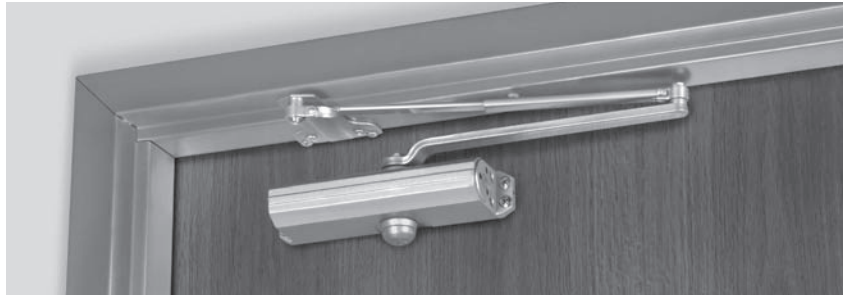
| MODEL NO. | PRODUCT DESCRIPTION | APPROX. SHIPPING WEIGHT (lbs) | LIST PRICE 3 per case (689, 690) |
|-----------|---|-------------------------------|----------------------------------|
| 410xTPN | Tri-Packed (Regular, Parallel, Top Jamb Mounting); Non-Hold Open | 12 | \$418.00 |
| 410xTPH | Tri-Packed (Regular, Parallel, Top Jamb Mounting); Hold Open | | \$449.00 |
| 410DAxTPN | Tri-Packed, Non-Hold Open, Delayed Action | | \$460.00 |
| 410xHDN | Heavy-Duty, Non-Hold Open Arm with Removable Stop | 14 | \$472.00 |
| 410xHDH | Heavy-Duty, Hold Open Arm with Removable Stop | | \$503.00 |
| 410xCPS | Heavy-Duty, Non-Hold Open Arm w/ Removable Stop and Spring Buffer | | \$595.00 |
| 410xCPST | Heavy-Duty, Hold Open Arm w/ Removable Stop and Spring Buffer | | \$626.00 |

BACKPLATES AND DROP PLATES

| | | |
|--------|---|---------|
| 410RDP | Narrow Frame Drop Plate (Regular Arm) | \$87.00 |
| 410PDP | Narrow Top Rail Drop Plate (Parallel Arm) | |

ACCESSORIES

| | | |
|--------|-------|---------|
| 410COV | Cover | \$29.00 |
|--------|-------|---------|



1600BC SERIES – Specify Size 3 or 4

(6 per case)

NON-HOLD OPEN

| MODEL NO. | PRODUCT DESCRIPTION | APPROX. SHIPPING WEIGHT (lbs) | LIST PRICE (689, 690, 691, 693, 694, 696, 613E, BSP, WSP) |
|-------------|--|-------------------------------|--|
| 1600BC | Regular, Parallel, Top Jamb to 3" Reveal | 8 | \$241.00 |
| J1600BC | Top Jamb Only, Reveals 2-3/4" to 7" | | |
| 1680BC | Regular Low Profile Arm | | |
| P1680BC | Parallel Low Profile Arm | 9 | \$264.00 |
| PR1600BC | Parallel Rigid Arm | | \$303.00 |
| CLP1600BC | CloserPlus® Arm | | \$453.00 |
| CPS1600BC | CloserPlus Spring™ Arm | 10 | \$479.00 |
| ^UNI1600BC | Unitrol® Door Control | | \$521.00 |
| *UNIJ1600BC | Top Jamb, Unitrol® Door Control | | \$303.00 |
| CA1600BC | Cushion Stop Arm | 8 | \$303.00 |

HOLD OPEN

| | | | |
|--------------|--|----|----------|
| 1600BCH | Regular, Parallel, Top Jamb to 3" Reveal | 8 | \$287.00 |
| J1600BCH | Top Jamb Only, Reveals 2-3/4" to 6-3/4" | | |
| PR1600BCH | Parallel Rigid Arm (Handed) | 9 | \$320.00 |
| CLP1600BCT | CloserPlus® Arm | | \$361.00 |
| CPS1600BCT | CloserPlus Spring™ Arm | | \$512.00 |
| ^UNI1600BCH | Unitrol® Door Control | 10 | \$560.00 |
| *UNIJ1600BCH | Top Jamb, Unitrol® Door Control | | \$614.00 |

*When Ordering Specify Reveal.

^When Ordering Specify Door Width.

Note: Sex Nuts furnished standard with PR, CLP, CPS and UNI arms.

OPTION

| | | |
|---|----------------------------------|-------------|
| P | Cover suffix "P" to model number | Add \$19.00 |
|---|----------------------------------|-------------|

Refer to page 12 for plating charges.

1601 SERIES – Adjustable Sizes 1 thru 6

(6 per case)

NON-HOLD OPEN

| MODEL NO. | PRODUCT DESCRIPTION | APPROX. SHIPPING WEIGHT (lbs) | LIST PRICE (689, 690, 691, 693, 694, 696, 613E, BSP, WSP) |
|-----------|--|-------------------------------|--|
| 1601 | Regular, Parallel, Top Jamb to 3" Reveal | 8 | \$241.00 |
| J1601 | Top Jamb Only, Reveals 2-3/4" to 7" | | |
| 1681 | Regular Low Profile Arm | | |
| P1681 | Parallel Low Profile Arm | | |
| PR1601 | Parallel Rigid Arm | 9 | \$264.00 |
| CLP1601 | CloserPlus® Arm | | \$303.00 |
| CPS1601 | CloserPlus Spring™ Arm | | \$453.00 |
| ^UNI1601 | Unitrol® Door Control | 10 | \$479.00 |
| *UNIJ1601 | Top Jamb, Unitrol® Door Control | | \$521.00 |
| CA1601 | Cushion Stop Arm | 8 | \$303.00 |

HOLD OPEN

| | | | |
|------------|--|----|----------|
| 1601H | Regular, Parallel, Top Jamb to 3" Reveal | 8 | \$287.00 |
| J1601H | Top Jamb Only, Reveals 2-3/4" to 6-3/4" | | |
| PR1601H | Parallel Rigid Arm (Handed) | 9 | \$320.00 |
| CLP1601T | CloserPlus® Arm | | \$361.00 |
| CPS1601T | CloserPlus Spring™ Arm | | \$512.00 |
| ^UNI1601H | Unitrol® Door Control | 10 | \$560.00 |
| *UNIJ1601H | Top Jamb, Unitrol® Door Control | | \$614.00 |

*When Ordering Specify Reveal.

^When Ordering Specify Door Width.

Note: Sex Nuts furnished standard with PR, CLP, CPS and UNI arms.

OPTIONS

| | | |
|---|---------------------------------|-------------|
| P | Cover suffix "P" to list number | Add \$19.00 |
|---|---------------------------------|-------------|

Refer to page 12 for plating charges.

USA & Canada Prices Effective June 3, 2019

ASSA ABLOY

The global leader in door opening solutions

Norton and Rixson are brands associated with ASSA ABLOY Access and Egress Hardware Group, Inc., an ASSA ABLOY Group company. Copyright© 2002-2019, ASSA ABLOY Access and Egress Hardware Group, Inc. All rights reserved. Reproduction in whole or in part without the express written permission of ASSA ABLOY Access and Egress Hardware Group, Inc. is prohibited. Contact Norton: 877-974-2255 or visit www.nortondoорcontrols.com; Contact RIXSON: 800-457-5670 or visit www.rixson.com. In Canada contact us at: 800-461-3007 or visit www.assaabloydss.ca

1600BCSS SERIES - Specify Size 3 or 4

(6 per case)

NON-HOLD OPEN

| MODEL NO. | PRODUCT DESCRIPTION | APPROX. SHIPPING WEIGHT (lbs) | LIST PRICE (689, 690, 691, 693, 694, 696, 613E, BSP, WSP) |
|-----------|-------------------------------------|-------------------------------|--|
| 1600BCSS | Regular, Top Jamb to 3" Reveal | 8 | \$609.00 |
| P1600BCSS | Parallel Arm | | |
| J1600BCSS | Top Jamb Only, Reveals 2-3/4" to 7" | | |

1601SS SERIES - Adjustable Sizes 1 thru 6

(6 per case)

NON-HOLD OPEN

| | | | |
|---------|-------------------------------------|---|----------|
| 1601SS | Regular, Top Jamb to 3" Reveal | 8 | \$609.00 |
| P1601SS | Parallel Arm | | |
| J1601SS | Top Jamb Only, Reveals 2-3/4" to 7" | | |

Stainless Steel Closers not discounted beyond 50%. Excluded from Buying Program.

1601SS OPTIONS ONLY

| | | |
|---|--|-------------|
| P | Cover suffix "P" to model number (Stainless Steel cover not available) | Add \$19.00 |
|---|--|-------------|

Norton
1600 Series

BACKPLATES AND DROP PLATES

| MODEL NO. | PRODUCT DESCRIPTION | LIST PRICE |
|-----------|--|--|
| | | (689, 690, 691, 693, 694, 696, 613E, BSP, WSP) |
| 1687 | Low Ceiling Clearance Drop Plate | \$42.00 |
| 1688 | Overhead Holder or Narrow Top Jamb Drop Plate | |
| 1688C | Parallel Arm Drop Plate (used when optional cover is supplied) | |
| 1699 | Retrofit Adaptor Plate | \$51.00 |
| 2017 | | \$33.90 |

ACCESSORIES*

| | | |
|-----------|---|----------|
| *1618A | Standard Soffit Plate, Non-Hold Open | \$26.60 |
| 1618A-SS | Stainless Steel Soffit Plate | \$65.40 |
| *1628H | Standard Soffit Plate, Hold Open | \$26.60 |
| 1647 | Corner Bracket | \$128.00 |
| *2018 | Soffit Bracket (Mounting Between Doors) | \$44.10 |
| *2018B | Narrow Frame/Removable Stop Soffit Plate | |
| *2018D | Blade/Applied Stop Soffit Plate | |
| *2018S | Extra Clearance Offset Soffit Plate | |
| *2019L | Flush Rabbeted Transom Angle Bracket | \$32.60 |
| 2022 | Flush Transom Angle Bracket | \$44.10 |
| ^2019S | Standard Spacer Block | \$10.20 |
| 2019S-7/8 | Spacer Block for use w/ 5/8" Stop and 1/4" Weatherstrip (PR, CLP, CPS only) | \$22.10 |
| 2019S-25 | Spacer Block for Wide Soffit and 1/4" Weatherstrip (PR, CLP, CPS only) | \$33.50 |
| *2403B | Molded/Bull Nose Trim Bracket | \$44.10 |
| *2403-3/4 | | |
| 80 | | |
| **6190 | Unitrol® Soffit Plate Support Bracket | \$48.00 |
| 6191 | Unitrol® Wide Frame Reinforcing Kit | \$60.20 |
| 6191B-25 | Unitrol® Wide Frame Reinforcing for Wide Soffit and 1/4" Weatherstrip | \$106.40 |
| 6890 | Narrow Frame Support Bracket | \$55.00 |
| 6891 | Clearance/Support Blade Stop | |
| 1600P | Plastic Cover | \$42.00 |
| 1639 | Pinion Cap | \$5.30 |

* No charge when ordered with closer.

** Furnished regularly with all Parallel Arm Unitrols, no extra.

^ Furnished standard with NHO and HO heavy-duty arms (PR, CLP, CPS).

When ordering 6191 in place of 6190, no extra.

USA & Canada Prices Effective June 3, 2019

ASSA ABLOY

The global leader in
door opening solutions

Norton and Rixson are brands associated with ASSA ABLOY Access and Egress Hardware Group, Inc., an ASSA ABLOY Group company. Copyright© 2002-2019, ASSA ABLOY Access and Egress Hardware Group, Inc. All rights reserved. Reproduction in whole or in part without the express written permission of ASSA ABLOY Access and Egress Hardware Group, Inc. is prohibited. Contact Norton: 877-974-2255 or visit www.nortondoорcontrols.com; Contact RIXSON: 800-457-5670 or visit www.rixson.com. In Canada contact us at: 800-461-3007 or visit www.assaabloydss.ca



1700 SERIES

(10 per case)

| MODEL NO. | PRODUCT DESCRIPTION | APPROX. SHIP WT. (lbs) | LIST PRICE (689, 690) |
|-----------|--|------------------------|--------------------------|
| 1700 | Regular, Parallel, Top Jamb, Non-Hold Open | 3-1/2 | \$238.00 |
| 1700H | Regular, Parallel, Top Jamb, Hold Open | 4 | \$272.00 |

DROP PLATES

| | | | |
|------------------------|-------------|--|---------|
| N1756, N1757, N1758 | Drop Plates | | \$77.00 |
|------------------------|-------------|--|---------|



2800ST CAM ACTION

| MODEL NO. | PRODUCT DESCRIPTION | APPROX. SHIP WT. (lbs) | LIST PRICE (689, 690, 691, 693, 694, 696) |
|-----------|--------------------------|------------------------|---|
| 2800ST | Pull Side, Non-Hold Open | 8 | \$580.00 |
| 2800STH | Pull Side, Hold Open | | \$607.00 |
| PS2800ST | Push Side, Non-Hold Open | | \$580.00 |
| PS2800STH | Push Side, Hold Open | | \$607.00 |

DROP PLATE AND RETROFIT PLATE

| | | | |
|------|-----------------------|--|---------|
| 2888 | Push Side, Drop Plate | | \$49.00 |
|------|-----------------------|--|---------|



7500 SERIES - Adjustable Sizes 1 thru 6

(4 per case)

NON-HOLD OPEN

| MODEL NO. | PRODUCT DESCRIPTION | APPROX. SHIPPING WEIGHT (lbs) | LIST PRICE (689, 690, 691, 693, 694, 696, 613E, BSP, WSP) | |
|-----------|--|-------------------------------|--|----------|
| 7500 | Regular, Parallel or Top Jamb to 3" Reveal | 13 | \$520.00 | |
| S7500 | Regular Arm Application Only | | | |
| JS7500 | Top Jamb Application Only; 3" Maximum Reveal | | | |
| P7500 | Parallel Arm Application Only | | | |
| J7500 | Top Jamb Only, Reveals 2-3/4" to 7" (to 150°), 7786 Backplate Included | | | |
| JL7500 | Top Jamb Only, Reveals 2-3/4" to 7" (to 180°), 7786 Backplate Included | | | |
| J7530 | Top Jamb Only, Reveals 0-3", 7786 Backplate Included | | | |
| 7580 | Regular Low Profile Arm | | | |
| P7580 | Parallel Low Profile Arm | | | |
| 7500ST | Pull Side Slide Track | | | \$582.00 |
| 7540ST | Pull Side, Low Profile Slide Track | | | |
| PS7500ST | Push Side Slide Track | | | |
| PS7540ST | Push Side, Low Profile Slide Track | | | |
| PR7500 | Parallel Rigid Arm | 14 | \$543.00 | |
| CLP7500 | CloserPlus® Arm | | \$582.00 | |
| CPS7500 | CloserPlus Spring™ Arm | | \$732.00 | |
| ^UNI7500 | Unitrol® Door Control | 15 | \$758.00 | |
| *UNIJ7500 | Top Jamb, Unitrol® Door Control | | \$800.00 | |

*When Ordering Specify Reveal.

^When Ordering Specify Door Width.

Note: Sex Nuts furnished standard with PR, CLP, CPS and UNI arms.

Refer to page 12 for plating charges.

USA & Canada Prices Effective June 3, 2019

ASSA ABLOY

The global leader in door opening solutions

Norton and Rixson are brands associated with ASSA ABLOY Access and Egress Hardware Group, Inc., an ASSA ABLOY Group company. Copyright© 2002-2019, ASSA ABLOY Access and Egress Hardware Group, Inc. All rights reserved. Reproduction in whole or in part without the express written permission of ASSA ABLOY Access and Egress Hardware Group, Inc. is prohibited. Contact Norton: 877-974-2255 or visit www.nortondoорcontrols.com; Contact RIXSON: 800-457-5670 or visit www.rixson.com. In Canada contact us at: 800-461-3007 or visit www.assaabloydss.ca

7500 SERIES - Adjustable Sizes 1 thru 6

(4 per case)

HOLD OPEN

| MODEL NO. | PRODUCT DESCRIPTION | APPROX. SHIPPING WEIGHT (lbs) | LIST PRICE (689, 690, 691, 693, 694, 696, 613E, BSP, WSP) |
|-----------|---|-------------------------------|--|
| 7500H | Regular, Parallel or Top Jamb to 3" Reveal | 13 | \$566.00 |
| J7500H | Top Jamb Only, Reveals 2-3/4" to 6-3/4" (to 150°) | | |
| JL7500H | Top Jamb Only, Reveals 2-3/4" to 6-3/4" (to 180°) | | |
| 7500STH | Pull Side Slide Track | 13 | \$623.00 |
| 7540STH | Pull Side, Low Profile Slide Track | | |
| PS7500STH | Push Side Slide Track | | |
| PS7540STH | Push Side, Low Profile Slide Track | | |
| PR7500H | Parallel Rigid Arm (Handed) | 14 | \$599.00 |
| CLP7500R | CloserPlus Ramp™ Arm | | \$640.00 |
| CLP7500T | CloserPlus® Arm | | \$791.00 |
| CPS7500T | CloserPlus Spring™ Arm | 15 | \$839.00 |
| ^UNI7500H | Unitrol® Door Control | | \$893.00 |
| *UNI7500H | Top Jamb, Unitrol® Door Control | | \$893.00 |

*When Ordering Specify Reveal.

Refer to page 12 for plating charges.

^When Ordering Specify Door Width.

Note: Sex Nuts furnished standard with PR, CLP, CPS and UNI arms.

7500SS SERIES (Non-Hold Open Only)

(4 per case)

| MODEL NO. | PRODUCT DESCRIPTION | APPROX. SHIPPING WEIGHT (lbs) | LIST PRICE (689, 690, 691, 693, 694, 696, 613E, BSP, WSP) |
|-----------|--------------------------------------|-------------------------------|--|
| 7500SS | Regular Arm or Top Jamb to 3" Reveal | 14 | \$1,088.00 |
| P7500SS | Parallel Arm | | |
| J7500SS | Top Jamb, Reveals 2-3/4" to 7" | | |

Stainless Steel Closers not discounted beyond 50%. Excluded from Buying Program.

OPTIONS

| | | |
|-----|---|--------------|
| DA | Delayed Action suffix "DA" to model number | Add \$44.00 |
| PRO | Offset Soffit Plate prefix "PRO" to model number (N/A in Stainless Steel) | Add \$27.00 |
| EBC | Enhanced Backcheck suffix "EBC" to model number | Add \$35.00 |
| M | Metal Cover suffix "M" to model number (N/A in Stainless Steel) | Add \$5.00 |
| G | ABS Plastic Cover suffix "G" to model number | |
| MLL | Lead Lined Metal Cover | Add \$179.00 |
| DE | Double Egress suffix "DE" to Slide Track model number (handed) hinge side only. (N/A in Stainless Steel) | Add \$80.00 |
| R | Regular rigid heavy-duty arm prefix "R" to model number. Torx® screws not included (N/A in Stainless Steel) - See page 54 for Torx® screw packages. | Add \$45.00 |

ASSA ABLOY

The global leader in
door opening solutions

USA & Canada Prices Effective June 3, 2019

Norton and Rixson are brands associated with ASSA ABLOY Access and Egress Hardware Group, Inc., an ASSA ABLOY Group company. Copyright© 2002-2019, ASSA ABLOY Access and Egress Hardware Group, Inc. All rights reserved. Reproduction in whole or in part without the express written permission of ASSA ABLOY Access and Egress Hardware Group, Inc. is prohibited. Contact Norton: 877-974-2255 or visit www.nortondoорcontrols.com; Contact RIXSON: 800-457-5670 or visit www.rixson.com. In Canada contact us at: 800-461-3007 or visit www.assaabloydss.ca

ACCESSORIES

| MODEL NO. | PRODUCT DESCRIPTION | LIST PRICE |
|-----------|---|--|
| | | (689, 690, 691, 693, 694, 696, 613E, BSP, WSP) |
| *1618 | Standard Soffit Plate, Non-Hold Open | \$31.30 |
| 1618A-SS | Stainless Steel Soffit Plate | \$65.40 |
| *1628H | Standard Soffit Plate, Hold Open | \$26.60 |
| *2018 | Soffit Bracket (Mounting Between Doors) | \$44.10 |
| *2018B | Narrow Frame/Removable Stop Soffit Plate | |
| *2018D | Blade/Applied Stop Soffit Plate | |
| *2018S | Extra-Clearance Offset Soffit Plate | |
| ~*2019L | Flush Rabbeted Transom Angle Bracket | \$32.60 |
| ~^2019S | Standard Spacer Block | \$10.20 |
| 2019S-7/8 | Spacer Block for use w/ 5/8" Stop and 1/4" Weatherstrip (PR, CLP, CPS only) | \$22.10 |
| 2019S-25 | Spacer Block for Wide Soffit and 1/4" Weatherstrip (PR, CLP, CPS only) | \$33.50 |
| *2022 | Flush Transom Angle Bracket | \$44.10 |
| *2403B | Molded/Bull Nose Trim Bracket | |
| *2403-3/4 | | |
| 80 | | |
| **6190 | Unitrol® Soffit Plate Support Bracket | \$48.00 |
| 6191 | Unitrol® Wide Frame Reinforcing Kit | \$60.20 |
| 6191B-25 | Unitrol® Wide Frame Reinforcing for Wide Soffit and 1/4" Weatherstrip | \$106.40 |
| ~6890 | Narrow Frame Support Bracket | \$55.00 |
| ~6891 | Clearance/Support Blade Stop | |

* No charge when ordered with closer.

** Furnished regularly with all Parallel Arm Unitrols, no extra.

^ Furnished standard with NHO and HO heavy-duty arms (PR, CLP, CPS).

When ordering 6191 in place of 6190, no extra.

When ordering 6191 in place of 6190, no extra.

~Also available with 7570 Security Closers.

Refer to page 12 for plating charges.

COVERS

| | | |
|--------|--|----------|
| 7700P | 7500 Series Plastic Covers - Painted | \$38.00 |
| 7700PG | 7500 Series ABS Plastic Covers - Painted | \$43.00 |
| 7700M | 7500 Series Metal Covers - Painted | |
| J7700M | J7500 Series Metal Covers - Painted (Handed) | \$261.00 |
| 7700M | 7500 Series Metal Covers - Plated | |
| J7700M | J7500 Series Metal Covers - Plated (Handed) | |

USA & Canada Prices Effective June 3, 2019

ASSA ABLOY

The global leader in door opening solutions

Norton and Rixson are brands associated with ASSA ABLOY Access and Egress Hardware Group, Inc., an ASSA ABLOY Group company. Copyright© 2002-2019, ASSA ABLOY Access and Egress Hardware Group, Inc. All rights reserved. Reproduction in whole or in part without the express written permission of ASSA ABLOY Access and Egress Hardware Group, Inc. is prohibited. Contact Norton: 877-974-2255 or visit www.nortondoorcontrols.com; Contact RIXSON: 800-457-5670 or visit www.rixson.com. In Canada contact us at: 800-461-3007 or visit www.assaabloydss.ca

BACKPLATES AND DROP PLATES

| MODEL NO. | PRODUCT DESCRIPTION | LIST PRICE |
|-----------|---------------------------------------|--|
| | | (689, 690, 691, 693, 694, 696, 613E, BSP, WSP) |
| 7786 | Narrow Frame Drop Plate | \$89.00 |
| 7786OH | Overhead Door Holder Drop Plate | |
| 7786JP | Slide Track Backplate | |
| 7787 | Low Ceiling Clearance Drop Plate | |
| 7788 | Narrow Top Rail Drop Plate | |
| 7789 | Adapter Plate | |
| 7790 | Adaptor Plate for Converting 7404-5-6 | |
| 7797 | Extra Drop Mounting Bracket | \$227.00 |
| 7798 | Standard Drop Corner Bracket | |

RETROFIT PLATES

| | | |
|------------|------------------------|---------|
| RP75-4040 | Replaces LCN 4040 | \$83.00 |
| RP75-4010 | Replaces LCN 4010 | |
| RP75-M2020 | Replaces Rixson® M2020 | |

SPECIAL APPLICATION CLOSERS

| MODEL NO. | PRODUCT DESCRIPTION | APPROX. SHIPPING WT. | LIST PRICE |
|-----------|--|----------------------|--|
| | | | (689, 690, 691, 693, 694, 696, 613E, BSP, WSP) |
| 7706STP | Slider Arm Pocket Door | 13 | \$678.00 |
| 7706EPSTP | | | |
| 7706DLP | Double Lever Pocket Door (Up to 36" Door) | | |
| 7706EPDLP | Double Lever Pocket Door (37" to 48" Door) | | |

7570 SERIES WITH SECURITY ARM, SECURITY COVER AND TORX® SCREWS
 – Adjustable Sizes 1 thru 6 – Specify Hand

(2 per case)

| MODEL NO. | PRODUCT DESCRIPTION | APPROX. SHIPPING WEIGHT (lbs) | LIST PRICE (689, 690, 691, 693, 694, 696, 613E, BSP, WSP) |
|-----------|---|-------------------------------|--|
| 7570 | Regular Rigid Arm | 11 | \$708.00 |
| PR7570 | Parallel Rigid Arm | 12 | \$731.00 |
| CLP7570 | CloserPlus® Arm | | \$770.00 |
| CPS7570 | CloserPlus Spring™ Arm | | \$920.00 |
| CLP7570T | CloserPlus® Arm w/ Thumbturn Hold Open | | \$828.00 |
| CPS7570T | CloserPlus Spring™ Arm w/ Thumbturn Hold Open | 13 | \$979.00 |
| UNI7570 | Unitrol® Arm | | \$946.00 |
| 7570ST | Pull Side Slide Track | 12 | \$770.00 |
| PS7570ST | Push Side Slide Track | | |

OPTIONS

| | | |
|-----|---|-------------|
| DA | Delayed Action suffix “DA” to model number | Add \$44.00 |
| EBC | Enhanced Backcheck suffix “EBC” to model number | Add \$35.00 |

SECURITY COVERS

| | | |
|---------|--------------------------|----------|
| 7770MRR | Regular Arm, Right Hand | \$150.00 |
| 7770MRL | Regular Arm, Left Hand | |
| 7770MPR | Parallel Arm, Right Hand | |
| 7770MPL | Parallel Arm, Left Hand | |

DROP PLATES

| | | |
|------|-----------------|---------|
| 7786 | Narrow Frame | \$89.00 |
| 7788 | Narrow Top Rail | |

Security Closers are 50% off list only unless special factory quotation applies.

Security Closers are excluded from buying programs.

NOTE: Refer to page 24 for Accessories.

SIZED AND MULTI-SIZED UNITS AVAILABLE

7900 SERIES - Specify Hand (includes Dress Plate)

(4 per case)

NON-HOLD OPEN

| MODEL NO. | PRODUCT DESCRIPTION | APPROX. SHIPPING WEIGHT (lbs) | LIST PRICE (689, 690, 691, 693, 694, 696, BSP, WSP) |
|-----------|------------------------|-------------------------------|--|
| 7900 | Multi-sized spring 1-6 | 12 | \$780.00 |
| 7904 | Size 4 spring | | |
| 7905 | Size 5 spring | | |
| 7906 | Size 6 spring | | |

HOLD OPEN

| | | | |
|-------|------------------------|----|----------|
| 7900H | Multi-sized spring 1-6 | 12 | \$821.00 |
| 7904H | Size 4 spring | | |
| 7905H | Size 5 spring | | |
| 7906H | Size 6 spring | | |

7970 SERIES - Specify Hand (includes Security Plate and Torx® Screws)

(4 per case)

NON-HOLD OPEN

| MODEL NO. | PRODUCT DESCRIPTION | APPROX. SHIPPING WEIGHT (lbs) | LIST PRICE (689, 690, 691, 693, 694, 696, BSP, WSP) |
|-----------|--|-------------------------------|--|
| 7970 | Multi-sized spring 1-6 | 12 | \$952.00 |
| 7974 | Size 4 spring | | |
| 7975 | Size 5 spring | | |
| 7976 | Size 6 spring | | |
| 7970DPS | Door Position Switch, multi-sized spring 1-6 | | \$1,066.00 |
| 7974DPS | Door Position Switch, size 4 spring | | |
| 7975DPS | Door Position Switch, size 5 spring | | |
| 7976DPS | Door Position Switch, size 6 spring | | |

Security Closers (7970 Series) are 50% off list only unless special factory quotation applies.
Security Closers are excluded from buying programs.

OPTIONS

| | | |
|-----|--|-------------|
| DA | Delayed Action suffix "DA" to model number | Add \$44.00 |
| EBC | Enhanced BackCheck suffix "EBC" to model number | Add \$35.00 |
| FB | Fire Block suffix FB to model number (available on 7900, 7970 and 7970DPS) | Add \$84.00 |

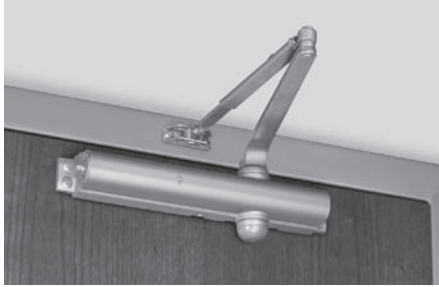
Note: Butts and Pivots not furnished. Specify "B", "CP", or "OP" when requesting templates.
Refer to page 12 for plating charges.

ASSA ABLOY

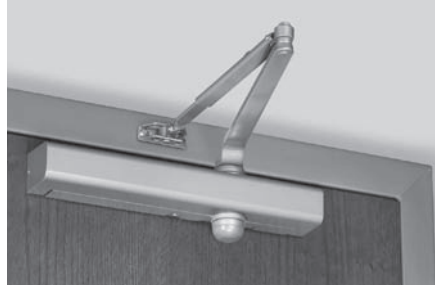
The global leader in
door opening solutions

USA & Canada Prices Effective June 3, 2019

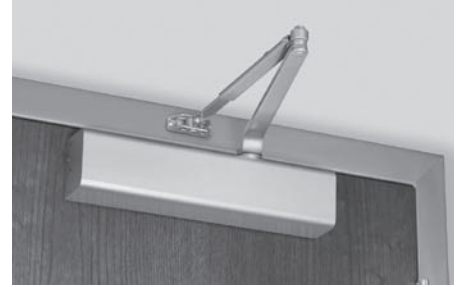
Norton and Rixson are brands associated with ASSA ABLOY Access and Egress Hardware Group, Inc., an ASSA ABLOY Group company.
Copyright© 2002-2019, ASSA ABLOY Access and Egress Hardware Group, Inc. All rights reserved. Reproduction in whole or in part without the express written permission of ASSA ABLOY Access and Egress Hardware Group, Inc. is prohibited.
Contact Norton: 877-974-2255 or visit www.nortondoortcontrols.com; Contact RIXSON: 800-457-5670 or visit www.rixson.com.
In Canada contact us at: 800-461-3007 or visit www.assaabloydss.ca



8101



8301



8501

8101 SERIES WITHOUT COVER – Adjustable Size 1 thru 6

(4 per case)

NON-HOLD OPEN

| MODEL NO. | PRODUCT DESCRIPTION | APPROX. SHIPPING WEIGHT (lbs) | LIST PRICE (689, 690, 691, 693, 694, 696, 613E, BSP, WSP) |
|-----------|--|-------------------------------|--|
| 8101 | Regular, Parallel, Top Jamb to 3" Reveal | 8 | \$350.00 |
| S8101 | Regular Arm Application Only | | |
| JS8101 | Top Jamb Application Only; 3" Maximum Reveal | | |
| P8101 | Parallel Arm Application Only | | |
| J8101 | Top Jamb, Reveals 2-3/4" to 7" (to 150°) | 9 | \$373.00 |
| PR8101 | Parallel Rigid Arm | | |
| 8181 | Regular Low Profile Arm | 8 | \$350.00 |
| P8181 | Parallel Low Profile Arm | | |

HOLD OPEN

| | | | |
|---------|--|---|----------|
| 8101H | Regular, Parallel, Top Jamb to 3" Reveal | 8 | \$396.00 |
| J8101H | Top Jamb, Reveals 2-3/4" to 6-3/4" (to 150°) | | |
| PR8101H | Parallel Rigid Arm (Handed) | 9 | \$429.00 |

OPTIONS

| | | |
|-----|---|-------------|
| DA | Delayed Action suffix "DA" to model number | Add \$44.00 |
| PRO | Offset Soffit Plate prefix "PRO" to model number | Add \$27.00 |
| R | Regular rigid heavy-duty arm prefix "R" to model number. Torx® screws not included. See page 54 for Torx® screw packages. | Add \$45.00 |

USA & Canada Prices Effective June 3, 2019

8301 SERIES WITH SLIM LINE COVER – Adjustable Size 1 thru 6

(4 per case)

NON-HOLD OPEN

| MODEL NO. | PRODUCT DESCRIPTION | APPROX. SHIPPING WEIGHT (lbs) | LIST PRICE (689, 690, 691, 693, 694, 696, 613E, BSP, WSP) |
|-----------|--|-------------------------------|--|
| 8301 | Regular, Parallel or Top Jamb to 3" Reveal | 8 | \$368.00 |
| S8301 | Regular Arm Application Only | | |
| JS8301 | Top Jamb Application Only; 3" Maximum Reveal | | |
| P8301 | Parallel Arm Application Only | | |
| J8301 | Top Jamb, Reveals 2-3/4" to 7" | | |
| 8381 | Regular Low Profile Arm | | |
| P8381 | Parallel Low Profile Arm | | \$430.00 |
| 8301ST | Pull Side Slide Track | | |
| 8341ST | Pull Side, Low Profile Slide Track | | |
| J8301ST | Top Jamb, Pull Side Slide Track | | |
| PS8301ST | Push Side Slide Track | | |
| PS8341ST | Push Side, Low Profile Slide Track | | |
| PR8301 | Parallel Rigid Arm | 9 | \$391.00 |
| CLP8301 | CloserPlus® Arm | | \$430.00 |
| CPS8301 | CloserPlus Spring™ Arm | | \$580.00 |
| ^UNI8301 | Unitrol® Door Control | 10 | \$606.00 |
| *UNIJ8301 | Top Jamb, Unitrol® Door Control | | \$648.00 |

*When Ordering Specify Reveal.

^When Ordering Specify Door Width.

J8301ST - 8146 Drop Plate included.

Note: Sex Nuts furnished standard with PR, CLP, CPS and UNI arms.

OPTIONS

| | | |
|-----|--|-------------|
| DA | Delayed Action suffix "DA" to model number | Add \$44.00 |
| PRO | Offset Soffit Plate prefix "PRO" to model number | Add \$27.00 |
| DE | Double Egress suffix "DE" to Slide Track model number (handed) (hinge side only) | Add \$80.00 |
| R | Regular rigid heavy-duty arm prefix "R" to model number. Torx® screws not included. See page 54 for Torx® screw packages. | Add \$45.00 |

8301 SERIES WITH SLIM LINE COVER – Adjustable Size 1 thru 6

(4 per case)

HOLD OPEN

| MODEL NO. | PRODUCT DESCRIPTION | APPROX. SHIPPING WEIGHT (lbs) | LIST PRICE (689, 690, 691, 693, 694, 696, 613E, BSP, WSP) |
|------------|--|-------------------------------|---|
| 8301H | Regular, Parallel or Top Jamb to 2-3/4" Reveal | 8 | \$414.00 |
| J8301H | Top Jamb, Reveals 2-3/4" to 6-3/4" | | |
| 8301STH | Pull Side Slide Track | | \$471.00 |
| 8341STH | Pull Side, Low Profile Slide Track | | |
| J8301STH | Top Jamb, Pull Side Slide Track | | |
| PS8301STH | Push Side Slide Track | | |
| PS8341STH | Push Side, Low Profile Slide Track | | |
| PR8301H | Parallel Rigid Arm (Handed) | 9 | \$447.00 |
| CLP8301R | CloserPlus Ramp™ Arm | | \$488.00 |
| CLP8301T | CloserPlus® Arm | | \$639.00 |
| CPS8301T | CloserPlus Spring™ Arm | | \$687.00 |
| ^UNI8301H | Unitrol® Door Control | 10 | \$687.00 |
| *UNIJ8301H | Top Jamb, Unitrol® Door Control | | \$741.00 |

*When Ordering Specify Reveal.

^When Ordering Specify Door Width.

J8301H - 8146 Drop Plate included.

Note: Sex Nuts furnished standard with PR, CLP, CPS and UNI arms.

OPTIONS

| | | |
|-----|--|-------------|
| DA | Delayed Action suffix "DA" to model number | Add \$44.00 |
| PRO | Offset Soffit Plate prefix "PRO" to model number | Add \$27.00 |
| DE | Double Egress suffix "DE" to Slide Track model number (handed) (hinge side only) | Add \$80.00 |
| R | Regular rigid heavy-duty arm prefix "R" to model number. Torx® screws not included. See page 54 for Torx® screw packages. | Add \$45.00 |

USA & Canada Prices Effective June 3, 2019

ASSA ABLOY

The global leader in
door opening solutions

Norton and Rixson are brands associated with ASSA ABLOY Access and Egress Hardware Group, Inc., an ASSA ABLOY Group company.
Copyright© 2002-2019, ASSA ABLOY Access and Egress Hardware Group, Inc. All rights reserved. Reproduction in whole or in part
without the express written permission of ASSA ABLOY Access and Egress Hardware Group, Inc. is prohibited.
Contact Norton: 877-974-2255 or visit www.nortondoortcontrols.com; Contact RIXSON: 800-457-5670 or visit www.rixson.com.
In Canada contact us at: 800-461-3007 or visit www.assaabloydss.ca

8501 SERIES WITH FULL COVER – Adjustable Size 1 thru 6

(4 per case)

NON-HOLD OPEN

| MODEL NO. | PRODUCT DESCRIPTION | APPROX. SHIPPING WEIGHT (lbs) | LIST PRICE (689, 690, 691, 693, 694, 696, 613E, BSP, WSP) | | |
|-----------|--|-------------------------------|--|----------|---|
| 8501 | Regular, Parallel or Top Jamb to 3" Reveal | 8 | \$381.00 | | |
| S8501 | Regular Arm Application Only | | | | |
| JS8501 | Top Jamb Application Only; 3" Maximum Reveal | | | | |
| P8501 | Parallel Arm Application Only | | | | |
| J8501 | Top Jamb, Reveals 2-3/4" to 7" | | | | |
| 8581 | Regular Low Profile Arm | | | | |
| P8581 | Parallel Low Profile Arm | | | | |
| 8501ST | Pull Side Slide Track | | | \$443.00 | |
| 8541ST | Pull Side, Low Profile Slide Track | | | | |
| J8501ST | Top Jamb, Pull Side Slide Track | | | | |
| PS8501ST | Push Side Slide Track | | | | |
| PS8541ST | Push Side, Low Profile Slide Track | | | | |
| PR8501 | Parallel Rigid Arm | | | | 9 |
| CLP8501 | CloserPlus® Arm | | | \$443.00 | |
| CPS8501 | CloserPlus Spring™ Arm | \$593.00 | | | |
| ^UNI8501 | Unitrol® Door Control | 10 | \$619.00 | | |
| *UNIJ8501 | Top Jamb, Unitrol® Door Control | | \$661.00 | | |

*When Ordering Specify Reveal.

^When Ordering Specify Door Width.

J8501ST - 8146 Drop Plate included.

Note: Sex Nuts furnished standard with PR, CLP, CPS and UNI arms.

Refer to page 12 for plating charges.

OPTIONS

| | | |
|-----|--|--------------|
| DA | Delayed Action suffix "DA" to model number | Add \$44.00 |
| PRO | Offset Soffit Plate prefix "PRO" to model number | Add \$27.00 |
| A | Plastic Architectural Cover suffix "A" to model number (painted only) | Add \$0.00 |
| G | Plastic ABS cover suffix "G" to model number (painted only) | Add \$5.00 |
| AG | Plastic Architectural ABS Cover suffix "AG" to model number (painted only) | |
| M | Metal Cover suffix "M" to model number | Add \$8.00 |
| MA | Metal Architectural Cover suffix "MA" to model number (painted finishes) | |
| MLL | Lead Lined Metal Cover | Add \$179.00 |
| DE | Double Egress prefix "DE" to model number (handed) | Add \$80.00 |
| R | Regular rigid heavy-duty arm prefix "R" to model number. Torx® screws not included. See page 54 for Torx® screw packages. | Add \$45.00 |

8501 SERIES WITH FULL COVER – Adjustable Size 1 thru 6

(4 per case)

HOLD OPEN

| MODEL NO. | PRODUCT DESCRIPTION | APPROX. SHIPPING WEIGHT (lbs) | LIST PRICE (689, 690, 691, 693, 694, 696, 613E, BSP, WSP) |
|------------|--|-------------------------------|---|
| 8501H | Regular, Parallel or Top Jamb to 2-3/4" Reveal | 8 | \$427.00 |
| J8501H | Top Jamb, Reveals 2-3/4" to 6-3/4" | | |
| 8501STH | Pull Side Slide Track | | \$484.00 |
| 8541STH | Pull Side, Low Profile Slide Track | | |
| J8501STH | Top Jamb, Pull Side Slide Track | | |
| PS8501STH | Push Side Slide Track | | |
| PS8541STH | Push Side, Low Profile Slide Track | | |
| PR8501H | Parallel Rigid Arm (Handed) | 9 | \$460.00 |
| CLP8501R | CloserPlus Ramp™ Arm | | \$501.00 |
| CLP8501T | CloserPlus® Arm | | \$652.00 |
| CPS8501T | CloserPlus Spring™ Arm | | \$700.00 |
| ^UNI8501H | Unitrol® Door Control | 10 | \$700.00 |
| *UNIJ8501H | Top Jamb, Unitrol® Door Control | | \$754.00 |

*When Ordering Specify Reveal.

^When Ordering Specify Door Width.

J8501STH - 8146 Drop Plate included.

Note: Sex Nuts furnished standard with PR, CLP, CPS and UNI arms.

Refer to page 12 for plating charges.

OPTIONS

| | | |
|-----|--|--------------|
| DA | Delayed Action suffix "DA" to model number | Add \$44.00 |
| PRO | Offset Soffit Plate prefix "PRO" to model number | Add \$27.00 |
| A | Plastic Architectural Cover suffix "A" to model number (painted only) | Add \$0.00 |
| G | Plastic ABS cover suffix "G" to model number (painted only) | Add \$5.00 |
| AG | Plastic Architectural ABS Cover suffix "AG" to model number (painted only) | |
| M | Metal Cover suffix "M" to model number | Add \$8.00 |
| MA | Metal Architectural Cover suffix "MA" to model number (painted finishes) | |
| MLL | Lead Lined Metal Cover | Add \$179.00 |
| DE | Double Egress prefix "DE" to model number (handed) | Add \$80.00 |
| R | Regular rigid heavy-duty arm prefix "R" to model number. Torx® screws not included. See page 54 for Torx® screw packages. | Add \$45.00 |

USA & Canada Prices Effective June 3, 2019

ASSA ABLOY

The global leader in
door opening solutions

Norton and Rixson are brands associated with ASSA ABLOY Access and Egress Hardware Group, Inc., an ASSA ABLOY Group company.
Copyright© 2002-2019, ASSA ABLOY Access and Egress Hardware Group, Inc. All rights reserved. Reproduction in whole or in part
without the express written permission of ASSA ABLOY Access and Egress Hardware Group, Inc. is prohibited.
Contact Norton: 877-974-2255 or visit www.nortondoорcontrols.com; Contact RIXSON: 800-457-5670 or visit www.rixson.com.
In Canada contact us at: 800-461-3007 or visit www.assaabloydss.ca

BACKPLATES AND DROP PLATES

| MODEL NO. | PRODUCT DESCRIPTION | LIST PRICE |
|-----------|---|--|
| | | (689, 690, 691, 693, 694, 696, 613E, BSP, WSP) |
| 8146 | Narrow Top Rail/Concealed Door Holder Drop Plate | \$50.00 |
| 8148 | Low Ceiling Clearance Drop Plate | |
| 8158 | Exposed-Back/Narrow Top Rail Drop Plate | |
| 8445 | Molded Full Cover Decorative Backplate | |
| 8446 | Exposed-Back Drop Plate Kit | \$100.00 |
| 8545 | Exposed-Back Backplate | \$50.00 |
| 8545A | | \$61.00 |
| 8546 | Concealed Door Holder Drop Plate | \$50.00 |
| 8546A | | \$97.00 |
| 8547 | Low Ceiling Clearance/Overhead Door Holder Drop Plate | \$61.00 |
| 8547A | | |
| 8548 | Exposed-Back/Narrow Top Rail Drop Plate | \$100.00 |
| 8548A | | |
| 8549 | | |
| 8549A | | \$111.00 |

Refer to page 12 for plating charges.

ACCESSORIES

| MODEL NO. | PRODUCT DESCRIPTION | LIST PRICE |
|-----------|---|--|
| | | (689, 690, 691, 693, 694, 696, 613E, BSP, WSP) |
| *1618A | Standard Soffit Plate, Non-Hold Open | \$26.60 |
| *1628H | Standard Soffit Plate, Hold Open | |
| *2018 | Soffit Bracket (Mounting Between Doors) | \$44.10 |
| *2018B | Narrow Frame/Removable Stop Soffit Plate | |
| *2018D | Blade/Applied Stop Soffit Plate | |
| *2018S | Extra Clearance Offset Soffit Plate | |
| *2019L | Flush Rabbeted Transom Angle Bracket | \$32.60 |
| ^2019S | Standard Spacer Block | \$10.20 |
| 2019S-7/8 | Spacer Block for use w/ 5/8" Stop and 1/4" Weatherstrip (PR, CLP, CPS only) | \$22.10 |
| 2019S-25 | Spacer Block for Wide Soffit and 1/4" Weatherstrip (PR, CLP, CPS only) | \$33.50 |
| *2022 | Flush Transom Angle Bracket | \$44.10 |
| *2403B | Molded/Bull Nose Trim Bracket | |
| *2403-3/4 | | |
| 80 | | |
| **6190 | Unitrol® Soffit Plate Support Bracket | \$48.00 |
| 6191 | Unitrol® Wide Frame Reinforcing Kit | \$60.20 |
| 6191B-25 | Unitrol® Wide Frame Reinforcing for Wide Soffit and 1/4" Weatherstrip | \$106.40 |
| 6890 | Narrow Frame Support Bracket | \$55.00 |
| 6891 | Clearance/Support Blade Stop | |

*No charge when ordered with closer.

** Furnished regularly with all Parallel Arm Unitrols.

^ Furnished standard with NHO and HO heavy-duty arms (PR, CLP, CPS).

When ordering 6191 in place of 6190, no extra.

Refer to page 12 for plating charges.

COVERS

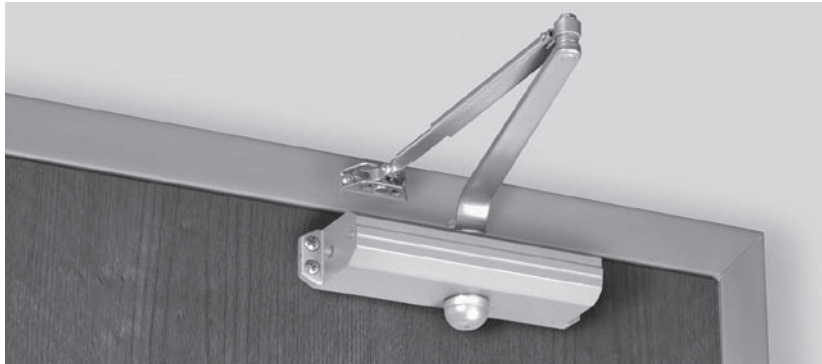
| | | |
|--------|--|---------|
| 8200P | Plastic Slim-Line Cover | \$18.00 |
| 8200PG | ABS Plastic Slim-Line Cover | \$26.00 |
| 1639 | Pinion Cap (used with Slim-Line Cover) | \$5.30 |
| 8400P | Plastic Full Cover | \$31.00 |
| 8400PG | ABS Plastic Full Cover | \$37.00 |
| 8400A | Optional Plastic Architectural Cover | \$31.00 |
| 8400AG | Optional Plastic Architectural ABS Cover | \$37.00 |
| 8400M | Metal Cover | \$39.00 |
| 8400M | When Ordered with Closer in Place of 8400P | \$8.00 |
| 8400MA | Optional Metal Architectural Cover | \$39.00 |
| 8400MA | When Ordered with Closer in Place of 8400P | \$8.00 |

USA & Canada Prices Effective June 3, 2019

ASSA ABLOY

The global leader in
door opening solutions

Norton and Rixson are brands associated with ASSA ABLOY Access and Egress Hardware Group, Inc., an ASSA ABLOY Group company.
Copyright© 2002-2019, ASSA ABLOY Access and Egress Hardware Group, Inc. All rights reserved. Reproduction in whole or in part
without the express written permission of ASSA ABLOY Access and Egress Hardware Group, Inc. is prohibited.
Contact Norton: 877-974-2255 or visit www.nortondoорcontrols.com; Contact RIXSON: 800-457-5670 or visit www.rixson.com.
In Canada contact us at: 800-461-3007 or visit www.assaabloydss.ca



9300BC SERIES - Specify Size 3 or 4

(6 per case)

NON-HOLD OPEN

| MODEL NO. | PRODUCT DESCRIPTION | APPROX. SHIPPING WEIGHT (lbs) | LIST PRICE (689, 690, 691, 693, 694, 696) |
|-----------|---------------------|-------------------------------|--|
| 9303BC | Regular Arm | 6 | \$250.00 |
| 9304BC | | | |
| P9303BC | Parallel Arm | | |
| P9304BC | | | |

HOLD OPEN

| | | | |
|----------|------------------------|---|----------|
| 9303BCH | Regular Hold Open Arm | 6 | \$296.00 |
| 9304BCH | | | |
| P9303BCH | Parallel Hold Open Arm | | |
| P9304BCH | | | |

NON-HOLD OPEN

| MODEL NO. | PRODUCT DESCRIPTION | APPROX. SHIPPING WEIGHT (lbs) | LIST PRICE (689, 690, 691, 693, 694, 696) |
|----------------|--|-------------------------------|--|
| 9303BC x 9318A | Regular Arm w/ Parallel Bracket and Shoe | 6 | \$260.00 |
| 9304BC x 9318A | | | |

HOLD OPEN

| | | | |
|-----------------|---|---|----------|
| 9303BCH x 9328H | Regular Hold Open Arm w/Parallel Bracket and Shoe | 6 | \$306.00 |
| 9304BCH x 9328H | | | |

ACCESSORIES

| | | |
|-------|-------------------------------------|---------|
| 9318A | Parallel Arm Bracket, Non-Hold Open | \$26.60 |
| 9328H | Parallel Arm Bracket, Hold Open | |

DROP PLATE

| | | |
|------|------------|---------|
| 9388 | Drop Plate | \$42.00 |
|------|------------|---------|



9500 SERIES - ADJUSTABLE SIZES 1 THRU 6

(4 PER CASE)

NON-HOLD OPEN

| MODEL NO. | PRODUCT DESCRIPTION | APPROX. SHIPPING WEIGHT (lbs) | LIST PRICE |
|-----------|--|-------------------------------|--|
| | | | (689, 690, 691, 693, 694, 696, 613E, BSP, WSP) |
| 9500 | Regular, Parallel or Top Jamb to 3" Reveal | 14 | \$565.00 |
| 9500ST | Pull Side Slide Track | | \$627.00 |
| PS9500ST | Push Side Slide Track | | |
| PR9500 | Parallel Rigid Arm | 15 | \$588.00 |
| PRO9500 | Parallel Rigid Offset Arm | | \$592.00 |
| CLP9500 | CloserPlus® Arm | | \$627.00 |
| R9500 | Regular Rigid Arm | | \$610.00 |
| ^UNI9500 | Unitrol® Arm | 16 | \$803.00 |

HOLD OPEN

(4 PER CASE)

| | | | |
|-----------|--|----|----------|
| 9500H | Regular, Parallel or Top Jamb to 3" Reveal | 14 | \$611.00 |
| 9500STH | Pull Side Slide Track | | \$673.00 |
| PS9500STH | Push Side Slide Track | | |
| PR9500H | Parallel Rigid Arm (Handed) | 15 | \$634.00 |
| PRO9500H | Parallel Rigid Offset Arm (Handed) | | \$638.00 |
| CLP9500T | CloserPlus® Arm | | \$673.00 |
| ^UNI9500H | Unitrol® Arm | | 16 |

OPTIONS

| | | |
|----|--|-------------|
| DA | Delayed Action suffix "DA" to model number | Add \$44.00 |
| M | Metal Cover suffix "M" to model number | Add \$12.00 |

^ When ordering specify door width.

SNB furnished standard with ST, PR, CLP and UNI arms.

Refer to page 12 for plating charges.

ASSA ABLOY

The global leader in door opening solutions

USA & Canada Prices Effective June 3, 2019

Norton and Rixson are brands associated with ASSA ABLOY Access and Egress Hardware Group, Inc., an ASSA ABLOY Group company. Copyright© 2002-2019, ASSA ABLOY Access and Egress Hardware Group, Inc. All rights reserved. Reproduction in whole or in part without the express written permission of ASSA ABLOY Access and Egress Hardware Group, Inc. is prohibited. Contact Norton: 877-974-2255 or visit www.nortondoорcontrols.com; Contact RIXSON: 800-457-5670 or visit www.rixson.com. In Canada contact us at: 800-461-3007 or visit www.assaabloydss.ca

DROP PLATES

| MODEL NO. | PRODUCT DESCRIPTION | LIST PRICE |
|-----------|--|--|
| | | (689, 690, 691, 693, 694, 696, 613E, BSP, WSP) |
| 9586 | Narrow Top Rail Drop Plate for Regular Arm or Pull Side Track | \$84.00 |
| 9587 | Narrow Top Rail Drop Plate for Top Jamb Applications | |
| 9588 | Narrow Top Rail Drop Plate for Parallel Arm or Push Side Track | |

ACCESSORIES

| | | |
|------------|--|---------|
| 9500-CMB | Closer Mounting Bracket | \$21.00 |
| 9500-MAB | Mortise Arm Bracket for Regular Arm Mounting | \$54.00 |
| *9518 | Parallel Arm Non-Hold Open Bracket | \$6.00 |
| 9528H | Parallel Arm Hold Open Bracket | \$43.00 |
| 9500-OB | Parallel Arm Offset Bracket | \$27.00 |
| 9500-PFTB | Parallel Arm Flush Transom Bracket | \$43.00 |
| 9500-RB | Reinforcing Bracket | \$37.00 |
| 9500-DRK | Deep Reveal Reinforcement Kit | \$50.00 |
| 9500-FPB | Flush Partition Bracket | \$35.00 |
| 9500-AB | Angle Support Bracket | \$43.00 |
| 9500-FTB | Flush Transom Bracket | \$26.00 |
| 9500-1/2SP | 1/2" Blade Stop Spacer | \$25.00 |
| 9500-5/8SP | 5/8" Blade Stop Spacer | \$44.00 |

* No charge when ordered with closer.
Refer to page 12 for plating charges.

COVERS

| | | |
|------------|------------------------------------|----------|
| 9500P | Plastic Cover - Painted | \$60.00 |
| 9500COVM-L | Metal Cover - Painted (Left Hand) | \$75.00 |
| 9500COVM-R | Metal Cover - Painted (Right Hand) | |
| 9500COVM-L | Metal Cover - Plated (Left Hand) | \$218.00 |
| 9500COVM-R | Metal Cover - Plated (Right Hand) | |

USA & Canada Prices Effective June 3, 2019

ASSA ABLOY

The global leader in
door opening solutions

Norton and Rixson are brands associated with ASSA ABLOY Access and Egress Hardware Group, Inc., an ASSA ABLOY Group company.
Copyright© 2002-2019, ASSA ABLOY Access and Egress Hardware Group, Inc. All rights reserved. Reproduction in whole or in part without the express written permission of ASSA ABLOY Access and Egress Hardware Group, Inc. is prohibited.
Contact Norton: 877-974-2255 or visit www.nortondoорcontrols.com; Contact RIXSON: 800-457-5670 or visit www.rixson.com.
In Canada contact us at: 800-461-3007 or visit www.assaabloydss.ca



9540 SERIES - ADJUSTABLE SIZES 1 THRU 6

(4 PER CASE)

Non-Hold Open, Tri-Packed, Threaded Arm

| MODEL NO. | PRODUCT DESCRIPTION | APPROX. SHIPG. WGT. (lbs) | LIST PRICE (689, 690, 691, 693, 694, 696, 613E, BSP, WSP) |
|-----------|--|---------------------------|--|
| 9540 | Regular, Parallel or Top Jamb to 2-9/16" | 14 | \$553.00 |

OPTIONS

| | | |
|----|---|-------------|
| DA | Delayed Action suffix "DA" to Model Number | Add \$44.00 |
| M | Metal Cover suffix "M" to Model Number; Specify Handing | Add \$12.00 |

DROP PLATES

| | | |
|-----------|---------------------------|---------|
| 9540-18 | Regular Arm Application | \$80.00 |
| 9540-18TJ | Top Jamb Application | |
| 9540-18PA | Parallel Arm Applications | |

COVERS

| | | |
|-----------|--|----------|
| 9500P | Plastic Cover - Painted | \$60.00 |
| 9540M-1 | Metal Cover, Right Hand Application, Painted | \$73.00 |
| 9540M-2 | Metal Cover, Left Hand Application, Painted | |
| 9540M-1PL | Metal Cover, Right Hand Application, Plated | \$237.00 |
| 9540M-2PL | Metal Cover, Left Hand Application, Plated | |

ACCESSORIES

| | | |
|-----------|--|----------|
| 9540-CMB | Mounting Bracket | \$181.00 |
| 9500LAP | Closer Body Only | \$484.00 |
| SP9540 | Standard Screw Pack | \$49.00 |
| SP9540SNB | Sex Nuts and Bolts (SNB) for 1-3/4" Door | \$18.00 |
| SP9500COV | Cover Screw Pack | \$11.00 |

Refer to page 12 for plating charges.

ASSA ABLOY

The global leader in door opening solutions

USA & Canada Prices Effective June 3, 2019

Norton and Rixson are brands associated with ASSA ABLOY Access and Egress Hardware Group, Inc., an ASSA ABLOY Group company. Copyright© 2002-2019, ASSA ABLOY Access and Egress Hardware Group, Inc. All rights reserved. Reproduction in whole or in part without the express written permission of ASSA ABLOY Access and Egress Hardware Group, Inc. is prohibited. Contact Norton: 877-974-2255 or visit www.nortondoорcontrols.com; Contact RIXSON: 800-457-5670 or visit www.rixson.com. In Canada contact us at: 800-461-3007 or visit www.assaabloydss.ca



5600 SERIES

SLIDE TRACK ARMS (PULL SIDE)

| MODEL NO. | PRODUCT DESCRIPTION | APPROX. SHIPG. WGT. (lbs) | LIST PRICE |
|-----------|--|---------------------------|----------------------|
| | | | (689, 690, BSP, WSP) |
| 5610 | Pull Side; Rigid Arm and Slide Track | 20 | \$1,655.00 |
| 5610-RF1 | Radio Frequency; Rigid Arm and Slide Track (Power Supply Included) | | \$1,775.00 |

DOUBLE LEVER ARMS (PUSH SIDE)

| | | | |
|----------|---|----|------------|
| 5630 | Push Side; Double Lever Arm | 20 | \$1,655.00 |
| 5630-RF1 | Radio Frequency; Double Lever Arm (Power Supply Included) | | \$1,775.00 |

KITS

| | | | |
|-----------|--|----|------------|
| 5610K1 | 5610 Operator with Onboard Power Supply and (1) 700 Switch | 20 | \$1,863.00 |
| 5610K1-SC | 5610 Operator with Onboard Power Supply, (1) 700 Switch and (1) HES 5000C Strike (for Cylindrical Locks) | 22 | \$2,017.00 |
| 5610K1-SM | 5610 Operator with Onboard Power Supply, (1) 700 Switch and (1) HES 1006CLB Strike (for Mortise Locks) | | \$2,400.00 |
| 5630K1 | 5630 Operator with Onboard Power Supply and (1) 700 Switch | 20 | \$1,863.00 |
| 5630K1-SC | 5630 Operator with Onboard Power Supply, (1) 700 Switch and (1) HES 5000C Strike (for Cylindrical Locks) | 22 | \$2,017.00 |
| 5630K1-SM | 5630 Operator with Onboard Power Supply, (1) 700 Switch and (1) HES 1006CLB Strike (for Mortise Locks) | | \$2,400.00 |
| 5610EX | 5610RF Operator and (1) 536 Transmitter | 20 | \$1,896.00 |
| 5630EX | 5630RF Operator and (1) 536 Transmitter | | |

OPTIONS

| | | |
|----|--|-------------|
| PC | Power Cord (suffix "PC" to model number) | Add \$22.00 |
|----|--|-------------|

See page 46 for Accessories.



5700 SERIES

SLIDE TRACK ARMS (PULL SIDE)

| MODEL NO. | PRODUCT DESCRIPTION | APPROX. SHIPPING WEIGHT (lbs) | LIST PRICE (689, 690, 691, 693, 694, 696, BSP, WSP) |
|-----------|--|-------------------------------|--|
| 5710 | Pull Side, closer sizes 1-6 | 20 | \$3,042.00 |
| 5710-RF1 | Pull Side, Radio Frequency, closer sizes 1-6 | | \$3,162.00 |
| 5710DMY | Dummy unit, closer sizes 1-6 | | \$1,394.00 |

DOUBLE LEVER ARMS (PUSH SIDE)

| | | | |
|----------|---|----|------------|
| 5730 | Push Side, closer sizes 1-6 | 20 | \$3,042.00 |
| 5730-RF1 | Push Side, Radio Frequency, closer size 1-6 | | \$3,162.00 |
| 5730DMY | Dummy unit, closer sizes 1-6 | | \$1,394.00 |

UNIVERSAL UNIT (INCLUDES PUSH OR PULL SIDE ARMS)

| | | | |
|----------|--|----|------------|
| 5740 | Push or Pull Side, closer sizes 1-6 | 21 | \$3,075.00 |
| 5740-RF1 | Push or Pull Side, Radio Frequency, closer sizes 1-6 | | \$3,195.00 |

KIT

| | | | |
|--------|--|----|------------|
| 5740K3 | Includes 5710 pull operator, 7701-1A push arm assembly, power cord, (2) ADA1019-1 push buttons and (2) 548 receivers | 40 | \$3,550.00 |
|--------|--|----|------------|

OPTIONS

| | | |
|----|--|-------------|
| PC | Power Cord (suffix "PC" to model number) | Add \$22.00 |
|----|--|-------------|

See page 46 for Accessories.



5800 SERIES ADAEZ

(1 per case)

PRO

| MODEL NO. | PRODUCT DESCRIPTION | APPROX. SHIP WT (lbs) | LIST PRICE (693T, 689) |
|-----------|---|-----------------------|------------------------|
| 5831xNPB | Operator + Narrow Style Push Buttons, Push Side | 20 | \$3,283.00 |
| 5811xNPB | Operator + Narrow Style Push Buttons, Pull Side | | |
| 5831xSQPB | Operator + Square Style Push Buttons, Push Side | | \$3,333.00 |
| 5811xSQPB | Operator + Square Style Push Buttons, Pull Side | | |

PRO PLUS

| | | | |
|-----------|---|----|------------|
| 5833xNPB | Operator + Narrow Style Push Buttons + ADA1015P Hardwire Kit, Push Side | 20 | \$3,383.00 |
| 5813xNPB | Operator + Narrow Style Push Buttons + ADA1015P Hardwire Kit, Pull Side | | |
| 5833xSQPB | Operator + Square Style Push Buttons + ADA1015P Hardwire Kit, Push Side | | \$3,433.00 |
| 5813xSQPB | Operator + Square Style Push Buttons + ADA1015P Hardwire Kit, Pull Side | | |

PRO COMPLETE

| | | | |
|-----------|---|----|------------|
| 5845xNPB | Operator + Narrow Style Push Buttons + ADA1015P Hardwire Kit, Push or Pull Side Mounting Hardware, Black & Aluminum Finish Covers | 20 | \$3,467.00 |
| 5845xSQPB | Operator + Square Style Push Buttons + ADA1015P Hardwire Kit, Push or Pull Side Mounting Hardware, Black & Aluminum Finish Covers | | \$3,517.00 |
| 5845xWTO | Operator + Wave-to-Open Touch-less Wall Switch + ADA1015P Hardwire Kit, Push or Pull Side Mounting Hardware, Black & Aluminum Finish Covers | | \$3,621.00 |

PRO CUSTOM (WITHOUT PUSH BUTTONS)

| | | | |
|----------|---------------------|----|------------|
| 5831xLPB | Operator, Push Side | 20 | \$3,033.00 |
| 5811xLPB | Operator, Pull Side | | |

See page 47 for Accessories.



6011 Shown

6000 SERIES – SINGLE DOORS

(1 per case)

PULL SIDE MOUNTING

| MODEL NO. | PRODUCT DESCRIPTION | COVER LENGTH | APPROX. SHIPPING WGT. (lbs) | LIST PRICE (689, 690, 691, 693, 694, 696, BSP, WSP) |
|-----------|--|--------------|-----------------------------|--|
| 6010 | Slide Track Arm | 31-5/8" | 33 | \$5,643.00 |
| 6011 | | 37-1/2" | 39 | |
| 6050R | Double Egress Arm, RH, Standard Duty to 110° | 31-5/8" | 33 | \$5,710.00 |
| 6050L | Double Egress Arm, LH, Standard Duty to 110° | | | |
| 6051R | Double Egress Arm, RH, Standard Duty to 110° | 37-1/2" | 39 | |
| 6051L | Double Egress Arm, LH, Standard Duty to 110° | | | |

PUSH SIDE MOUNTING

| | | | | |
|------|--|---------|----|------------|
| 6020 | Double Lever Arm, Standard Duty to 110° | 31-5/8" | 33 | \$5,416.00 |
| 6021 | | 37-1/2" | 39 | |
| 6030 | Double Lever Arm, Standard Duty to 180° | 31-5/8" | 33 | \$5,643.00 |
| 6031 | | 37-1/2" | 39 | |
| 6060 | Double Lever Arm, H.D 2-1/4" to 4-3/4" Reveals | 31-5/8" | 33 | |
| 6061 | | 37-1/2" | 39 | |
| 6070 | Double Lever Arm, H.D 4-13/16" to 7-3/8" Reveals | 31-5/8" | 33 | |
| 6071 | | 37-1/2" | 39 | |

OPTIONS

| | | |
|----|--|--------------|
| RF | Radio Frequency | Add \$120.00 |
| D1 | Drop Plate; suffix D1 (36" width) or D2 (37" or wider) to model numbers 6020, 6021, 6030, 6031, 6060, 6061, 6070 or 6071 | Add \$133.00 |
| D2 | | |

See page 46 for Accessories.

DUMMY UNITS

| | | | | |
|-----------|--|---------|-------|------------|
| 6010DMY | Includes (1) door closer mounted to the operator back plate; standard operator cover shipped | 31-5/8" | 23.75 | \$1,755.00 |
| 6011DMY | | 37-1/2" | 33 | |
| 6020DMY | | 31-5/8" | 23.75 | \$1,561.00 |
| 6021DMY | | 37-1/2" | 33 | |
| 6030DMY | | 31-5/8" | 23.75 | \$1,821.00 |
| 6031DMY | | 37-1/2" | 33 | |
| 6050R-DMY | | 31-5/8" | 23.75 | |
| 6050L-DMY | | 31-5/8" | 23.75 | |
| 6051R-DMY | | 37-1/2" | 33 | \$1,755.00 |
| 6051L-DMY | | 37-1/2" | 33 | |
| 6060DMY | | 31-5/8" | 23.75 | \$1,755.00 |
| 6061DMY | | 37-1/2" | 33 | |
| 6070DMY | | 31-5/8" | 23.75 | \$1,755.00 |
| 6071DMY | | 37-1/2" | 33 | |

USA & Canada Prices Effective June 3, 2019 – Revised 06/06/19, 08/09/19

ASSA ABLOY

The global leader in door opening solutions

Norton and Rixson are brands associated with ASSA ABLOY Access and Egress Hardware Group, Inc., an ASSA ABLOY Group company. Copyright© 2002-2019, ASSA ABLOY Access and Egress Hardware Group, Inc. All rights reserved. Reproduction in whole or in part without the express written permission of ASSA ABLOY Access and Egress Hardware Group, Inc. is prohibited. Contact Norton: 877-974-2255 or visit www.nortondoortcontrols.com; Contact RIXSON: 800-457-5670 or visit www.rixson.com. In Canada contact us at: 800-461-3007 or visit www.assaabloydss.ca



6000 SERIES – DOUBLE DOORS

(1 per case)

PULL SIDE MOUNTING - SPECIFY 36, 42" OR 48" WHEN ORDERING

| MODEL NO. | PRODUCT DESCRIPTION | APPROX. SHIPPING WEIGHT (lbs) | LIST PRICE (689, 690, 691, 693, 694, 696, BSP, WSP) |
|-----------|--|-------------------------------|--|
| D6011-36 | Slide Track Arm | 76 | \$7,850.00 |
| D6051-36 | Double Egress Arm, Standard Duty to 110° | | \$8,150.00 |

PUSH SIDE MOUNTING - SPECIFY 36, 42" OR 48" WHEN ORDERING

| | | | |
|----------|--|----|------------|
| D6021-36 | Double Lever Arm, Standard Duty to 110° | 76 | \$7,802.00 |
| D6031-36 | Double Lever Arm, Standard Duty to 180° | | |
| D6061-36 | Double Lever Arm, H.D 2-1/4" to 4-3/4" Reveals | | \$7,850.00 |
| D6071-36 | Double Lever Arm, H.D 4-13/16" to 7-3/8" Reveals | | |

OPTIONS

| | | |
|-------------|---|--------------|
| RF | Radio Frequency | Add \$120.00 |
| D | Drop Plate suffix "D" to model number; D6021, D6031, D6061, D6071 series only | Add \$133.00 |
| Wider Doors | 42" Door Width (examples: D6011-42, D6061-42, etc.) | Add \$50.00 |
| | 48" Door Width (examples: D6051-48, D6071-48, etc.) | Add \$100.00 |

See page 46 for Accessories.

DUMMY UNITS

| | | | |
|-------------|---|----|------------|
| D6011-36DMY | Includes: (1) operator plus (1) door closer mounted to the operator back plate; standard operator cover shipped | 67 | \$4,500.00 |
| D6021-36DMY | | | \$4,452.00 |
| D6031-36DMY | | | \$4,750.00 |
| D6051-36DMY | | | |
| D6061-36DMY | | | \$4,500.00 |
| D6071-36DMY | | | |

OPTIONS

| | | |
|-------------|---------------------------------------|--------------|
| Wider Doors | 42" Door Width (example: D6011-42DMY) | Add \$50.00 |
| | 48" Door Width (example: D6071-48DMY) | Add \$100.00 |

ASSA ABLOY

The global leader in door opening solutions

USA & Canada Prices Effective June 3, 2019 – Revised 06/06/19

Norton and Rixson are brands associated with ASSA ABLOY Access and Egress Hardware Group, Inc., an ASSA ABLOY Group company. Copyright© 2002-2019, ASSA ABLOY Access and Egress Hardware Group, Inc. All rights reserved. Reproduction in whole or in part without the express written permission of ASSA ABLOY Access and Egress Hardware Group, Inc. is prohibited. Contact Norton: 877-974-2255 or visit www.nortondoortcontrols.com; Contact RIXSON: 800-457-5670 or visit www.rixson.com. In Canada contact us at: 800-461-3007 or visit www.assaabloydss.ca



6300 SERIES

PULL SIDE

| MODEL NO. | PRODUCT DESCRIPTION | OVERALL LENGTH | APPROX. SHIPPING WEIGHT (lbs) | LIST PRICE (689, 690, BSP, WSP) | |
|-----------|-------------------------------|----------------|-------------------------------|------------------------------------|------------|
| 6311 | Rigid Arm & Slide Track | 37-3/8" | 28 | \$3,824.00 | |
| 6312 | | 39-5/8" | | | |
| 6351R | Double Egress Arm, Right Hand | 37-3/8" | | 28 | \$3,886.00 |
| 6351L | Double Egress Arm, Left Hand | | | | |
| 6352R | Double Egress Arm, Right Hand | 39-5/8" | | | |
| 6352L | Double Egress Arm, Left Hand | | | | |

PUSH SIDE

| | | | | |
|------|------------------|---------|----|------------|
| 6331 | Double Lever Arm | 37-3/8" | 28 | \$3,824.00 |
| 6332 | | 39-5/8" | | |

UNIVERSAL (PUSH AND PULL)

| | | | | |
|------|---|---------|----|------------|
| 6341 | Rigid Arm & Slide Track and Double Lever Arms Included | 37-3/8" | 28 | \$3,921.00 |
| 6342 | | 39-5/8" | | |

Note: Models 6312, 6332, 6342 and 6352 cannot be used on pairs of 36" doors.
See page 46 for Accessories.

ACCESSORIES

| MODEL NO. | PRODUCT DESCRIPTION | LIST PRICE |
|-----------|--|------------|
| 501 | Door Switch - 4-1/2" sq., Stainless/black letters | \$172.00 |
| 502 | Door Switch - 4-1/2" sq., Blue/white letters, ADA symbol | |
| 505 | Door Switch - 6" sq., Stainless/blue letters, ADA symbol, Hard Wired | \$166.00 |
| 531 | Door Switch - 6" sq., Stainless/blue letters, ADA symbol, RF | \$273.00 |
| 507 | Door Switch - 6" sq., Stainless/blue letters, Hard Wired | \$166.00 |
| 532 | Door Switch - 6" sq., Stainless/blue letters, RF | \$273.00 |
| 506 | Door Switch - 6" round, Stainless/blue letters, ADA symbol, Hard Wired | \$166.00 |
| 533 | Door Switch - 6" round, Stainless/blue letters, ADA symbol, RF | \$273.00 |
| 534 | Door Switch - 6" round, Stainless/blue letters, Hard Wired | \$172.00 |
| 535 | Door Switch - 6" round, Stainless/blue letters, RF | \$273.00 |
| 503 | Door Switch - 1-1/2"x 4-3/4", Stainless/blue letters | \$133.00 |
| 504 | Vestibule Switches - 1-1/2"x 4-3/4", Stainless/blue letters | \$286.00 |
| 542 | 4-1/2" square surface mount box only for 501, 502 | \$55.10 |
| 555 | 6" square surface mount box only for 505, 507 | \$68.10 |
| 557 | 6" round surface mount box only for 506, 534 | |
| 559 | Narrow Jamb Surface Mount Box for 503 | \$443.00 |
| 700 | Touch Less Wall Switch - width: 2-3/4" (single), 4-1/2" (double) | \$443.00 |
| 536 | Single Channel Hand Held Transmitter | \$119.00 |
| 538 | Double Channel Hand Held Transmitter | \$150.00 |
| 539 | Radio Frequency Receiver | \$140.00 |
| 663 | Motion Sensor | \$609.00 |
| 530 | Switch Post, RF Transmitter 433MHz (5700, 6000, 6300 Series) | \$897.00 |
| 530Post | Post Only (5700, 6000, 6300 Series) | \$672.00 |
| 500 | Switch Post, Hard Wired (5700, 6000, 6300 Series) | \$792.00 |
| 638 | Low Profile Push Plate - 36" x 6", RF (433MHz) | \$1,104.00 |
| 639 | Low Profile Push Plate - 36" x 6", Hard Wired | \$986.00 |
| 548 | Radio Frequency Transmitter - 9V | \$129.00 |
| 5900EXPKG | Executive Package (6300 Series) | \$235.00 |
| 679 | Operational Signs | \$43.00 |
| 682 | Signage Kit | \$7.00 |
| 681 | | |
| 585 | Presence Sensor (6000, 6300 Series) | \$563.00 |

ACCESSORIES

| MODEL NO. | PRODUCT DESCRIPTION | LIST PRICE |
|------------|---|------------|
| ADA1001 | Door Arm Assembly | \$210.00 |
| ADA1006 | Operator Mounting Bracket With Covers | \$100.00 |
| ADA1009 | Mounting Hardware for Aluminum, Wood, and Hollow Metal | \$102.00 |
| ADA1002 | Operator Dress Cover Black Finish | \$140.00 |
| ADA1004 | Operator Dress Cover Aluminum Finish | |
| ADA1005P | Electronic Control Kit - Setup and PC Board - PRO Series | \$554.00 |
| ADA1005WP | Electronic Control Kit for PRO Setup and PC Board (White Board) | |
| ADA1005NY | Electronic Control Kit - Setup and PC Board - NYC-TRD Series | |
| ADA1005WN | Electronic Control Kit for NYC-TRD Setup and PC Board (White Board) | |
| ADA1010P | Operator Body - Non Handed - EL-CNTL Included - Pro Series (direct replacement of former part # 1010L and 1010R) | \$3,126.00 |
| ADA1010NY | Operator Body - Non Handed - EL-CNTL Included - NYC-TRD Series | |
| ADA1007P | Battery Assembly - PRO Series (replaces part 1007) | \$214.00 |
| ADA1023 | External Battery Charger Kit | \$285.00 |
| ADA1015P | Hardwire Kit - Transformer, Armored Door Cord, 50' of Cable | |
| ADA1014 | Decal Pack | \$71.00 |
| ADA1026 | Bottom Cover with Two Screws | \$68.00 |
| ADA1008 | Wireless Pushbutton Transmitter (circuit board only) | \$106.00 |
| ADA1022 | Kit to Convert SPDT Switch to DPDT Switch | \$83.00 |
| ADA1025 | Multi-Purpose Timer Module | \$171.00 |
| ADA1012-1 | 1-3/4" (4.5 cm) Pushbutton Assembly - w/o RF Transmitter | \$140.00 |
| ADA1012-2 | 1-3/4" Pushbutton Assembly - with RF Transmitter | \$210.00 |
| ADA1019-1 | 4-1/2" (11.4 cm) Square Pushbutton w/o RF Transmitter | |
| ADA1019-2 | 4-1/2" Square Pushbutton Assembly w/ RF Transmitter | \$281.00 |
| ADA1019-2A | Qty 2 @ 4-1/2" Square Pushbutton w/ RF Transmitter | \$488.00 |
| ADA1019-3 | 4-1/2" Square Pushbutton Assembly w/ DPDT Switch, w/o RF Transmitter | \$265.00 |
| ADA1019-4 | 4-1/2" Square Pushbutton Assembly , DPDT Switch, w/ RF Transmitter | \$327.00 |
| ADA1028W | Wireless Interface Module | \$415.00 |
| ADA1031 | Hand Held RF Transmitter | \$214.00 |
| ADA1024 | Kit to Convert to a Push Side | \$205.00 |
| ADA1021 | Kit to Convert to a Pull Side | \$183.00 |



7100SZ SERIES

Specify Hand

| MODEL NO. | PRODUCT DESCRIPTION | APPROX. SHIPPING WEIGHT (lbs) | LIST PRICE (689, 690, 691, 693, 694, 696, BSP, WSP) |
|-----------|---|-------------------------------|--|
| 7110SZ | Pull Side; Rigid Arm and Slide Track (specify spring size 3, 4 or 5) | 16 | \$1,434.00 |
| 7120SZ | Push Side; Double Lever Arm - 11" Main Arm (specify spring size 2, 3, 4 or 5) | | |
| 7130SZ | Push Side; Double Lever Arm - 13-1/2" Main Arm (specify spring size 2, 3, 4 or 5) | | |
| 7150SZ | Pull Side; Double Egress Arm and Slide Track (specify spring size 3, 4 or 5) | | \$1,517.00 |

OPTIONS

| | | |
|----|---|--------------|
| DZ | Unit Supplied with Secondary Sensor (for opposite side of door) | Add \$573.00 |
|----|---|--------------|

DROP ANGLE BRACKET

| | | |
|-------------|--------------------------|---------|
| 7100DAB | Drop Angle Bracket | \$66.00 |
| 7100DAB-180 | Drop Angle Bracket, 180° | |



7200 SERIES

(1 per case)

RIGID ARM SLIDE TRACK - Specify Size 3 thru 5 - Specify Hand

| MODEL NO. | PRODUCT DESCRIPTION | APPROX. SHIPPING WEIGHT (lbs) | LIST PRICE (689, 690, 691, 693, 694, 696, BSP, WSP) |
|-----------|---|-------------------------------|--|
| 7210MPDO | Master Unit - Selective | 18 | \$3,020.00 |
| 7210MPSO | Slave/Support Unit - Selective | 16 | \$1,520.00 |
| 7210RFS | Executive™ Dr. Holder/Release - Selective | | \$2,157.00 |

DOUBLE LEVER ARM - 11" MAIN ARM - Specify Size 3 thru 5 - Specify Hand

| | | | |
|----------|---|----|------------|
| 7220MPDO | Master Unit - Selective | 18 | \$3,020.00 |
| 7220MPSO | Slave/Support Unit - Selective | 16 | \$1,520.00 |
| 7220RFS | Executive™ Dr. Holder/Release - Selective | | \$2,157.00 |

DOUBLE LEVER ARM - 13-1/2" MAIN ARM - Specify Size 3 thru 5 - Specify Hand

| | | | |
|----------|---|----|------------|
| 7230MPDO | Master Unit - Selective | 18 | \$3,020.00 |
| 7230MPSO | Slave/Support Unit - Selective | 16 | \$1,520.00 |
| 7230RFS | Executive™ Dr. Holder/Release - Selective | | \$2,157.00 |

CONNECTED FREE-SWING SLIDE TRACK - Specify Size 3 thru 5 - Specify Hand

| | | | |
|----------|---|----|------------|
| 7240MPDO | Master Unit - Selective | 18 | \$3,071.00 |
| 7240MPSO | Slave/Support Unit - Selective | 16 | \$1,571.00 |
| 7240RFS | Executive™ Dr. Holder/Release - Selective | | \$2,208.00 |

DOUBLE EGRESS ARM SLIDE TRACK - Specify Size 3 thru 5

| MODEL NO. | PRODUCT DESCRIPTION | APPROX. SHIPPING WEIGHT (lbs) | LIST PRICE (689, 690, 691, 693, 694, 696, BSP, WSP) |
|-----------|---|-------------------------------|--|
| 7250MPDO | Master Unit - Selective | 18 | \$3,100.00 |
| 7250MPSO | Slave/Support Unit - Selective | 16 | \$1,600.00 |
| 7250RFS | Executive™ Dr. Holder/Release - Selective | | \$2,237.00 |

OVERHEAD CONCEALED - Specify Size 4 thru 6

| | | | |
|---------|---|----|------------|
| 7290MPS | Support Unit - Selective | 16 | \$1,448.00 |
| 7290RFS | Executive™ Dr. Holder/Release - Selective | | \$2,055.00 |

DROP ANGLE BRACKETS

| | | |
|-------------|--------------------------|---------|
| 7100DAB | Drop Angle Bracket | \$66.00 |
| 7100DAB-180 | Drop Angle Bracket, 180° | |

USA & Canada Prices Effective June 3, 2019

ASSA ABLOY

The global leader in
door opening solutions

Norton and Rixson are brands associated with ASSA ABLOY Access and Egress Hardware Group, Inc., an ASSA ABLOY Group company. Copyright© 2002-2019, ASSA ABLOY Access and Egress Hardware Group, Inc. All rights reserved. Reproduction in whole or in part without the express written permission of ASSA ABLOY Access and Egress Hardware Group, Inc. is prohibited. Contact Norton: 877-974-2255 or visit www.nortondoорcontrols.com; Contact RIXSON: 800-457-5670 or visit www.rixson.com. In Canada contact us at: 800-461-3007 or visit www.assaabloydss.ca



POWER TRACK® CLOSER-HOLDERS

(1 per case)

| MODEL NO. | PRODUCT DESCRIPTION | APPROX. SHIPPING WEIGHT (lbs) | LIST PRICE (689, 690, 691, 693, 694, 696, BSP, WSP) |
|-----------|--------------------------|-------------------------------|--|
| 7705PTDO | Master Unit, Hinge Side | 12 | \$2,413.00 |
| P7705PTDO | Master Unit, Stop Side | | |
| 7705PTO | Support Unit, Hinge Side | 11 | \$1,075.00 |
| P7705PTO | Support Unit, Stop Side | | |

OPTION

| | | |
|----|---|-------------|
| DE | Double Egress Arms suffix "DE" to model number (hinge side only). Handed. | Add \$80.00 |
|----|---|-------------|

DOOR CLOSER BODIES ONLY

| MODEL NO. | PRODUCT DESCRIPTION | LIST PRICE |
|------------|---|------------|
| 1601LAP | 1601 Door Closer Body | \$185.00 |
| 160XBCLAP | 1603BC, 1604BC Door Closer Bodies | |
| 1601SSLAP | 1601SS Door Closer Body | \$385.00 |
| 170XLAP | 1703/1704 Door Closer Bodies | \$186.00 |
| 7500LAP | 7500 Door Closer Body | \$407.00 |
| 7500SSLAP | 7500SS Corrosion Resistant Door Closer Body | \$810.00 |
| 78B/DLAP* | 78 Door Closer Body - Size 2/4 | \$900.00 |
| 78E/FLAP* | 78 Door Closer Body - Size 5/6 | |
| 8101LAP | 8101, 8301, 8501 Door Closer Bodies | \$287.00 |
| 930XBCLAP | 9303BC, 9304BC Door Closer Bodies | \$150.00 |
| 9500LAP | 9500 Door Closer Body | \$484.00 |
| 790XLAP | 7900 Door Closer Bodies | \$464.00 |
| 797XLAP | 7970 Security Door Closer Bodies | \$605.00 |
| 797XDPSLAP | 7970DPS Security Door Closer Bodies | \$859.00 |

OPTION

| | | |
|----|--|-------------|
| DA | Delayed Action suffix "DA" to model number | Add \$44.00 |
|----|--|-------------|

"X" in catalog number - specify closer size.

*Specify Hand.

SN, SNB, TBGN - 4 per pack

| MODEL NO. | PRODUCT DESCRIPTION | LIST PRICE |
|-------------|--|------------|
| SN-134 | Sex Nuts Only 1-3/4" Door | \$6.20* |
| SN-214 | Sex Nuts Only 2-1/4" Door | \$69.00* |
| SNB134-38 | Sex Nuts and Bolts 1-3/4" Door - 1600, 8000 Series Closer | \$18.90* |
| SNB200-38 | Sex Nuts and Bolts 2" Door - 1600, 8000 Series Closer | |
| SNB214-38 | Sex Nuts and Bolts 2-1/4" Door - 1600, 8000 Series Closer | \$95.00* |
| SNB134-47 | Sex Nuts and Bolts 1-3/4" Door - 7500 Series Closer | \$18.90* |
| SNB200-47 | Sex Nuts and Bolts 2" Door - 7500 Series Closer | |
| SNB214-47 | Sex Nuts and Bolts 2-1/4" Door - 7500 Series Closer | \$95.00* |
| SN-134SS | Stainless Steel Sex Nuts Only for 1-3/4" Door | \$90.00 |
| SNB134SS-38 | Stainless Steel Sex Nuts and Bolts for 1-3/4" Door - 1600BCSS or 1601SS Series | \$95.00 |
| SNB134SS-47 | Stainless Steel Sex Nuts and Bolts for 1-3/4" Door - 7500SS Series | |
| SP9500 | Standard Screw Package - 9500 Series Closer | \$13.00 |
| SP9500SN | Standard Screw Package (includes Sex Nuts) - 9500 Series Closer | |
| SP9500SNB | Sex Nuts and Bolts 1-3/4" door - 9500 Series Closer | \$17.40* |
| TBGN138-38 | Through-Bolts and Grommet Nuts 1-3/8" Door - 1600, 8000 Series | \$13.80 |
| TBGN134-38 | Through-Bolts and Grommet Nuts 1-3/4" Door - 1600, 8000 Series | |
| TBGN214-38 | Through-Bolts and Grommet Nuts 2-1/4" Door - 1600, 8000 Series | |
| TBGN138-47 | Through-Bolts and Grommet Nuts 1-3/8" Door - 7500 Series | |
| TBGN134-47 | Through-Bolts and Grommet Nuts 1-3/4" Door - 410, 7500 Series | |

Note: Sex Nuts furnished standard with PR, CLP, CPS and UNI arms.

*For PLATED STEEL SEX NUTS or SEX NUTS and BOLTS add \$30.00 to list price.

TORX®

| MODEL NO. | PRODUCT DESCRIPTION | LIST PRICE |
|-----------|--|------------|
| TX38 | Torx® Screw Pack - 8000 Series | \$50.00 |
| PRTX38 | Torx® Screw Pack - 8000 Series, Parallel Rigid, CloserPlus® or CloserPlus Spring™ Arms | |
| RTX38 | Torx® Screw Pack - 8000 Series, Regular Rigid Heavy-Duty Arm | |
| UNITX38 | Torx® Screw Pack - 8000 Series, Unitrol® Arm | |
| STTX38 | Torx® Screw Pack - 8000 Slide Track, Push or Pull | |
| TX47 | Torx® Screw Pack - 7500 Series | |
| PRTX47 | Torx® Screw Pack - 7500 Series, Parallel Rigid, CloserPlus® or CloserPlus Spring™ Arms | |
| RTX47 | Torx® Screw Pack - 7500 Series, Regular Rigid Heavy-Duty Arm | |
| UNITX47 | Torx® Screw Pack - 7500 Series, Unitrol® Arm | |
| STTX47 | Torx® Screw Pack - 7500 Slide Track, Push or Pull | |
| TX95 | Torx® Screw Pack - 9500 Series | \$41.00 |
| PRTX95 | Torx® Screw Pack - 9500 Series, Parallel Rigid, CloserPlus® Arms | |
| RTX95 | Torx® Screw Pack - 9500 Series, Regular Rigid Heavy-Duty Arm | |
| UNITX95 | Torx® Screw Pack - 9500 Series, Unitrol® Arm | |
| TXTK95 | Torx® Screw Pack - 9500 Series, Tracks | |
| TX6700M | Torx® Screw Pack - 6000 Operator Cover | \$26.00 |

Note: Torx Tool Kit see page 12.

1600BC, 1601, 7500, 8000, 9300BC

| MODEL NO. | PRODUCT DESCRIPTION | LIST PRICE |
|-------------|---|------------|
| 7701-1 | Regular Arm Assembly, Non-Hold Open | \$100.00 |
| 7701-1M | Main Arm Assembly | \$54.00 |
| 7701-111 | Secondary Arm Assembly | \$57.00 |
| 7701-1W | Arm Assembly Less Rod and Shoe | \$89.00 |
| 7701-11 | Rod and Shoe Assembly | \$38.00 |
| 7701-1A | J Top Jamb Arm Assembly, Non-Hold Open | \$100.00 |
| 7701-1M | Main Arm Assembly | \$54.00 |
| 7701-121 | Secondary Arm Assembly | \$57.00 |
| 7701-1W | Arm Assembly Less Rod and Shoe | \$89.00 |
| 7701-11A | Rod and Shoe Assembly | \$38.00 |
| 7701-1B | JL Top Jamb Arm Assembly, Non-Hold Open | \$100.00 |
| 7701-2M | Main Arm Assembly | \$54.00 |
| 7701-131 | Secondary Arm Assembly | \$57.00 |
| 7701-2W | Arm Assembly Less Rod and Shoe | \$89.00 |
| 7701-11B | Rod and Shoe Assembly | \$38.00 |
| *7701-5 | Parallel Arm Assembly w/ 1618 Soffit Plate, Non-Hold Open | \$100.00 |
| 7701-1M | Main Arm Assembly | \$54.00 |
| *7701-115 | Secondary Arm Assembly | \$57.00 |
| 7701-1W | Arm Assembly Less Rod and Soffit Plate | \$89.00 |
| *7701-15 | Rod and 1618 Soffit Plate Assembly | \$38.00 |
| **7701-5A | Parallel Arm Assembly w/ 1618 Soffit Plate, Non-Hold Open | \$100.00 |
| 7701-1M | Main Arm Assembly | \$54.00 |
| **7701-115A | Secondary Arm Assembly | \$57.00 |
| 7701-1W | Arm Assembly Less Rod and Soffit Plate | \$89.00 |
| **7701-15A | Rod and 1618 Soffit Plate Assembly | \$38.00 |

*7500 Series Only.

**180° door swing using special template for doors hung on 6" to 8" wide throw hinges.

1600BC, 1601, 7500, 8000, 9300BC

| MODEL NO. | PRODUCT DESCRIPTION | LIST PRICE |
|-------------|--|------------|
| *7701-6 | Parallel Arm Assembly w/ 1618A Soffit Plate, Non-Hold Open | \$100.00 |
| 7701-1M | Main Arm Assembly | \$54.00 |
| *7701-116 | Secondary Arm Assembly | \$57.00 |
| 7701-1W | Arm Assembly Less Rod and Soffit Plate | \$89.00 |
| *7701-16 | Rod and 1618A Soffit Plate Assembly | \$38.00 |
| *7701-6A | Parallel Arm Assembly w/ 1618A Soffit Plate, Non-Hold Open | \$100.00 |
| 7701-1M | Main Arm Assembly | \$54.00 |
| **7701-116A | Secondary Arm Assembly | \$57.00 |
| 7701-1W | Arm Assembly Less Rod and Shoe | \$89.00 |
| **7701-16A | Rod and Shoe Assembly | \$38.00 |
| 7701-3 | Regular Arm Assembly, Hold Open | \$146.00 |
| 7701-1M | Main Arm Assembly | \$54.00 |
| 7701-113 | Secondary Arm Assembly | \$92.00 |
| 7701-3W | Main Arm and Rod Less Holder Shoe Assembly | \$89.00 |
| 7701-13 | Holder Shoe and Loop Assembly | \$57.00 |
| 7701-31 | Adjusting Arm Assembly | \$18.70 |
| 7701-3A | J Top Jamb Arm Assembly, Hold Open | \$146.00 |
| 7701-1M | Main Arm Assembly | \$54.00 |
| 7701-123 | Secondary Arm Assembly | \$92.00 |
| 7701-3WA | Main Arm and Rod Assembly | \$89.00 |
| 7701-13 | Holder Shoe Assembly | \$57.00 |
| 7701-31A | Adjusting Arm Assembly | \$18.70 |
| 7701-3B | JL Top Jamb Arm Assembly, Hold Open | \$146.00 |
| 7701-2M | Main Arm Assembly | \$54.00 |
| 7701-133 | Secondary Arm Assembly | \$92.00 |
| 7701-3WB | Main Arm and Rod Less Holder Shoe Assembly | \$89.00 |
| 7701-13 | Holder Shoe Assembly | \$57.00 |
| 7701-31B | Adjusting Arm Assembly | \$18.70 |
| 7701-8 | Parallel Arm Assembly, Hold Open | \$146.00 |
| 7701-1M | Main Arm Assembly | \$54.00 |
| 7701-118 | Secondary Arm Assembly w/ 1628H Soffit | \$92.00 |
| 7701-3W | Main Arm and Rod Assembly | \$89.00 |
| 7701-13 | Holder Shoe and Loop Assembly w/ 1628H Soffit Plate | \$57.00 |
| 7701-31 | Adjusting Rod Assembly | \$18.70 |

*1600BC, 1601, 8000, 9300BC Series Only.

**180° door swing using special template for doors hung on 6" or 8" wide throw hinges.

1600BC, 1601, 7500, 8000, 9300BC

| MODEL NO. | PRODUCT DESCRIPTION | LIST PRICE |
|-----------|---|------------|
| 7701-25 | Tri-Style® Package w/ 1618 soffit (7500 series) | \$100.00 |
| 7701-26 | Tri-Style® Package w/ 1618A soffit (all other series) | |
| 7701-AS | Arm Shoe Assembly | \$21.70 |
| 7701-ES | Elbow Screw and Washer Assembly | \$8.80 |
| 7701-HSS | Set Screw Hold Open Arm | \$8.30 |
| 7701-HS | Hex Screw for adjusting arm and washer | \$1.10 |
| 7701-MAS | Main Arm Screw | \$8.30 |
| 138x142 | Arm Shoe Sleeve Nut and Screw | \$5.40 |

9500

| MODEL NO. | PRODUCT DESCRIPTION | LIST PRICE |
|-----------|---|------------|
| 9501-1 | Regular Arm Assembly, Non-Hold Open | \$100.00 |
| 9501-1W | Main arm & tube assembly | \$48.00 |
| 9501-11 | Rod & shoe assembly | \$18.70 |
| 9500-HS | Hex screw package | \$7.10 |
| 9501-1B | Top Jamb Deep Reveal Arm Assembly, Non-Hold Open | \$66.20 |
| 9501-2W | Main arm & arm tube assy | \$48.00 |
| 9501-11B | Rod & shoe assembly | \$16.00 |
| 9501-5 | Parallel Arm Assembly w 9518 Bracket, Non-Hold Open | \$82.00 |
| 9501-3 | Regular Arm Assembly, Hold Open | \$148.00 |
| 9501-1W | Main arm & rod assembly | \$48.00 |
| 9501-13 | Hold open bracket assembly | \$68.00 |
| 9501-3B | Top Jamb Deep Reveal Arm Assembly, Hold Open | \$106.00 |
| 9501-3WB | Main arm & rod assy | \$48.00 |
| 9501-3W | Main arm & rod assy | |
| 9501-8 | Parallel Arm Assembly w 9528H Bracket, Hold Open | \$153.00 |

9540

| MODEL NO. | PRODUCT DESCRIPTION | LIST PRICE |
|-----------|--|------------|
| 9541-1 | Regular and Top Jamb Arm (reveals up to 2-9/16") | \$100.00 |
| 9541-5 | Parallel Arm | \$82.00 |
| 9541-1A | Top Jamb Arm (Deep Reveals 2-9/16" to 4-13/16") | \$66.00 |
| 9541-1B | Top Jamb (Deep Reveals 4-13/16" to 8") | |
| 9548 | Parallel Arm Non-Hold Open Bracket | \$76.00 |
| 95ASW | Main Arm Screw & Washer | \$7.00 |

LOW PROFILE ARMS - 1680BC, 1681, 7581, 8081

| MODEL NO. | PRODUCT DESCRIPTION | LIST PRICE |
|-----------|---|------------|
| 7780-1 | Regular Arm, Low Profile Assembly, Non-Hold Open | \$100.00 |
| 7780-1MR | Main Arm and Adjusting Rod Assembly | \$89.00 |
| 7780-1TS | Tube and Shoe Assembly | \$38.00 |
| 7780-5 | Parallel Arm, Low Profile Assembly w/ 1618 Soffit, Non-Hold Open | \$100.00 |
| 7780-1MR | Main Arm and Adjusting Rod Assembly | \$89.00 |
| 7780-5TS | Tube and Soffit 1618 Assembly | \$38.00 |
| 7780-6 | Parallel Arm, Low Profile Assembly w/ 1618A Soffit, Non-Hold Open | \$100.00 |
| 7780-1MR | Main Arm and Adjusting Rod Assembly | \$89.00 |
| 7780-6TS | Tube and Shoe/Soffit Rod Assembly (1618A) | \$38.00 |
| 7780-25 | Low Profile, Non-Hold Open Tri-Style® Assembly (7581) | \$100.00 |
| 7780-26 | Low Profile, Non-Hold Open Tri-Style® Assembly (1680BC, 1681, 8081) | |
| 7701-AS | Arm Shoe Assembly | \$21.70 |
| 7701-HSS | Hold Open Set Screw | \$8.30 |
| 7701-HS | Hex Screw | \$1.10 |
| 7701-ES | Screw and Washer Assembly | \$8.80 |

MISCELLANEOUS PARTS - 1600BC, 1601, 7500, 8000, 9300BC

| MODEL NO. | PRODUCT DESCRIPTION | LIST PRICE |
|-----------|----------------------------------|------------|
| 1543R | Jackscrew - Right Hand | \$13.10 |
| 1543L | Jackscrew - Left Hand | |
| 455 | Locknut (holder loop to bracket) | \$12.20 |
| 1554 | Friction Disc (holder loop) | \$7.40 |
| 7701-HW | Hold Open Wrench | \$7.10 |

CLOSERPLUS®, CLOSERPLUS RAMP™, CLOSERPLUS SPRING™ ARMS - 1600BC, 1601, 7500, 8000, 9500

| MODEL NO. | PRODUCT DESCRIPTION | LIST PRICE |
|------------|--|------------|
| 6770-5 | CloserPlus® Arm Assembly, Non-Hold Open (1600BC, 1601, 7500, 8000) | \$174.00 |
| 6750R-8 | CloserPlus Ramp™ Arm assembly, Hold Open (7500, 8000) | \$239.00 |
| 6870T-8 | CloserPlus® Arm Assembly, Hold Open (1600BC, 1601, 7500, 8000) | |
| 6770P | Hole Plug (CLP or CPS Arms) | \$11.90 |
| 6770S | Removable Stop | |
| CPS6770-5 | CloserPlus® Spring™ Arm Assembly, Non-Hold Open (1600BC, 1601, 7500, 8000) | \$339.00 |
| CPS6870T-8 | CloserPlus® Spring™ Arm Assembly, Hold Open (1600BC, 1601, 7500, 8000) | \$406.00 |
| CPSK6770 | CloserPlus® Spring™ Kit (1600BC, 1601, 7500, 8000) | \$147.00 |
| 9770-5 | CloserPlus® Arm, Non-Hold Open (9500 Only) | \$120.00 |
| 9870T-8 | CloserPlus® Arm, Hold Open (9500 Only) | \$175.00 |

CUSHION STOP ARM 1600BC, 1601BC

| MODEL NO. | PRODUCT DESCRIPTION | LIST PRICE |
|-----------|---|------------|
| 7701-CA | Cushion Stop Arm Complete Assembly | \$168.00 |
| CAK7701 | Cushion Stop Arm Kit | \$41.30 |
| 6620-12 | Cushion Stop Arm Adjustment Tube & Shoe | \$151.00 |
| 7701-HS | Cushion Stop Arm Hex Screw | \$1.10 |

USA & Canada Prices Effective June 3, 2019

ASSA ABLOY

Norton and Rixson are brands associated with ASSA ABLOY Access and Egress Hardware Group, Inc., an ASSA ABLOY Group company. Copyright© 2002-2019, ASSA ABLOY Access and Egress Hardware Group, Inc. All rights reserved. Reproduction in whole or in part without the express written permission of ASSA ABLOY Access and Egress Hardware Group, Inc. is prohibited. Contact Norton: 877-974-2255 or visit www.nortondoorscontrols.com; Contact RIXSON: 800-457-5670 or visit www.rixson.com. In Canada contact us at: 800-461-3007 or visit www.assaabloydss.ca

RIGID ARMS - 1600BC, 1601, 7500, 8000, 9500

| MODEL NO. | PRODUCT DESCRIPTION | LIST PRICE |
|------------|--|------------|
| R7701-1 | Regular Rigid Arm (7500, 8000 Only) | \$152.00 |
| PR7701-5 | Parallel Rigid Arm, Non-Hold Open (1600BC, 1601, 7500, 8000) | \$130.00 |
| PR7701-8R | Parallel Rigid Arm, Hold Open, Right Hand (1600BC, 1601, 7500, 8000) | \$177.00 |
| PR7701-8L | Parallel Rigid Arm, Hold Open, Left Hand (1600BC, 1601, 7500, 8000) | |
| PRO7701-5 | Parallel Rigid Arm w/ Offset Soffit Plate, Non-Hold Open (7500, 8000 Only) | \$156.00 |
| PRO7701-8R | Parallel Rigid Arm w/ Offset Soffit Plate, Hold Open, Right Hand (7500, 8000 Only) | \$181.00 |
| PRO7701-8L | Parallel Rigid Arm w/ Offset Soffit Plate, Hold Open, Left Hand (7500, 8000 Only) | |
| R9501-1 | Regular Rigid Arm (9500 Only) | \$152.00 |
| PR9501-5 | Parallel Rigid Arm, Non-Hold Open (9500 Only) | \$150.00 |
| PR9501-8R | Parallel Rigid Arm, Friction Hold Open, Right Hand (9500 Only) | |
| PR9501-8L | Parallel Rigid Arm, Friction Hold Open, Left Hand (9500 Only) | \$145.00 |
| PRO9501-5 | Parallel Rigid Arm w/Offset Soffit Plate, Non-Hold Open (9500 Only) | |
| PRO9501-8R | Parallel Rigid Arm w/Offset Soffit Plate, Hold Open, Right Hand (9500 Only) | \$165.00 |
| PRO9501-8L | Parallel Rigid Arm w/Offset Soffit Plate, Hold Open, Left Hand (9500 Only) | |

ARM ASSEMBLIES - 1700

| MODEL NO. | PRODUCT DESCRIPTION | LIST PRICE |
|-----------|-----------------------------|------------|
| 1700-1 | Arm Assembly, Non-Hold Open | \$64.00 |
| 1700-3 | Arm Assembly, Hold Open | \$99.00 |

STAINLESS STEEL ARMS - 1601SS, 7500SS

| MODEL NO. | PRODUCT DESCRIPTION | LIST PRICE |
|-------------|---|------------|
| 7701SS-1 | Regular Arm Assembly (SS), Non-Hold Open | \$383.00 |
| 7701SS-1M | Main Arm Assembly (SS) | \$197.00 |
| 7701SS-111 | Secondary Arm Assembly (SS) | |
| 7701SS-1A | J Top Jamb Arm Assembly, Non-Hold Open | \$383.00 |
| 7701SS-1M | Main Arm Assembly (SS) | \$197.00 |
| 7701SS-121 | Secondary Arm Assembly (SS) | |
| ^7701SS-6 | Parallel Arm Assembly (SS), Non-Hold Open | \$383.00 |
| 7701SS-1M | Main Arm Assembly (SS) | \$197.00 |
| ^7701SS-116 | Secondary Arm Assembly (SS) | |
| 7701SS-AS | Arm Shoe Assembly | \$50.00 |
| 7701SS-ES | Screw and Washer Assembly | \$9.70 |

^1601SS and 7500SS only.

ASSA ABLOY

The global leader in door opening solutions

USA & Canada Prices Effective June 3, 2019

Norton and Rixson are brands associated with ASSA ABLOY Access and Egress Hardware Group, Inc., an ASSA ABLOY Group company. Copyright© 2002-2019, ASSA ABLOY Access and Egress Hardware Group, Inc. All rights reserved. Reproduction in whole or in part without the express written permission of ASSA ABLOY Access and Egress Hardware Group, Inc. is prohibited. Contact Norton: 877-974-2255 or visit www.nortondoorcontrols.com; Contact RIXSON: 800-457-5670 or visit www.rixson.com. In Canada contact us at: 800-461-3007 or visit www.assaabloydss.ca

SECURITY ARMS AND TRACK ASSEMBLIES - 7570

| MODEL NO. | PRODUCT DESCRIPTION | LIST PRICE |
|-------------|--|------------|
| *7771-1 | Regular Rigid Arm Assembly, Non-Hold Open | \$218.00 |
| *7771-5 | Parallel Rigid Arm Assembly, Non-Hold Open | \$241.00 |
| *CLP7771-5 | CloserPlus® Arm Assembly, Non-Hold Open | \$280.00 |
| *CLP7771-8T | CloserPlus® Arm Assembly, Hold Open | \$338.00 |
| *CPS7771-5 | CloserPlus Spring™ Arm Assembly, Non-Hold Open | \$430.00 |
| *CPS7771-8T | CloserPlus Spring™ Arm Assembly, Hold Open | \$489.00 |
| *7771ST-1A | Slide Track - Arm Only | \$141.00 |
| *7771ST-1T | Pull Side Slide Track Assembly, Non-Hold Open | \$247.00 |
| *7771ST-5T | Push Side Slide Track Assembly, Non-Hold Open | |
| 7740SLD | Assembly Pack | \$95.00 |

*Furnished standard with Torx® security screws. Sex Nuts not included.

UNITROL® ARMS - 1600BC, 1601, 7500, 8000

| MODEL NO. | PRODUCT DESCRIPTION | LIST PRICE |
|-----------|--|------------|
| 6100-11 | Arm Assembly, Non-Hold Open, Door Width 28" to 32" | \$364.00 |
| 6100-13 | Arm Assembly, Non-Hold Open, Door Width 33" to 41" | |
| 6100-14 | Arm Assembly, Non-Hold Open, Door Width 42" to 48" | |
| 6100-1 | Arm Assembly, Hold Open, Door Width 28" to 32" | \$460.00 |
| 6100-3 | Arm Assembly, Hold Open, Door Width 33" to 41" | |
| 6100-4 | Arm Assembly, Hold Open, Door Width 42" to 48" | |

UNITROL® ARMS - 7570 SECURITY

| MODEL NO. | PRODUCT DESCRIPTION | LIST PRICE |
|-----------|--|------------|
| 6100-11 | Arm Assembly, Non-Hold Open, Door Width 28" to 32" | \$364.00 |
| 6100-13 | Arm Assembly, Non-Hold Open, Door Width 33" to 41" | |
| 6100-14 | Arm Assembly, Non-Hold Open, Door Width 42" to 48" | |

UNITROL® ARMS - 9500

| MODEL NO. | PRODUCT DESCRIPTION | LIST PRICE |
|-----------|--|------------|
| 9100-11 | Arm Assembly, Non-Hold Open, Door Width 28" to 32" | \$364.00 |
| 9100-13 | Arm Assembly, Non-Hold Open, Door Width 33" to 41" | |
| 9100-14 | Arm Assembly, Non-Hold Open, Door Width 42" to 48" | |
| 9100-1 | Arm Assembly, Hold Open, Door Width 28" to 32" | \$460.00 |
| 9100-3 | Arm Assembly, Hold Open, Door Width 33" to 41" | |
| 9100-4 | Arm Assembly, Hold Open, Door Width 42" to 48" | |

UNITROL® ARMS - 78B/F

| MODEL NO. | PRODUCT DESCRIPTION | LIST PRICE |
|-----------|--|------------|
| 6130-17 | Arm Assembly, Non-Hold Open, Door Width 28" to 32" | \$364.00 |
| 6130-18 | Arm Assembly, Non-Hold Open, Door Width 33" to 41" | |
| 6130-19 | Arm Assembly, Non-Hold Open, Door Width 42" to 48" | |
| 6130-7 | Arm Assembly, Hold Open, Door Width 28" to 32" | \$460.00 |
| 6130-8 | Arm Assembly, Hold Open, Door Width 33" to 41" | |
| 6130-9 | Arm Assembly, Hold Open, Door Width 42" to 48" | |

USA & Canada Prices Effective June 3, 2019

ASSA ABLOY

Norton and Rixson are brands associated with ASSA ABLOY Access and Egress Hardware Group, Inc., an ASSA ABLOY Group company. Copyright© 2002-2019, ASSA ABLOY Access and Egress Hardware Group, Inc. All rights reserved. Reproduction in whole or in part without the express written permission of ASSA ABLOY Access and Egress Hardware Group, Inc. is prohibited. Contact Norton: 877-974-2255 or visit www.nortondoorsolutions.com; Contact RIXSON: 800-457-5670 or visit www.rixson.com. In Canada contact us at: 800-461-3007 or visit www.assaabloydss.ca

The global leader in door opening solutions

TOP JAMB UNITROL® ARMS - 1600BC, 1601, 7500, 8000

| MODEL NO. | PRODUCT DESCRIPTION | LIST PRICE |
|-----------|---|------------|
| J6100-4 | Arm Assembly, Non-Hold Open, Frame Reveals 2-1/8" to 3-1/4" | \$406.00 |
| J6200-4 | Arm Assembly, Non-Hold Open, Frame Reveals 1/2" to 2" | |
| J6400-4 | Arm Assembly, Non-Hold Open, Frame Reveals 3-3/8" to 4-1/4" | |
| J6500-41 | Arm Assembly, Non-Hold Open, Frame Reveals 4-3/8" to 5-3/8" | |
| J6500-42 | Arm Assembly, Non-Hold Open, Frame Reveals 5-1/2" to 6-3/8" | |
| J6500-43 | Arm Assembly, Non-Hold Open, Frame Reveals 6-1/2" to 7-3/8" | |
| J6600-4 | Arm Assembly, Non-Hold Open, Frame Reveals 0" to 3/8" | \$517.00 |
| J6100-7 | Arm Assembly, Hold Open, Frame Reveals 2-1/8" to 3-1/4" | |
| J6200-7 | Arm Assembly, Hold Open, Frame Reveals 1/2" to 2" | |
| J6400-7 | Arm Assembly, Hold Open, Frame Reveals 3-3/8" to 4-1/4" | |
| J6500-71 | Arm Assembly, Hold Open, Frame Reveals 4-3/8" to 5-3/8" | |
| J6500-72 | Arm Assembly, Hold Open, Frame Reveals 5-1/2" to 6-3/8" | |
| J6500-73 | Arm Assembly, Hold Open, Frame Reveals 6-1/2" to 7-3/8" | |
| J6600-7 | Arm Assembly, Hold Open, Frame Reveals 0" to 3/8" | |

SLIDE TRACKS (INCLUDING STP) - 7500ST, 8000ST

| MODEL NO. | PRODUCT DESCRIPTION | LIST PRICE |
|--------------|--|------------|
| 7701ST-1T | Pull Side Slide Track Assembly, Non-Hold Open | \$191.00 |
| 7701ST-5T | Push Side Slide Track Assembly, Non-Hold Open | |
| 7701ST-1T180 | Pull Side Slide Track Assembly, Non-Hold Open 180° | |
| 7701ST-3T | Pull Side Slide Track Assembly, Hold Open | \$288.00 |
| 7701ST-8T | Push Side Slide Track Assembly, Hold Open | |
| 7701ST-1A | Arm Assembly (all except STP) | \$105.00 |
| 7701STP-1A | Arm Assembly (STP only) | |
| 7700STEC | End Cap (2 required) | \$7.40 |
| 7700SLD | Slider Assembly | \$101.00 |
| 7700ASR | Retaining Ring | \$3.40 |
| 7700AS | Arm Stud | \$7.00 |
| 7700ASC | Arm Stud Clip | \$9.00 |
| 7701PT-DE-1R | Double Egress Arm Assembly, Right Hand | \$191.00 |
| 7701PT-DE-1L | Double Egress Arm Assembly, Left Hand | |
| 7701ST-1ATR | Double Egress Arm Tube Assembly, Right Hand | \$139.00 |
| 7701ST-1ATL | Double Egress Arm Tube Assembly, Left Hand | |
| 7701ST-1AT | Arm Tube Assembly (all except STP) | \$56.00 |
| 7701ST-1AR | Adjusting Rod Assembly (all units) | |
| 7701STP-1AT | Arm Tube Assembly (STP only) | |
| 7700ALAS | Arm Length Adjusting Screw | \$6.80 |

LOW PROFILE SLIDE TRACKS - 7540, 8041, 8051

| MODEL NO. | PRODUCT DESCRIPTION | LIST PRICE |
|------------|---|------------|
| 7740ST-1T | Pull Side Slide Track Assembly, Non-Hold Open | \$191.00 |
| 7740ST-5T | Push Side Slide Track Assembly, Non-Hold Open | |
| 7740ST-3T | Pull Side Slide Track Assembly, Hold Open | \$243.00 |
| 7740ST-8T | Push Side Slide Track Assembly, Hold Open | |
| 7740ST-1A | Arm Assembly | \$105.00 |
| 7740SLD | Slider Assembly, Non-Hold Open | \$95.00 |
| 7740HSLD | Slider Assembly, Hold Open | \$139.00 |
| 7701ST-1AT | Arm Tube Assembly | \$56.00 |
| 7740ST-1AR | Adjusting Rod Assembly | |

SLIDE TRACKS ASSEMBLIES & PARTS - 9500

| MODEL NO. | PRODUCT DESCRIPTION | LIST PRICE |
|-----------|--|------------|
| 9501ST-1T | Pull Side Track (Non-Hold Open) | \$191.00 |
| 9501ST-5T | Push Side Track and Arm Assembly (Non-Hold Open) | |
| 9501ST-3T | Pull Side Track (Hold Open) | \$288.00 |
| 9501ST-8T | Push Side Track and Arm Assembly (Hold Open) | |
| 9501ST-1A | Push or Pull Side Arm (Non-Hold Open or Hold Open) | \$105.00 |

ARM ASSEMBLIES - 78-B/F

| MODEL NO. | PRODUCT DESCRIPTION | LIST PRICE |
|-----------|---|------------|
| B/F-1 | Regular Arm Assembly, Non-Hold Open | \$100.00 |
| B/F-1M | Main Arm | \$54.00 |
| B/F-1W | Main Arm Less Rod and Shoe | \$89.00 |
| B/F-11 | Rod and Shoe | \$38.00 |
| B/F-3 | Regular Arm Assembly, Hold Open 90° to 180° | \$146.00 |
| B/F-1M | Main Arm | \$54.00 |
| B/F-3W | Main Arm Less Holder Shoe and Loop | \$89.00 |
| B/F-13 | Holder Shoe and Loop | \$57.00 |
| B/F-5 | Parallel Arm Assembly, Non-Hold Open | \$100.00 |
| B/F-1M | Main Arm | \$54.00 |
| B/F-5W | Main Arm Less Rod and Soffit Plate | \$89.00 |
| B/F-15 | Rod and Soffit Plate | \$38.00 |
| *B/F-8 | Parallel Arm Assembly, Hold Open 90° to 180°, Specify Hand | \$146.00 |
| B/F-1M | Main Arm | \$54.00 |
| B/F-8W | Main Arm and Rod Less Soffit Plate and Holder Loop Assembly | \$89.00 |
| B/F-18 | *Soffit Plate Holder and Loop Assembly | \$85.00 |
| 78PRA-5 | Parallel Rigid Arm Assembly, Non-Hold Open | \$162.00 |
| 78PRA-8R | Parallel Rigid Arm Assembly, Hold Open (Right Hand) | \$179.00 |
| 78PRA-8L | Parallel Rigid Arm Assembly, Hold Open (Left Hand) | |
| 7701-HS | Hex Screw and Washer Assembly | \$1.10 |
| 7701-HSS | Square Head Set Screw | \$8.30 |
| 7701-ES | Elbow Screw | \$8.80 |

*Specify Hand.

USA & Canada Prices Effective June 3, 2019

ASSA ABLOY

The global leader in door opening solutions

Norton and Rixson are brands associated with ASSA ABLOY Access and Egress Hardware Group, Inc., an ASSA ABLOY Group company. Copyright© 2002-2019, ASSA ABLOY Access and Egress Hardware Group, Inc. All rights reserved. Reproduction in whole or in part without the express written permission of ASSA ABLOY Access and Egress Hardware Group, Inc. is prohibited. Contact Norton: 877-974-2255 or visit www.nortondoорcontrols.com; Contact RIXSON: 800-457-5670 or visit www.rixson.com. In Canada contact us at: 800-461-3007 or visit www.assaabloydss.ca

PARTS - 78-B/F

| MODEL NO. | PRODUCT DESCRIPTION | LIST PRICE |
|-----------|------------------------------|------------------------|
| 24BD | B/D Spring | \$149.00 |
| 56EF | E/F Spring | \$166.00 |
| 230BC | Spring (prior to 1978 model) | \$527.00 |
| 230D | | \$324.00 |
| 230EF | | \$240.00 |
| 1543R | | Jackscrew - Right Hand |
| 1543L | Jackscrew - Left Hand | |
| 455 | Locknut | \$12.20 |
| 1554 | Friction Disc | \$7.40 |
| 78-SW | Spanner Wrench | \$18.00 |

ARM ASSEMBLIES AND PARTS - 7900

| MODEL NO. | PRODUCT DESCRIPTION | LIST PRICE |
|-----------|---|------------|
| 7900PK | Dress Plate Kit | \$88.00 |
| 7950-1L | Arm Assembly, Non-Hold Open, Left Hand | \$140.00 |
| 7950-1R | Arm Assembly, Non-Hold Open, Right Hand | |
| 7950-3 | Arm Assembly, Hold Open | |
| 7950ST | Track Assembly, Non-Hold Open | \$250.00 |
| 7950STH | Track Assembly, Hold Open | |
| 7900SLD | Non-Hold Open Slider | \$106.00 |
| 7950SLD | Hold Open Slider | |
| 7900SP | Complete Screw Pack | \$24.70 |
| 7950H | Hold Open Assembly | \$105.00 |

ARM ASSEMBLIES AND PARTS - 7970 SECURITY

| MODEL NO. | PRODUCT DESCRIPTION | LIST PRICE |
|-----------|-----------------------------------|------------|
| 7970PK | Security Dress Plate Kit | \$96.00 |
| 7970-1L | Security Arm Assembly, Left Hand | \$143.00 |
| 7970-1R | Security Arm Assembly, Right Hand | |
| 7970ST | Security Track Assembly | \$258.00 |
| 7970SLD | Slider | \$106.00 |
| 7970SP | Complete Screw Pack | \$56.60 |
| 70TK | Torx® Tool Kit | \$181.00 |

SLIDE TRACK ASSEMBLIES AND PARTS - 2800ST

| MODEL NO. | PRODUCT DESCRIPTION | LIST PRICE |
|-----------|---|------------|
| 28ST-IT | Pull Side Slide Track & Arm Assembly, Non-Hold Open | \$191.00 |
| 28ST-3T | Pull Side Slide Track & Arm Assembly, Hold Open | \$288.00 |
| 28ST-5T | Push Side Slide Track & Arm Assembly, Non-Hold Open | \$191.00 |
| 28ST-8T | Push Side Slide Track & Arm Assembly, Hold Open | \$288.00 |
| 2800LAP | Closer Body Only | \$428.00 |
| SP2800B | Closer Screw Pack | \$11.00 |
| SP2800S | Spline Screw Pack | \$27.70 |
| SP28T | Track Screw Pack | \$14.80 |
| 2800P | Plastic Cover | \$39.00 |
| 28STHO | Hold Open Assembly | \$46.50 |
| 28STPB | Stop Mount Track Angle Bracket | \$49.20 |

ASSA ABLOY

The global leader in door opening solutions

USA & Canada Prices Effective June 3, 2019

Norton and Rixson are brands associated with ASSA ABLOY Access and Egress Hardware Group, Inc., an ASSA ABLOY Group company. Copyright© 2002-2019, ASSA ABLOY Access and Egress Hardware Group, Inc. All rights reserved. Reproduction in whole or in part without the express written permission of ASSA ABLOY Access and Egress Hardware Group, Inc. is prohibited. Contact Norton: 877-974-2255 or visit www.nortondoorcontrols.com; Contact RIXSON: 800-457-5670 or visit www.rixson.com. In Canada contact us at: 800-461-3007 or visit www.assaabloydss.ca

MOTOR AND MAIN ARM ASSEMBLIES - 5600

| MODEL NO. | PRODUCT DESCRIPTION | LIST PRICE |
|-----------|-----------------------------------|------------|
| 5610M | Motor and Main Arm Assembly | \$1,125.00 |
| 5630M | Motor, Main Arm and Tube Assembly | |

PARTS - 5600

| MODEL NO. | PRODUCT DESCRIPTION | LIST PRICE |
|-----------|---------------------|------------|
| 5600IN | Inverter | \$633.00 |
| 5700M | Motor Assembly | \$1,037.00 |
| 5600SP | Screw Pack | \$25.00 |
| 5600COV | Cover | \$100.00 |
| 5600PS | Power Supply | \$106.00 |
| 5700PC | Power Cord | \$22.00 |

ARM AND TRACK ASSEMBLIES - 5700

| MODEL NO. | PRODUCT DESCRIPTION | LIST PRICE |
|-----------|-------------------------------|------------|
| 5710-1 | Arm and Track Assembly (Pull) | \$298.00 |
| 7701ST-1A | Arm Assembly | \$105.00 |
| 7200-1T | Track Assembly | \$209.00 |
| 7701-1A | Arm Assembly (Push) | \$100.00 |
| 7701-1W | Main Arm and Rod | \$89.00 |
| 7701-11A | Adjusting Tube and Shoe | \$38.00 |

PARTS - 5700

| MODEL NO. | PRODUCT DESCRIPTION | LIST PRICE |
|-----------|-----------------------------------|------------|
| 1601LAP | Closer Body, Size 1-6 | \$185.00 |
| 5700C | Chain | \$21.00 |
| 5700M | Motor Assembly | \$1,037.00 |
| 5700IN | Inverter | \$633.00 |
| 5700DPA | Door Position Adjustment Assembly | \$97.00 |
| 5700CVR | Cover | \$100.00 |
| 5700SW | On/Off Switch | \$5.90 |
| 5700RS | Reed Switch | \$21.00 |
| 5700PWS | RF Power Supply | \$106.00 |
| 5700PC | Power Cord | \$22.00 |

UNIT SUB-ASSEMBLIES - 6000

| MODEL NO. | PRODUCT DESCRIPTION | LIST PRICE |
|-----------|--|------------|
| 6011LAP | Unit Sub-Assembly (6011, 6051) | \$2,874.00 |
| 6021LAP | Unit Sub-Assembly (6021, 6031, 6061, 6071) | |
| H6010LAP | Unit Sub-Assembly (6010, 6050) | |
| H6020LAP | Unit Sub-Assembly (6020, 6030, 6060, 6070) | |

ARM AND TRACK ASSEMBLIES - 6000

| MODEL NO. | PRODUCT DESCRIPTION | LIST PRICE |
|-----------|-------------------------------------|------------|
| 6610-1 | Arm and Track Assembly (6010, 6011) | \$313.00 |
| 7210-1A | Arm Assembly | \$163.00 |
| 7200-1T | Track Assembly | \$209.00 |
| 6020-1 | Arm Assembly (6020, 6021) | \$336.00 |
| 6020-1W | Main Arm and Rod | \$174.00 |
| 6620-12 | Adjusting Tube and Shoe | \$151.00 |

Continued on next page

USA & Canada Prices Effective June 3, 2019 – Revised 06/06/19

ASSA ABLOY

The global leader in door opening solutions

Norton and Rixson are brands associated with ASSA ABLOY Access and Egress Hardware Group, Inc., an ASSA ABLOY Group company. Copyright© 2002-2019, ASSA ABLOY Access and Egress Hardware Group, Inc. All rights reserved. Reproduction in whole or in part without the express written permission of ASSA ABLOY Access and Egress Hardware Group, Inc. is prohibited. Contact Norton: 877-974-2255 or visit www.nortondoorscontrols.com; Contact RIXSON: 800-457-5670 or visit www.rixson.com. In Canada contact us at: 800-461-3007 or visit www.assaabloydss.ca

ARM AND TRACK ASSEMBLIES - 6000 (CONTINUED)

| MODEL NO. | PRODUCT DESCRIPTION | LIST PRICE |
|-----------|---|------------|
| 6030-1 | Arm Assembly (6030, 6031) | \$319.00 |
| 6030-1W | Main Arm and Rod | \$164.00 |
| 6620-12 | Adjusting Tube and Shoe | \$151.00 |
| 6050-1L | Arm and Track Assembly , Left Hand (6050, 6051) | \$509.00 |
| 7250-1L | Arm Assembly Left Hand | \$354.00 |
| 7200-1T | Track Assembly | \$209.00 |
| 6050-1R | Arm and Track Assembly, Right Hand (6050, 6051) | \$509.00 |
| 7250-1R | Arm Assembly Right Hand | \$354.00 |
| 7200-1T | Track Assembly | \$209.00 |
| 6660-1 | Arm Assembly (6060, 6061) | \$364.00 |
| 6660-11 | Rod and Snubber Assembly | \$164.00 |
| 6670-1 | Arm Assembly (6070, 6071) | \$364.00 |
| 6670-11 | Rod and Snubber Assembly | \$164.00 |

PARTS - 6000 (MODELS ENDING IN "1" i.e. 6011, 6031, etc.)

| MODEL NO. | PRODUCT DESCRIPTION | LIST PRICE |
|---------------|---|------------|
| 6001COV | Cover - Single | \$193.00 |
| D6001COV-36 | Cover - Double 36" | \$238.00 |
| D6001COV-42 | Cover - Double 42" | |
| D6001COV-48 | Cover - Double 48" | |
| 6001BP | Back Plate - Single | |
| D6001BP-36-LH | Back Plate - Double 36" - Left Hand | \$215.00 |
| D6001BP-36-RH | Back Plate - Double 36" - Right Hand | |
| D6001BP-42-LH | Back Plate - Double 42" - Left Hand | |
| D6001BP-42-RH | Back Plate - Double 42" - Right Hand | |
| D6001BP-48-LH | Back Plate - Double 48" - Left Hand | \$340.00 |
| D6001BP-48-RH | Back Plate - Double 48" - Right Hand | |
| 6001DAB | Drop Angle Bracket - Single 36" | \$193.00 |
| 6001DAB2 | Drop Angle Bracket - Single 42" and 48" | |
| D6001DAB-36 | Drop Angle Bracket - Double 36" | |
| D6001DAB-42 | Drop Angle Bracket - Double 42" | |
| D6001DAB-48 | Drop Angle Bracket - Double 48" | \$216.00 |
| 6001PM | Power Module Sub-Assembly | |
| 6001ENLH | End Cap - Left Hand | |
| 6001ENRH | End Cap - Right Hand | |
| 6001U | Union - Single | \$214.00 |
| D6001U | Union - Double | \$256.00 |
| 6001US | Union Spacer | \$14.00 |
| 6001CON | Conduit Assembly - Single | \$142.00 |
| D6001CON | Conduit Assembly - Double | \$158.00 |
| 6000IN | Inverter | \$1,210.00 |
| 5700SW | On/Off Switch | \$5.90 |
| 6000CB | Circuit Breaker | \$41.40 |
| 6000SUP | Power Supply | \$204.00 |
| 7500LAP | 7500 Closer Body | \$407.00 |
| 6000MS | Motor Support | \$134.00 |
| 6001SK | Shim Kit | \$29.00 |
| 6001SC-1 | Screw Pack - Back Plate | \$16.00 |
| 6001SC-2 | Screw Pack - Standard | \$46.00 |

USA & Canada Prices Effective June 3, 2019 – Revised 06/06/19

ASSA ABLOY

The global leader in
door opening solutions

Norton and Rixson are brands associated with ASSA ABLOY Access and Egress Hardware Group, Inc., an ASSA ABLOY Group company. Copyright© 2002-2019, ASSA ABLOY Access and Egress Hardware Group, Inc. All rights reserved. Reproduction in whole or in part without the express written permission of ASSA ABLOY Access and Egress Hardware Group, Inc. is prohibited. Contact Norton: 877-974-2255 or visit www.nortondoortracks.com; Contact RIXSON: 800-457-5670 or visit www.rixson.com. In Canada contact us at: 800-461-3007 or visit www.assaabloydss.ca

PARTS – 6000 (MODELS ENDING IN "0" ONLY; i.e. 6010, 6030, etc.)

| MODEL NO. | PRODUCT DESCRIPTION | LIST PRICE |
|------------|---------------------------------|------------|
| 6000IN | Inverter | \$1,210.00 |
| H6000COV | Cover | \$193.00 |
| 5700SW | On/Off Switch | \$5.90 |
| 6000DAB | Drop Angle Bracket | \$146.00 |
| 6000DAB180 | Drop Angle Bracket - 180° Swing | |
| 6000CB | Circuit Breaker | \$41.40 |
| 6000SUP | Power Supply | \$204.00 |
| 6000SEC | Security Plate Pack | \$146.00 |
| 6000SFB | Aluminum Storefront Bracket | |
| SP6000 | Screw Pack | \$47.70 |

ARM AND TRACK ASSEMBLIES - 6300

| MODEL NO. | PRODUCT DESCRIPTION | LIST PRICE |
|-----------|--|------------|
| 6310-1 | Arm and Track Assembly (6311, 6312) | \$313.00 |
| 6310-1W | Arm Assembly | \$163.00 |
| 7100-1T | Track Assembly | \$209.00 |
| 6330-1 | Arm Assembly (6331, 6332) | \$319.00 |
| 6330-1W | Main Arm and Rod | \$164.00 |
| 6620-12 | Adjusting Tube and Shoe | \$151.00 |
| 6350-1L | Double Egress Arm, Left Hand (6351, 6352) | \$509.00 |
| 6350-1LW | Arm Assembly, Left Hand | \$354.00 |
| 7100-1T | Track Assembly | \$209.00 |
| 6350-1R | Double Egress Arm, Right Hand (6351, 6352) | \$509.00 |
| 6350-1RW | Arm Assembly, Right Hand | \$354.00 |
| 7100-1T | Track Assembly | \$209.00 |

PARTS - 6300

| MODEL NO. | PRODUCT DESCRIPTION | LIST PRICE |
|-----------|--------------------------------|------------|
| 6300END | End Cap Kit | \$272.00 |
| 6300SP | Screw Pack | \$54.30 |
| 6300COV | Cover (6312, 6332, 6342, 6352) | \$193.00 |
| 6300CM2 | Power Supply/Board Assembly | \$1,074.00 |
| 6300CAB2 | Cable Kit | \$119.00 |
| 6300COV2 | Cover (6311, 6331, 6341, 6351) | \$193.00 |

UNIT SUB-ASSEMBLIES - 6300

| MODEL NO. | PRODUCT DESCRIPTION | LIST PRICE |
|-----------|--|------------|
| 6300LAP | Pull or Push Sub-Assembly (All Models) | \$4,121.00 |

CLOSER BODIES - SAFEZONE®

| MODEL NO. | PRODUCT DESCRIPTION | LIST PRICE |
|-------------|---|------------|
| 720XLAPS24L | Closer Body, 24V, Selective Hold Open, Left Hand | \$937.00 |
| 720XLAPS24R | Closer Body, 24V, Selective Hold Open, Right Hand | |

Note: "X" in part number - specify closer size.

SLIDE TRACKS AND ARM ASSEMBLIES - SAFEZONE®

| MODEL NO. | PRODUCT DESCRIPTION | LIST PRICE |
|-----------|--|------------|
| 7100-1T | Slide Track (7110SZ, 7150SZ) | \$209.00 |
| 7110-1A | Slide Arm (7110SZ) | \$163.00 |
| 7150-1R | Double Egress Arm - Right Hand (7150SZ) | \$354.00 |
| 7150-1L | Double Egress Arm - Left Hand (7150SZ) | |
| 7701-1A | Double Lever Arm (7120SZ) | \$100.00 |
| 7701-1B | Double Lever Arm (7130SZ) | |
| 7100SLD | Slider Assembly (part of slide track assembly) | \$101.00 |
| 7100CB | Cushion Block | \$69.00 |

COVERS - SAFEZONE®

| MODEL NO. | PRODUCT DESCRIPTION | LIST PRICE |
|-----------|---------------------|------------|
| 7100CL | Left Hand | \$432.00 |
| 7100CR | Right Hand | |

PARTS - SAFEZONE®

| MODEL NO. | PRODUCT DESCRIPTION | LIST PRICE |
|-----------|--------------------------|------------|
| 7100SK | Sensor Kit | \$477.00 |
| 7100PS | Power Supply (120V only) | \$193.00 |
| 7100REM | Remote | \$64.00 |

CLOSER BODIES - 7200

| MODEL NO. | PRODUCT DESCRIPTION | LIST PRICE |
|-------------|---|------------|
| 720XLAPS24L | Closer/Holder Assembly, 24V, Left Hand | \$937.00 |
| 720XLAPS24R | Closer/Holder Assembly, 24V, Right Hand | |

Note: "X" in part number - specify closer size.

SLIDE TRACKS AND ARM ASSEMBLIES - 7200

| MODEL NO. | PRODUCT DESCRIPTION | LIST PRICE |
|-----------|--|------------|
| 7100-1T | Slide Track for 7210, 7240, 7250 | \$209.00 |
| 7110-1A | Slide Arm for 7210 | \$163.00 |
| 7140-1A | Connected Free Swing Arm Assembly for 7240 | \$257.00 |
| 7150-1R | Double Egress Arm, Right Hand for 7250 | \$354.00 |
| 7150-1L | Double Egress Arm, Left Hand for 7250 | |
| 7701-1A | Double Lever Arm for 7220 | \$100.00 |
| 7701-1B | Double Lever Arm for 7230 | |
| 7950-1L | Arm Assembly, Non-Hold Open, Left Hand - 7290 | \$140.00 |
| 7950-1R | Arm Assembly, Non-Hold Open, Right Hand - 7290 | |
| 7950ST | Track Assembly, Non-Hold Open - 7290 | \$250.00 |

SLIDE TRACK AND ARM PARTS - 7200

| MODEL NO. | PRODUCT DESCRIPTION | LIST PRICE |
|-----------|---|------------|
| 7100CB | Cushion Block (part of slider assembly) | \$69.00 |
| 7240SP | Screw Pack for CFS Arm | \$75.00 |

PARTS - 7200

| MODEL NO. | PRODUCT DESCRIPTION | LIST PRICE |
|-----------|---|------------|
| MPDOSD24 | Smoke Detector Board | \$507.00 |
| MPSOCOV | Cover (Slave/Support Unit) | \$127.00 |
| MPDOCOV | Cover (Master Unit) | \$147.00 |
| SHOK | Selective Hold Open Switch Assembly 24V | \$112.00 |
| SHO | Switch 24V | \$108.00 |

TRACK ASSEMBLIES - POWER TRACK®

| MODEL NO. | PRODUCT DESCRIPTION | LIST PRICE |
|-----------|--|------------|
| PTO24 | Hinge Side Track, Master or Support, 24V | \$405.00 |
| PPTO24 | Stop Side Track, Master or Support, 24V | |

Note: Master or Support Unit Assemblies include track, slider assembly and solenoid block assembly. Hook-up box not included.

TRACK PARTS - POWER TRACK®

| MODEL NO. | PRODUCT DESCRIPTION | LIST PRICE |
|-----------|--|------------|
| 7700SLD | Slider Assembly | \$101.00 |
| 7700ASC | Slider Arm Stud Clip (included in slider assembly) | \$9.00 |
| 7700STEC | Track Assembly End Cap | \$7.40 |
| PT24SOL | Solenoid Block Assembly 24V | \$274.00 |

ARM ASSEMBLIES - POWER TRACK®

| MODEL NO. | PRODUCT DESCRIPTION | LIST PRICE |
|--------------|---|------------|
| 7701ST-1A | Standard Arm Assembly | \$105.00 |
| 7701ST-1AT | Adjusting Head and Tube Assembly | \$56.00 |
| 7701ST-1AR | Adjusting Rod Assembly | |
| 7701PT-DE-1R | Double Egress Arm Assembly, Right Hand | \$191.00 |
| 7701PT-DE-1L | Double Egress Arm Assembly, Left Hand | |
| 7701ST-1ATR | Double Egress Adjusting Arm and Tube Assembly, Right Hand | \$139.00 |
| 7701ST-1ATL | Double Egress Adjusting Head and Tube Assembly, Left Hand | |
| 7700AS | Arm Stud | \$7.00 |
| 7700ASR | Retaining Ring | \$3.40 |
| 7700ALAS | Arm Length Adjusting Screw | \$6.80 |

HOOK-UP BOXES AND PARTS - POWER TRACK®

| MODEL NO. | PRODUCT DESCRIPTION | LIST PRICE |
|------------|---|------------|
| PTOHB24 | Hook-Up Box Support Unit, 24V, Hinge Side | \$341.00 |
| PTOHB120 | Hook-Up Box Support Unit, 120V, Hinge Side | |
| PTDOHB24 | Hook-Up Box Master Unit, 24V, Hinge Side | \$923.00 |
| PTDOHB120 | Hook-Up Box Master Unit, 120V, Hinge Side | |
| PPTOHB24 | Hook-Up Box Support Unit, 24V, Stop Side | \$324.00 |
| PPTOHB120 | Hook-Up Box Support Unit, 120V, Stop Side | |
| PPTDOHB24 | Hook-Up Box Master Unit, 24V, Stop Side | \$912.00 |
| PPTDOHB120 | Hook-Up Box Master Unit, 120V, Stop Side | |
| PTO125V | Fuse | \$18.60 |
| PTDOHBCOV | Hook-Up Box Cover Kit (includes cover and screws), Master Unit | \$99.00 |
| PTOHBCOV | Hook-Up Box Cover Kit (includes cover and screws), Support Unit | \$68.00 |
| PTOPCB24 | Hook-Up Board, 24V, Master, Support or Slave Units | \$160.00 |
| PTOPCB120 | Hook-Up Board, 120V, Master or Support Units | |
| MPDOSD24 | Smoke Detector Board | \$507.00 |
| P7700PB | Push Side Hook-Up Box Plug Button | \$9.00 |
| PT24SOL | Solenoid Block Assembly (24V) | \$274.00 |

Note: Specify finish on all hook-up boxes. Specify finish on smoke detector cover.

ASSA ABLOY

The global leader in door opening solutions

USA & Canada Prices Effective June 3, 2019

Norton and Rixson are brands associated with ASSA ABLOY Access and Egress Hardware Group, Inc., an ASSA ABLOY Group company. Copyright© 2002-2019, ASSA ABLOY Access and Egress Hardware Group, Inc. All rights reserved. Reproduction in whole or in part without the express written permission of ASSA ABLOY Access and Egress Hardware Group, Inc. is prohibited. Contact Norton: 877-974-2255 or visit www.nortondoortcontrols.com; Contact RIXSON: 800-457-5670 or visit www.rixson.com. In Canada contact us at: 800-461-3007 or visit www.assaabloydss.ca

RIXSON

Price List

USA and Canada Prices Effective June 3, 2019

USA & Canada Prices Effective June 3, 2019

Service Center Business Hours

ASSA ABLOY Door Security Solutions

Customer Service – Monroe

8:00 a.m. – 4:30 p.m. (Eastern)
1902 Airport Road
Monroe, NC 28110
Telephone Number: (800) 457-5670
Fax Number: (800) 221-0489

ASSA ABLOY Door Security Solutions Canada

Customer Service – Vaughan

8:00 a.m. – 4:30 p.m. (Eastern)
160 Four Valley Drive
Vaughan ON L4K 4T9
Telephone Number: (800) 461-3007
Fax Number: (800) 461-8989

ASSA ABLOY Door Security Solutions

Customer Service – West

5678 Concours Street
Ontario, CA 91764
Tel: 909-593-2100
Fax: 909-593-2500

Rixson TPS

8:00 a.m. – 4:30 p.m. (Eastern)
Telephone Number: (866) 474-9766

Holiday Schedule*

ASSA ABLOY Door Security Solutions Customer Service Center, Monroe, NC, and Rixson TPS, will be **CLOSED** on the following holidays:

2018 in USA

January 1
April 19
May 27
July 4
September 2
September 27, 28 – INVENTORY
November 28, 29
December 24, 25

*Dates subject to change.

2019 in Canada

January 1: New Year's Day
January 24 : Inventory
February 18: Family Day
April 19: Good Friday
May 20: Victoria Day
July 1: Canada Day
August 5: Civic Holiday
September 3: Labor Day
October 14: Thanksgiving
December 25: Christmas Day
December 26: Boxing Day

ORDERING PROTOCOL

Please submit Quick Ship Program Items and Factory Items on separate purchase orders.

If you have a Quote, please include the quote number on the purchase order. Orders without this information may be delayed.

Check all acknowledgements for accuracy.

Visit our website at www.rixson.com for current product information.

ASSA ABLOY

The global leader in
door opening solutions

USA & Canada Prices Effective June 3, 2019

Norton and Rixson are brands associated with ASSA ABLOY Access and Egress Hardware Group, Inc., an ASSA ABLOY Group company.
Copyright© 2002-2019, ASSA ABLOY Access and Egress Hardware Group, Inc. All rights reserved. Reproduction in whole or in part
without the express written permission of ASSA ABLOY Access and Egress Hardware Group, Inc. is prohibited.
Contact Norton: 877-974-2255 or visit www.nortondoorscontrols.com; Contact RIXSON: 800-457-5670 or visit www.rixson.com.
In Canada contact us at: 800-461-3007 or visit www.assaabloydss.ca

Trademark Use Policy: ASSA ABLOY Americas

The following policy (“Policy”) of ASSA ABLOY Americas (“ASSA ABLOY”), and all of its affiliated group companies (collectively, the “Group Companies”), applies to the use of certain intellectual property of all such Group Companies, including all trademarks, names, logos, product images, and related information (the “ASSA ABLOY Marks”). ASSA ABLOY Marks are proprietary and critical to the success of ASSA ABLOY and the Group Companies, and may only be used in strict compliance with this Policy.

This Policy covers any person or entity reselling any product of any Group Company with the consent of such Group Company (each, an “Approved Reseller”). Each Approved Reseller has a non-exclusive right to use certain of the ASSA ABLOY Marks relating to any of the Group Companies for which it is an Approved Reseller, subject to the following conditions:

- (1) Approved Reseller’s use of ASSA ABLOY Marks must be truthful, fair, and not misleading;
- (2) Approved Reseller’s advertising must clearly indicate that it is advertising of the Approved Reseller, and is not advertising of ASSA ABLOY;
- (3) Approved Reseller may not use any ASSA ABLOY Marks as part of or in connection with a domain name;
- (4) Approved Reseller’s advertising must not imply or suggest an association between the Approved Reseller and ASSA ABLOY other than that of buyer and seller;
- (5) Approved Reseller’s use of ASSA ABLOY Marks must be a positive representation of ASSA ABLOY, the Group Companies, and their products;
- (6) Approved Reseller’s trade name must be more predominant on Approved Reseller’s advertising than the ASSA ABLOY Marks;
- (7) Approved Reseller’s use of ASSA ABLOY Marks must include the trademark symbol ® or ™, as appropriate, along with the following trademark legend printed in legible text on the Web page or document containing ASSA ABLOY Marks: “[describe ASSA ABLOY Marks] are trademarks or registered trademarks of ASSA ABLOY, Inc. or one of its affiliates in the United States and other countries.”;
- (8) Approved Reseller must not make modifications of any ASSA ABLOY Marks; and
- (9) Approved Reseller may use only ASSA ABLOY Marks associated with the Group Companies for which it is an Approved Reseller (e.g., an Approved Reseller that sells Group Company X products but not Group Company Y products may use Group Company X trademarks in connection with its sale of Group Company X products, but may not use Group Company Y trademarks).

ASSA ABLOY reserves the right to review Approved Reseller’s usage of ASSA ABLOY Marks at any time and may:

- (a) require changes to the use of ASSA ABLOY Marks at any time in its sole discretion, which changes must be implemented within 30 days of written notice to Approved Reseller;
- (b) condition the use of ASSA ABLOY Marks on ASSA ABLOY’s prior approval of such use, which approval may be withheld in its sole discretion;
- (c) revoke permission to use ASSA ABLOY Marks at any time for any or no reason upon 30 days prior written notice to Approved Reseller; and
- (d) revoke permission to use ASSA ABLOY Marks immediately upon notice to Approved Reseller in the event Approved Reseller is in violation of this Policy, or of any other agreement with ASSA ABLOY or any Group Company. Approved Reseller’s right to use ASSA ABLOY Marks in no way conveys to Approved Reseller any proprietary or economic interest in any ASSA ABLOY Marks.

Use of ASSA ABLOY Marks in violation of this Policy may result in severe civil and criminal liabilities. ASSA ABLOY will vigorously enforce this Policy by seeking all appropriate legal remedies, including, but not limited to, pecuniary damages and injunctive relief.

If there are any questions on this policy, please contact Linda Dean at LDean@assaabloyusa.com or 203-498-5596

ASSA ABLOY Door Security Solutions Website and eBusiness

Rixson's website at www.rixson.com is the place to go for all your *Rixson* product information needs. Easy-to-navigate menus and intuitive icons allow simple and fast access to the latest on new products, as well as the most up-to-date catalogs, templates and installation instructions.

Another great benefit of the *Rixson* website is the ability to become an eBusiness member. Access gives you additional information for *Rixson* account customers only.

Visit www.rixson.com to sign up for ASSA ABLOY Door Security Solutions eBusiness access.

ASSA ABLOY Door Security Solutions Security Consultants provides sales, marketing and support for RIXSON.

To sign up for eBusiness, follow the simple instructions listed below. Register today and start enjoying the many benefits!

eBusiness offers anytime access to:

- Order Status
- Order Check by P.O.
- Stock Status Check
- Cross Reference Guide
- Newsletters
- Contact Webmaster
- Extended Literature (Price Books, Order Forms)
- Fax Program Sign Up
- Fax Order Acknowledgement
- Fax Invoice

How to sign up for eBusiness access:

Step 1: Visit our website at www.rixson.com

Step 2: Double-click eBusiness icon (top middle)

Step 3: Complete ASSA ABLOY Door Security Solutions eBusiness sign-up form



ASSA ABLOY Door Security Solution's Fax Program

Would you like to receive your acknowledgements and invoices quickly and efficiently?

If so, ASSA ABLOY Door Security Solutions offers the Order Acknowledgement and Invoice Fax Program. Please see the simple steps below to get signed up today!

Requirement: Valid eBusiness User ID and Password. (If you do not have an eBusiness User ID and Password, please refer to eBusiness Sign-up Section included in this Price Book.)

Step 1: Log into eBusiness.



Step 2: Double-click on "Sign Up for ASSA ABLOY Door Security Solutions Fax Program Now!"

Step 3: Fill in appropriate information.

Step 4: Click on "Sign up for Fax Program!"



USA & Canada Prices Effective June 3, 2019

ASSA ABLOY

The global leader in door opening solutions

Norton and Rixson are brands associated with ASSA ABLOY Access and Egress Hardware Group, Inc., an ASSA ABLOY Group company. Copyright© 2002-2019, ASSA ABLOY Access and Egress Hardware Group, Inc. All rights reserved. Reproduction in whole or in part without the express written permission of ASSA ABLOY Access and Egress Hardware Group, Inc. is prohibited. Contact Norton: 877-974-2255 or visit www.nortondoорcontrols.com; Contact RIXSON: 800-457-5670 or visit www.rixson.com. In Canada contact us at: 800-461-3007 or visit www.assaabloydss.ca

For Terms & Conditions and Warranty information pertaining to product sales in Canada, please visit www.assaabloy.ca/terms.

Yale Security Inc ® (the “Company”) warrants that its products sold under the Rixson® trade name in the United States of America are free from defects in workmanship and materials under normal use and service.

This warranty does not cover defects or damage arising from improper installation, lack of or improper maintenance, improper storage, shipping and handling, ordinary wear and tear, misuse, abuse, accident, unauthorized service, use with unauthorized non-Rixson products or parts, or the effects of erosion, or corrosion on the finish. This warranty is void if any modification is made to the product regardless of whether the modification causes or contributes to the alleged defect. All modifications are made at the risk of the party making the modification.

The only liability of the Company in tort or contract whether under this warranty or otherwise shall be limited to the repair or replacement of any product or component part which shall prove defective as covered by this warranty.

The warranty period after delivery to the original purchaser in all cases is as follows:

Rixson® door controls:

- Series 27/28, 30/40 Heavy Duty Floor Closers 10 years
- Series 91 Overhead Concealed Closers 5 years
- Electrified Closer/Holder and Electromagnetic Holder/Releases 2 years
- All other Rixson ® products 2 years

The Company will not pay for the cost of repair performed other than in accordance with this warranty. Written notice of a product or component part believed to be defective as covered by this warranty should be sent to Yale Security Inc., 1902 Airport Road, Monroe, North Carolina 28110, and should include your name and address, an identification of the product or component part and a brief description of the defect. Upon receipt of such notice, the Company will inform you where to ship such product or component part, shipping charges prepaid, for examination and, in the event such examination reveals a defect covered by this warranty, the product will be repaired or replaced.

THIS WARRANTY IS IN LIEU OF ALL OTHER EXPRESS WARRANTIES. TO THE EXTENT PERMITTED BY LAW, ALL IMPLIED WARRANTIES ARE LIMITED TO THE DURATION OF THIS WARRANTY. YALE SECURITY INC. SHALL NOT BE LIABLE FOR ANY INCIDENTAL OR CONSEQUENTIAL DAMAGES.

SOME STATES DO NOT ALLOW LIMITATIONS ON HOW LONG AN IMPLIED WARRANTY LASTS OR THE EXCLUSION OR LIMITATION OF INCIDENTAL OR CONSEQUENTIAL DAMAGES, SO THE ABOVE LIMITATIONS OR EXCLUSIONS MAY NOT APPLY TO YOU.

THIS WARRANTY GIVES YOU SPECIFIC LEGAL RIGHTS, AND YOU MAY ALSO HAVE OTHER RIGHTS WHICH VARY FROM STATE TO STATE.

For Terms & Conditions and Warranty information pertaining to product sales in Canada, please visit www.assaabloy.ca/terms.

ACCEPTANCE

RIXSON reserves the right to decline an order, in whole or in part, when the type or quantity of goods or creditworthiness of the Purchaser is not satisfactory to us in our sole and absolute discretion.

Purchase Orders, Quote Requests, Acknowledgements or the like issued by the Purchaser that have contrary standard terms and conditions are not binding on RIXSON, unless such terms and conditions are approved in a separate written agreement by RIXSON authorized representatives. In the event of an acceptance of Purchaser's Purchase Order by RIXSON, the Purchaser agrees that such acceptance is solely conditioned on Purchaser's acceptance of the terms and conditions set forth in this instrument, regardless of the terms and conditions specified in Purchaser's Purchase Order. The terms and conditions in Purchaser's Purchase Order which conflict with the terms and conditions of this instrument shall be disregarded and are hereby rejected, and this instrument shall constitute the entire agreement between RIXSON and the Purchaser.

In the event that RIXSON does not enforce or require strict performance of any term or condition hereof, or of any other document, instrument or other agreement relating to goods sold, such lack of enforcement or requirement of strict performance will not waive, affect or diminish any right of RIXSON to enforce or require strict performance of such term or condition in the future.

PRICES

All prices are subject to change without notice and are not guaranteed. All shipments will be made at prices in effect at the time of shipment. Possession of this price list does not constitute an agreement to sell. We reserve the right to correct clerical, stenographic and other obvious errors at any time.

TERMS

Invoices dated the 1st through the 15th will be due for 2% discount on the *10th of the following month. Invoices dated the 16th through the 31st will be due for 2% discount on the *25th of the following month. *Net immediately thereafter. (RIXSON retains the right to sell or to decline to sell to any Customer for any reason whatsoever that in its judgment is deemed sufficient.)

It is understood that RIXSON may impose and charge a finance charge which is the lesser of one and one-half percent (1-1/2%) per month or the highest rate allowed by law on any amount which becomes past due and delinquent. Additionally the Customer shall be responsible for all collection costs, court costs and reasonable attorney's fees (where allowed by law) in connection with the recovery of any delinquent amount.

FREIGHT

All orders are shipped FOB factory/warehouse, except as expressly provided below. When delivered to the Transportation Company, the Purchaser assumes the risk of loss or damage in transit.

Customer orders with net product value in excess of \$3,000.00 will be shipped prepaid by RIXSON's carrier of choice to a single destination point in the United States. Orders for Norton and RIXSON goods can be combined on one purchase order to meet the \$3,000.00 minimum value for prepaid shipping.

Customer orders with net product value less than \$3,000.00 will be shipped prepaid by RIXSON's carrier of choice and freight and handling charges will be added to the customer's invoice.

A minimum freight and handling charge of \$25.00 will be charged on orders with net product value of \$600.00 or less.

For orders with net product value greater than \$600.00 and less than \$3,000.00, freight charges will be calculated as a percentage of the net invoice value and will be added to Customer's invoice. The percentage is based on the National U.S. Average On Highway Diesel Fuel Prices as reported by the US Department of Energy in effect at the beginning of each quarter. On the first Monday of each quarter, the new rate will be published on the RIXSON and Door

Security Solutions extranet and will go into effect on the 2nd Monday of the quarter. Please refer to the RIXSON distributor extranet for the rate chart and information on the current freight charge percentage. The percentage in effect at the time of shipment of the order will be charged.

If a customer provides their own freight account # for the freight charges, RIXSON will apply a handling fee of \$25.00 to the invoice.

Expedited shipping options – If the customer requests an expedited method of shipment such as "Next Day Air" the charges will be prepaid by RIXSON and the full rate for the service, as published by the carrier, will be added to the customer's invoice.

Packing – RIXSON will pack, mark and ship the products according to its standard procedures for shipment, unless the parties agree, in writing, that RIXSON will comply with any special instructions provided by the customer. Special instructions must be submitted, in writing, at time of order placement. Compliance with special instructions may result in an increased price.

MINIMUM ORDER

Minimum order value for complete product is \$250.00 net product value. The minimum order value for parts orders is \$100.00 net product value. In the event that the net product value does not meet the required net minimum, RIXSON may, at its sole discretion (a) apply a minimum order charge, (b) reject the order or (c) waive the minimum requirement provided that the waiver of the requirement for one order shall not constitute a waiver of the requirement for any future orders.

QUOTATIONS

If RIXSON elects to offer a quote, such quote will be valid until the expiration date on that quote. Complete shipment of the order must be accepted by Purchaser within standard lead times.

The quote number must be referenced on the order. Any invoiced order that has the incorrect discount applied to it and did not have the quote number written on the order will have a service fee of \$100.00 net DEDUCTED from any sales credit issued for the difference in discount.

The quote is null and void if the Purchase Order does not include ALL product lines listed on the quote or if the quantities for any item covered by the quote deviate by 10% or more. With the issuance and acceptance of a quote for the purchase of products, the Purchaser agrees that products so purchased will not be resold or transferred to any Distributor not authorized by RIXSON to sell its products. This would be inclusive of branches of the quoted Distributor. Failure to abide by this restriction may result in the Distributor's ineligibility for Quotations, or other actions in RIXSON's discretion.

RIXSON and its sales representatives reserve the right, in their sole discretion and for any reason, to refuse a Distributor's request to quote a price other than RIXSON's standard list price and regardless of whether RIXSON or its sales representatives have previously quoted discounted prices to the Distributor on some or all of its orders.

NON-CATALOGED PRODUCTS

Products not cataloged or listed in this price book will be considered as special products, and will not be manufactured without prior written approval from RIXSON. Non-catalogued products are not subject to buy programs. Contact factory for pricing. Special products require special handling, and therefore standard lead times may not apply. Special drawings to correct customer error for product already received, may carry a \$400.00 service charge. This fee must be paid prior to release of drawings.

CHANGES/CANCELLATION OF ORDERS

Changes or cancellations to an order will result in a charge of costs for material and labor expenses that have been incurred prior to notification from Customer. If products have already been made and are located in the shipping room, the 45% restocking fee will apply. Handling charges are billed on Customer's original order. All

For Terms & Conditions and Warranty information pertaining to product sales in Canada, please visit www.assaabloy.ca/terms.

Non-Cataloged Goods and RIXSON Quick Ship Orders may not be changed or cancelled. All change requests for goods, other than for the reasons stated above, must be submitted in writing to Customer Service within two (2) business days of receipt of acknowledgment of the order.

ADD-ON ORDERS TO QUOTE

Any new order requesting special pricing to match an existing quote number, which has already been ordered, will be accepted up to sixty (60) days after the acknowledgement of the original order. All add-on orders must reference the original factory order number and the corresponding quote number to receive the quoted pricing discount. Add-on orders for stock will not be accepted.

PACKAGING

Many items are defined as to Case Lot Packaging or Minimum Order. The Case Lot policy does not apply to hardware to be used on a specific hardware project.

DELIVERY

Orders will be acknowledged and given a scheduled delivery date based on estimated manufacturing lead times. Complete information is required to process all orders. Orders with insufficient information for processing (i.e. door sizes, handing, etc.) may be subject to extended lead times which are relative to the time required in obtaining the necessary information for order processing. Manufacturing lead time will begin once all information is received to process an order. RIXSON will use reasonable efforts to deliver products as estimated, but makes no guarantees as to delivery dates. RIXSON will not be liable for back charges incurred based on availability of product or as a result of delays in delivery caused by insufficient information required to process an order. RIXSON will not be held responsible for delays in delivery caused by strikes, fires, floods or any other causes beyond our control, including the delivery of material to us. Under no circumstances shall RIXSON be liable or accountable for consequential damages due to failure of delivery.

CLAIMS

In the event of Company or Customer error, claims for shortages, pricing errors and/or incorrectly filled orders must be submitted in writing to Customer Service within thirty (30) days from receipt of material.

Any claims for shortages or damage by the Carrier must be made by the Customer directly to the Carrier.

INVOICE DEDUCTION

A RIXSON Sales Representative or Customer Service Representative must be notified of any disputed invoices within sixty (60) days from the date of invoice. Deductions should only be taken for the disputed amount and the balance of the invoice is due and payable within standard payment terms.

RETURNED GOODS

It is the policy of RIXSON to not accept returns of any materials that are correctly furnished as per the Distributor's Purchase Order. Return of product due to customer order error or accommodation must be pre-arranged with RIXSON and approved in writing by Sales Management. All products returned as "Goodwill" must meet the following criteria to be considered a return:

- Be in original, unmarked and undamaged cartons.
- Be valued in excess of \$250.00 net.
- Shipped and invoiced within the previous 120 days.
- **Custom, non-cataloged goods, or RIXSON Quick Ship product is not returnable.**

A MINIMUM restocking fee of 45% will be charged. Upon receipt and verification by RIXSON that the returned merchandise meets the foregoing conditions, a credit will be issued for the original invoice amount less the MINIMUM 45% restocking fee. Defective goods and "Goodwill" products that meet the foregoing criteria may be returned

by fulfilling the following conditions:

- Send an RGA request in writing to the RIXSON Sales Representative serving the Purchaser's area.
- Ensure the RGA labels that are sent to Purchaser by RIXSON are visible on return goods shipment.
- Ensure that the RGA number appears on the return shipment label and is legible.
- Return the authorized merchandise within sixty (60) days from the date of RGA issuance date.
- Return shipments must be freight prepaid to the location specified on the RGA. RIXSON is not liable for damages to product during shipping.

No credit may be taken or issued prior to RGA approval and receipt of product.

All defective goods within the terms of our limited warranty may be returned for credit or replacement.

TAXES

Prices do not include any present or future Federal, State, or Local property, license, privilege, sales, use, excise, gross receipts or other like taxes or assessments, which may result from transactions or any services performed in connection herewith.

GOVERNING LAW

The rights and obligations of the parties shall be governed by the laws of the State of North Carolina, excluding any conflicts of law provisions. The United Nations Convention on Contracts for the International Sale of Goods shall not apply to this Agreement.

LIMITED WARRANTY

The Terms and Conditions outlined above are subject to RIXSON's Limited Warranty, which is included in this Price List and incorporated herein by reference.

PRODUCT MODIFICATIONS

RIXSON products are not designed or intended for aftermarket modification. The warranty on RIXSON products becomes void if the product is modified in any way, regardless of whether the modification causes or contributes to any alleged defect. Warranty voiding modifications include, but are not limited to, third-party electrification of non-electric products and/or the installation of non-approved or non-RIXSON components.

If a RIXSON product is modified it no longer meets industry certification and quality control standards applicable to the original product and is no longer a genuine RIXSON product. A modified product may not be sold as a RIXSON product and no RIXSON trademarks or certification marks based on the original RIXSON product, such as U.L. or ANSI/BHMA marks, may appear anywhere on the modified product or on any packaging, literature, or instructions sold with the modified product.

All original RIXSON packaging and literature that carries RIXSON trademarks must be destroyed if the original RIXSON product is modified. Portions of the product that carry a RIXSON trademark or certification mark must be discarded and/or replaced by the party making the modification. U.L. and other certification testing and marking are also the responsibility of the party making modification. The use of RIXSON trademarks on modified products constitutes trademark infringement.

TECHNICAL INFORMATION AND ADVICE

(a) All designs, data, and specifications provided by Company are proprietary and will not be disclosed or reused by Customer without the prior written consent of Company; (b) Company assumes no obligation or liability for any advice given by Company, the results obtained, or damages incurred, and all such advice is given and accepted at Customer's risk.

Finish Symbol Designations

| BHMA** | US | DESCRIPTION |
|-------------|------|---|
| 600 / 674 | P | PRIME COAT |
| 605* / 632 | 3 | BRIGHT BRASS |
| 606 / 633 | 4 | SATIN BRASS |
| 611 / 637 | 9 | BRIGHT BRONZE |
| 612 / 639 | 10 | SATIN BRONZE |
| 613 / 640 | 10B | DARK BRONZE |
| 613E / 640E | 10BE | DARK OXIDIZED SATIN BRONZE - EQUIVALENT |
| 618 | 14 | BRIGHT NICKEL |
| 619 | 15 | SATIN NICKEL |
| 622 / 693 | 19 | FLAT BLACK |
| 625 / 651 | 26 | BRIGHT CHROME |
| 626 / 652 | 26D | SATIN CHROME |
| 629* | 32 | BRIGHT STAINLESS |
| 630* | 32D | SATIN STAINLESS |
| 689 | | SPRAYED ALUMINUM |
| 690 | | SPRAYED DARK BRONZE |
| 691 | | SPRAYED LIGHT BRONZE |
| 696 | | SPRAYED BRASS |
| BSP | | BLACK SUEDE |
| WSP | | WHITE SUEDE |

Blackened or hammered finishes are not available.

For any other finishes not listed, contact pricing department, 800-457-5670.

* Patch fittings are available in these finishes only.

** BHMA numbers are assigned by base metals on which finish is being applied. For more information see ANSI A156.18. Appearance should closely match old US numbers.

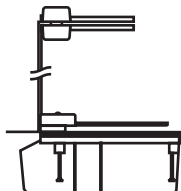
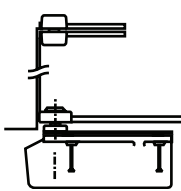
For finish availability see product “how to order” pages.

SPECIAL FINISHES:

| | |
|---|--------------|
| * Contact factory for availability * A set-up fee will be added to EACH purchase order that lists non-standard sprayed or powder coat finishes. | ADD \$800.00 |
| Discount 50% only. Fee will appear as a separate line item on invoice: SETUPDCG. | |

Note that all fire rated openings must have a minimum of one intermediate pivot. See page 116
Options on page 89

Heavy Weight/Duty 3/4" Offset

| Model | Complete Closer Specify Model, Hand and Degree | LAP Specify Model, Hand and Degree | Top Pivot Pkg | Bottom Arm Pkg | Floor Plate Pkg | Cement Case Pkg |
|---|--|--|------------------|-------------------|--------------------|--------------------|
|  | 27N | 27N LAP | 180 | 252050R* | 274050R* | 253000-PKG |
| | | | | 252050L* | 274050L* | |
| | \$1,748.00 | \$1,189.00 | \$228.00 | \$121.00 | \$109.00 | \$101.00 |
| | 27S | 27S LAP | 180 | 252050R* | 274750R* | 253000-PKG |
| | | | | 252050L* | 274750L* | |
| | \$1,873.00 | \$1,314.00 | \$228.00 | \$121.00 | \$109.00 | \$101.00 |
| | F27N (UL) | 27N LAP | F180 | 252050R* | 274050R* | 253000-PKG |
| | | | | 252050L* | 274050L* | |
| | \$2,054.00 | \$1,189.00 | \$534.00 | \$121.00 | \$109.00 | \$101.00 |
| | 27-180N | 27-180N LAP | 180 | 252050R* | 274050R* | 253000-PKG |
| | | | | 252050L* | 274050L* | |
| | \$1,885.00 | \$1,326.00 | \$228.00 | \$121.00 | \$109.00 | \$101.00 |
| 27-180A | 27-180A LAP | 180 | 252050R* | 274050R* | 253000-PKG | |
| | | | 252050L* | 274050L* | | |
| \$2,010.00 | \$1,451.00 | \$228.00 | \$121.00 | \$109.00 | \$101.00 | |
| F27-180N (UL) | 27-180N LAP | F180 | 252050R* | 274050R* | 253000-PKG | |
| | | | 252050L* | 274050L* | | |
| \$2,191.00 | \$1,326.00 | \$534.00 | \$121.00 | \$109.00 | \$101.00 | |
|  | 127N | 28N LAP | 180 | 652050R* | 274050R* | 253000-PKG |
| | | | | 652050L* | 274050L* | |
| | \$1,826.00 | \$1,179.00 | \$228.00 | \$209.00 | \$109.00 | \$101.00 |
| | 127S | 28S LAP | 180 | 652050R* | 274750R* | 253000-PKG |
| | | | | 652050L* | 274750L* | |
| | \$1,951.00 | \$1,304.00 | \$228.00 | \$209.00 | \$109.00 | \$101.00 |
| F127N (UL) | 28N LAP | F180 | 652050R* | 274050R* | 253000-PKG | |
| | | | 652050L* | 274050L* | | |
| \$2,132.00 | \$1,179.00 | \$534.00 | \$209.00 | \$109.00 | \$101.00 | |

*Finish required, see page 90

N = Non-Hold open A = Automatic Hold Open S = Selective Hold Open

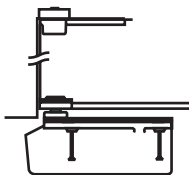
Note: Buying program discount on Pivots applies when Pivots are ordered separately

LAP = Less All Parts

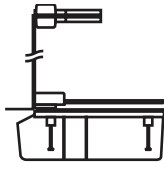
USA & Canada Prices Effective June 3, 2019

Note that all fire rated openings must have a minimum of one intermediate pivot. See page 116
Options on page 89


Heavy Weight/Duty 3/4" Offset

| Model | Complete Closer Specify Model, Hand and Degree | LAP Specify Model, Hand and Degree | Top Pivot Pkg | Bottom Arm Pkg | Floor Plate Pkg | Cement Case Pkg |
|---|--|--|------------------|-------------------|--------------------|--------------------|
|  | 427N | 28N LAP | 180 x 102 | 652050R* | 274050R* | 253000-PKG |
| | | | | 652050L* | 274050L* | |
| | \$1,961.00 | \$1,179.00 | \$363.00 | \$209.00 | \$109.00 | \$101.00 |
| | 427S | 28S LAP | 180 x 102 | 652050R* | 274750R* | 253000-PKG |
| | | | 652050L* | 274750L* | | |
| \$2,086.00 | \$1,304.00 | \$363.00 | \$209.00 | \$109.00 | \$101.00 | |

Heavy Weight/Duty 1-1/2" Offset

| Model | Complete Closer Specify Model, Hand and Degree | LAP Specify Model, Hand and Degree | Top Pivot Pkg | Bottom Arm Pkg | Floor Plate Pkg | Cement Case Pkg |
|---|--|--|-------------------|-------------------|--------------------|--------------------|
|  | 27N x 1-1/2OS | 27N LAP | 180 x 1-1/2OS | 252060R* | 274050R* | 253000-PKG |
| | | | | 252060L* | 274050L* | |
| | \$1,996.00 | \$1,189.00 | \$411.00 | \$186.00 | \$109.00 | \$101.00 |
| | 27S x 1-1/2OS ^(U) | 27S LAP | 180 x 1-1/2OS | 252060R* | 274750R* | 253000-PKG |
| | | | | 252060L* | 274750L* | |
| | \$2,121.00 | \$1,314.00 | \$411.00 | \$186.00 | \$109.00 | \$101.00 |
| | F27N x 1-1/2OS | 27N LAP | F180 x 1-1/2OS | 252060R* | 274050R* | 253000-PKG |
| | | | | 252060L* | 274050L* | |
| | \$2,447.00 | \$1,189.00 | \$862.00 | \$186.00 | \$109.00 | \$101.00 |
| | 27 x 180N x 1-1/2OS | 27 x 180N LAP | 180 x 1-1/2OS | 252060R* | 274050R* | 253000-PKG |
| | | | | 252060L | 274050L* | |
| | \$2,133.00 | \$1,326.00 | \$411.00 | \$186.00 | \$109.00 | \$101.00 |
| 27-180A x 1-1/2OS | 27 x 180A LAP | 180 x 1-1/2OS | 252060R* | 274050R* | 253000-pkg | |
| | | | 252060L* | 274050L* | | |
| \$2,258.00 | \$1,451.00 | \$411.00 | \$186.00 | \$109.00 | \$101.00 | |
| F27-180N x 1-1/2OS | 27-180N LAP | F180 x 1-1/2OS | 252060R* | 274050R* | 253000-PKG | |
| | | | 252060L* | 274050L* | | |
| \$2,584.00 | \$1,326.00 | \$862.00 | \$186.00 | \$109.00 | \$101.00 | |

Independently Hung (HANGING MEANS AFFECT PRICING AND MUST BE NOTED WHEN ORDERING)

| Model | Complete Closer Specify Model, Hand and Hanging Means | LAP Specify Model and Hand | Top Pivot Pkg | Bottom Arm Pkg | Floor Plate Pkg | Cement Case Pkg |
|---|---|----------------------------------|------------------|-------------------|--------------------|--------------------|
|  | **F327N ^(U) | 327N LAP | N/A | 3252010-* | 3274010R* | 253000-PKG |
| | | | | | 3274010L* | |
| \$1,843.00 | \$1,275.00 | N/A | \$358.00 | \$109.00 | \$101.00 | |

*Finish required, see page 90

N = Non-Hold open A = Automatic Hold Open S = Selective Hold Open

Note: Buying program discount on Pivots applies when Pivots are ordered separately LAP = Less All Parts

****Pricing for Offset 1-3/4 thick doors hung on standard 4-1/2 x 4-1/2 butts or 3/4 offset pivots. For all other hanging means or door thicknesses, consult factory. Prices will be affected and will not carry any buy program or quote discounting.**

USA & Canada Prices Effective June 3, 2019

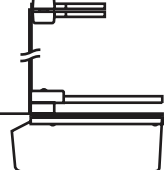
ASSA ABLOY

The global leader in
door opening solutions

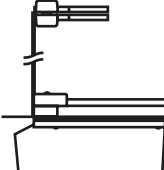
Norton and Rixson are brands associated with ASSA ABLOY Access and Egress Hardware Group, Inc., an ASSA ABLOY Group company.
Copyright© 2002-2019, ASSA ABLOY Access and Egress Hardware Group, Inc. All rights reserved. Reproduction in whole or in part
without the express written permission of ASSA ABLOY Access and Egress Hardware Group, Inc. is prohibited.
Contact Norton: 877-974-2255 or visit www.nortondoорcontrols.com; Contact RIXSON: 800-457-5670 or visit www.rixson.com.
In Canada contact us at: 800-461-3007 or visit www.assaabloydss.ca

Note that all fire rated openings must have a minimum of one intermediate pivot. See page 116
Options on page 89

Extra Heavy Weight/Duty/Lead Lined 1-3/4" Door

| Model | Complete Closer Specify Model, Hand and Degree | LAP Specify Model, Hand and Degree | Top Pivot Pkg | Bottom Arm Pkg | Floor Plate Pkg | Cement Case Pkg |
|---|--|------------------------------------|---------------|----------------|-----------------|-----------------|
|  | L27N | L27N LAP | L180 | 252051R* | 274050R* | 253001 |
| | | | | 252051L* | 274050L* | |
| | \$2,555.00 | \$1,648.00 | \$370.00 | \$214.00 | \$109.00 | \$214.00 |
| | L27S | L27S LAP | L180 | 252051R* | 274750R* | 253001 |
| | | | | 252051L* | 274750L* | |
| | \$2,680.00 | \$1,773.00 | \$370.00 | \$214.00 | \$109.00 | \$214.00 |
| | FL27N (U) | L27N LAP | FL180 | 252051R* | 274050R* | 253001 |
| | | | | 252051L* | 274050L* | |
| | \$2,967.00 | \$1,648.00 | \$782.00 | \$214.00 | \$109.00 | \$214.00 |
| | L27-180N | L27-180N LAP | L180 | 252051R* | 274050R* | 253001 |
| | | | | 252051L* | 274050L* | |
| | \$2,733.00 | \$1,826.00 | \$370.00 | \$214.00 | \$109.00 | \$214.00 |
| L27-180A | L27-180A LAP | L180 | 252051R* | 274050R* | 253001 | |
| | | | 252051L* | 274050L* | | |
| \$2,858.00 | \$1,951.00 | \$370.00 | \$214.00 | \$109.00 | \$214.00 | |
| FL27-180N (U) | L27-180N LAP | FL180 | 252051R* | 274050R* | 253001 | |
| | | | 252051L* | 274050L* | | |
| \$3,145.00 | \$1,826.00 | \$782.00 | \$214.00 | \$109.00 | \$214.00 | |

Extra Heavy Weight/Duty/Lead Lined ALL OTHER DOOR THICKNESSES

| Model | Complete Closer Specify Model, Hand and Degree | LAP Specify Model, Hand and Degree | Top Pivot Pkg | Bottom Arm Pkg | Floor Plate Pkg | Cement Case Pkg |
|---|--|------------------------------------|-----------------------|--|-----------------|-----------------|
|  | L27N x door thickness | L27N LAP | L180 x door thickness | 2" 252052R* 2" 252052L* 2-1/4" 252053R* 2-1/4" 252053L* 2-1/2" 252054R* 2-1/2" 252054L* 3" 252055R* 3" 252055L* | 274050R* | 253001 |
| | | | | | 274050L* | |
| | \$2,944.00 | \$1,648.00 | \$558.00 | \$415.00 | \$109.00 | \$214.00 |
| | L27S x door thickness | L27S LAP | L180 x door thickness | See above | 274750R* | 253001 |
| | | | | | 274750L* | |
| | \$3,069.00 | \$1,773.00 | \$558.00 | \$415.00 | \$109.00 | \$214.00 |
| | L27-180N x door thickness | L27-180N LAP | L180 x door thickness | See above | 274050R* | 253001 |
| | | | | | 274050L* | |
| | \$3,122.00 | \$1,826.00 | \$558.00 | \$415.00 | \$109.00 | \$214.00 |
| | L27-180A x door thickness | L27-180A LAP | L180 x door thickness | See above | 274050R* | 253001 |
| | | | | | 274050L* | |
| | \$3,247.00 | \$1,951.00 | \$558.00 | \$415.00 | \$109.00 | \$214.00 |

*Finish required, see page 90

N = Non-Hold open A = Automatic Hold Open S = Selective Hold Open

Note: Buying program discount on Pivots applies when Pivots are ordered separately LAP = Less All Parts

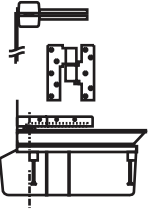
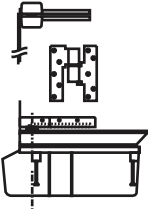
USA & Canada Prices Effective June 3, 2019

ASSA ABLOY

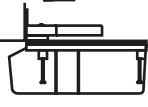
Norton and Rixson are brands associated with ASSA ABLOY Access and Egress Hardware Group, Inc., an ASSA ABLOY Group company. Copyright© 2002-2019, ASSA ABLOY Access and Egress Hardware Group, Inc. All rights reserved. Reproduction in whole or in part without the express written permission of ASSA ABLOY Access and Egress Hardware Group, Inc. is prohibited. Contact Norton: 877-974-2255 or visit www.nortondoorcontrols.com; Contact RIXSON: 800-457-5670 or visit www.rixson.com. In Canada contact us at: 800-461-3007 or visit www.assaabloydss.ca

Note that all fire rated openings must have a minimum of one intermediate pivot. See page 116
Options on page 89

Heavy Weight/Duty Quick Install

| Model | Complete Closer Specify Model, Hand and Degree | LAP Specify Model, Hand and Degree | Top Pivot Pkg | Bottom Arm Pkg | Floor Plate Pkg | Cement Case Pkg | Intermediate Pivot *Cannot be ordered less intermediate pivot |
|--|--|------------------------------------|---------------|----------------|-----------------|-----------------|---|
|  | Q27N | Q27N LAP | 180 | 222050R* | 294050R* | 253000-PKG | M19 |
| | | | | 222050L* | 294050L* | | |
| | \$2,335.00 | \$1,324.00 | \$228.00 | \$246.00 | \$109.00 | \$101.00 | \$327.00 |
| | Q27S | Q27S LAP | 180 | 222050R* | 294750R* | 253000-PKG | M19 |
| | | | | 222050L* | 294750L* | | |
| | \$2,460.00 | \$1,449.00 | \$228.00 | \$246.00 | \$109.00 | \$101.00 | \$327.00 |
| FQ27N (UL) | Q27N LAP | F180 | 222050R* | 294050R* | 253000-PKG | FM19 | |
| | | | 222050L* | 294050L* | | | |
| \$3,009.00 | \$1,324.00 | \$534.00 | \$246.00 | \$109.00 | \$101.00 | \$695.00 | |
|  | QT27N | Q27N LAP | 180 | 222050R* | N/A | 253000-PKG | M19 |
| | | | | 222050L* | | | |
| | \$2,226.00 | \$1,324.00 | \$228.00 | \$246.00 | - | \$101.00 | \$327.00 |
| | QT27S | Q27S LAP | 180 | 222050R* | N/A | 253000-PKG | M19 |
| | | | | 222050L* | | | |
| | \$2,351.00 | \$1,449.00 | \$228.00 | \$246.00 | - | \$101.00 | \$327.00 |
| FQT27N (UL) | Q27N LAP | F180 | 222050R* | N/A | 253000-PKG | FM19 | |
| | | | 222050L* | | | | |
| \$2,900.00 | \$1,324.00 | \$534.00 | \$246.00 | - | \$101.00 | \$695.00 | |

Heavy Weight/Duty HM Door and Frame Preps

| Model | Complete Closer Specify Model, Hand and Degree | LAP Specify Model, Hand and Degree | Hinge Pkg (3 per pkg) | Bottom Arm Pkg | Floor Plate Pkg | Cement Case Pkg |
|---|--|------------------------------------|-----------------------|----------------|-----------------|-----------------|
|  (3 Each) | HM27N & FHM27N (UL) | 27N LAP | 254545*-PK | 222050R*HM | 274050R* | 253000-PKG |
| | | | | 222050L*HM | 274050L* | |
| | \$2,294.00 | \$1,189.00 | \$649.00 | \$246.00 | \$109.00 | \$101.00 |
| | HM27S | 27S LAP | 254545*-PK | 222050R*HM | 274750R* | 253000-PKG |
| | | 222050L*HM | | 274750L* | | |
| \$2,419.00 | \$1,314.00 | \$649.00 | \$246.00 | \$109.00 | \$101.00 | |

*Finish required, see page 90

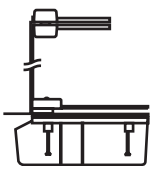
N=Non Hold Open A=Automatic Hold Open S=Selective Hold Open

Note: Buying program discount on Pivots applies when Pivots are ordered separately

LAP = Less All Parts

Note that all fire rated openings must have a minimum of one intermediate pivot. See page 116
Options on page 89

Standard Weight/Duty 180° Swing

| Model | Complete Closer Specify Model and Hand | LAP Specify Model and Hand | Top Pivot Pkg | Bottom Arm Pkg | Floor Plate Pkg | Cement Case Pkg |
|---|--|----------------------------|---------------|----------------|-----------------|-----------------|
|  | 20N | 20N LAP | 180 | 252050R* | 204050R* | 203000 |
| | \$1,834.00 | \$1,275.00 | \$228.00 | 252050L* | 204050L* | \$101.00 |
| | F20N ^(UL) | 20N LAP | F180 | 252050R* | 204050R* | 203000 |
| | \$2,140.00 | \$1,275.00 | \$534.00 | 252050L* | 204050L* | \$101.00 |

*Finish required, see page 90

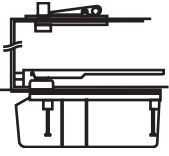
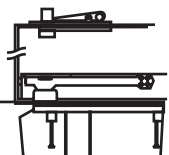
N=Non Hold Open A=Automatic Hold Open S=Selective Hold Open

Note: Buying program discount on Pivots applies when Pivots are ordered separately

LAP = Less All Parts

Options on page 89

Heavy Weight/Duty Single Acting

| Model | Complete Closer Specify Model, Hand and Degree | LAP Specify Model, Hand and Degree | Top Pivot Pkg | Bottom Arm Pkg | Floor Plate Pkg | Cement Case Pkg |
|---|--|--|------------------|-------------------|--------------------|--------------------|
|  | 28N x 554 | 28N LAP | 340 | 282554 | 284020R* | 253000-PKG |
| | | | | | 284020L* | |
| | \$1,691.00 | \$1,179.00 | \$148.00 | \$148.00 | \$115.00 | \$101.00 |
| | 28S x 554 | 28S LAP | 340 | 282554 | 284720R* | 253000-PKG |
| | | | | 284720L* | | |
| | \$1,816.00 | \$1,304.00 | \$148.00 | \$148.00 | \$115.00 | \$101.00 |
|  | 28N | 28N LAP | 340 | 282026-* | 284020R* | 253000-PKG |
| | | | | | 284020L* | |
| | \$1,691.00 | \$1,179.00 | \$148.00 | \$148.00 | \$115.00 | \$101.00 |
| | 28S | 28S LAP | 340 | 282026-* | 284720R* | 253000-PKG |
| | | | | 284720L* | | |
| | \$1,816.00 | \$1,304.00 | \$148.00 | \$148.00 | \$115.00 | \$101.00 |

*Finish required, see page 90

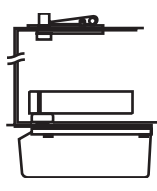
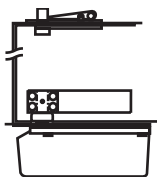
N = Non-Hold open A = Automatic Hold Open

Note: Buying program discount on Pivots applies when Pivots are ordered separately

LAP = Less All Parts

Options on page 89

Extra Heavy Weight/Duty Single Acting

| Model | Complete Closer Specify Model Hand and Degree | LAP Specify Model Hand and Degree | Top Pivot Pkg | Bottom Arm Pkg | Floor Plate Pkg | Cement Case Pkg |
|---|---|-----------------------------------|---------------|----------------|-----------------|-----------------|
|  | H28N | H28N LAP | H340 | 262022 | 284020R* | 253001 |
| | | | | | 284020L* | |
| | \$2,858.00 | \$1,371.00 | \$486.00 | \$672.00 | \$115.00 | \$214.00 |
| | H28S | H28S LAP | H340 | 262022 | 284720R* | 253001 |
| | | | | 284720L* | | |
| \$2,983.00 | \$1,496.00 | \$486.00 | \$672.00 | \$115.00 | \$214.00 | |
|  | H28N x 587 | H28N LAP | H340 | 262587 | 284020R* | 253001 |
| | | | | | 284020L* | |
| | \$2,858.00 | \$1,371.00 | \$486.00 | \$672.00 | \$115.00 | \$214.00 |
| | H28S x 587 | H28S LAP | H340 | 262587 | 284720R* | 253001 |
| | | | | 284720L* | | |
| \$2,983.00 | \$1,496.00 | \$486.00 | \$672.00 | \$115.00 | \$214.00 | |

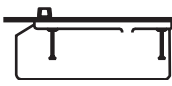
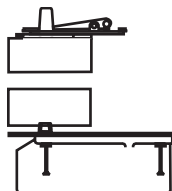
*Finish required, see page 90

N = Non-Hold open A = Automatic Hold Open S = Selective Hold Open

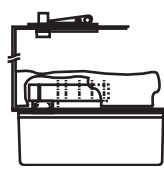
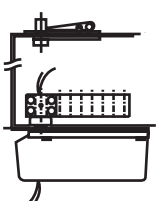
Note: Buying program discount on Pivots applies when Pivots are ordered separately

LAP = Less All Parts

Patch Fittings/Single Acting

| Model | Complete Closer Specify Model, Hand and Degree | LAP Specify Model, Hand and Degree | Top Pivot Pkg | Bottom Arm Pkg | Floor Plate Pkg | Cement Case Pkg |
|---|--|--|------------------|-------------------|--------------------|--------------------|
|  | 328N | 328N LAP | N/A | N/A | 284020R* | 253000-PKG |
| | | | | | 284020L* | |
| | \$1,395.00 | \$1,179.00 | - | - | \$115.00 | \$101.00 |
| | 328S | 328S LAP | N/A | N/A | 284720R* | 253000-PKG |
| | | | | 284720L* | | |
| | \$1,520.00 | \$1,304.00 | - | - | \$115.00 | \$101.00 |
|  | 428N | 428N LAP | 7494*PK | 7495*PK | 284020R* | 253000-PKG |
| | | | | | 284020L* | |
| | \$2,046.00 | \$1,179.00 | \$317.00 | \$334.00 | \$115.00 | \$101.00 |
| | 428S | 428S LAP | 7494*PK | 7495*PK | 284720R* | 253000-PKG |
| | | | | 284720L* | | |
| | \$2,171.00 | \$1,304.00 | \$317.00 | \$334.00 | \$115.00 | \$101.00 |

Thru-wire/Power Transfer Single Acting

| Model | Specify Model, Hand, Degree and Number of Wires | LAP Specify Model, Hand, Degree and Number of Wires | Top Pivot Pkg | Bottom Arm Pkg | Floor Plate Pkg | Cement Case Pkg |
|---|--|--|------------------|-------------------|--------------------|--------------------|
|  | EH28N | EH28N LAP | H340 | 262022 | 284020R* | 253001 |
| | | | | | 284020L* | |
| | \$3,122.00 | \$1,635.00 | \$486.00 | \$672.00 | \$115.00 | \$214.00 |
| | EH28S | EH28S LAP | H340 | 262022 | 284720R* | 253001 |
| | | | | 284720L* | | |
| | \$3,247.00 | \$1,760.00 | \$486.00 | \$672.00 | \$115.00 | \$214.00 |
|  | EH28N x 587 | EH28N LAP | H340 | 262587 | 284020R* | 253001 |
| | | | | | 284020L* | |
| | \$3,122.00 | \$1,635.00 | \$486.00 | \$672.00 | \$115.00 | \$214.00 |
| | EH28S x 587 | EH28S LAP | H340 | 262587 | 284720R* | 253001 |
| | | | | 284720L* | | |
| | \$3,247.00 | \$1,760.00 | \$486.00 | \$672.00 | \$115.00 | \$214.00 |

*Finish required, see page 90

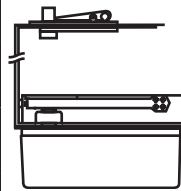
N=Non Hold Open A=Automatic Hold Open S=Selective Hold Open

Note: Buying program discount on Pivots applies when Pivots are ordered separately

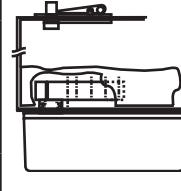
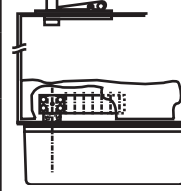
LAP = Less All Parts

Options on page 89

Heavy Weight/Duty Double Acting

| Model | Complete Closer Specify Model and Degree (If Hold Open) | LAP Specify Model & Degree (If Hold Open) | Top Pivot Pkg | Bottom Arm Pkg | Floor Plate Pkg | Cement Case Pkg |
|---|---|---|---------------|----------------|-----------------|-----------------|
|  | 30N | 30N LAP | 340 | 302026 | 304020-* | 303000 |
| | \$2,062.00 | \$1,497.00 | \$148.00 | \$148.00 | \$153.00 | \$116.00 |
| | 30A | 30A LAP | 340 | 302026 | 304020-* | 303000 |
| | \$2,187.00 | \$1,622.00 | \$148.00 | \$148.00 | \$153.00 | \$116.00 |
| | 40N | 40N LAP | 340 | 302026 | 404020-* | 403000 |
| | \$2,121.00 | \$1,526.00 | \$148.00 | \$148.00 | \$147.00 | \$152.00 |
| | 40A | 40A LAP | 340 | 302026 | 404020-* | 403000 |
| | \$2,246.00 | \$1,651.00 | \$148.00 | \$148.00 | \$147.00 | \$152.00 |

Extra Heavy Weight/Duty Double Acting

| Model | Complete Closer Specify Model and Degree (If Hold Open) | LAP Specify Model & Degree (If Hold Open) | Top Pivot Pkg | Bottom Arm Pkg | Floor Plate Pkg | Cement Case Pkg |
|---|---|---|---------------|----------------|-----------------|-----------------|
|  | H40N | H40N LAP | H340 | 262022 | 404020-* | 403000 |
| | \$3,972.00 | \$2,515.00 | \$486.00 | \$672.00 | \$147.00 | \$152.00 |
| | H40A | H40A LAP | H340 | 262022 | 404020-* | 403000 |
| | \$4,097.00 | \$2,640.00 | \$486.00 | \$672.00 | \$147.00 | \$152.00 |
|  | H40N X 587 | H40N LAP | H340 | 262587 | 404020-* | 403000 |
| | \$3,972.00 | \$2,515.00 | \$486.00 | \$672.00 | \$147.00 | \$152.00 |
| | H40A X 587 | H40A LAP | H340 | 262587 | 404020-* | 403000 |
| | \$4,097.00 | \$2,640.00 | \$486.00 | \$672.00 | \$147.00 | \$152.00 |

*Finish required, see page 90

N = Non-Hold open A = Automatic Hold Open

Note: Buying program discount on Pivots applies when Pivots are ordered separately







LAP = Less All Parts

Quick Reference Options

| Prefix | Description | Price |
|--------|---|----------|
| PH | Physically Handicapped 5# of opening force for ADA compliance for interior doors. If used on exterior or fire doors, the low opening force may not be enough to close the door. PH is also available in 8.5# of opening force. Suffix 8.5# when ordering. Rixson will not be responsible if exterior or fire doors will not completely close when PH products are supplied. | \$0.00 |
| DA | Delayed Action holds door open at 70 degrees for up to 40 seconds. DA cannot be ordered with hold open closers. Not available in Models 30 and 40. | \$131.00 |
| SC | Sealing a closer protects it from moisture. Cement case and closer body are gasketed and fastened together. Closer must be ordered with cement case and shipped at the same time. | \$147.00 |
| W | Reinforcement bracket that protects door skin for center hung wood doors using arm 282026, 302026. | \$0.00 |

| Suffix | Description | Price |
|----------|--|---|
| Ext Spdl | To accommodate special floor conditions, the spindle can be ordered in 1/2" increments up to and including 2" longer. Closer must be ordered with longer spindle, it cannot be field adjusted. | \$135.00 |
| Torx | Security screws. Only provided for screws visible. | \$255.00 |
| CWF | Cold weather fluid for temperatures consistently below 0 degrees. | \$59.00 |
| -20 | 20 minute UL listing for smoke doors. Do not prefix F. | \$26.00 |
| 8.5# | Prefix PH when ordering this light opening force. Rixson will not be responsible if door will not completely close when PH products are supplied. | \$0.00 |
| SPLO | Special layout that may require special templating and/or products | Excluded from buying program Contact factory for pricing |

Door Control Accessories

| | | | Price |
|--|----------------|---|----------|
|  | 1101 | Cement Case for use with expansion joints, (handed) | \$490.00 |
|  | 79501 | Cement Case for use with shallow floors (non-handed) | \$293.00 |
|  | 25204 | Twin Cement Case 1-7/8" Mullion for back to back closers. Must be ordered with closers. | \$235.00 |
| | 25304 | Twin Cement Case 2" Mullion for back to back closers. Must be ordered with closers. | \$235.00 |
|  | 846* | Cover Pan for 27 closer, specify depth, hand 1-3/4 doors only | \$726.00 |
| | 3910* | Cover Pan for L27 closer, specify depth, hand 1-3/4 doors only | \$726.00 |
| | 2237* | Cover Pan for 28 closer x 554 flat arm, specify depth, hand. | \$726.00 |
| | 841* | Cover Pan for 28 closer, centering arm, specify depth, hand. | \$726.00 |
|  | 60131 | Lock edge applied stop for center hung doors. Specify finish. | \$79.00 |
|  | 1859001 | Quickspotter Installation 25, 27, 28, 30, 40 | \$105.00 |
| | 1859501 | Quickspotter Installation for Q27 | \$105.00 |

* Specify stainless steel or brass

How To Order

| F Prefix | 27 Model | 90 Degree of Swing | N Hold Open | x 1/2" Ext Spindle Suffix | | x RH Hand | x 626 Finish |
|---------------------------|-----------|----------------------------|-------------------------|---------------------------|--------------------------------------|---|--|
| DA Delayed Action | 27 127 | 85 90 | N = Non-Hold Open | 1-1/2OS | 1-1/2" Offset | Blank (30 & 40) RH Right Hand LH Left Hand | 605 Bright Brass |
| PH Lighter | 427 | 95 | A = Automatic Hold Open | 2" | Door Thickness L Series Product Only | | 606 Satin Brass |
| Spring | 327 | 105 | S = Selective Hold Open | 2-1/4" | | Concealed Arm (28) | 611 Bright Bronze |
| (ADA) | L27 | 100 - (30 and 40 Series) | | 2-1/2" | H Arm (H28, H40) | | 612 Satin Bronze |
| F Fire Rated | Q27 | 180 - (20 and 27-180 only) | | 3" | | Extended Spindle | 613 Dark Bronze |
| | HM27 | | | 554 | 20 Minute label | | 613E Dark Oxidized Satin Bronze - Equivalent |
| Doors | 20 | | | 587 | | Optional PH Spring | 618 Bright Nickel |
| W Wood Door (center hung) | 28 | | | Ext Spdl | Less All Parts | | 619 Satin Nickel |
| | H28 | | | -20 | | Less Floor Plate | 622 Flat Black |
| | 328 | | | LAP | Less Cement Case | | 625 Bright Chrome |
| | 428 | | | LFP | | Less Top Pivot | 626 Satin Chrome |
| | EH28 | | | LCC | Cold Weather Fluid | | BSP Black Suede |
| | 30 | | | LTP | | - Depth for Cover - # of Wires for Electrified Product | WSP White Suede |
| | 40 | | | CWF | Security Screws (Offset Only) | | |
| | H40 | | | Pan | | Special Layout | |
| | | | | TORX | | | |
| | | | | SPLO# | | | |

USA & Canada Prices Effective June 3, 2019



ASSA ABLOY

The global leader in door opening solutions

Norton and Rixson are brands associated with ASSA ABLOY Access and Egress Hardware Group, Inc., an ASSA ABLOY Group company. Copyright© 2002-2019, ASSA ABLOY Access and Egress Hardware Group, Inc. All rights reserved. Reproduction in whole or in part without the express written permission of ASSA ABLOY Access and Egress Hardware Group, Inc. is prohibited. Contact Norton: 877-974-2255 or visit www.nortondoорcontrols.com; Contact RIXSON: 800-457-5670 or visit www.rixson.com. In Canada contact us at: 800-461-3007 or visit www.assaabloydss.ca

Note that all fire rated openings must have a minimum of one intermediate pivot. See page 116
Options on page 97

Standard Weight/Duty 3/4" Offset

| Model | Complete Closer Specify Model, Hand & Degree (If Hold Open) | LAP Specify Model, Hand & Degree (If Hold Open) | Top Pivot Pkg | Bottom Arm Pkg | Floor Plate Pkg | Cement Case Pkg |
|---|--|--|------------------|-------------------|--------------------|--------------------|
|  | 5103NBC 5104NBC 5105NBC | 5103NBC LAP 5104NBC LAP 5105NBC LAP | 180 | 252050R* | 4000500R*XXE | 4000301 |
| | | | | 252050L* | 4000500L*XXE | |
| | \$1,739.00 | \$1,160.00 | \$228.00 | \$121.00 | \$115.00 | \$115.00 |
| | 5103ABC 5104ABC 5105ABC | 5103ABC LAP 5104ABC LAP 5105ABC LAP | 180 | 252050R* | 4000500R*XXE | 4000301 |
| | | 252050L* | | 4000500L*XXE | | |
| \$1,795.00 | \$1,216.00 | \$228.00 | \$121.00 | \$115.00 | \$115.00 | |
|  | F5103NBC F5104NBC F5105NBC (UL) | 5103NBC LAP 5104NBC LAP 5105NBC LAP | F180 | 252050R* | 4000500R*XXE | 4000301 |
| | | | | 252050L* | 4000500L*XXE | |
| | \$2,045.00 | \$1,160.00 | \$534.00 | \$121.00 | \$115.00 | \$115.00 |

*Finish required, see page 98

NBC = Non-Hold open with backcheck ABC = Automatic Hold Open with backcheck

Note: Buying program discount on Pivots applies when Pivots are ordered separately

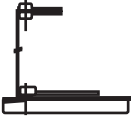
LAP= Less All Parts

**Pricing for Offset 1-3/4 thick doors hung on standard 4-1/2 x 4-1/2 butts or 3/4 offset pivots. For all other hanging means or door thicknesses, consult factory. Prices will be affected and will not carry any buy program or quote discounting.

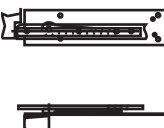
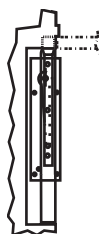
Note that all fire rated openings must have a minimum of one intermediate pivot. See page 116
Options on page 97

Rixson Shallow
Depth Floor Closers

Standard Weight/Duty 1-1/2" Offset

| Model | Complete Closer Specify Model, Hand & Degree (If Hold Open) | LAP Specify Model, Hand & Degree (If Hold Open) | Top Pivot Pkg | Bottom Arm Pkg | Floor Plate Pkg | Cement Case Pkg |
|---|--|--|------------------|-------------------|--------------------|--------------------|
|  | 5103NBC x 1-1/2OS 5104NBC x 1-1/2OS 5105NBC x 1-1/2OS | 5103NBC LAP 5104NBC LAP 5105NBC LAP | 180 x 1-1/2OS | 252060R* | 4000500R*XXE | 4000301 |
| | | | | 252060L* | 4000500L*XXE | |
| | \$1,987.00 | \$1,160.00 | \$411.00 | \$186.00 | \$115.00 | \$115.00 |
| | 5103ABC x 1-1/2OS 5104ABC x 1-1/2OS 5105ABC x 1-1/2OS | 5103ABC LAP 5104ABC LAP 5105ABC LAP | 180 x 1-1/2OS | 252060R* | 4000500R*XXE | 4000301 |
| | | | | 252060L* | 4000500L*XXE | |
| | \$2,043.00 | \$1,216.00 | \$411.00 | \$186.00 | \$115.00 | \$115.00 |
| F5103NBC x 1-1/2OS F5104NBC x 1-1/2OS F5105NBC x 1-1/2OS (UL) | 5103NBC LAP 5104NBC LAP 5105NBC LAP | F180 x 1-1/2OS | 252060R* | 4000500R*XXE | 4000301 | |
| | | | 252060L* | 4000500L*XXE | | |
| \$2,438.00 | \$1,160.00 | \$862.00 | \$186.00 | \$115.00 | \$115.00 | |

Independently Hung (HANGING MEANS AFFECT PRICING AND MUST BE NOTED WHEN ORDERING)

| Model | Complete Closer Specify Model, Hand and Hanging Means | LAP Specify Model & Hand | Top Pivot Pkg | Bottom Arm Pkg | Floor Plate Pkg | Cement Case Pkg |
|---|---|---|------------------|-------------------|--------------------|--------------------|
|  | **F5303NBC **F5304NBC **F5305NBC (UL) | 5303NBC LAP 5304NBC LAP 5305NBC LAP | N/A | 3252010-* | 4000600-*XXE | 4000301 |
| | \$1,748.00 | \$1,160.00 | | | | |
|  | **F5313NBC (UL) **F5314NBC **F5315NBC | 5313NBC LAP 5314NBC LAP 5315NBC LAP | FM19 | 3252010-* | 4000600-*XXE | 4000301 |
| | \$2,503.00 | \$1,220.00 | | | | |

*Finish required, see page 98

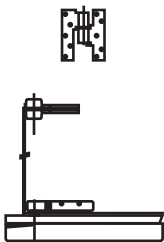
NBC = Non-Hold open with backcheck ABC = Automatic Hold Open with backcheck

Note: Buying program discount on Pivots applies when Pivots are ordered separately LAP= Less All Parts

**Pricing for Offset 1-3/4 thick doors hung on standard 4-1/2 x 4-1/2 butts or 3/4 offset pivots. For all other hanging means or door thicknesses, consult factory. Prices will be affected and will not carry any buy program or quote discounting.

Note that all fire rated openings must have a minimum of one intermediate pivot. See page 116
Options on page 97

Standard Weight/Duty Quick Install

| Model | Complete Closer Specify Model, Hand & Degree (If Hold Open) | LAP Specify Model, Hand & Degree (If Hold Open) | Top Pivot Pkg | Bottom Arm Pkg | Floor Plate Pkg | Cement Case Pkg | Intermediate Pivot |
|---|--|--|------------------|-------------------|--------------------|--------------------|-----------------------|
|  | Q5103NBC Q5104NBC Q5105NBC | Q5103NBC LAP Q5104NBC LAP Q5105NBC LAP | 180 | 222050R* | 4000501R*XXE | 4000301 | M19 |
| | | | | 222050L* | 4000501L*XXE | | |
| | \$2,268.00 | \$1,237.00 | \$228.00 | \$246.00 | \$115.00 | \$115.00 | \$327.00 |
| | Q5103ABC Q5104ABC Q5105ABC | Q5103ABC LAP Q5104ABC LAP Q5105ABC LAP | 180 | 222050R* | 4000501R*XXE | 4000301 | M19 |
| | | | | 222050L* | 4000501LXXE* | | |
| | \$2,324.00 | \$1,293.00 | \$228.00 | \$246.00 | \$115.00 | \$115.00 | \$327.00 |
| | FQ5103NBC FQ5104NBC FQ5105NBC (UL) | Q5103NBC LAP Q5104NBC LAP Q5105NBC LAP | F180 | 222050R* | 4000501R*XXE | 4000301 | FM19 |
| | | | | 222050L* | 4000501L*XXE | | |
| | \$2,942.00 | \$1,237.00 | \$534.00 | \$246.00 | \$115.00 | \$115.00 | \$695.00 |
| | QT5103NBC QT5104NBC QT5105NBC | Q5103NBC LAP Q5104NBC LAP Q5105NBC LAP | 180 | 222050R* | N/A | 4000301 | M19 |
| | | | | 222050L* | | | |
| | \$2,153.00 | \$1,237.00 | \$228.00 | \$246.00 | - | \$115.00 | \$327.00 |
| QT5103ABC QT5104ABC QT5105ABC | Q5103ABC LAP Q5104ABC LAP Q5105ABC LAP | 180 | 222050R* | N/A | 4000301 | M19 | |
| | | | 222050L* | | | | |
| \$2,209.00 | \$1,293.00 | \$228.00 | \$246.00 | - | \$115.00 | \$327.00 | |
| FQT5103NBC FQT5104NBC FQT5105NBC | Q5103NBC LAP Q5104NBC LAP Q5105NBC LAP | F180 | 222050R* | N/A | 4000301 | FM19 | |
| | | | 222050L* | | | | |
| \$2,827.00 | \$1,237.00 | \$534.00 | \$246.00 | - | \$115.00 | \$695.00 | |

*Finish required, see page 98

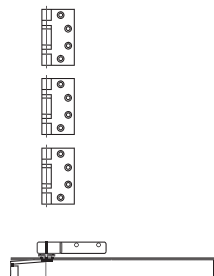
NBC = Non-Hold open with backcheck ABC = Automatic Hold Open with backcheck

Note: Buying program discount on Pivots applies when Pivots are ordered separately

LAP= Less All Parts

Note that all fire rated openings must have a minimum of 3 hinges.
Options on page 97

Standard Weight/Duty HM Door and Frame Preps

| Model | Complete Closer Specify Model, Hand & Degree (If Hold Open) | LAP Specify Model, Hand & Degree (If Hold Open) | Hinge Pkg (3 per pkg) | Bottom Arm Pkg | Floor Plate Pkg | Cement Case Pkg |
|---|--|---|--------------------------|--------------------------|------------------------------|--------------------|
|  | HM5103NBC HM5104NBC HM5105NBC | 5103NBC LAP 5104NBC LAP 5105NBC LAP | 254545*PK | 222050R*HM 222050L*HM | 4000501R*XXE 4000501L*XXE | 4000301 |
| | \$2,285.00 | \$1,160.00 | \$649.00 | \$246.00 | \$115.00 | \$115.00 |
| | HM5103ABC HM5104ABC HM5105ABC | 5103ABC LAP 5104ABC LAP 5105ABC LAP | 254545*PK | 222050R*HM 222050L*HM | 4000501R*XXE 4000501L*XXE | 4000301 |
| | \$2,341.00 | \$1,216.00 | \$649.00 | \$246.00 | \$115.00 | \$115.00 |
| | FHM5103NBC FHM5104NBC FHM5105NBC (UL) | 5103NBC LAP 5104NBC LAP 5105NBC LAP | 254545*PK | 222050R*HM 222050L*HM | 4000501R*XXE 4000501L*XXE | 4000301 |
| | \$2,285.00 | \$1,160.00 | \$649.00 | \$246.00 | \$115.00 | \$115.00 |

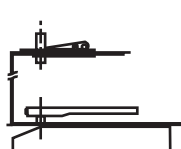
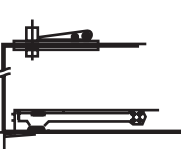
*Finish required, see page 98

NBC = Non-Hold open with backcheck ABC = Automatic Hold Open with backcheck

Note: Buying program discount on pivots applies when pivots are ordered separately.

LAP= Less All Parts

Standard Weight /Duty Single Acting

| Model | Complete Closer Specify Model, Hand & Degree (If Hold Open) | LAP Specify Model, Hand & Degree (If Hold Open) | Top Pivot Pkg | Bottom Arm Pkg | Floor Plate Pkg | Cement Case Pkg |
|---|--|--|------------------|-------------------|--------------------|--------------------|
|  | 5013NBC x 554 5014NBC x 554 5015NBC x 554 | 5013NBC LAP 5014NBC LAP 5015NBC LAP | 340 | 282554 | 4000600-*XXE | 4000301 |
| | \$1,686.00 | \$1,160.00 | \$148.00 | \$148.00 | \$115.00 | \$115.00 |
| | 5013ABC x 554 5014ABC x 554 5015ABC x 554 | 5013ABC LAP 5014ABC LAP 5015ABC LAP | 340 | 282554 | 4000600-*XXE | 4000301 |
| | \$1,742.00 | \$1,216.00 | \$148.00 | \$148.00 | \$115.00 | \$115.00 |
|  | 5013NBC 5014NBC 5015NBC | 5013NBC LAP 5014NBC LAP 5015NBC LAP | 340 | 282026* | 4000600-*XXE | 4000301 |
| | \$1,686.00 | \$1,160.00 | \$148.00 | \$148.00 | \$115.00 | \$115.00 |
| | 5013ABC 5014ABC 5015ABC | 5013ABC LAP 5014ABC LAP 5015ABC LAP | 340 | 282026* | 4000600-*XXE | 4000301 |
| | \$1,742.00 | \$1,216.00 | \$148.00 | \$148.00 | \$115.00 | \$115.00 |

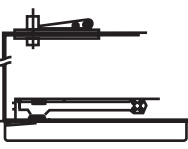
*Finish required, see page 98

NBC = Non-Hold open with backcheck ABC = Automatic Hold Open with backcheck

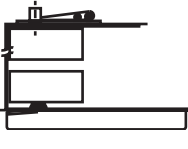
Note: Buying program discount on Pivots applies when Pivots are ordered separately

LAP= Less All Parts

Standard Weight/Duty Double Acting

| Model | Complete Closer Specify Model, Hand & Degree (If Hold Open) | LAP Specify Model, Hand & Degree (If Hold Open) | Top Pivot Pkg | Bottom Arm Pkg | Floor Plate Pkg | Cement Case Pkg |
|---|--|--|------------------|-------------------|--------------------|--------------------|
|  | 5023NBC 5024NBC 5025NBC | 5023NBC LAP 5024NBC LAP 5025NBC LAP | 340 | 282026* | 4000600-*XXE | 4000301 |
| | \$1,765.00 | \$1,239.00 | \$148.00 | \$148.00 | \$115.00 | \$115.00 |
| | 5023ABC 5024ABC 5025ABC | 5023ABC LAP 5024ABC LAP 5025ABC LAP | 340 | 282026* | 4000600-*XXE | 4000301 |
| | \$1,821.00 | \$1,295.00 | \$148.00 | \$148.00 | \$115.00 | \$115.00 |

Patch Fittings Single Acting

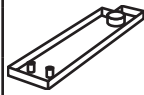


| Model | Complete Closer Specify Model, Hand & Degree (If Hold Open) | LAP Specify Model, Hand & Degree (If Hold Open) | Top Patch | Bottom Patch | Floor Plate | Cement Case |
|---|--|--|-----------|--------------|--------------|-------------|
|  | 5043NBC 5044NBC 5045NBC | 5043NBC LAP 5044NBC LAP 5045NBC LAP | 7494*PK | 7495*PK | 4000600-*XXE | 4000301 |
| | \$2,041.00 | \$1,160.00 | \$317.00 | \$334.00 | \$115.00 | \$115.00 |
| | 5043ABC 5044ABC 5045ABC | 5043ABC LAP 5044ABC LAP 5045ABC LAP | 7494*PK | 7495*PK | 4000600-*XXE | 4000301 |
| | \$2,097.00 | \$1,216.00 | \$317.00 | \$334.00 | \$115.00 | \$115.00 |

*Finish required, see page 98
 NBC = Non-Hold open with backcheck ABC = Automatic Hold Open with backcheck
 Note: Buying program discount on pivots applies when pivots are ordered separately.
 LAP= Less All Parts

Quick Reference Options

| Prefix | Description | Price |
|----------|--|---|
| DA | Delayed Action holds door open at 70 degrees for up to 40 seconds. Closers with this feature will not have backcheck. DA cannot be ordered with hold open closers | \$154.00 |
| W | For center hung wood doors using arm 282026. | \$0.00 |
| Suffix | Description | Price |
| Ext Spdl | To accommodate special floor conditions, the spindle can be ordered with longer spindle 1/2" increments up to and including 2" longer. | \$77.00 |
| Torx | Security screws. Only provided for screws visible. | \$255.00 |
| -20 | 20 minute UL listing for smoke doors. Do not prefix F. | \$26.00 |
| SPLO | Special layout that may require special templating and/or products | Excluded from buying program Consult factory for pricing |
| SC | Sealing a closer protects it from moisture. Cement case and closer body are gasketed and fastened together. Closer must be ordered with cement case and shipped at the same time | \$147.00 |

Door Control Accessories

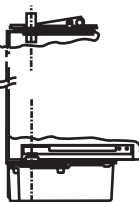
| | | | |
|---|---------|--|------------|
|  | 2637* | Cover Pan for 51 closer, specify depth. | \$1,063.00 |
| | 2807D* | Cover Pan for 53 closer, specify depth. | \$1,063.00 |
| | 2807B* | Cover Pan for 50 closer x 554 flat arm, specify depth. | \$1,063.00 |
| | 2807A* | Cover Pan for 50 closer, centering arm, specify depth. | \$1,063.00 |
|  | 60131 | Lock edge applied stop for center hung doors, specify finish | \$79.00 |
|  | 1855051 | 50/51/53 Quickspotter. Quickspotter Installation Tool for 50/51/53 | \$105.00 |

*Specify stainless steel or brass


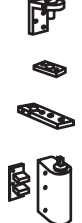

| F Prefix | 510 Model | 3 Spring Size | NBC Function | x 1-1/2" Offset Suffix | x RH Hand | x 626 Finish |
|----------|-----------------------|---|---|--|---|-------------------|
| DA | Delayed Action | 510 Offset | NBC = Non-Hold Open ABC = Automatic Hold Open Specify Degree | 554 Flat Arm Extended Spindles | Blank (5020) RH Right Hand LH Left Hand | 605 Bright Brass |
| F | Fire Rated Doors | 530 Independently Hung Parallel to Frame | | 1-1/2" Offset | | 606 Satin Brass |
| W | Wood Dr (center hung) | 531 Independently Hung Perpendicular to Frame | | -20 20 Minute Label | | 611 Bright Bronze |
| | | 501 Center Hung Single Acting | | LAP Closer Body Only | | 612 Satin Bronze |
| | | 502 Center Hung Double Acting | | LFP Less Floor Plate | | 613 Dark Bronze |
| | | 504 Center Hung with Patch Fittings | LCC Less Cement Case | 613E Dark Oxidized Satin Bronze - Equivalent | | |
| | | | LTP Less Top Pivot | 618 Bright Nickel | | |
| | | | - Cover Pan (x Depth) | 619 Satin Nickel | | |
| | | | SPLO Special Layout # | 622 Flat Black | | |
| | | | | 625 Bright Chrome | | |
| | | | | 626 Satin Chrome | | |
| | | | | BSP Black Suede | | |
| | | | | WSP White Suede | | |

Options, see page 101


Duo Chek® Double Acting

| Model | Complete Closer Specify Model | LAP Specify Model | Top Pivot Pkg | Bottom Arm Pkg | Floor Plate Pkg | Cement Case Pkg |
|---|-------------------------------|-------------------|---------------|----------------|-----------------|-----------------|
|  | 10 15 | 10 LAP 15 LAP | 101020* | 102026-* | 104020-* | 103000* |
| | \$1,175.00 | \$680.00 | \$162.00 | \$115.00 | \$82.00 | \$136.00 |
| | 12 16 | 12 LAP 16 LAP | 101020* | 102026-* | 104020- | 103000-* |
| | \$1,115.00 | \$620.00 | \$162.00 | \$115.00 | \$82.00 | \$136.00 |

Gate Closers

| Model | Complete Closer Specify Model | LAP Specify Model | Top Pivot Pkg | Bottom Arm Pkg | Floor Plate Pkg | Cement Case Pkg |
|---|-------------------------------|-------------------|---------------|----------------|-----------------|-----------------|
|  | 354 | X03540370-* | 3541020-* | 3542026-* | N/A | N/A |
| | 355 | | 3551020-* | 3542026* | N/A | N/A |
| | \$1,447.00 | | \$922.00 | \$259.00 | \$266.00 | - |
|  | 356 | X03540370-* | 3541020-* | 3562020-* | N/A | N/A |
| | 357 | | 3551020-* | 3562020* | N/A | N/A |
| | \$1,447.00 | | \$922.00 | \$259.00 | \$266.00 | - |
| Independently Hung  | 359 | X03540370-* | N/A | 3592010-* | N/A | N/A |
| | \$1,448.00 | \$922.00 | - | \$526.00 | - | - |

Security Closers

| Model | Complete Closer Specify Model, Hand | LAP Specify Model, Hand | Top Pivot Pkg | Bottom Arm Pkg | Floor Plate Pkg | Cement Case Pkg |
|---|-------------------------------------|-------------------------|---------------|----------------|-----------------|-----------------|
|  | SEC27-180N | SEC27-180N LAP | FA180 | 252056R* | 274056* | 253001SEC |
| | | | | 252056L* | | |
| | \$3,238.00 | \$1,336.00 | \$587.00 | \$214.00 | \$745.00 | \$356.00 |

*Finish required, see page 101

Note: Buying program discount on pivots applies when pivots are ordered separately.

LAP= Less All Part

ASSA ABLOY

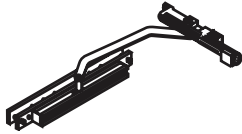
The global leader in door opening solutions

USA & Canada Prices Effective June 3, 2019

Norton and Rixson are brands associated with ASSA ABLOY Access and Egress Hardware Group, Inc., an ASSA ABLOY Group company. Copyright© 2002-2019, ASSA ABLOY Access and Egress Hardware Group, Inc. All rights reserved. Reproduction in whole or in part without the express written permission of ASSA ABLOY Access and Egress Hardware Group, Inc. is prohibited. Contact Norton: 877-974-2255 or visit www.nortondoortcontrols.com; Contact RIXSON: 800-457-5670 or visit www.rixson.com. In Canada contact us at: 800-461-3007 or visit www.assaabloydss.ca

Options, see page 101

Exterior Gate Closer

| Model | Complete Closer Specify Model |
|---|----------------------------------|
|  | 1351 |
| | \$618.00 |

Rixson
Specialty Closers

**Finish required, see page 101*

Non-Hold open Only

Note: Buying program discount on pivots applies when pivots are ordered separately.

LAP= Less All Parts

Quick Reference Options

| Prefix | Description | Price |
|-----------------|---|---|
| PH | Physically Handicapped 5# of opening force in compliance to ADA standard for interior doors. If used on exterior or fire doors, the low opening force may not be enough to close the door. Not available on gate closers or SEC closers. | \$92.00 |
| Suffix | Description | |
| Ext Spdl | To accommodate special floor conditions, the spindle can be ordered in 1/2" increments up to and including 2" Closer must be ordered with longer spindle, it cannot be field adjusted. Not available on gate closers. | \$77.00 |
| SPLO | Special layout that may require special templating and/or products | Excluded from buying programs - contact factory for pricing |

How To Order

| Prefix | Sec 27 Model | N Hold Open | x LTP Suffix | x RH Hand | x 689 Finish |
|-------------------------|-------------------------|---|---------------------------|--|--|
| PH Lighter Spring (ADA) | 10 Duo Chek (Hold Open) | Blank = Not Applicable N = Non-Hold Open | 1-1/2OS 1-1/2" Offset | Blank (10, 12, 15, 16, 354, 355, 356, 357, 359) RH Right Hand LH Left Hand | 605 Bright Brass |
| | 12 Duo Chek | | Ext Spdl Extended Spindle | | 606 Satin Brass |
| | 15 Duo Chek (Hold Open) | | LAP Less All Parts | | 611 Bright Bronze |
| | 16 Duo Chek | | LFP Less Floor Plate | | 612 Satin Bronze |
| | 354 Gate | | LCC Less Cement Case | | 613 Dark Bronze |
| | 355 Gate | | LTP Less Top Pivot | | 613E Dark Oxidized Satin Bronze - Equivalent |
| | 356 Gate | | Depth for Cover Pan | | 618 Bright Nickel |
| | 357 Gate | | SPLO# Special Layout | | 619 Satin Nickel |
| | 359 Gate | | | | 622 Flat Black |
| | SEC27 | | | | 625 Bright Chrome |
| | -180 Security | | | | 626 Satin Chrome (Sprayed finishes 350 Series gate closers only) |
| | 1351 Exterior Gate | | | | 689 Sprayed Aluminum |
| | | | | | 690 Sprayed Dark Bronze |
| | | | | | 691 Sprayed Light Bronze |
| | | 693 Sprayed Black -1350 and 1351 | | | |
| | | 696 Sprayed Brass | | | |
| | | BSP Black Suede | | | |
| | | WSP White Suede | | | |

RIXSON



ASSA ABLOY

The global leader in
door opening solutions

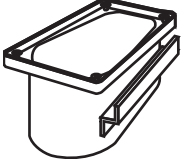
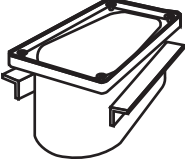
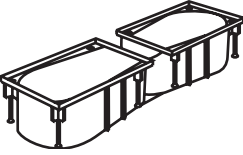
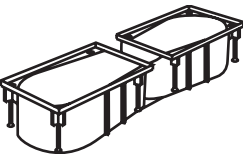
USA & Canada Prices Effective June 3, 2019

Norton and Rixson are brands associated with ASSA ABLOY Access and Egress Hardware Group, Inc., an ASSA ABLOY Group company.
Copyright© 2002-2019, ASSA ABLOY Access and Egress Hardware Group, Inc. All rights reserved. Reproduction in whole or in part
without the express written permission of ASSA ABLOY Access and Egress Hardware Group, Inc. is prohibited.
Contact Norton: 877-974-2255 or visit www.nortondoорcontrols.com; Contact RIXSON: 800-457-5670 or visit www.rixson.com.
In Canada contact us at: 800-461-3007 or visit www.assaabloydss.ca

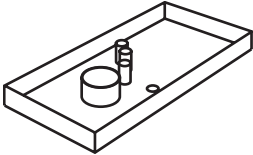
Roller Mate® Caster

| Model | Description | Price |
|--|-------------------------------|--------------|
|  10600 | Single Roller Caster | See Page 121 |
|  10602 | Double Roller Caster | See Page 121 |
|  10600-025 for 10600 10600-028 for 10602 | Hollow Metal Reinforced Plate | See Page 121 |

Special Cement Cases

| Model | Description | Price |
|---|--|-------------|
|  1101 | Cement Case for use with expansion joints, handed | See Page 90 |
|  79501 | Cement Case for use with shallow floors | See Page 90 |
|  25204 | Twin Cement Case 1-7/8" Mullion for back to back closers. Must be ordered with closers | See Page 90 |
|  25304 | Twin Cement Case 2" Mullion for back to back closers. Must be ordered with closers. | See Page 90 |

Cover Pans

| Model | Description | Price | |
|---|--|---|-------------|
|  | 846* | Cover Pan for 27 closer, specify depth, hand. 1-3/4 doors only. | See Page 90 |
| | 3910* | Cover Pan for L27 closer, specify depth, hand. 1-3/4 doors only | See Page 90 |
| | 2237* | Cover Pan for 28 closer x 554 flat arm, specify depth, hand. | See Page 90 |
| | 841* | Cover Pan for 28 closer, centering arm, specify depth, hand. | See Page 90 |
| | 841B* | Cover Pan for H28 and H28 x 587 arm closers, specify depth, hand. | See Page 90 |
| | 2637* | Cover Pan for 51 closer, specify depth, hand. 1-3/4 doors only. | See Page 97 |
| | 2807D* | Cover Pan for 53 closer, specify depth, hand. | See Page 97 |
| | 2807B* | Cover Pan for 50 closer x 554 flat arm, specify depth, hand. | See Page 97 |
| 2807A* | Cover Pan for 50 closer, centering arm, specify depth, hand. | See Page 97 | |

*Finish required, stainless steel or brass

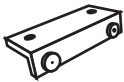
USA & Canada Prices Effective June 3, 2019

ASSA ABLOY


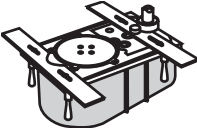
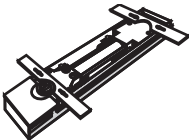
The global leader in door opening solutions

Norton and Rixson are brands associated with ASSA ABLOY Access and Egress Hardware Group, Inc., an ASSA ABLOY Group company. Copyright© 2002-2019, ASSA ABLOY Access and Egress Hardware Group, Inc. All rights reserved. Reproduction in whole or in part without the express written permission of ASSA ABLOY Access and Egress Hardware Group, Inc. is prohibited. Contact Norton: 877-974-2255 or visit www.nortondoortcontrols.com; Contact RIXSON: 800-457-5670 or visit www.rixson.com. In Canada contact us at: 800-461-3007 or visit www.assaabloydss.ca

Applied Stop

| Model | | Description | Price |
|---|----------------|--|-------------|
|  | 60131 | Lock edge applied stop for single acting center hung doors | See Page 97 |
| | Specify Finish | | |


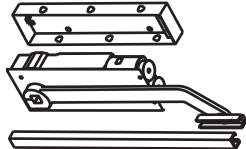

Installation Tools

| Model | | Description | Price |
|--|---------|--|--------------|
|  | 2604 | Pivot Alignment Tool | See Page 121 |
| | 2608 | Pivot Alignment Tool for H340 and H345 | |
|  | 1859001 | 27/28/30/40 Quickspotter Installation Tool | See Page 90 |
| | 1859501 | Q27 Quickspotter Installation Tool | See Page 90 |
|  | 1855051 | 50/51/53 Quickspotter Installation Tool | See Page 97 |

Rixson Door Control Accessories

Options, see page 107

Offset Hung

| Model | Complete Closer Specify Model and Degree (If Hold Open) | LAP Specify Model and Degree (If Hold Open) | Mounting Bracket/ Channel | Top Arm & Rail Package | Cover Plate Pkg |
|---|--|---|------------------------------|---------------------------|--------------------|
|  | 0608 | 608 LAP | 608019 | 06082012-* | N/A |
| | \$749.00 | \$479.00 | \$52.00 | \$218.00 | - |
|  | M0608 | 608 LAP | 608049PKG | 06082012-* | 6084000* |
| | \$1,017.00 | \$479.00 | \$198.00 | \$218.00 | \$122.00 |
| | MW0608 | 608 LAP | 608049PKG | 06082012-* | 6084000* |
| | \$1,017.00 | \$479.00 | \$198.00 | \$218.00 | \$122.00 |
| | W0608 | 608 LAP | 608049PKG | 06082012-* | 6084000* |
| \$1,017.00 | \$479.00 | \$198.00 | \$218.00 | \$122.00 | |
|  | AW0608 | 608 LAP | 608019 | 06082012-* | N/A |
| | \$749.00 | \$479.00 | \$52.00 | \$218.00 | - |

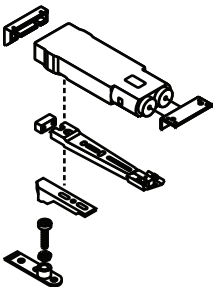
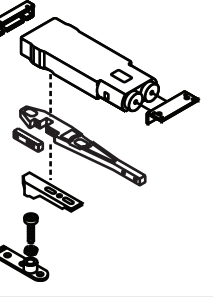
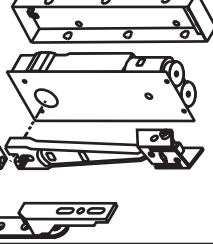
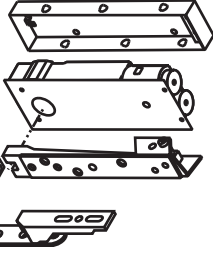
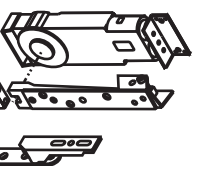
See model 547 pivot set on page 114 as a method to hang doors.

Pricing for 1-3/4 thick doors hung on standard 4-1/2 x 4-1/2 butts or 3/4 offset pivots. For all other hanging means or door thicknesses, consult factory. Prices will be affected and will not carry any buy program or quote discounting.

*Finish required, sprayed finishes only see page 107 - Arms are sprayed finishes only
N = Non-Hold open A = Automatic Hold Open
LAP = Less All Parts

Options, see page 107

Center Hung

| Model | Complete Closer Specify Model and Degree (If Hold Open) | LAP Specify Model and Degree (If Hold Open) | Mounting Bracket/Channel | Top Arm Package | Bottom Pivot Package | Cover Plate Pkg |
|---|---|---|--------------------------|-----------------|----------------------|-----------------|
|  | 608EL | 608 LAP | 608019 | 6002020 | 608011A | N/A |
| | \$756.00 | \$479.00 | \$52.00 | \$77.00 | \$148.00 | - |
|  | 608SL | 608 LAP | 608019 | 608005S | 608011A | NA |
| | \$756.00 | \$479.00 | \$52.00 | \$77.00 | \$148.00 | - |
|  | M608 | 608 LAP | 608049PKG | 6002020 | 608011A | 6084000* |
| | \$1,024.00 | \$479.00 | \$198.00 | \$77.00 | \$148.00 | \$122.00 |
|  | MW608 | 608 LAP | 608049PKG | 6002021 | 608011A | 6084000* |
| | \$1,024.00 | \$479.00 | \$198.00 | \$77.00 | \$148.00 | \$122.00 |
| | W608 | 608 LAP | 608049PKG | 6002021 | 608011A | 6084000* |
| | \$1,024.00 | \$479.00 | \$198.00 | \$77.00 | \$148.00 | \$122.00 |
|  | AW608 | 608 LAP | 608019 | 6002021 | 608011A | N/A |
| | \$756.00 | \$479.00 | \$52.00 | \$77.00 | \$148.00 | - |

*Finish required, sprayed finishes only see page 107
N = Non-Hold open A = Automatic Hold Open
LAP = Less All Parts

USA & Canada Prices Effective June 3, 2019

ASSA ABLOY

The global leader in door opening solutions

Norton and Rixson are brands associated with ASSA ABLOY Access and Egress Hardware Group, Inc., an ASSA ABLOY Group company. Copyright© 2002-2019, ASSA ABLOY Access and Egress Hardware Group, Inc. All rights reserved. Reproduction in whole or in part without the express written permission of ASSA ABLOY Access and Egress Hardware Group, Inc. is prohibited. Contact Norton: 877-974-2255 or visit www.nortondoorcontrols.com; Contact RIXSON: 800-457-5670 or visit www.rixson.com. In Canada contact us at: 800-461-3007 or visit www.assaabloydss.com

Quick Reference Options


| Suffix | Description | Price |
|---------------|---|----------|
| 1/2 Ext Spdle | Longer spindle for unique head conditions | \$180.00 |

How To Order

| Commodity Grade Closer Model | | | | | | | |
|------------------------------|----------------------------|----------------------|---------------|------------------------|------------------|----------------------|---|
| M608 Model | | 90A Hold Open or Not | | x 1/2" Ext Spdl Suffix | | x 626 Finish | |
| Offset Hung | | 90A | Hold Open | 1/2" | Extended Spindle | 605 | Bright Brass |
| 0608 | Aluminum Dr & Fr | 105A | Hold Open | | | 606 | Satin Brass |
| M0608 | Metal Dr & Fr | N | Non-Hold Open | | | 611 | Bright Bronze |
| MW0608 | Wood Dr & Metal Fr | | | | | 612 | Satin Bronze |
| W0608 | Wood Dr and Fr | | | | | 613 | Dark Bronze |
| AW0608 | Wood Dr and Alum Fr | | | | | 613E | Dark Oxidized Satin Bronze - Equivalent |
| Center Hung | | | | | | 618 | Bright Nickel |
| 608EL | End Load Arm Alum Dr & Fr | | | | | 619 | Satin Nickel |
| 608SL | Side Load Arm Alum Dr & Fr | | | | | 622 | Flat Black |
| M608 | Metal Dr & Fr | | | | | 625 | Bright Chrome |
| MW608 | Wood Dr & Metal Fr | | | | | 626 | Satin Chrome |
| W608 | Wood Dr & Fr | | | | | <u>For Arms Only</u> | |
| AW608 | Wood Dr and Alum Fr | | | | | 689 | Sprayed Aluminum |
| | | | | | | 690 | Sprayed Dark Bronze |
| | | | | | | 691 | Sprayed Light Bronze |
| | | | | | | 696 | Sprayed Brass |
| | | | | | | BSP | Black Suede |
| | | | | | | WSP | White Suede |

Options, see page 111

Offset Hung

| | | | | |
|---|--|--|------------|--|
|  | Complete Closer Specify Hand and Finish | 689, 690, 691, 693, 696, 613E, BSP, WSP | 626 | 605, 606, 612, 613, 618, 619, 625 |
| | PH91N | \$1,051.00 | \$1,435.00 | \$1,541.00 |
| | 91N | | | |
| | PH91H | \$1,071.00 | \$1,455.00 | \$1,561.00 |
| | 91H | | | |
| | WPH91N | \$1,151.00 | \$1,535.00 | \$1,641.00 |
| | W91N | | | |
| | WPH91H | \$1,171.00 | \$1,555.00 | \$1,661.00 |
| | W91H | | | |
| | Less All Parts Specify Hand and Finish | 689, 690, 691, 693, 696, 613E, BSP, WSP | 626 | 605, 606, 612, 613, 618, 619, 625 |
| | PH91N LAP | \$772.00 | \$1,124.00 | \$1,196.00 |
| | 91N LAP | | | |
| | PH91H LAP | | | |
| | 91H LAP | | | |
| | PH91N LAP | | | |
| | 91N LAP | | | |
| PH91H LAP | | | | |
| 91H LAP | | | | |

See model 547 pivot on page 114 as a method to hang doors.

Pricing for 1-3/4 thick doors hung on standard 4-1/2 x 4-1/2 butts or 3/4 offset pivots. For all other hanging means or door thicknesses, consult factory. Prices will be affected and will not carry any buy program or quote discounting.

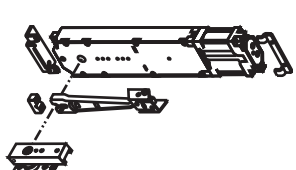
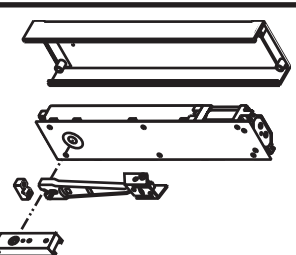
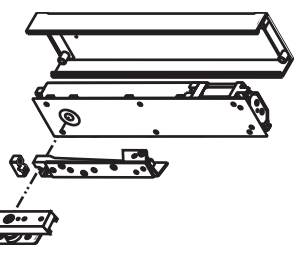
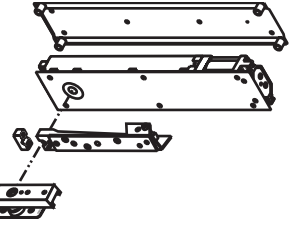
*Finish required, see page 111

N = Non-Hold open A = Automatic Hold Open

LAP = Less All Parts

Options, see page 111

Center Hung Single Acting

| Model | Complete Closer Specify Model Size, Hand and Degree | LAP Specify Model Size, Hand and Degree | Mounting Bracket/ Channel/ Plate | Top Arm Package | Bottom Pivot Package | Cover Plate Package |
|---|---|---|----------------------------------|-----------------|----------------------|-----------------------|
|  | 706 707 708 | 706 LAP 707 LAP 708 LAP | 1639000 | 8002020 | 2183020 | N/A |
| | \$1,931.00 | \$1,561.00 | \$60.00 | \$131.00 | \$179.00 | - |
|  | M706 M707 M708 | 706 LAP 707 LAP 708 LAP | 1929000 | 8002020 | 2183020 | 7004000R |
| | \$2,213.00 | \$1,561.00 | \$189.00 | \$131.00 | \$179.00 | 7004000L* \$153.00 |
|  | MW706 MW707 MW708 | 706 LAP 707 LAP 708 LAP | 1929000 | 8002021 | 2183020 | 7004000R* |
| | \$2,252.00 | \$1,561.00 | \$189.00 | \$170.00 | \$179.00 | 7004000L* \$153.00 |
|  | W706 W707 W708 | 706 LAP 707 LAP 708 LAP | 1989000 | 8002021 | 2183020 | 7004000R* |
| | \$2,252.00 | \$1,561.00 | \$189.00 | \$170.00 | \$179.00 | 7004000L* \$153.00 |

*Finish required, see page 111

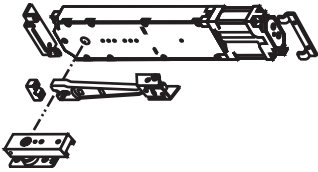
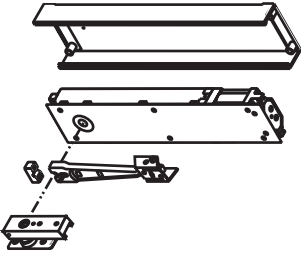
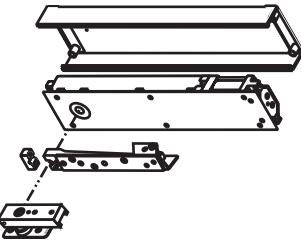
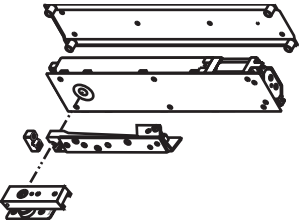
N = Non-Hold open A = Automatic Hold Open

LAP= Less All Parts

Rixson Overhead
Concealed Closers

Options, see page 111

Center Hung Double Acting

| Model | Complete Closer Specify Model Size and Degree | LAP Specify Model Size and Degree | Mounting Bracket/ Channel/ Plate | Top Arm Package | Bottom Pivot Package | Cover Plate Package |
|---|---|-----------------------------------|----------------------------------|-----------------|----------------------|---------------------|
|  | 806 807 808 | 806 LAP 807 LAP 808 LAP | 1639000 | 8002020 | 2183020 | N/A |
| | \$1,931.00 | \$1,561.00 | \$60.00 | \$131.00 | \$179.00 | - |
|  | M806 M807 M808 | 806 LAP 807 LAP 808 LAP | 1929000 | 8002020 | 2183020 | 8004000* |
| | \$2,241.00 | \$1,561.00 | \$189.00 | \$131.00 | \$179.00 | \$181.00 |
|  | MW806 MW807 MW808 | 806 LAP 807 LAP 808 LAP | 1929000 | 8002021 | 2183020 | 8004000* |
| | \$2,280.00 | \$1,561.00 | \$189.00 | \$170.00 | \$179.00 | \$181.00 |
|  | W806 W807 W808 | 806 LAP 807 LAP 808 LAP | 1989000 | 8002021 | 2183020 | 8004000* |
| | \$2,280.00 | \$1,561.00 | \$189.00 | \$170.00 | \$179.00 | \$181.00 |

*Finish required, see page 111
N = Non-Hold open A = Automatic Hold Open
LAP = Less All Parts

Quick Reference Options

| Suffix | Description | Price |
|---------------|---|---|
| 1/2 Ext Spdle | Longer spindle for unique frame conditions | \$378.00 |
| 199 | Decorative end caps for center hung wood doors (608, 700 & 800 models only) | \$92.00 |
| SPLO | Special templating and products | Excluded from buying programs - contact factory for pricing |

How To Order

| Architectural Grade Closer Models 700 & 800 | | | | | |
|--|---|--|---|---|--|
| M706 Model (specify spring size 6, 7, or 8) | 90A Degree | x 1/2" Ext Spdl Suffix | x RH Hand | x 626 Finish | |
| Single Acting Center Hung 700 Aluminum Dr. & Fr M700 Metal Dr & Fr MW700 Wood Dr & Metal Fr W700 Wood Dr & Fr | 90A Hold Open 105A Hold Open | 1/2"Extended Spindle SPLO Special Material Layout | Blank Dbl Acting RH Right Hand LH Left Hand | 605 Bright Brass 606 Satin Brass 611 Bright Bronze 612 Satin Bronze 613 Dark Bronze | |
| Double Acting Center Hung 800 Aluminum Dr & Fr M800 Metal Dr & Fr MW800 Wood Dr & Metal Fr W800 Wood Dr & Fr | 90N Non-Hold Open 105N Non-Hold Open | | | 613E Dark Oxidized Satin Bronze - Equivalent 618 Bright Nickel 619 Satin Nickel 622 Flat Black 625 Bright Chrome 626 Satin Chrome | |
| | | | | <u>ALL ARMS</u> 689 Sprayed Aluminum 690 Sprayed Dark Bronze 691 Sprayed Light Bronze 696 Sprayed Brass BSP Black Suede WSP White Suede | |

| Architectural Grade Closer Model 91 | | | | |
|--|------------------------------------|-------------------------------|-------------------------------|--|
| W91 (Model) | N (Function) | x 1/2" Extended Spdl (Suffix) | x RH Hand | x 626 Finish |
| 91 - 3-6 Spring PH - 1-3 Spring W - Wood Frame | N - Non-Hold Open H - Hold Open | 1/2"Extended Spindle | RH Right Hand LH Left Hand | 689 Sprayed Aluminum 690 Sprayed Dark Bronze 691 Sprayed Light Bronze 693 Sprayed Black 696 Sprayed Brass 605 Bright Brass 606 Satin Brass 611 Bright Bronze 612 Satin Bronze 613 Dark Bronze 613E Dark Oxidized Satin Bronze - equivalent 618 Bright Nickel 619 Satin Nickel 625 Bright Chrome 626 Satin Chrome BSP Black Suede WSP White Suede |

USA & Canada Prices Effective June 3, 2019

ASSA ABLOY

The global leader in door opening solutions

Norton and Rixson are brands associated with ASSA ABLOY Access and Egress Hardware Group, Inc., an ASSA ABLOY Group company. Copyright© 2002-2019, ASSA ABLOY Access and Egress Hardware Group, Inc. All rights reserved. Reproduction in whole or in part without the express written permission of ASSA ABLOY Access and Egress Hardware Group, Inc. is prohibited. Contact Norton: 877-974-2255 or visit www.nortondoortcontrols.com; Contact RIXSON: 800-457-5670 or visit www.rixson.com. In Canada contact us at: 800-461-3007 or visit www.assaabloydss.ca

RIXSON

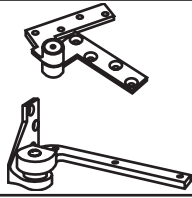
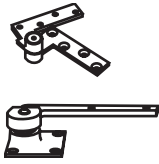
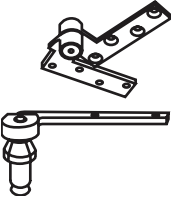
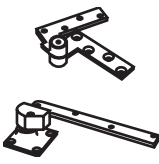
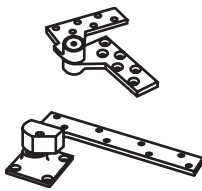
ASSA ABLOY

The global leader in
door opening solutions

USA & Canada Prices Effective June 3, 2019

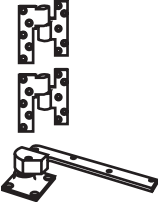
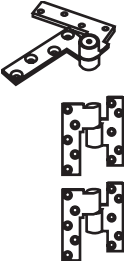
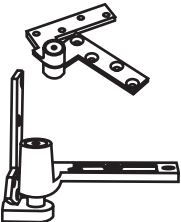
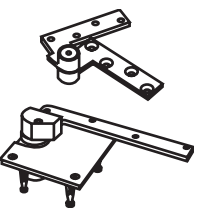
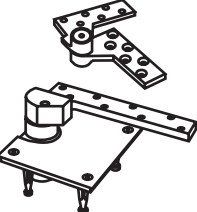
Norton and Rixson are brands associated with ASSA ABLOY Access and Egress Hardware Group, Inc., an ASSA ABLOY Group company.
Copyright© 2002-2019, ASSA ABLOY Access and Egress Hardware Group, Inc. All rights reserved. Reproduction in whole or in part
without the express written permission of ASSA ABLOY Access and Egress Hardware Group, Inc. is prohibited.
Contact Norton: 877-974-2255 or visit www.nortondoорcontrols.com; Contact RIXSON: 800-457-5670 or visit www.rixson.com.
In Canada contact us at: 800-461-3007 or visit www.assaabloydss.ca

Offset Hung Pivot Sets

| Model | Description | Painted | Plated |
|---|-------------------------------------|----------|------------|
|  117-1/4 | 3/4 Offset (includes 180 top pivot) | N/A | \$486.00 |
|  | 117 | N/A | \$486.00 |
| | 117 x 1-1/2OS | N/A | \$811.00 |
| | F117 | \$508.00 | \$854.00 |
| | F117 x 1-1/2OS | \$785.00 | \$1,274.00 |
| | 117-20 | N/A | \$505.00 |
|  173 | 3/4 Offset (includes 180 top pivot) | N/A | \$326.00 |
|  | 147 | N/A | \$685.00 |
| | 147 x 1-1/2OS | N/A | \$944.00 |
| | F147 | \$724.00 | \$1,036.00 |
| | F147 x 1-1/2OS | \$967.00 | \$1,380.00 |
| | 147-20 | N/A | \$701.00 |
| | 147-20 x 1-1/2OS | N/A | \$952.00 |
|  | L147 | N/A | \$961.00 |
| | L147 | N/A | \$1,386.00 |
| | FL147 | \$994.00 | \$1,371.00 |
| | L147-20 | N/A | \$971.00 |

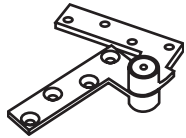
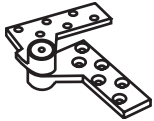


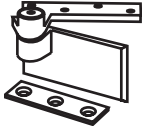
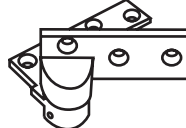
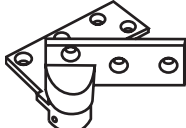

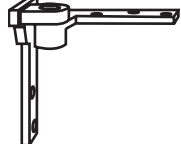
*Finish required, see page 121

Offset Hung Pivot Sets

| Model | | Description | Painted | Plated |
|---|--------------------|---|------------|------------|
|  | 547 | 3/4 Offset (includes 2 each M190 intermediate pivots) | N/A | \$768.00 |
| | F547 | Fire rated 3/4 Offset (includes 2 each FM190 intermediate pivots) | \$768.00 | \$1,084.00 |
|  | 165 | 3/4 Offset (includes 180 top pivot and 2 each M190 intermediate pivots) | N/A | \$1,035.00 |
| | 195 | 3/4 Offset (includes 180 top pivot) | N/A | \$670.00 |
|  | F195 | Fire rated 3/4 Offset (includes F180 top Pivot) | N/A | \$1,021.00 |
| | 117-1/2 | 3/4 Offset (includes 180 top pivot) | N/A | \$1,023.00 |
|  | 117-1/2 x 1-1/2OS | 1-1/2 Offset (includes 180 x 1-1/2OS top pivot) | N/A | \$1,265.00 |
| | 117-1/2-20 | 3/4 Offset 20 min (includes 180-20 top pivot) | N/A | \$1,043.00 |
| | F117-1/2 | Fire rated 3/4 Offset (includes F180 top pivot) | \$1,039.00 | \$1,274.00 |
| | F117-1/2 x 1-1/2OS | Fire rated 1-1/2 Offset (includes F180 x 1-1/2OS top pivot) | \$1,296.00 | \$1,723.00 |
| | L117 | 3/4 Offset x 1-3/4 door (includes L180 top pivot) | N/A | \$1,394.00 |
|  | L117 | 3/4 Offset x 2, 2-1/4, 2-1/2 or 3 doors (includes L180 top pivot) | N/A | \$1,819.00 |
| | FL117 | Fire rated 3/4 Offset x 1-3/4 door (includes FL180 top pivot) | \$1,432.00 | \$1,817.00 |
| | L117-20 | 3/4 Offset x 20 min x 1-3/4 door (includes L180-20 top pivot) | N/A | \$1,414.00 |

*Finish required, see page 121

Offset Hung Top Pivot

| Model | Description | Painted | Plated | |
|---|---------------------|--|----------|----------|
|  | 180 | 3/4 Offset | N/A | \$228.00 |
| | 180 x 1-1/2OS | 1-1/2 Offset | N/A | \$411.00 |
| | H180 | 3/4 Offset | N/A | \$302.00 |
| | H180 x 1-1/2OS | 1-1/2 Offset | N/A | \$478.00 |
| | F180 | Fire rated 3/4 Offset | \$251.00 | \$534.00 |
| | F180 x 1-1/2OS | Fire rated 1-1/2 Offset | \$422.00 | \$862.00 |
| | FH180 | Fire rated 3/4 Offset | \$327.00 | \$643.00 |
| | 180-20 | 3/4 Offset x 20 min | N/A | \$240.00 |
| | 180-20 x 1-1/2OS | 1-1/2 Offset x 20 min | N/A | \$414.00 |
| | H180-20 | 3/4 Offset x 20 min | N/A | \$319.00 |
|  | L180 | 3/4 Offset x 1-3/4 door | N/A | \$370.00 |
| | L180 | 3/4 Offset x 2, 2-1/4, 2-1/2, or 3 doors | N/A | \$558.00 |
| | L180-20 | 3/4 Offset x 20 min x 1-3/4 door only | N/A | \$383.00 |
| | FL180 | Fire rated 3/4 Offset x 1-3/4 door only | \$385.00 | \$782.00 |
|  | FA180 | 3/4 Offset | \$293.00 | \$587.00 |
| | | | | |
|  | 180 x 102 | 3/4 Offset | N/A | \$363.00 |
| | 180 x 102 x 1-1/2OS | 1-1/2 Offset | N/A | \$546.00 |
|  | 280 | 3/4 Offset | N/A | \$317.00 |
| | F280 | Fire rated 3/4 Offset | \$356.00 | \$714.00 |
| | 280-20 | 3/4 Offset x 20 min | N/A | \$331.00 |
|  | 380 | 3/4 Offset | N/A | \$317.00 |
| | F380 | Fire rated 3/4 Offset | \$356.00 | \$701.00 |
| | 380-20 | 3/4 Offset x 20 min | N/A | \$331.00 |
|  | L380 | 3/4 Offset x 1-3/4 door only | N/A | \$532.00 |
| | L380 | 3/4 Offset x 2, 2-1/4, 2-1/2, or 3 doors | N/A | \$736.00 |
| | FL380 | Fire rated 3/4 Offset x 1-3/4 door only | \$566.00 | \$934.00 |
| | L380-20 | 3/4 Offset x 20 min x 1-3/4 door only | N/A | \$547.00 |
|  | 480 | 3/4 Offset | N/A | \$388.00 |
| | F480 | Fire rated 3/4 Offset | \$431.00 | \$799.00 |
| | 480-20 | 3/4 Offset x 20 min | N/A | \$414.00 |
|  | 680 | 3/4 Offset | N/A | \$426.00 |

*Finish required, see page 121

USA & Canada Prices Effective June 3, 2019

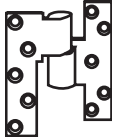
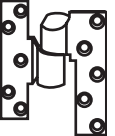

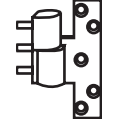
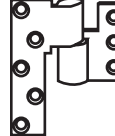
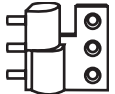
ASSA ABLOY

The global leader in
door opening solutions

Norton and Rixson are brands associated with ASSA ABLOY Access and Egress Hardware Group, Inc., an ASSA ABLOY Group company. Copyright© 2002-2019, ASSA ABLOY Access and Egress Hardware Group, Inc. All rights reserved. Reproduction in whole or in part without the express written permission of ASSA ABLOY Access and Egress Hardware Group, Inc. is prohibited. Contact Norton: 877-974-2255 or visit www.nortondoortcontrols.com; Contact RIXSON: 800-457-5670 or visit www.rixson.com. In Canada contact us at: 800-461-3007 or visit www.assaabloydss.ca



Note that all fire rated openings must have a minimum of one intermediate pivot

Intermediate Pivots

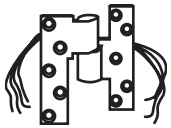
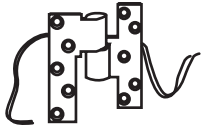
| Model | Description | Painted | Plated | |
|---|------------------|--|----------|------------|
|  | M19 | 3/4 Offset | N/A | \$327.00 |
| | M19 x 1-1/2OS | 1-1/2 Offset | N/A | \$498.00 |
| | FM19 | Fire rated 3/4 Offset | \$360.00 | \$695.00 |
| | FM19 x 1-1/2OS | Fire rated 1-1/2 Offset | \$538.00 | \$1,044.00 |
| | M190 | 3/4 Offset | N/A | \$409.00 |
| | M190 x 1-1/2OS | 1-1/2 Offset | N/A | \$569.00 |
| | FM190 | Fire rated 3/4 Offset | \$449.00 | \$856.00 |
| | FM190 x 1-1/2OS | Fire rated 1-1/2 Offset | \$620.00 | \$1,039.00 |
| | M19-20 | 3/4 Offset x 20 min | N/A | \$334.00 |
| | M19-20 x 1-1/2OS | 1-1/2 Offset x 20 min | N/A | \$523.00 |
| | M190-20 | 3/4 Offset x 20 min | N/A | \$416.00 |
| | ML19 | 3/4 Offset x 1-3/4 door only | N/A | \$480.00 |
| | ML19 | 3/4 Offset x 2, 2-1/4, 2-1/2, or 3 doors | N/A | \$682.00 |
| | FML19 | Fire rated 3/4 Offset x 1-3/4 door only | \$521.00 | \$1,006.00 |
| | ML19-20 | 3/4 Offset x 20 min x 1-3/4 door only | N/A | \$504.00 |
|  | FA19 | 3/4 Offset | \$409.00 | \$775.00 |
| | FA190 | 3/4 Offset | \$511.00 | \$775.00 |
|  | 119 | 3/4 Offset | N/A | \$246.00 |
|  | 219 | 3/4 Offset | N/A | \$381.00 |
| | 219-20 | 3/4 Offset x 20 min | N/A | \$391.00 |
|  | 319 | 3/4 Offset | N/A | \$373.00 |
| | 319-20 | 3/4 Offset x 20 min | N/A | \$416.00 |
| | L319 | 3/4 Offset x 1-3/4 door only | N/A | \$616.00 |
| | L319-20 | 3/4 Offset x 20 min x 1-3/4 door only | N/A | \$639.00 |
|  | 419 | 3/4 Offset | N/A | \$443.00 |
| | 419-20 | 3/4 Offset x 20 min | N/A | \$463.00 |

*Finish required, see page 121

Pocket Pivot

| Model Number | | Description | Painted | Plated |
|---|-------|---|----------|------------|
|  | F519 | Pocket Pivot | \$504.00 | \$615.00 |
|  | EF519 | Electrified Power Transfer Pivot Available in 4 wires only | NA | \$1,140.00 |

Electrified Intermediate Pivots

| Model Number | | Description | Price |
|---|----------------|--|------------|
|  | EFM19 | Fire Rated 3/4" Offset Power Transfer Pivot Specify number of wires (4, 6, 8, 12) | \$1,263.00 |
| | EM19 x 1-1/2OS | 1-1/2" Offset Power Transfer Pivot Specify number of wires (4, 6, 8, 12) | \$844.00 |
| | EFML19 | Fire rated 3/4" Offset Power Transfer Pivot Heavy Weight/High Traffic 1-3/4" Dr. Specify number of wires (4, 6, 8, 12) | \$1,909.00 |
| | EML19 | 3/4" Offset Power Transfer Pivot Heavy Duty/Weight/High Traffic 1-3/4 Dr Specify number of wires (4, 6, 8, 12) | \$1,350.00 |
| | EML19-20 | 3/4" Offset Power Transfer Pivot, Heavy Duty/Weight/High Traffic, 1-3/4" Door, 20 Minute Specify number of wires (4, 6, 8, 12) | \$1,375.00 |
|  | EM19 | 3/4" Offset Power Transfer Pivot Specify number of wires (4, 6, 8, 12) | \$595.00 |
| | EM19U | 3/4" Offset Power Transfer High Inrush Pivot (2 wires only) Electrolynx not available | \$1,148.00 |
| | EFM19 x 1-1/2 | Fire Rated 1-1/2" Offset Power Transfer Pivot | \$1,919.00 |

ElectroLynx add \$34.00.
Specify # of wires (4, 6, 8, 12).

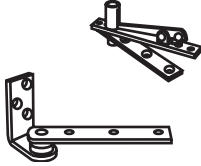
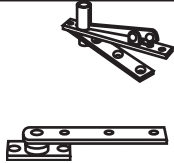


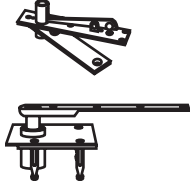
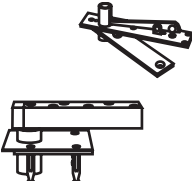
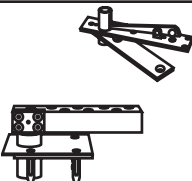
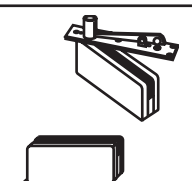
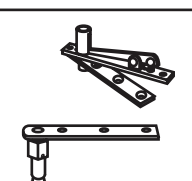
*Finish required, see page 121



ElectroLynx®

As part of their promise to provide innovative, fast and effective, and higher security solutions to their customers, ASSA ABLOY Group companies offer ElectroLynx®, a universal quick-connect system that simplifies the electrification of the door opening. ElectroLynx® is a registered trademark of ASSA ABLOY, Inc.

Center Hung Pivot Sets

| Model | Description | Price |
|--|---|------------|
|  127-3/4 | Center Hung side jamb attached (includes 320 top pivot) | \$317.00 |
|  128-3/4 | Center Hung (includes 320 top pivot) | \$317.00 |
|  370 | Center Hung (includes 340 top pivot) | \$469.00 |
|  375 | Center Hung (includes 345 top pivot) | \$807.00 |
|  117-3/4 | Center Hung (includes 340 top pivot) | \$964.00 |
|  H117-3/4 | Center Hung for doors 2" or greater (includes H340 top pivot) | \$2,352.00 |
|  H117-3/4 587 | Center Hung for doors 1-3/4 (includes H340 top pivot) | \$2,352.00 |
|  178 | Patch fitting pivot (includes 7494 top pivot) | \$687.00 |
|  176 | Center Hung Light Duty Pivot | \$326.00 |

*Finish required, see page 121

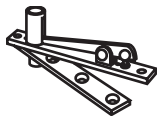
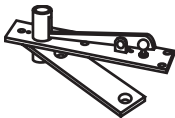
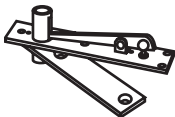
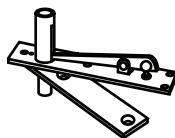
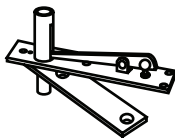

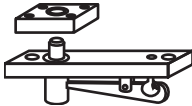
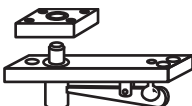
USA & Canada Prices Effective June 3, 2019 – Revised 08/09/19

ASSA ABLOY

The global leader in
door opening solutions

Norton and Rixson are brands associated with ASSA ABLOY Access and Egress Hardware Group, Inc., an ASSA ABLOY Group company. Copyright© 2002-2019, ASSA ABLOY Access and Egress Hardware Group, Inc. All rights reserved. Reproduction in whole or in part without the express written permission of ASSA ABLOY Access and Egress Hardware Group, Inc. is prohibited. Contact Norton: 877-974-2255 or visit www.nortondoорcontrols.com; Contact RIXSON: 800-457-5670 or visit www.rixson.com. In Canada contact us at: 800-461-3007 or visit www.assaabloydss.ca

Center Hung Top Pivots

| Model | Description | Price |
|---|---|----------|
|  320 | Center Hung | \$158.00 |
|  340 | Center Hung | \$148.00 |
|  H340 | Center Hung | \$486.00 |
|  345 | Center Hung long throw pivot pin | \$486.00 |
|  H345 | Center Hung long throw pivot pin | \$813.00 |
|  340 x AP3 | Center Hung gate pivot | \$458.00 |
|  320 x 102 | Center Hung for deep reveal (No finish plate included) | \$293.00 |
|  340 x 102 | Center Hung for deep reveal (No finish plate included) | \$283.00 |

*Finish required, see page 121

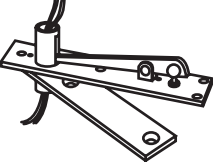
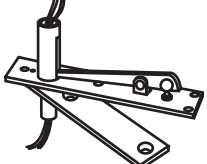
ASSA ABLOY

The global leader in
door opening solutions

USA & Canada Prices Effective June 3, 2019

Norton and Rixson are brands associated with ASSA ABLOY Access and Egress Hardware Group, Inc., an ASSA ABLOY Group company. Copyright© 2002-2019, ASSA ABLOY Access and Egress Hardware Group, Inc. All rights reserved. Reproduction in whole or in part without the express written permission of ASSA ABLOY Access and Egress Hardware Group, Inc. is prohibited. Contact Norton: 877-974-2255 or visit www.nortondoорcontrols.com; Contact RIXSON: 800-457-5670 or visit www.rixson.com. In Canada contact us at: 800-461-3007 or visit www.assaabloydss.ca

Electrified Center Hung Top Pivots

| Model | | Description | Price |
|---|-------|---|------------|
|  | EH340 | Center Hung Heavy Duty for Power Transfer Top Pivot | \$652.00 |
|  | EH345 | Center Hung Longer Throw Pin Heavy Duty for Taller Doors for Power Transfer | \$1,112.00 |

*Finish required, see page 121

Specify # of wires (4,6,8,12)
ElectroLynx add \$34.00.



ElectroLynx®





As part of their promise to provide innovative, fast and effective, and higher security solutions to their customers, ASSA ABLOY Group companies offer ElectroLynx®, a universal quick-connect system that simplifies the electrification of the door opening.

ElectroLynx® is a registered trademark of ASSA ABLOY, Inc.

Quick Reference Options

| Suffix | Description | Price |
|-------------------------|---|--|
| Ext Spdl | To accommodate special floor conditions, the spindle can be ordered in 1/2" increments up to and including 2". Pivots must be ordered with longer spindle. Extended spindles for 117-1/4, 117, 147, 547, 195, 127-3/4, 128-3/4, 370 | \$59.00 |
| | Extended spindles for 117-1/2, L117, 117-3/4, H117-3/4 and H117-3/4 x 587 | \$109.00 |
| Longer Pivot Pin | For top pivots with special ceiling condition, longer pins are available in 1/4 inch increments up to 3/4 longer. Not available for electrified pivots | Add \$44.00 |
| Torx | Security Screws Not available for center hung models | Pivot Set Add \$214.00 Intermediate Pivots Add \$140.00 |
| SPLO | Special layout that may require special templating and/or products | Excluded from buying programs - contact factory for pricing |

Accessories

| Model | Description | Price |
|--|-------------------------------|------------|
|  10600 | Single Roller Caster | \$740.00 |
|  10602 | Double Roller Caster | \$1,112.00 |
|  10600-025 for 10600 10600-028 for 10602 | Hollow Metal Reinforced Plate | \$225.00 |
| 10600-019 | End Cap | \$29.00 |
|  2604 2608 for 180, H340 and H345 | Pivot Alignment Tool | \$109.00 |

How To Order

| F Prefix | L147 Model | x 2-1/4" Door Suffix | x RH Hand | x 626 Finish |
|--------------------|------------|------------------------------------|---------------------|--|
| F Fire Rated Doors | 117-1/4 | 1-1/2OS 1-1/2" Offset | Blank (Center Hung) | 605 Bright Brass |
| | 117 | 2" | | 606 Satin Brass |
| | 173 | 2-1/4" Door Thickness | RH Right | 611 Bright Bronze |
| | 147 | 2-1/2" L Series Product Only | LH Left | 612 Satin Bronze |
| | L147 | 3" | | 613 Dark Bronze |
| | 547 | 587 } H Arm (H117-3/4) | | 613E Dark Oxidized Satin Bronze - Equivalent |
| | 165 | | | 618 Bright Nickel |
| | 195 | Ext Spdl } Extended Spindle | | 619 Satin Nickel |
| | 117-1-1/2 | -20 } 20 Minute label | | 622 Flat Black |
| | L117 | LTP } Less Top Pivot | | 625 Bright Chrome |
| | 127-3/4 | # of Wires for Electrified Product | | 626 Satin Chrome |
| | 128-3/4 | TORX Security Screws (Offset Only) | | 689 Sprayed Aluminum |
| | 370 | SPLO# Special Layout | | 690 Sprayed Dark Bronze |
| | 375 | | | 691 Sprayed Light Bronze |
| | 117-3/4 | | | 696 Sprayed Brass |
| | H117-3/4 | | | BSP Black Suede |
| 178 | | | WSP White Suede | |
| 176 | | | | |

USA & Canada Prices Effective June 3, 2019 – Revised 08/09/19

ASSA ABLOY

The global leader in door opening solutions

Norton and Rixson are brands associated with ASSA ABLOY Access and Egress Hardware Group, Inc., an ASSA ABLOY Group company. Copyright© 2002-2019, ASSA ABLOY Access and Egress Hardware Group, Inc. All rights reserved. Reproduction in whole or in part without the express written permission of ASSA ABLOY Access and Egress Hardware Group, Inc. is prohibited. Contact Norton: 877-974-2255 or visit www.nortondoorcontrols.com; Contact RIXSON: 800-457-5670 or visit www.rixson.com. In Canada contact us at: 800-461-3007 or visit www.assaabloydss.ca

RIXSON

ASSA ABLOY


The global leader in
door opening solutions

USA & Canada Prices Effective June 3, 2019


Norton and Rixson are brands associated with ASSA ABLOY Access and Egress Hardware Group, Inc., an ASSA ABLOY Group company.
Copyright© 2002-2019, ASSA ABLOY Access and Egress Hardware Group, Inc. All rights reserved. Reproduction in whole or in part
without the express written permission of ASSA ABLOY Access and Egress Hardware Group, Inc. is prohibited.
Contact Norton: 877-974-2255 or visit www.nortondoorcontrols.com; Contact RIXSON: 800-457-5670 or visit www.rixson.com.
In Canada contact us at: 800-461-3007 or visit www.assaabloydss.ca

Options, see page 127


#1 Series Concealed Heavy Duty

| Model | | | | Door Opening (inches) | | Finishes | | |
|---|----------|-----------|-------|-----------------------|--------------------|---|--------------------|------------------------------|
|  | Friction | Hold Open | Stop | **Butts Offset Pivots | Center Hung Pivots | 689, 690, 691, 696, 613E, 652, BSP, WSP | 606, 612, 613, 630 | 605, 611, 618, 619, 622, 629 |
| | 1-116 | 1-126 | 1-136 | *24-28 | NA | \$333.00 | \$366.00 | \$549.00 |
| | 1-216 | 1-226 | 1-236 | 28 1/16-33 | 30-36 | | | |
| | 1-316 | 1-326 | 1-336 | 33 1/16-38 | 36 1/16-41 | | | |
| | 1-416 | 1-426 | 1-436 | 38 1/16-43 | 41 1/16-46 | | | |
| | 1-516 | 1-526 | 1-536 | 43 1/16-48 | 46 1/16-50 | | | |


#1ADJ Series Concealed Adjustable Heavy Duty

| Model | | | Door Opening (inches) | | Finishes | | |
|---|-----------|----------|-----------------------|--------------------|---|--------------------|------------------------------|
|  | Hold Open | Stop | **Butts Offset Pivots | Center Hung Pivots | 689, 690, 691, 696, 613E, 652, BSP, WSP | 606, 612, 613, 630 | 605, 611, 618, 619, 622, 629 |
| | 1ADJ-126 | 1ADJ-136 | *24-28 | NA | \$350.00 | \$383.00 | \$577.00 |
| | 1ADJ-226 | 1ADJ-236 | 28 1/16-33 | 30-36 | | | |
| | 1ADJ-326 | 1ADJ-336 | 33 1/16-38 | 36 1/16-41 | | | |
| | 1ADJ-426 | 1ADJ-436 | 38 1/16-43 | 41 1/16-46 | | | |
| | 1ADJ-526 | 1ADJ-536 | 43 1/16-48 | 46 1/16-50 | | | |

#2 Series Concealed Adjustable Standard Duty

| Model | | | | | Door Opening (inches) | | Finishes | | |
|---|----------|-----------|-------|----------------|-----------------------|--------------------|---|--------------------|------------------------------|
|  | Friction | Hold Open | Stop | Multi-Function | **Butts Offset Pivots | Center Hung Pivots | 689, 690, 691, 696, 613E, 652**, BSP, WSP | 606, 612, 613, 630 | 605, 611, 618, 619, 622, 629 |
| | 2-116 | 2-126 | 2-136 | 2-146 | *18-24 | NA | \$150.00 | \$178.00 | \$230.00 |
| | 2-216 | 2-226 | 2-236 | 2-246 | 24 1/16-30 | 27-32 | | | |
| | 2-316 | 2-326 | 2-336 | 2-346 | 30 1/16-36 | 32 1/16-38-1/2 | | | |
| | 2-416 | 2-426 | 2-436 | 2-446 | 36 1/16-42 | 38 9/16-45 | | | |
| | 2-516 | 2-526 | 2-536 | 2-546 | 42 1/16-48 | 45 1/16-48 | | | |

#5 Series Concealed Standard Duty

| Model | | | Door Opening (inches) | | Finishes | | |
|---|-----------|-------|-----------------------|----------------|---|--|--|
|  | Hold Open | Stop | **Butts Offset Pivots | Center Hung | 613E, 689, 690, 691, 696, 652, BSP, WSP | | |
| | 5-126 | 5-136 | *18-24 | NA | \$139.00 | | |
| | 5-226 | 5-236 | 24 1/16-30 | 27-32 | | | |
| | 5-326 | 5-336 | 30 1/16-36 | 32 1/16-38 1/2 | | | |
| | 5-426 | 5-436 | 36 1/16-42 | 38 9/16-45 | | | |
| | 5-526 | 5-536 | 42 1/16-48 | 45 1/16-48 | | | |

* Butt hung only

** 652 Not available in multi-function models

**Pricing for Offset 1-3/4 thick doors hung on standard 4-1/2 x 4-1/2 butts or 3/4 offset pivots. For all other hanging means or door thicknesses, consult factory. Prices will be affected and will not carry any buy program or quote discounting.

USA & Canada Prices Effective June 3, 2019


ASSA ABLOY

The global leader in door opening solutions


Norton and Rixson are brands associated with ASSA ABLOY Access and Egress Hardware Group, Inc., an ASSA ABLOY Group company. Copyright© 2002-2019, ASSA ABLOY Access and Egress Hardware Group, Inc. All rights reserved. Reproduction in whole or in part without the express written permission of ASSA ABLOY Access and Egress Hardware Group, Inc. is prohibited. Contact Norton: 877-974-2255 or visit www.nortondoорcontrols.com; Contact RIXSON: 800-457-5670 or visit www.rixson.com. In Canada contact us at: 800-461-3007 or visit www.assaabloydss.ca

Options, see page 127

#6 Series Concealed Low Profile

| Model | | Door Opening (inches) | | Finishes | | |
|---|-------|-----------------------|--------------------|------------------------------------|--------------------|------------------------------|
|  | Stop | **Butts Offset Pivots | Center Hung Pivots | 689, 690, 691, 696, 613E, BSP, WSP | 606, 612, 613, 630 | 605, 611, 618, 619, 622, 629 |
| | 6-136 | *24-28 | NA | \$456.00 | \$492.00 | \$570.00 |
| | 6-236 | 28 1/16-33 | 30-36 | | | |
| | 6-336 | 33 1/16-38 | 36 1/16-41 | | | |
| | 6-436 | 38 1/16-43 | 41 1/16-46 | | | |
| | 6-536 | 43 1/16-48 | 46 1/16-50 | | | |

#6ADJ Series Concealed Adjustable Low Profile

| Model | | Door Opening (inches) | | Finishes | | |
|---|----------|-----------------------|--------------------|------------------------------------|--------------------|-------------------------|
|  | Stop | **Butts Offset Pivots | Center Hung Pivots | 689, 690, 691, 696, 613E, BSP, WSP | 606, 612, 613, 630 | 605, 611, 619, 622, 629 |
| | 6ADJ-136 | *24-28 | NA | \$479.00 | \$513.00 | \$596.00 |
| | 6ADJ-236 | 28 1/16-33 | 30-36 | | | |
| | 6ADJ-336 | 33 1/16-38 | 36 1/16-41 | | | |
| | 6ADJ-436 | 38 1/16-43 | 41 1/16-46 | | | |
| | 6ADJ-536 | 43 1/16-48 | 46 1/16-50 | | | |

* Butt hung only

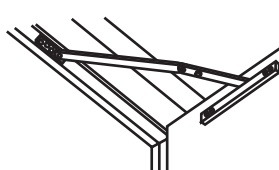
** Pricing for Offset 1-3/4 thick doors hung on standard 4-1/2 x 4-1/2 butts or 3/4 offset pivots. For all other hanging means or door thicknesses, consult factory. Prices will be affected and will not carry any buy program or quote discounting.

Options, see page 127

#7 Series Surface Heavy Duty

|  | Model | | | Door Opening (inches) | Finishes |
|---|----------|-----------|------------|--------------------------|------------------------------------|
| | Friction | Hold Open | Stop | **Butts or Offset Pivots | 613E, 689, 690, 691, 696, BSP, WSP |
| | NA | 7-126 | NA | 24-30 | \$337.00 |
| | NA | 7-226 | NA | 30 1/16-34 | |
| | NA | 7-326 | NA | 34 1/16-39 | |
| NA | 7-426 | NA | 39 1/16-48 | | |

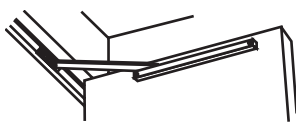
#8 HD Series Surface Extra Heavy Duty

|  | Model | | Door Opening (inches) | | Finishes | | |
|--|-------------|-----------------------|-----------------------|------------------------------------|--------------------|---------------|--|
| | Hold Open | **Butts Offset Pivots | Center Hung Pivots | 689, 690, 691, 696, 613E, BSP, WSP | 606, 612, 613, 630 | 605, 622, 629 | |
| | 8-226 | 27 1/16-32 1/2 | 29 9/16-35 | \$464.00 | \$501.00 | \$584.00 | |
| | 8-326 | 33 9/16-38 3/4 | 35-1/16-41-1/2 | | | | |
| | 8-426 | 38 13/16-42 1/2 | 41 9/16-45 | | | | |
| | 8-526 | 42 9/16-48 | 45 1/16-48 | | | | |
| | Stop | | | | | | |
| | 8-236 | 27 1/16-32 1/2 | 29 9/16-35 | \$415.00 | \$441.00 | \$522.00 | |
| | 8-336 | 33 9/16-38 3/4 | 35 1/16-41 1/2 | | | | |
| | 8-436 | 38 13/16-42 1/2 | 41 9/16-45 | | | | |
| 8-536 | 42 9/16-48 | 45 1/16-48 | | | | | |

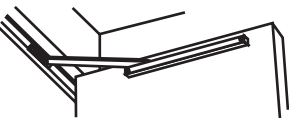
**Pricing for Offset 1-3/4 thick doors hung on standard 4-1/2 x 4-1/2 butts or 3/4 offset pivots. For all other hanging means or door thicknesses, consult factory. Prices will be affected and will not carry any buy program or quote discounting.

Options, see page 127

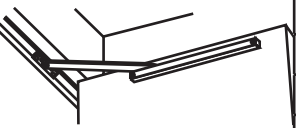
#9 Series Surface Heavy Duty

| Model | | | | Door Opening (inches) | | Finishes | | |
|---|----------|-----------|-------|-----------------------|--------------------|--|--------------------|------------------------------|
|  | Friction | Hold Open | Stop | **Butts Offset Pivots | Center Hung Pivots | 89, 690, 691, 696, 613E, 652, BSP, WSP | 606, 612, 613, 630 | 605, 611, 618, 619, 622, 629 |
| | 9-116 | 9-126 | 9-136 | *24-28 | NA | \$441.00 | \$475.00 | \$553.00 |
| | 9-216 | 9-226 | 9-236 | 28 1/16-33 | 30-36 | | | |
| | 9-316 | 9-326 | 9-336 | 33 1/16-38 | 36 1/16-41 | | | |
| | 9-416 | 9-426 | 9-436 | 38 1/16-43 | 41 1/16-46 | | | |
| | 9-516 | 9-526 | 9-536 | 43 1/16-48 | 46 1/16-50 | | | |

#9ADJ Series Surface Adjustable Heavy Duty

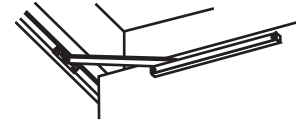
| Model | | | Door Opening (inches) | | Finishes | | |
|--|-----------|----------|-----------------------|--------------------|---|--------------------|------------------------------|
|  | Hold Open | Stop | **Butts Offset Pivots | Center Hung Pivots | 689, 690, 691, 696, 613E, 652, BSP, WSP | 606, 612, 613, 630 | 605, 611, 618, 619, 622, 629 |
| | 9ADJ-126 | 9ADJ-136 | *24-28 | NA | \$461.00 | \$495.00 | \$582.00 |
| | 9ADJ-226 | 9ADJ-236 | 28 1/16-33 | 30-36 | | | |
| | 9ADJ-326 | 9ADJ-336 | 33 1/16-38 | 36 1/16-41 | | | |
| | 9ADJ-426 | 9ADJ-436 | 38 1/16-43 | 41 1/16-46 | | | |
| | 9ADJ-526 | 9ADJ-536 | 43 1/16-48 | 46 1/16-50 | | | |

#10 Series Surface Adjustable Standard Duty

| Model | | | | | Door Opening (inches) | | Finishes | | |
|---|----------|-----------|--------|----------------|-----------------------|--------------------|--|--------------------|------------------------------|
|  | Friction | Hold Open | Stop | Multi-Function | **Butts Offset Pivots | Center Hung Pivots | 689, 690, 691, 696, 652^, 613E, BSP, WSP | 606, 612, 613, 630 | 605, 611, 618, 619, 622, 629 |
| | 10-116 | 10-126 | 10-136 | 10-146 | *18-24 | 21-26 1/2 | \$178.00 | \$225.00 | \$273.00 |
| | 10-216 | 10-226 | 10-236 | 10-246 | 24 1/16-30 | 26 9/16-32 | | | |
| | 10-316 | 10-326 | 10-336 | 10-346 | 30 1/16-36 | 32 1/16-38 1/2 | | | |
| | 10-416 | 10-426 | 10-436 | 10-446 | 36 1/16-42 | 38 9/16-45 | | | |
| | 10-516 | 10-526 | 10-536 | 10-546 | 42 1/16-48 | 45 1/16-48 | | | |

^652 Not available on multi-function holders

#55 Series Surface Standard Duty

| Model | | | Door Opening (inches) | | Finishes | | |
|---|-----------|--------|-----------------------|----------------|---|--|--|
|  | Hold Open | Stop | **Butts Offset Pivots | Center Hung | 613E, 689, 690, 691, 696, 652, BSP, WSP | | |
| | 55-126 | 55-136 | *18-24 | NA | \$139.00 | | |
| | 55-226 | 55-236 | 24 1/16-30 | 27-32 | | | |
| | 55-326 | 55-336 | 30 1/16-36 | 32 1/16-38 1/2 | | | |
| | 55-426 | 55-436 | 36 1/16-42 | 38 9/16-45 | | | |
| | 55-526 | 55-536 | 42 1/16-48 | 45 1/16-48 | | | |

* Butt hung only

** Pricing for Offset 1-3/4 thick doors hung on standard 4-1/2 x 4-1/2 butts or 3/4 offset pivots. For all other hanging means or door thicknesses, consult factory. Prices will be affected and will not carry any buy program or quote discounting.

USA & Canada Prices Effective June 3, 2019




ASSA ABLOY

The global leader in door opening solutions

Norton and Rixson are brands associated with ASSA ABLOY Access and Egress Hardware Group, Inc., an ASSA ABLOY Group company. Copyright© 2002-2019, ASSA ABLOY Access and Egress Hardware Group, Inc. All rights reserved. Reproduction in whole or in part without the express written permission of ASSA ABLOY Access and Egress Hardware Group, Inc. is prohibited. Contact Norton: 877-974-2255 or visit www.nortondoorsolutions.com; Contact RIXSON: 800-457-5670 or visit www.rixson.com. In Canada contact us at: 800-461-3007 or visit www.assaabloydss.ca

Rixson Checkmate Stops and Holders

Quick Reference (Options & Accessories)

| | Suffix | Description | Price |
|---|--------|--|---|
| | LS | Less Spring Models 1 and 9 only | Add \$28.00 |
| | TORX | Security Screws. All Models. Only provided for screws visible. | Add \$107.00 |
|  | 5458* | LH Flush Mounting Brackets Models 8 & 9 | \$69.00 |
|  | 5459* | RH Flush Mounting Brackets Models 8 & 9 | \$69.00 |
|  | 5258* | Flush Mounting Brackets Models 10 & 55 | \$69.00 |
| | SPLO | Special layout that may require special templating and/or products | Excluded from buying programs - contact factory for pricing |

*Specify finish when ordering.

How To Order

| 1 Series | 3 Door Size Symbol | 2 Function | 6 Filler | x LS Options | x 630 Finish |
|--|------------------------|------------------|----------|----------------------|--|
| #1 Hvy Dty Concealed | 1 | 1 Friction | | LS Less Spring | 605 Bright Brass |
| #1ADJ Hvy Dty Concealed Adj | 2 | 2 Holder | | Torx Security Screws | 606 Satin Brass |
| #2 Std Dty Concealed Adj | 3 | 3 Stop | | ARM Arm Only | 611 Bright Bronze |
| #5 Std Dty Concealed | 4 | 4 Multi function | | SPLO# Special Layout | 612 Satin Bronze |
| #6 Low Profile Concealed | 5 | | | | 613 Dark Bronze |
| #6ADJ Low Profile Concealed Adjustable | See Catalog for Sizing | | | | 613E Dark Oxidized Satin Bronze - Equivalent |
| #7 Surf Cantilever Holder | | | | | 618 Bright Nickel |
| #8HD Extra Hvy Dty Dbl Lever | | | | | 619 Satin Nickel |
| #9 Hvy Dty Surface | | | | | 622 Flat Black |
| #9ADJ Hvy Dty Surface Adj | | | | | 625 Bright Chrome |
| #10 Std Dty Surface Adj | | | | | 626 Satin Chrome |
| #55 Std Dty Surface | | | | | 629 Bright Stainless |
| | | | | | 630 Satin Stainless |
| | | | | | 652 Satin Chrome on Steel |
| | | | | | 689 Sprayed Aluminum |
| | | | | | 690 Sprayed Dark Bronze |
| | | | | | 691 Sprayed Light Bronze |
| | | | | | 696 Sprayed Brass |
| | | | | | BSP Black Suede |
| | | | | | WSP White Suede |

RIXSON

ASSA ABLOY

The global leader in
door opening solutions

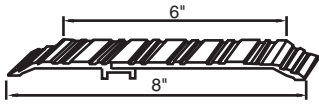
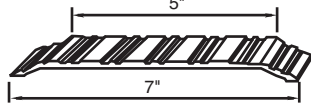
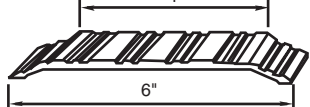
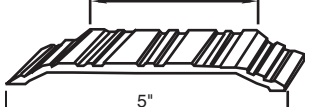
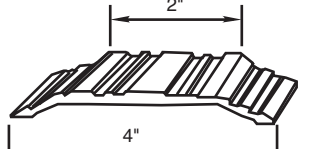
USA & Canada Prices Effective June 3, 2019

Norton and Rixson are brands associated with ASSA ABLOY Access and Egress Hardware Group, Inc., an ASSA ABLOY Group company.
Copyright© 2002-2019, ASSA ABLOY Access and Egress Hardware Group, Inc. All rights reserved. Reproduction in whole or in part
without the express written permission of ASSA ABLOY Access and Egress Hardware Group, Inc. is prohibited.
Contact Norton: 877-974-2255 or visit www.nortondoорcontrols.com; Contact RIXSON: 800-457-5670 or visit www.rixson.com.
In Canada contact us at: 800-461-3007 or visit www.assaabloydss.ca

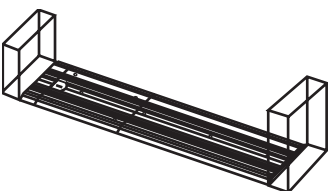
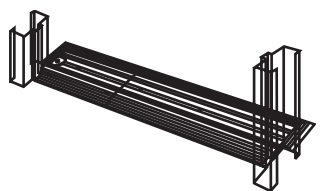

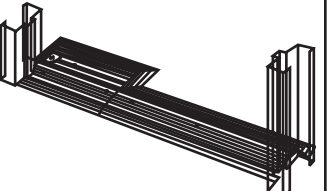
Note that threshold prices include preparations for Rixson floor closers and pivots.
Add \$100 to threshold prepped for any other manufacturers product

Sizes

| Materials | Sizes Available | Single Doors to 36" | Pair of Doors to 72" | Add Per Inch |
|-------------------------|-------------------------|---------------------|----------------------|--------------|
| Mill Aluminum | 400, 500, 600, 700, 800 | \$702.00 | \$1,404.00 | \$19.80 |
| Polished Aluminum | 400, 500, 600, 700, 800 | \$883.00 | \$1,766.00 | \$25.10 |
| Mill Bronze | 400, 500, 600, 700, 800 | \$1,923.00 | \$3,846.00 | \$55.00 |
| 605, 606, 613 on Bronze | 400, 500, 600, 700, 800 | \$2,643.00 | \$5,286.00 | \$70.00 |

| | | | |
|--|---|--|---|
|  |  |  |  |
| 800 Profile | 700 Profile | 600 Profile | 500 Profile |
|  | | | |
| 400 Profile | | | |

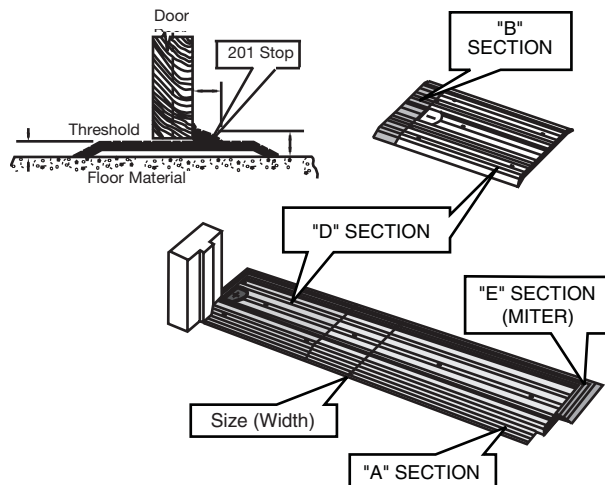
Types

| | | | |
|---|---|--|---|
|  |  |  |  |
| Type 1 | Type 3 | Type 4 | Type 5 |

Note: Threshold prices include preparations for Rixson floor closers and pivots
Add \$100 to threshold prepped for any other manufacturers product

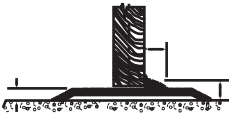

Components

| Descriptions | Sizes Available | Price |
|-----------------------------------|-------------------------|------------------|
| A Section Mill Aluminum | 400, 500, 600, 700, 800 | \$19.80 per inch |
| A Section Polished Aluminum | 400, 500, 600, 700, 800 | \$25.10 per inch |
| A Section Mill Bronze | 400, 500, 600, 700, 800 | \$55.20 per inch |
| B Section Mill Aluminum | 600, 700, 800 | \$73.00 |
| B Section Polished Aluminum | 600, 700, 800 | \$90.00 |
| B Section Mill Bronze | 400, 500, 600, 700, 800 | \$198.00 |
| B Section 605, 606, 613 on Bronze | 700, 800 | \$182.00 |
| D Section Mill Aluminum | 700, 800 | \$270.00 |
| D Section Polished Aluminum | 700, 800 | \$358.00 |
| D Section Mill Bronze | 700, 800 | \$628.00 |
| D Section 605, 606, 613 on Bronze | 400, 500, 600, 700, 800 | \$800.00 |
| E Section Mill Aluminum | | \$160.00 |
| E Section Polished Aluminum | | \$185.00 |
| E Section Mill Bronze | | \$212.00 |
| E Section 605, 606, 613 on Bronze | | \$258.00 |



Note Threshold prices include preparations for Rixson floor closers and pivots.
Add \$100 to threshold prepped for any other manufacturers product

Quick Reference Options

| | Prefix | Description | Add | |
|---|----------------------|---|--|---------|
| | PH | 1/4" high - for ADA compliance 700 & 800 only | \$0.00 | |
| | Suffix | Description | | |
| | Abrs Ctg | Abrasive Coating | 50% | |
| | Ext Miters | Miters in addition to those normally supplied - give quantity and location | Consult Factory | |
| | MSES | Metal Screws and Expansion Shields | Single Opening | \$7.40 |
| | | | Double Opening | \$14.80 |
|  | 201 | Aluminum . ADD \$3.30 per inch to list of threshold Bronze. ADD \$20.02 per inch to list of threshold 605 ADD \$24.09 per inch to list of threshold 613 ADD \$28.05 per inch to list of threshold 606 ADD \$23.10 per inch to list of threshold | | |
|  | 301 | Step Down; not available for type 5 | Add \$10.00 to standard door width thresholds \$2.00 per extra inch | |
| | 501 | Step Down; not available for type 5 | Add \$10.00 to standard door width thresholds \$2.00 per extra inch | |
| | Straight Ends | Specify length needed if more than 2" | Consult Factory | |
| | SPLO | Special layout that may require special templating and/or products | Excluded from buying programs - contact factory for pricing | |

How To Order

| PH X | 3 | X 700 X | 201 | X 36 | X 1-3/4 | RH | 27N | AL |
|---------------------------------------|--|--|--|------------------------|-------------------------------|-----------------------------------|-----------------------|---|
| Prefix | Type | Size (width) | Options | Opening (Jamb to Jamb) | Door Thickness | Hand | Closer or Pivot Model | Material |
| Blank 1/2" High PH 1/4" High | 1 Center Hung 3 Offset Hung 4 Center Hung 5 Offset Hung | 400 3-3/4" (used with Type 5 or doors without floor closers) 500 4-3/4" (used with Type 5 or doors without floor closers) 600 5-3/4" (can't be used with Type 5 or floor closers) 700 6-3/4" (cannot be used with Type 5) or 800 7-3/4" (cannot be used with Type 5) | Abrasive Coating Extra Miters (specify qty & location) MSES Machine screws and lead shield 201 Applied stop 301 Step Down (specify location) 501 Step Down (specify location) Straight Ends (specify qty & location) | } | Cannot be ordered with 5 type | Blank Pair RH Right LH Left | | AL Mill Aluminum BZ Mill Bronze 605 Polished Brass 606 Satin Brass 613 Bronze |

USA & Canada Prices Effective June 3, 2019

ASSA ABLOY

The global leader in door opening solutions

Norton and Rixson are brands associated with ASSA ABLOY Access and Egress Hardware Group, Inc., an ASSA ABLOY Group company. Copyright© 2002-2019, ASSA ABLOY Access and Egress Hardware Group, Inc. All rights reserved. Reproduction in whole or in part without the express written permission of ASSA ABLOY Access and Egress Hardware Group, Inc. is prohibited. Contact Norton: 877-974-2255 or visit www.nortondoortcontrols.com; Contact RIXSON: 800-457-5670 or visit www.rixson.com. In Canada contact us at: 800-461-3007 or visit www.assaabloydss.ca

Rixson
Thresholds

RIXSON

ASSA ABLOY




The global leader in
door opening solutions

USA & Canada Prices Effective June 3, 2019

Norton and Rixson are brands associated with ASSA ABLOY Access and Egress Hardware Group, Inc., an ASSA ABLOY Group company.
Copyright© 2002-2019, ASSA ABLOY Access and Egress Hardware Group, Inc. All rights reserved. Reproduction in whole or in part
without the express written permission of ASSA ABLOY Access and Egress Hardware Group, Inc. is prohibited.
Contact Norton: 877-974-2255 or visit www.nortondoорcontrols.com; Contact RIXSON: 800-457-5670 or visit www.rixson.com.
In Canada contact us at: 800-461-3007 or visit www.assaabloydss.ca

Options, see page 134

Electromagnet Door Holder/Releases

| Model | Description | Price |
|--|--|------------|
|  980M | Floor Mounted | \$819.00 |
|  981M | Floor Mounted Back to Back Doors | \$1,080.00 |
|  989 | Low Projection Wall | \$427.00 |
|  990M | Low Projection Wall | \$462.00 |
|  991M | Hazardous Location Wall | \$780.00 |
|  993M | High Hold Wall (with switch)* | \$898.00 |
|  9930M | High Hold Floor Mounted (with switch)* | \$898.00 |
|  994M | Wall Mounted Adjustable Armature | \$462.00 |
|  996M | Surface Mounted | \$489.00 |
|  997M | Wall Mounted | \$462.00 |
|  998M | Wall Mounted | \$462.00 |
|  999M | Universal Wall Mounted | \$618.00 |
|  972H | Swinging Door | \$907.00 |
|  972S | Sliding Door | \$907.00 |
|  972U | Overhead Door | \$907.00 |

* With no switch option, deduct \$59.00

For higher hold magnets specify single voltage Add \$50.00



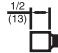
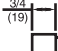
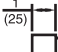
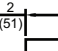
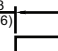
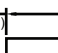
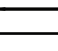
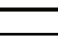
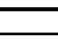
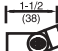
ASSA ABLOY

The global leader in door opening solutions

USA & Canada Prices Effective June 3, 2019

Norton and Rixson are brands associated with ASSA ABLOY Access and Egress Hardware Group, Inc., an ASSA ABLOY Group company. Copyright© 2002-2019, ASSA ABLOY Access and Egress Hardware Group, Inc. All rights reserved. Reproduction in whole or in part without the express written permission of ASSA ABLOY Access and Egress Hardware Group, Inc. is prohibited. Contact Norton: 877-974-2255 or visit www.nortondoortcontrols.com; Contact RIXSON: 800-457-5670 or visit www.rixson.com. In Canada contact us at: 800-461-3007 or visit www.assaabloydss.ca

Options

| Model | Description | Price |
|---|--|----------|
|  996XK | 1-1/2" Wall Extension/conversion kit | \$113.00 |
|  900 | Armature Extension Base 1-1/2" | \$92.00 |
|  900-50 | 1/2" Spacer MUST BE USED WITH 900 BASE | \$49.00 |
|  900-75 | 3/4" Spacer MUST BE USED WITH 900 BASE | \$49.00 |
|  900-100 | 1" Spacer MUST BE USED WITH 900 BASE | \$49.00 |
|  900-200 | 2" Spacer MUST BE USED WITH 900 BASE | \$61.00 |
|  900-300 | 3" Spacer MUST BE USED WITH 900 BASE | \$61.00 |
|  900-400 | 4" Spacer MUST BE USED WITH 900 BASE | \$61.00 |
|  900-500 | 5" Spacer MUST BE USED WITH 900 BASE | \$61.00 |
|  900-600 | 6" Spacer MUST BE USED WITH 900 BASE | \$61.00 |
|  900-700 | 7" Spacer MUST BE USED WITH 900 BASE | \$61.00 |
|  900-Z | 90° Bend Spacer MUST BE USED WITH 900 BASE | \$92.00 |

How To Order

| 998M Series | x | x 689 Finish |
|---------------------------------------|---|--------------------------|
| 980M Floor Mounted | Blank Tri-volt | 689 Sprayed Aluminum |
| 981M Floor Mounted Back to Back Doors | For single voltage higher holding force products specify: 24VAC 24V/DC 12VDC 12VAC 120VAC specify 12VDC, 24VDC or 120VDC for 972H, 972S, or 972U | 690 Sprayed Dark Bronze |
| 989 Low Projection Wall Mounted | | 691 Sprayed Light Bronze |
| 990M Low Projection Wall Mounted | | 693 Sprayed Black |
| 991M Hazardous Location Mounted | | 696 Sprayed Brass |
| 993M High Hold Wall Mounted | | BSP Black Suede |
| 9930M High Hold Floor Mounted | | WSP White Suede |
| 994M Wall Mounted Adjustable Armature | | |
| 996M Surface Mounted | | |
| 997M Wall Mounted | | |
| 998M Wall Mounted | | |
| 999M Universal Wall Mounted | | |
| 972H Swinging Door | | |
| 972S Sliding Door | | |
| 972U Overhead/Rolling Door | | |

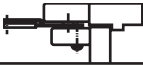



USA & Canada Prices Effective June 3, 2019

ASSA ABLOY

The global leader in door opening solutions

Norton and Rixson are brands associated with ASSA ABLOY Access and Egress Hardware Group, Inc., an ASSA ABLOY Group company. Copyright© 2002-2019, ASSA ABLOY Access and Egress Hardware Group, Inc. All rights reserved. Reproduction in whole or in part without the express written permission of ASSA ABLOY Access and Egress Hardware Group, Inc. is prohibited. Contact Norton: 877-974-2255 or visit www.nortondoortools.com; Contact RIXSON: 800-457-5670 or visit www.rixson.com. In Canada contact us at: 800-461-3007 or visit www.assaabloydss.ca

Smok Chek® V

| Model | Description | Price |
|--|--|----------|
|  0600 | Non-Detected Pull Side Mounting | \$995.00 |
|  0601 | Non-Detected Push Side Mounting | \$995.00 |
| 0602 | Non-Detected Holder on Pull Side Closer on Push Side | \$995.00 |
|  0100 | Non-Detected Pull Side Mounting Holder Only | \$893.00 |
|  0101 | Non-Detected Push Side Mounting Holder Only | \$893.00 |





Quick Reference Options

| Suffix | Description | Price |
|--------|-----------------------------------|-----------------|
| LC | Less Closer | Deduct \$306.00 |
| TORX | Torx Screws | Add \$102.00 |
| 550789 | 550789 Deep Reveal/180° Swing Arm | \$335.00 |

How To Order

| 0601 Series | x 120VAC Voltage | x 550789 Options | x 689 Finish |
|--|------------------|---------------------|--------------------------|
| 0600 Non-Detected Pull Side Mounting | 120VAC | LC Less Closer Body | 689 Sprayed Aluminum |
| 0601 Non-Detected Push Side Mounting | 24VAC/DC | Torx Security Screw | 690 Sprayed Dark Bronze |
| 0602 Non-Detected Holder on Pull Side/ Closer on Push Side | | 550789 Arm | 691 Sprayed Light Bronze |
| 0100 Non-Detected Pull Side Mounting Holder Only | | | 693 Sprayed Black |
| 0101 Non-Detected Push Side Mounting Holder Only | | | 696 Sprayed Brass |
| | | | BSP Black Suede |
| | | | WSP White Suede |

Smok Chek® VI

| Model | Description | Price |
|--|---------------------------------|------------|
|  4 PULL | Non-Detected Pull Side Mounting | \$1,520.00 |
|  6 PULL | Detected Pull Side Mounting | \$3,020.00 |
|  4 PUSH | Non-Detected Push Side Mounting | \$1,520.00 |
|  6 PUSH | Detected Push Side Mounting | \$3,020.00 |

Quick Reference Options





| Prefix | Price |
|--------|---|
| FS | Free Swing Arm (Pull Side Only) Add \$49.00 |
| DE | Double Egress Arm (Pull Side Only) Add \$78.00 |
| Suffix | |
| Torx | Security Screws Add \$64.00 |

How To Order

| FS Prefix | 4 PULL Series | x 24VDC Voltage | x Torx Options | x RH Hand | x 689 Finish |
|----------------------|---|-----------------|----------------|---------------------|--|
| FS Free Swing Arm | 4 PULL Non-Detected Pull Side Mounting Selective Hold Open | 24VDC 120VAC | Torx | RH Right LH Left | 689 Sprayed Aluminum 690 Sprayed Dark Bronze 691 Sprayed Light Bronze 696 Sprayed Brass BSP Black Suede WSP White Suede |
| | 6 PULL Detected Pull Side Mounting Selective Hold Open | | | | |
| DE Double Egress Arm | 4 PUSH Non-Detected Push Side Mounting Selective Hold Open | | | | |
| | 6 PUSH Detected Push Side Mounting Selective Hold Open | | | | |

USA & Canada Prices Effective June 3, 2019

CHECKMATE® 99

| Model | Description | Price |
|--|---------------------------------|------------|
|  99-726 | Non-Detected Push Side Mounting | \$566.00 |
|  99-626 | Detected Push Side Mounting | \$1,488.00 |
|  99-926 | Non-Detected Pull Side Mounting | \$566.00 |
|  99-826 | Detected Pull Side Mounting | \$1,488.00 |

How To Order

| 99-726 Series | x 24VDC Voltage | x 689 Finish |
|--|-----------------|--------------------------|
| 99-726 Non-Detected Push Side Mounting | 24VAC/DC | 689 Sprayed Aluminum |
| 99-626 Detected Push Side Mounting | 120VAC | 690 Sprayed Dark Bronze |
| 99-926 Non-Detected Pull Side Mounting | | 691 Sprayed Light Bronze |
| 99-826 Detected Pull Side Mounting | | 696 Sprayed Brass |
| | | BSP Black Suede |
| | | WSP White Suede |

RIXSON

ASSA ABLOY

The global leader in
door opening solutions

USA & Canada Prices Effective June 3, 2019

Norton and Rixson are brands associated with ASSA ABLOY Access and Egress Hardware Group, Inc., an ASSA ABLOY Group company.
Copyright© 2002-2019, ASSA ABLOY Access and Egress Hardware Group, Inc. All rights reserved. Reproduction in whole or in part
without the express written permission of ASSA ABLOY Access and Egress Hardware Group, Inc. is prohibited.
Contact Norton: 877-974-2255 or visit www.nortondoорcontrols.com; Contact RIXSON: 800-457-5670 or visit www.rixson.com.
In Canada contact us at: 800-461-3007 or visit www.assaabloydss.ca

RIXSON

Parts Price List

USA and Canada Prices Effective June 3, 2019

| Contents | Page |
|---|-------------|
| Finishes | 141 |
| Heavy Duty Floor Closers | 142 |
| Offset Hung | |
| Single Acting Center Hung | |
| Double Acting Center Hung | |
| Shallow Depth Floor Closers | 155 |
| Offset Hung | |
| Single Acting Center Hung Floor Closer | |
| Double Acting Center Hung Floor Closer | |
| Specialty Closers | 161 |
| Duo Chek® Double Acting Floor Closers | |
| Gate Closers | |
| Security Closers | |
| Exterior Gate Closers | |
| Overhead Concealed Closers | 167 |
| Commodity Grade 608 Series | |
| Offset Hung | |
| Center Hung | |
| Architectural Grade 91, 700, 800 Series | |
| Offset Hung | |
| Single Acting Center Hung | |
| Double Acting Center Hung | |
| Pivots and Pivot Sets | 179 |
| Top Pivots | |
| Intermediate Pivots | |
| Pocket Pivots | |
| Offset Hung Sets | |
| Center Hung Sets | |
| Checkmate® Stops & Holders | 190 |
| Electromagnetic Door Holder/Releases | 191 |
| Electrified Closer/Holders | 197 |
| Smok-Chek® V | |
| Smok-Chek® VI | |
| Checkmate® 99 | |

Finish Symbol Designations

| BHMA** | US | DESCRIPTION |
|-----------------|------|---|
| 600 / 674 | P | PRIME COAT |
| 605* / 632 | 3 | BRIGHT BRASS |
| 606 / 633 | 4 | SATIN BRASS |
| 611 / 637 | 9 | BRIGHT BRONZE |
| 612 / 639 | 10 | SATIN BRONZE |
| 613 / 640 | 10B | DARK BRONZE |
| 613E / 640E | 10BE | DARK OXIDIZED SATIN BRONZE - EQUIVALENT |
| 618 | 14 | BRIGHT NICKEL |
| 619 | 15 | SATIN NICKEL |
| 622 / 693 / BSP | 19 | BLACK SUEDE POWDER COAT |
| 625 / 651 | 26 | BRIGHT CHROME |
| 626 / 652 | 26D | SATIN CHROME |
| 629* | 32 | BRIGHT STAINLESS |
| 630* | 32D | SATIN STAINLESS |
| 689 | | SPRAYED ALUMINUM |
| 690 | | SPRAYED DARK BRONZE |
| 691 | | SPRAYED LIGHT BRONZE |
| 696 | | SPRAYED BRASS |
| WSP | | WHITE SUEDE |

Blackened or hammered finishes are not available.

For any other finishes not listed, contact pricing department, 800-457-5670.

* Patch fittings are available in these finishes only.

** BHMA numbers are assigned by base metals on which finish is being applied. For more information see ANSI A156.18. Appearance should closely match old US numbers.

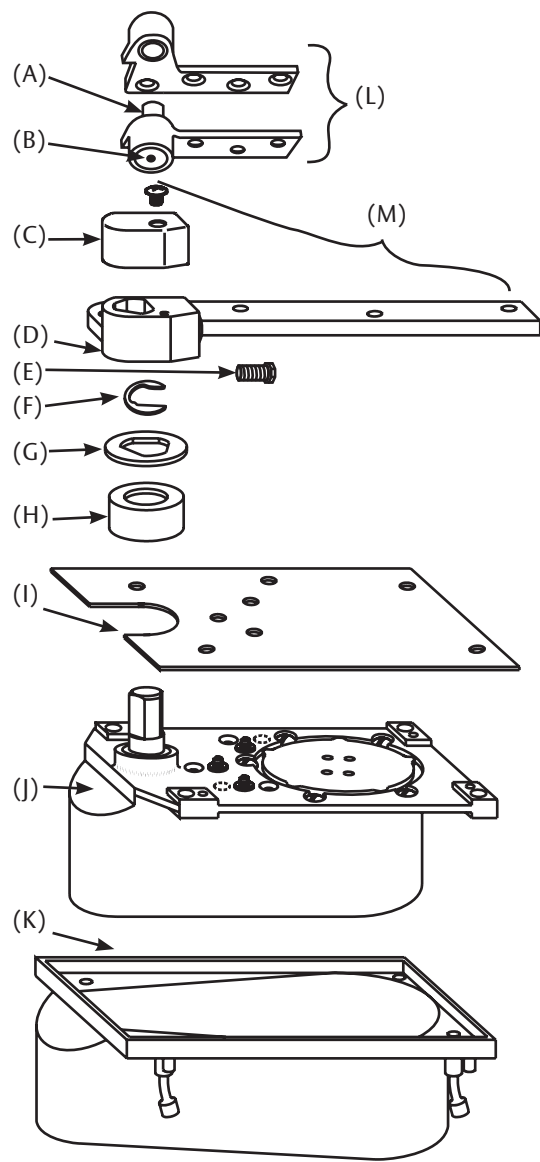
For finish availability see product “how to order” pages.

Model 27

Right Hand Shown
3/4" Offset

| | |
|---|---------|
| (A) Pivot Stud 181770-ASY | \$8.00 |
| (B) Hex Cap 181778-* | \$8.40 |
| (C) Arm Cap & Screw 012142R*AS (RH, BRS) 012142L*AS (LH, BRS) 012144R*AS (RH, SS) 012144L*AS (LH, SS) | \$48.80 |
| (D) 3/4" Offset Arm x Locking Screw 275177 (RH) 275176 (LH) | \$97.00 |
| (E) Arm Locking Screw Only 88905-PKG (5) | \$36.60 |
| (F) Arm Shims 275065-PKG (5) | \$36.60 |
| (G) Arm Bearing Washer 275062-PKG (5) | \$19.30 |
| (H) Spindle Shoulder Collar 259000-* | \$32.20 |

| For 27 x 1-1/2" Offset | |
|--|-------------|
| 1-1/2" Offset Top Pivot 180 x 1-1/2" F180 x 1-1/2" Fire Rated 180 x 20 x 1-1/2" 20 Minute | See Page 81 |
| 1-1/2" Offset Arm x Locking Screw 275167-* | \$151.00 |
| 1-1/2" Bottom Arm Package 252060R* 252060L* | See Page 81 |



| | |
|---|--------------|
| (L) 3/4" Offset Top Pivot Assembly 180 (standard) F180 Fire Rated 180-20 (20 minutes) | See Page 115 |
| (M) Bottom Arm Package 252050R* (RH) 252050L* (LH) Package includes: arm locking screw, arm cap and screw, spindle shoulder collar and attaching screws. | See Page 80 |
| (I) Floor Plate x Screws 274050R* (RH) NHO/AHO 274050L* (LH) NHO/AHO 274750R* (RH) SHO 274750L* (LH) SHO | See Page 80 |
| (J) Closer Body LAP Specify Complete Model | See Page 80 |
| (K) Cement Case x Screws 253000-PKG | See Page 80 |

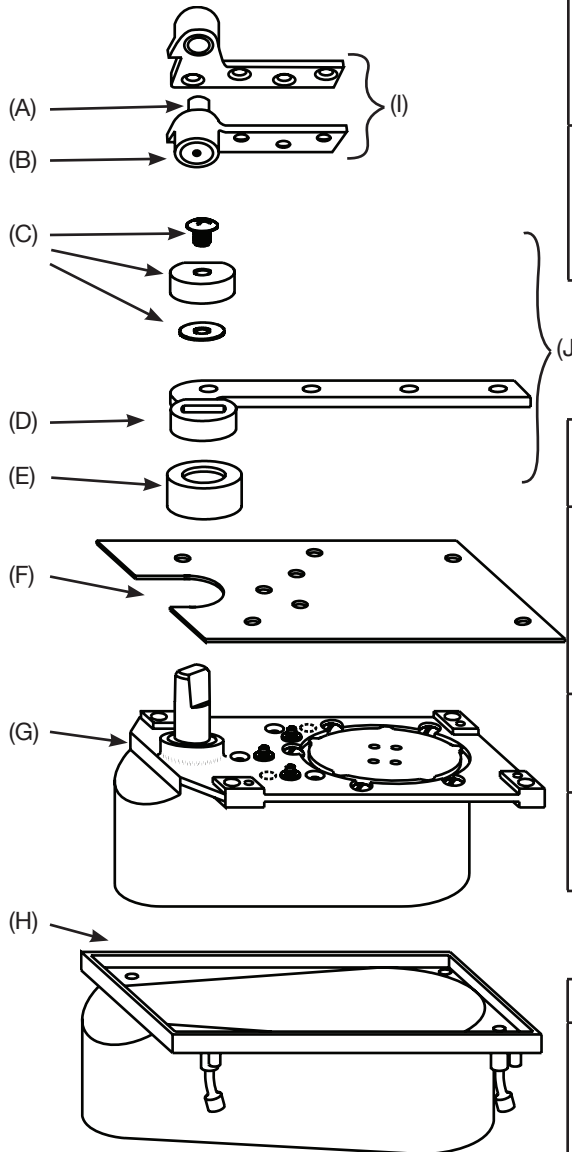
| Screw Kits | |
|--|--------|
| 180 Top Pivot Screw Kit 107014-* Machine (2) Req 107114-* Wood (2) Req | \$8.20 |
| Arm Screw Kit 107044 Machine 107144 Wood | \$8.20 |
| Floor Plate Screw Kit 107004 -* | \$8.20 |
| Cement Case Screw Kit 107046 | \$8.20 |

*specify finish

Models 127/427

Right Hand Shown
3/4" Offset Only

| | |
|---|----------|
| (A) Pivot Stud 181770-ASY | \$8.00 |
| (B) Hex Cap 181778-* | \$8.40 |
| (C) Arm Cap x Screw Washer 12029-*AS | \$48.80 |
| (D) 3/4" Offset Arm 12027 (RH) 12028 (LH) | \$180.00 |



| | |
|--|--------------------|
| (I) 3/4" Offset Top Pivot 180 F180 Fire Rated 180 x 20 20 Minute | See Page 115 |
| (J) Bottom Arm Package 652050R* (RH) 652050L* (LH) <i>Includes arm cap and attaching screws</i> | See Page 80 |

Model 427

| | |
|---|-----------------|
| (D) 3/4" Offset Arm 12027 (RH) 12028 (LH) | \$180.00 |
| Top Pivot 180 x 102 | See Page 115 |

180 x 102

| | |
|---|-------------------|
| (E) Spindle Shoulder Collar 259000-* | |
| (F) Floor Plate with Screws 274050R* (RH) NHO 274050L* (LH) NHO 274750R* (RH) SHO 274750L* (LH) SHO | See Page 80 |
| (G) Closer Body (Specify Complete Model No. x LAP) | See Page 80 |
| (H) Cement Case with Screws 253000 - PKG | See Page 80 |

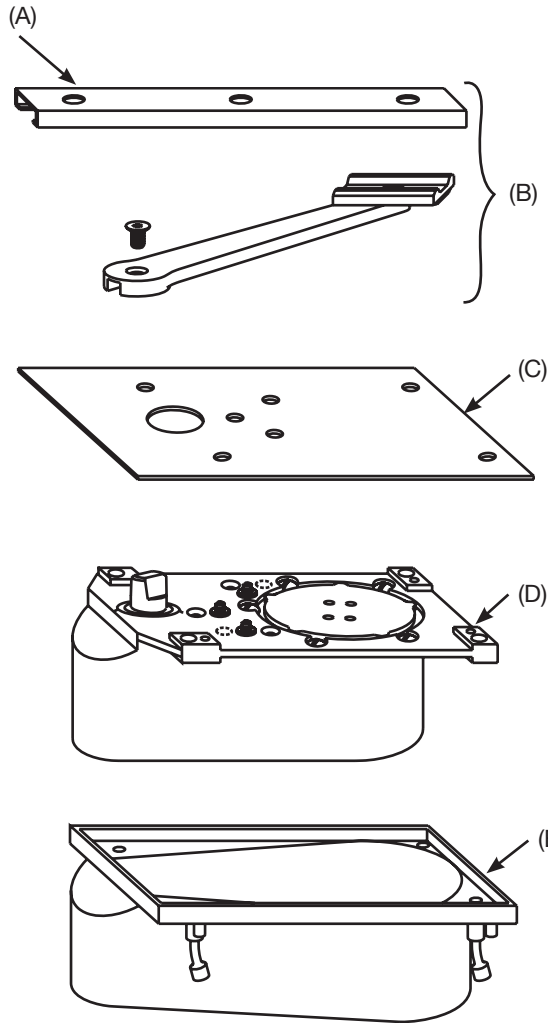
| Screw Kits | |
|---|--------|
| 180 x 102 Screw Kit 107014-* 1 each 107114-* 1 each 107112-* 1 each 107012-* 1 each | \$8.20 |
| 180 Top Pivot Screw Kit 107014-* Machine (2) Req 107114-* Wood (2) Req | \$8.20 |
| Arm Screw Kit 107044 Machine 107144 Wood | \$8.20 |
| Floor Plate Screw Kit 107004-* | \$8.20 |
| Cement Case Screw Kit 107046 | \$8.20 |

*specify finish

Model F327

Right Hand Shown
3/4" Offset Only

| | |
|-------------------------|---------|
| (A) Door Rail 327006 | \$93.00 |
|-------------------------|---------|



| | |
|---|-------------|
| (B) Bottom Arm Package 3252010-* | See Page 81 |
| (C) Floor Plate with Screws 3274010R* (RH) 3274010L* (LH) | See Page 81 |
| (D) Closer Body (Specify Complete Model No. x LAP) | See Page 81 |
| (E) Cement Case with Screws 253000-PKG | See Page 81 |

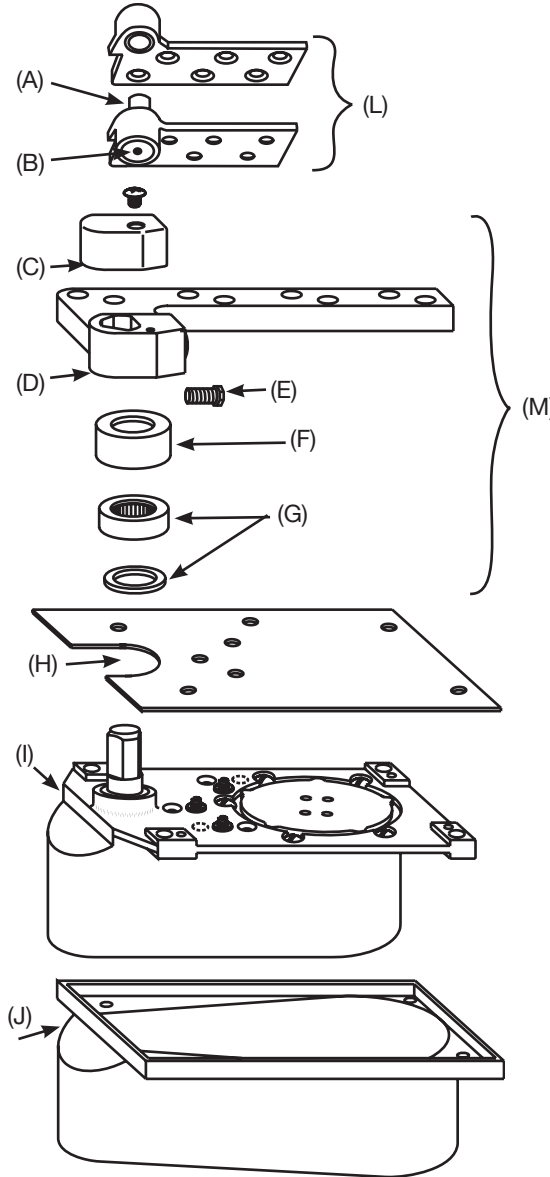
| Screw Kits | |
|-----------------------------------|--------|
| Slide Track Screw Kit 107033 | \$8.20 |
| Floor Plate Screw Kit 107004-* | \$8.20 |
| Cement Case Screw Kit 107046 | \$8.20 |

**specify finish*

Model L27

Right Hand Shown
3/4" Offset Only

| | |
|---|----------|
| (A) Pivot Stud 181770-ASY | \$8.00 |
| (B) Hex Cap 181778-* | \$8.40 |
| (C) Arm Cap & Screw 012142R*AS (RH, BRS) 012142L*AS (LH, BRS) 012144R*AS (RH, SS) 012144L*AS (LH, SS) | \$48.80 |
| (D) Arm x Locking Screw 1-3/4" Door 18550-Asy (RH) 18650-Asy (LH) | \$183.10 |
| (D) Arm x Locking Screw 2" Door 18551-Asy (RH) 18651-Asy (LH) | \$404.50 |
| (D) Arm x Locking Screw 2-1/4" Door 18552-Asy (RH) 18652-Asy (LH) | \$404.50 |
| (D) Arm x Locking Screw 2-1/2" Door 18553-Asy (RH) 18653-Asy (LH) | \$404.50 |
| (D) Arm x Locking Screw 3" Door 18554-Asy (RH) 18654-Asy (LH) | \$404.50 |
| (E) Arm Locking Screw Only 88905-PKG (5) | \$36.60 |
| (F) Spindle Shoulder Collar 259500-* | \$93.00 |
| (G) Heavy-Duty Thrust Bearing 41204-PKG (includes 41207N spacer) | \$104.00 |



| For L27 x 3/4" Offset | |
|--|-----------------|
| (L) 3/4" Offset Top Pivot F180 FL180 Fire Rated L180 x 20 20 Minute | See Page 115 |
| (M) Bottom Arm Package 1-3/4" Door 252051R* (RH) 252051L* (LH) 2" Door 252052R* (RH) 252052L* (LH) 2-1/4" Door 252053R* (RH) 252053L* (LH) 2-1/2" Door 252054R* (RH) 252054L* (LH) 3" Door 252055R* (RH) 252055L* (LH) <i>Package includes: arm, arm locking screw, arm cap and screw, shoulder collar and attaching screws.</i> | See Page 82 |
| (H) Floor Plate with Screws 274050R* (RH) NHO 274050L* (LH) NHO 274750R* (RH) SHO 274750L* (LH) SHO | See Page 82 |
| (I) Closer Body (Specify Complete Model No. x LAP) includes 41204- PKG | See Page 82 |
| (J) Cement Case with Screws 253001 | See Page 82 |

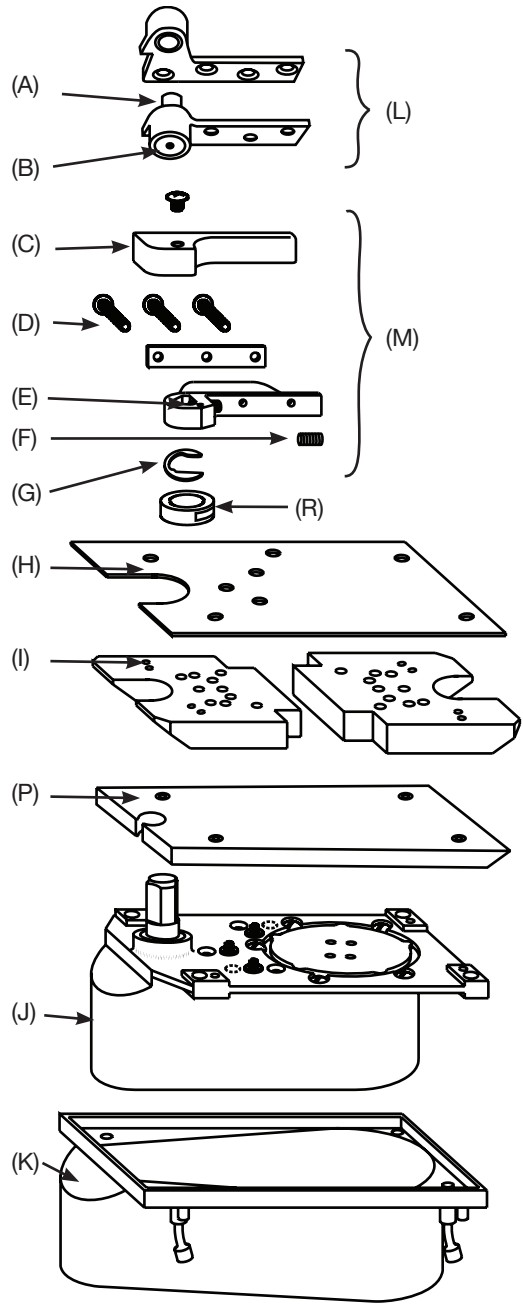
| Screw Kits | |
|---|--------|
| L180 Screw Kit 107016-* Machine (2) Req 107116-* Wood (2) Req | \$9.20 |
| Arm Screw Kit 107048 Machine 107144 Wood | \$8.20 |
| Floor Plate Screw Kit 107004-* | \$8.20 |
| Cement Case Screw Kit 107046 | \$8.20 |

*specify finish

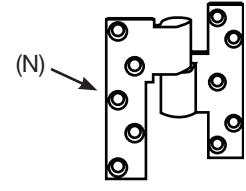
Model Q27/QT27

Right Hand Shown
3/4" Offset Only

| | |
|---|----------|
| (A) Pivot Stud 181770-ASY | \$8.00 |
| (B) Hex Cap 181778-* | \$8.40 |
| (C) Arm Cap & Screw 73035R*AS (RH) 73035L*AS (LH) | \$48.80 |
| (D) Arm Mounting Screws and Plate 73014-* | \$8.20 |
| (E) Removable Arm 73001R-ASY (RH) 73001L-ASY (RH) | \$184.00 |
| (F) Arm Locking Screw Only - 88905-PKG (5) | \$36.60 |
| (G) Arm Washer/Shim Package - 275179 Includes 275065 and 275178 Torque Washer | \$37.30 |
| (I) Q27 Styrofoam Filler 73009 | \$39.10 |
| (P) QT Styrofoam Filler 73017 | \$8.20 |
| (R) Spindle Shoulder Collar 259000-* | \$32.20 |



| For Q27/QT27 x 3/4" Offset | |
|---|--------------|
| (L) 3/4" Offset Top Pivot 180 F180 Fire Rated 180 x 20 20 Minute | See Page 115 |
| (M) Bottom Arm Package 222050R* (RH) 222050L* (LH) Package includes: arm, arm locking screw, arm cap and screw, arm mounting plate, shoulder collar and attaching screws | See Page 83 |
| 3/4" Offset Intermediate Pivot M19 FM19 M19-20 | See Page 116 |
| (N) M19 Intermediate Pivot Screw Kit 107015-* Machine (2 Req) 107115-* Wood (2 Req) | \$8.20 |



Intermediate Pivot

| | |
|---|-------------|
| (H) Q Floor Plate with Screws 294050R* (RH) NHO 294050L* (LH) NHO 294750R* (RH) SHO 294750L* (LH) SHO | See Page 83 |
| (J) Closer Body (Specify Complete Model No. x LAP) | See Page 83 |
| (K) Cement Case with Screws 253000-PKG | See Page 83 |

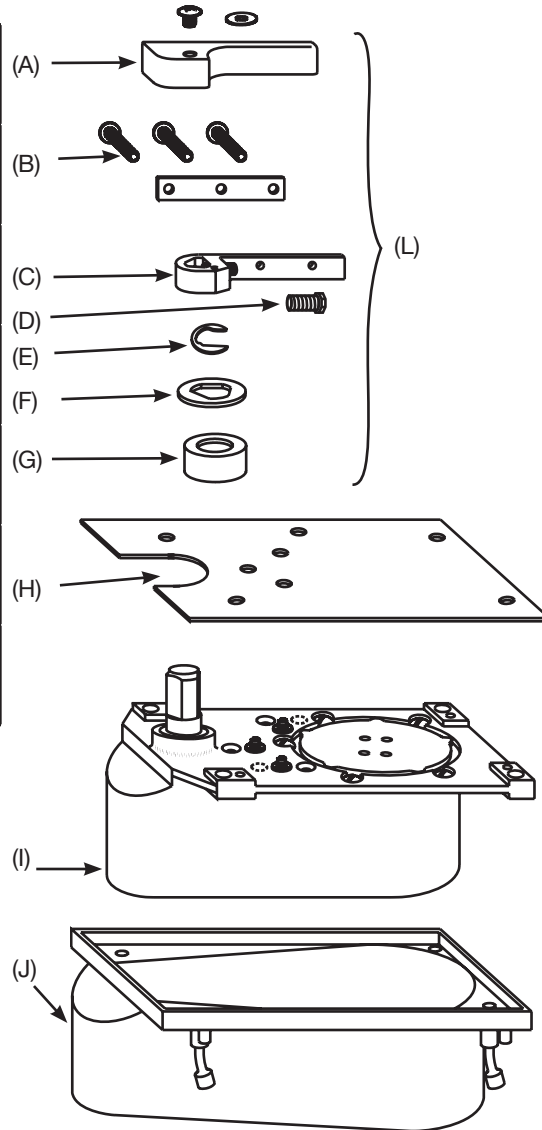
| Screw Kits | |
|--|--------|
| 180 Screw Kit 107014-* Machine (2) Req 107114-* Wood (2) Req | \$8.20 |
| Q Floor Plate Screw Kit 107010-* | \$8.20 |
| Cement Case Screw Kit 107046 | \$8.20 |

*specify finish

Model HM27

Right Hand Shown
3/4" Offset Only

| | |
|---|----------|
| (A) Arm Cap & Screw 73025R*AS (RH) 73025L*AS (LH) | \$48.80 |
| (B) Arm Mounting Screws and Plate 73014-* | \$8.20 |
| (C) Arm x Set Screw 73041R*AS (RH) 73041L*AS (LH) | \$243.90 |
| (D) Arm Locking Screw Only 88905-PKG (5) | \$36.60 |
| (E) Arm Shims (5) 275065-PKG | \$36.60 |
| (F) Arm Bearing Washer 275062-PKG-5 | \$19.30 |
| (G) Spindle Shoulder Collar 259000-* | \$32.20 |



| | |
|---|-------------------|
| (L) Bottom Arm Package 222050R*HM (RH) 222050L*HM (LH) Package includes: arm, arm locking screw, arm cap and screw, arm mounting plate, shoulder collar and attaching screws | See Page 83 |
| (H) Floor Plate with Screws 274050R* (RH) NHO 274050L* (LH) NHO 274750R* (RH) SHO 274750L* (LH) SHO | See Page 83 |
| (I) Closer Body (Specify Complete Model No. x LAP) | See Page 83 |
| (J) Cement Case with Screws 253000 - PKG | See Page 83 |
| (K) Special Offset Hinges (3) 254545*PK | See Page 83 |

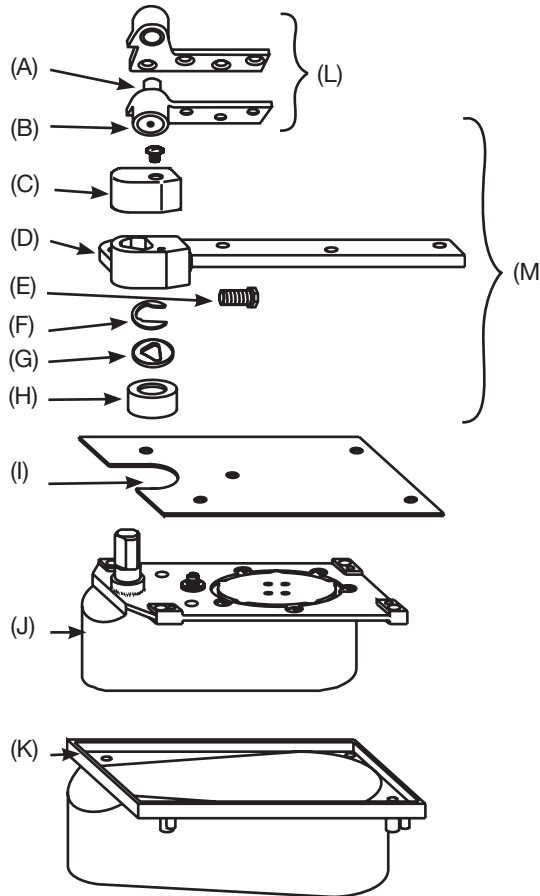
| Screw Kits | |
|-----------------------------------|--------|
| Floor Plate Screw Kit 107004-* | \$8.20 |
| Cement Case Screw Kit 107046 | \$8.20 |
| Hinge screw kit 107519-* | \$8.20 |

*specify finish

Model 20

Right Hand Shown
3/4" Offset Only

| | |
|---|---------|
| (A) Pivot Stud 181770-ASY | \$8.00 |
| (B) Hex Cap 181778-* | \$8.40 |
| (C) Arm Cap & Screw 012142R*AS (RH, BRS) 012142L*AS (LH, BRS) 012144R*AS (RH, SS) 012144L*AS (LH, SS) | \$48.80 |
| (D) 3/4" Offset Arm x Locking Screw 275177 (RH) 275176 (LH) | \$97.00 |
| (E) Arm Locking Screw Only 88905-PKG (5) | \$36.60 |
| (F) Arm Shims 275065-PKG (5) | \$36.60 |
| (G) Arm Bearing Washer 275062-PKG (5) | \$19.30 |
| (H) Spindle Shoulder Collar 259000-* | \$32.20 |



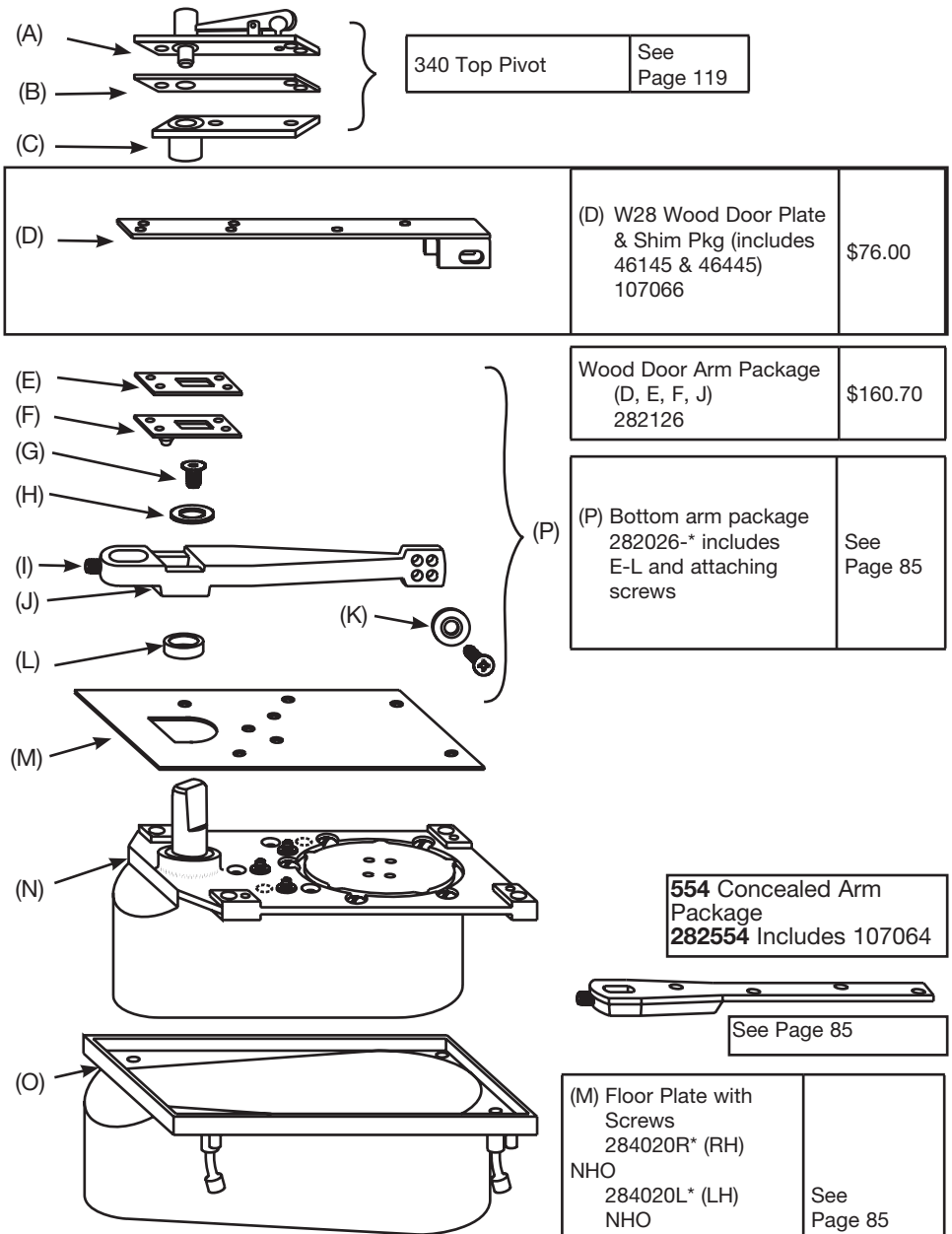
| | |
|---|--------------|
| (L) 3/4" Offset Top Pivot 180 FL180 Fire Rated 180 - 20 20 Minute | See Page 115 |
| (M) Bottom Arm Package 252050R* (RH) 252050L* (LH) <i>Package includes: arm, arm locking screw, arm cap and screw, shoulder collar and attaching screws.</i> | See Page 84 |
| (I) Floor Plate with Screws 204050-* | See Page 84 |
| (J) Closer Body (Specify Complete Model No. x LAP) | See Page 84 |
| (K) Cement Case with Screws 203000 | See Page 84 |

| Screw Kits | |
|--|--------|
| 180 Screw Kit 107014-* Machine (2) Req 107114-* Wood (2) Req | \$8.20 |
| Arm Screw Kit 107044-* Machine (2) Req 107144-* Wood (2) Req | \$8.20 |
| Floor Plate Screw Kit 107004-* | \$8.20 |
| Cement Case Screw Kit 107046 | \$8.20 |

*specify finish

Model 28

| | |
|--|----------|
| (A) Jamb Portion 3065 | \$120.00 |
| (B) Finish Plate 012202-*PK(BRS) 012204-*PK(SS) | \$48.80 |
| (C) Door Portion 30243 | \$120.00 |
| (E) Arm Plate Shims (.062) 46045-PKG (5) Arm Plate Shims (.187) 46145-PKG (5) | \$27.70 |
| (F) Arm Plate & Stud Assy 46445 | \$27.70 |
| (G) Arm Spindle Screw 01244010-PKG (5) | \$13.70 |
| (H) Arm Spindle Washer 01030-PKG (5) | \$23.50 |
| (I) Arm Set Screw Only 26087-PKG (5) | \$20.80 |
| (J) Arm & Arm Set Screw 282026 | \$74.00 |
| (K) Arm Alignment Screw & Washer (2) of each 107032-* | \$35.40 |
| (L) Arm Spindle Collar included in arm package) 259000-* | \$32.20 |



340 Top Pivot See Page 119

(D) W28 Wood Door Plate & Shim Pkg (includes 46145 & 46445) 107066 \$76.00

Wood Door Arm Package (D, E, F, J) 282126 \$160.70

(P) Bottom arm package 282026-* includes E-L and attaching screws See Page 85

554 Concealed Arm Package 282554 Includes 107064

See Page 85

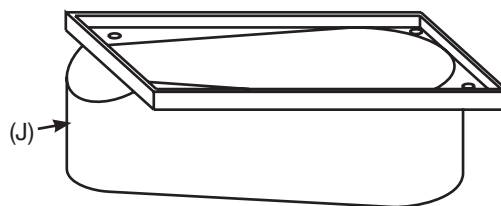
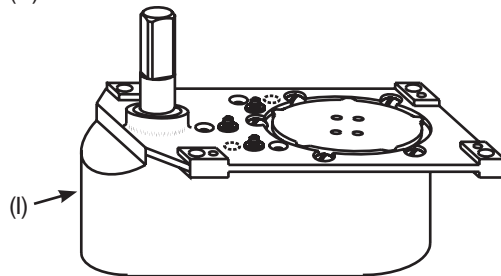
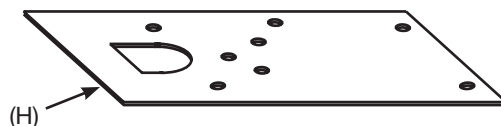
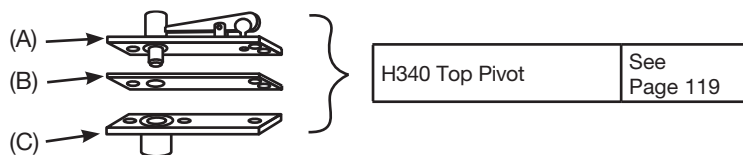
| Screw Kits | |
|--|--------|
| 340 Screw Kit 107329 Machine & Wood | \$8.20 |
| Arm Screw Kit 107048 Machine 107144 Wood | \$8.20 |
| 554 Arm Screw Kit 107064 | \$8.20 |
| Floor Plate Screw Kit 107004-* | \$8.20 |
| Cement Case Screw Kit 107046 | \$8.20 |

| | |
|--|-------------|
| (M) Floor Plate with Screws 284020R* (RH) NHO 284020L* (LH) NHO 284720R* (RH) SHO 284720L* (LH) SHO | See Page 85 |
| (N) Closer Body (Specify Complete Model No. x LAP) | See Page 85 |
| (O) Cement Case with Screws 253000-PKG | See Page 85 |

*specify finish

Model H28

| | |
|---|-------------------|
| (A) Jamb Portion 308548 | \$417.00 |
| (B) Finish Plate 012202-*PK (BRS) 012204-*PK (SS) | \$48.80 |
| (C) Door Portion 30141 | \$417.00 |
| (D) Standard End Load Arm Package (minimum 2" door thickness) 262022 includes 107060, 107045, and 107145 | See Page 86 |
| (E) Arm Spindle Collar 259500-* | \$93.00 |
| (F) Heavy-Duty Thrust Bearing 41204-PKG | \$104.00 |
| (G) Arm Shim Kit 107060 | \$11.20 |



**587 Side Load Arm Package
For 1-3/4" Door**

262587 includes 107060, 107077,
and 107145

See Page 86

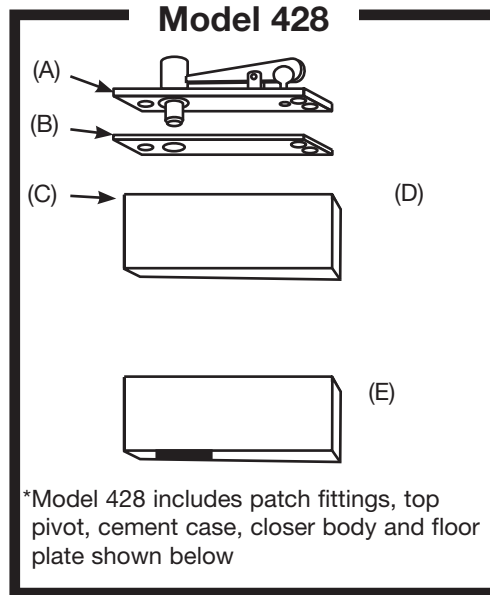
| | |
|---|-------------------|
| (H) Floor Plate with Screws 284020R* (RH) NHO 284020L* (LH) NHO 284720R* (RH) SHO 284720L* (LH) SHO | See Page 86 |
| (I) Closer Body (Specify Complete Model No. x LAP) includes 41204- PKG | See Page 86 |
| (J) Cement Case with Screws 253001 - PKG | See Page 86 |

| Screw Kits | |
|--|-------------------|
| H340 Screw Kit 107329 Machine & Wood | \$8.20 |
| 587 Arm Screw Kit 107077 Machine 107145-* Wood | \$13.30 \$8.20 |
| Arm Screw Kit 107045 Machine 107145 Wood | \$8.20 |
| Floor Plate Screw Kit 107004-* | \$8.20 |
| Cement Case Screw Kit 107046 | \$8.20 |

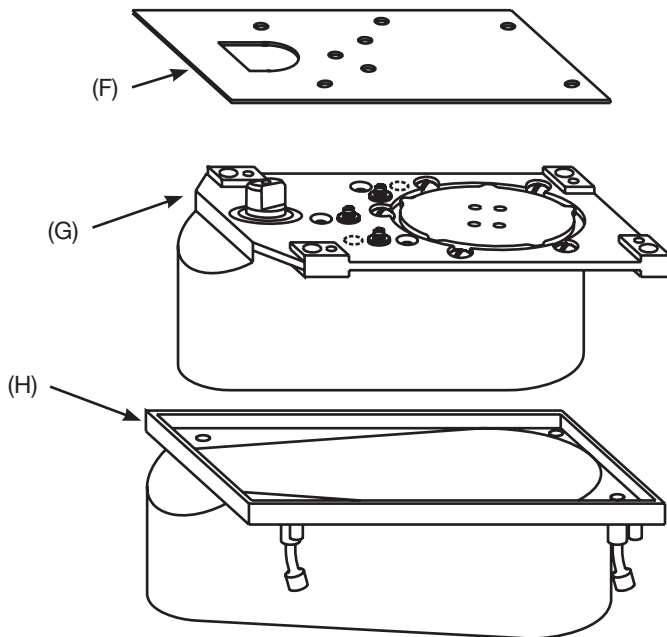
*specify finish

Model 328/428

| | |
|---|----------|
| (A) Jamb Portion 42801 | \$120.00 |
| (B) Finish Plate 012202-*PK (BRS) 012204-*PK (SS) | \$48.80 |
| (C) Door Portion 7495 - * | \$170.00 |
| Bottom Insert Pivot 74101 | \$45.90 |
| Top Pivot Insert 74102 | \$45.90 |



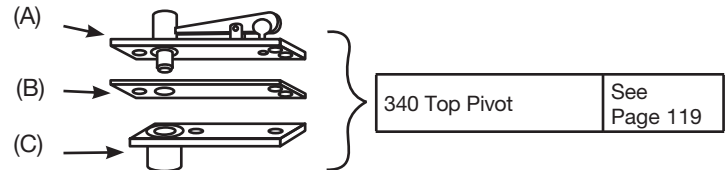
| | |
|---|----------------|
| (D) Top Patch 7494-* PK (includes items C & K) | See Page 87 |
| (E) Bottom Patch 7495-* PK (includes items C & J) | See Page 87 |
| (F) Floor Plate with Screws NHO - 284020R* (RH) 284020L* (LH) SHO- 284720R* (RH) 284720L* (LH) | See Page 87 |
| (G) Closer Body (Specify Complete Model No. x LAP) | See Page 87 |
| (H) 253000-PKG Cement Case with Screws | See Page 87 |



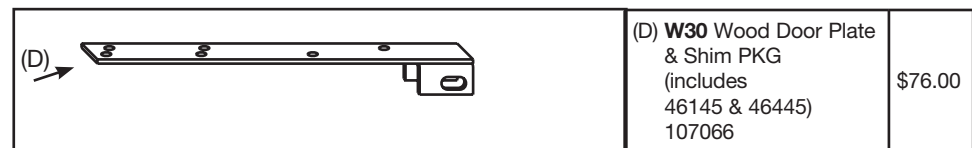
**specify finish*

Model 30

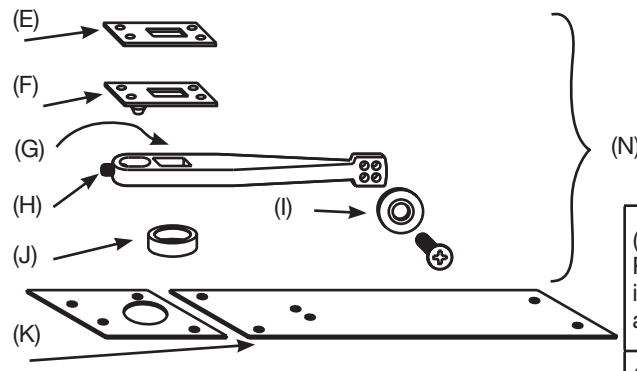
| | |
|---|----------|
| (A) Jamb Portion 3065 | \$120.00 |
| (B) Finish Plate 012202-*PK(BRS) 012204-*PK(SS) | \$48.80 |
| (C) Door Portion 30243 | \$120.00 |
| (E) Arm Plate Shims (.062) 46045-PKG (5) Arm Plate Shims (.187) 46145-PKG (5) | \$27.70 |
| (F) Arm Plate & Stud Assy 46445 | \$27.70 |
| (G) Arm & Arm Set Screw 302026 | \$148.00 |
| (H) Arm Set Screw Only 26087-PKG (5) | \$20.80 |
| (I) Arm Alignment Screw & Washer (2) 107032-* | \$35.40 |
| (J) Arm Spindle Collar 259000-* | \$32.20 |



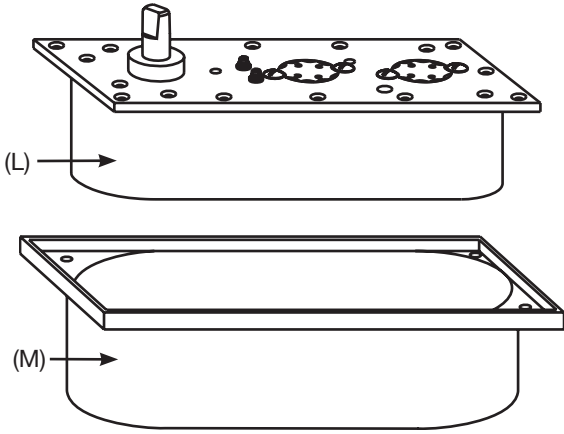
340 Top Pivot See Page 119



| | |
|---|---------|
| (D) W30 Wood Door Plate & Shim PKG (includes 46145 & 46445) 107066 | \$76.00 |
|---|---------|



| | |
|---|-------------|
| (N) Bottom Arm Package 302026-* includes E-J and attaching screws | See Page 88 |
|---|-------------|



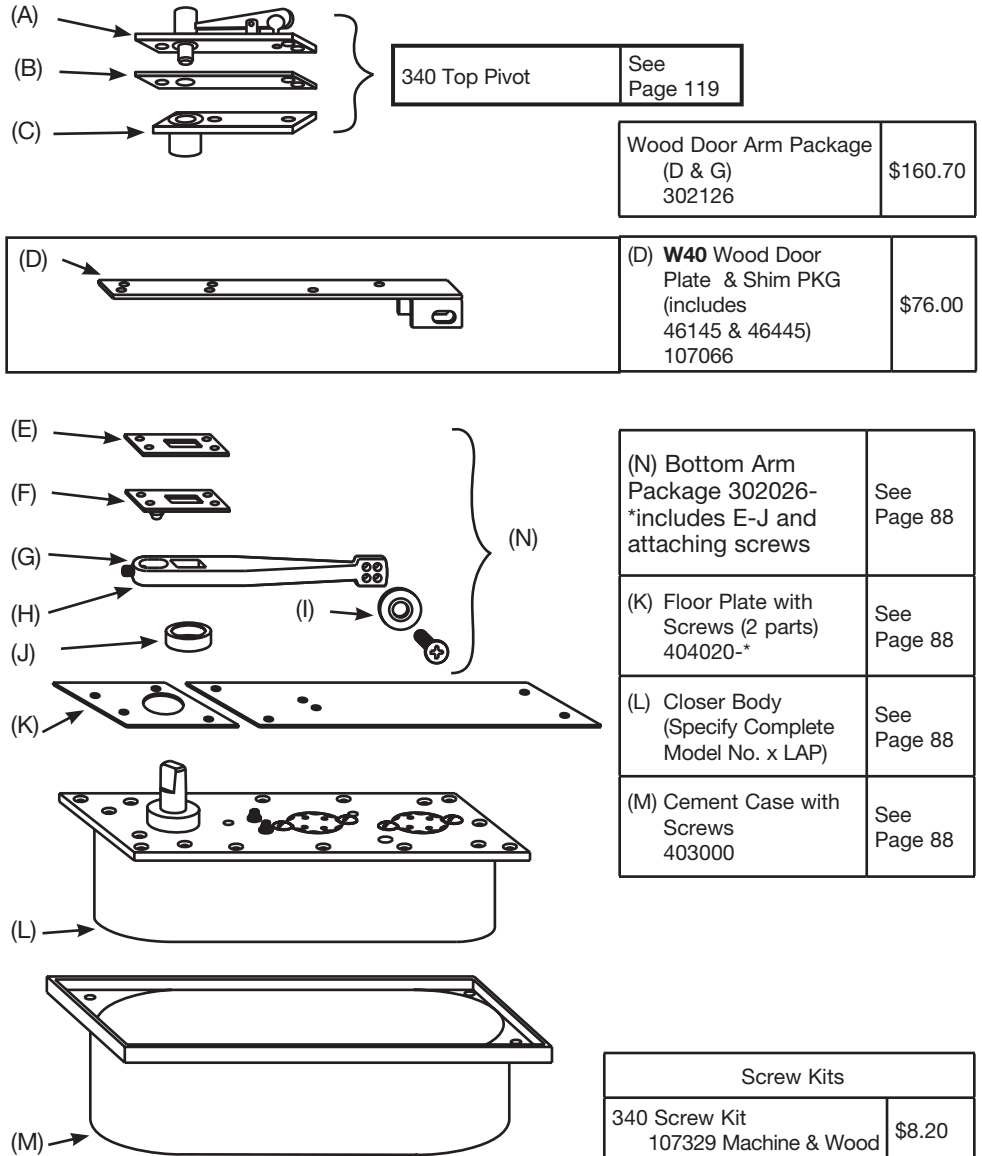
| | |
|--|-------------|
| (K) Floor Plate with Screws (2 parts) 304020-* | See Page 88 |
| (L) Closer Body (Specify Complete Model No. x LAP) | See Page 88 |
| (M) Cement Case with Screws 303000 | See Page 88 |
| Wood Door Arm Package (D & J) 302126 | \$160.70 |

| Screw Kits | |
|---|--------|
| H340 Screw Kit 107329 Machine & Wood | \$8.20 |
| Arm Screw Kit 107048 Machine 107144 Wood | \$8.20 |
| Floor Plate Screw Kit (2 required) 107004-* | \$8.20 |
| Cement Case Screw Kit 107014 | \$8.20 |

*specify finish

Model 40

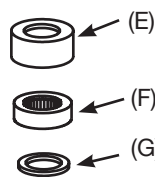
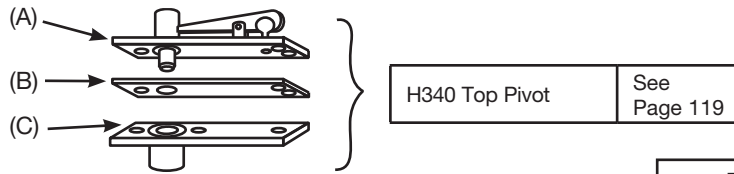
| | |
|---|----------|
| (A) Jamb Portion 3065 | \$120.00 |
| (B) Finish Plate 012202-*PK (BRS) 012204-*PK (SS) | \$48.80 |
| (C) Door Portion 30243 | \$120.00 |
| (E) Arm Plate Shims (.062) 46045-PKG (5) | \$27.70 |
| (E) Arm Plate Shims (.187) 46145-PKG (5) | \$27.70 |
| (F) Arm Plate & Stud Assy 46445 | \$27.70 |
| (G) Arm & Arm Set Screw 302026 | \$148.00 |
| (H) Arm Set Screw Only 26087-PKG (5) | \$20.80 |
| (I) Arm Alignment Screw & Washer (2)107032-* | \$35.40 |
| (J) Arm Spindle Collar 259000 | \$32.20 |



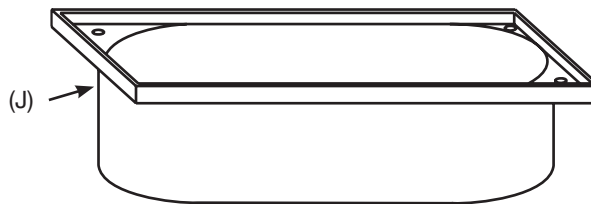
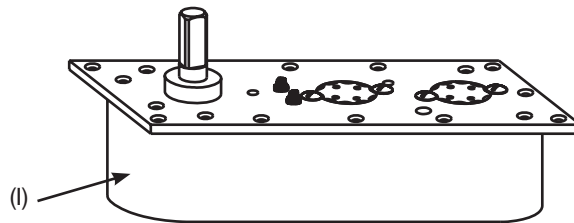
*specify finish

Model H40

| | |
|--|-------------------|
| (A) Jamb Portion 308548 | \$417.00 |
| (B) Finish Plate 012202-*PK (BRS) 012204-*PK (SS) | \$48.80 |
| (C) Door Portion 30141 | \$417.00 |
| (D) Standard End Load Arm Package (minimum 2" door thickness) 262022 | See Page 88 |
| (E) Arm Spindle Collar 259500-* | \$93.00 |
| (F) Heavy-Duty Thrust Bearing 41204-PKG | \$104.00 |
| (G) Arm Shim Kit 107060 | \$11.20 |



| | |
|---|----------------|
| For 1-3/4" Door | |
| | |
| 587 Side Load Arm Package 262587 includes 107060, 107077, 107145 | See Page 88 |



| | |
|---|-------------------|
| (H) Floor Plate with Screws 1 Large 1 Small 404020 -* | See Page 88 |
| (I) Closer Body (Specify Complete Model No. x LAP) includes 41204- PKG | See Page 88 |
| (J) Cement Case with Screws 403000 | See Page 88 |

| Screw Kits | |
|--|-------------------|
| H340 Screw Kit 107329 Machine & Wood | \$8.20 |
| 587 Arm Screw Kit 107077 Machine 107145 Wood | \$13.30 \$8.20 |
| Arm Screw Kit 107045 Machine 107145 Wood | \$8.20 |
| Floor Plate Screw Kit (2 required) 107004-* | \$8.20 |
| Cement Case Screw Kit 107014 | \$8.20 |

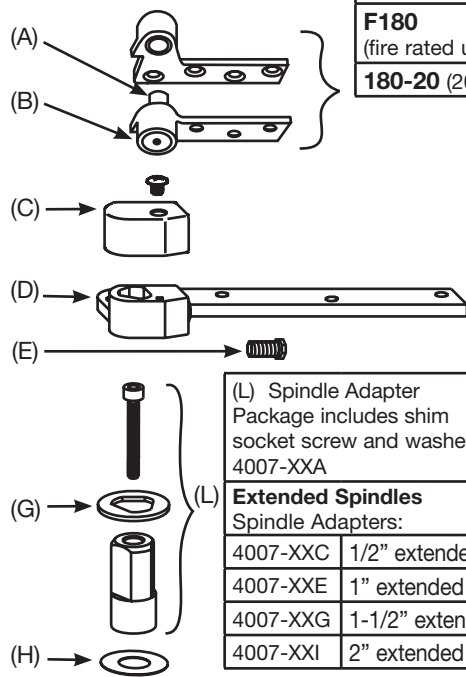
*specify finish

Model 51

Right Hand Shown
3/4" Offset

| | |
|---|---------|
| (A) Pivot Stud 181770-ASY | \$8.00 |
| (B) Hex Cap 181778-* | \$8.40 |
| (C) Arm Cap & Screw 012142R*AS (RH, BRS) 012142L*AS (LH, BRS) 012144R*AS (RH, SS) 012144L*AS (LH, SS) | \$48.80 |
| (D) 3/4" Offset Arm x Locking Screw 275177 (RH) 275176 (LH) | \$97.00 |
| (E) Arm Locking Screw Only 88905- PKG (5) | \$36.60 |
| (G) Arm Bearing Washer 275062-PKG (5) | \$19.30 |
| (H) Spindle Washer 519000-* | \$13.50 |

| 3/4" Offset Top Pivot Assembly | |
|---|--------------|
| 180 (standard) | See page 115 |
| F180 (fire rated up to 3 hours) | |
| 180-20 (20 minutes) | |



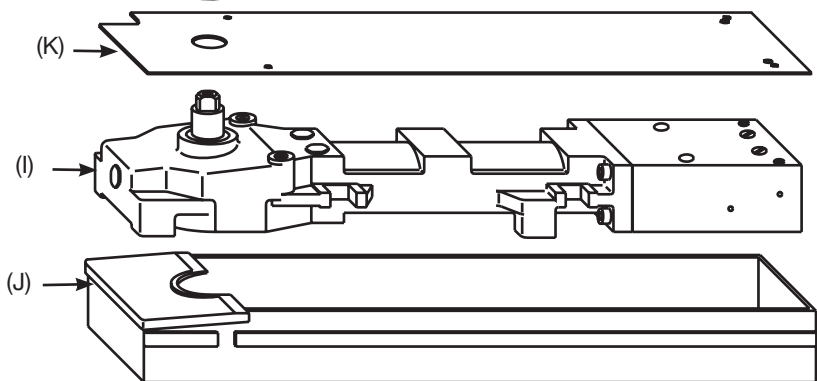
| Bottom Arm Package Includes arms screw cap, arm lock & lock screw | |
|--|-------------|
| 252050R* (RH) | See Page 91 |
| 252050L* (LH) | |

| (L) Spindle Adapter Package includes shim socket screw and washer 4007-XXA | \$142.80 |
|--|----------|
| Extended Spindles Spindle Adapters: | |
| 4007-XXC 1/2" extended | \$219.00 |
| 4007-XXE 1" extended | \$219.00 |
| 4007-XXG 1-1/2" extended | \$219.00 |
| 4007-XXI 2" extended | \$219.00 |

| | |
|---|-------------|
| (K) Floor Plate with Screws 4000500R* XXE (RH) 4000500L* XXE (LH) | See Page 91 |
|---|-------------|

| | |
|--|-------------|
| (I) Closer Body (Specify Complete Model No. x LAP) | See Page 91 |
|--|-------------|

| | |
|-------------------------------------|-------------|
| (J) Cement Case with Screws 4000301 | See Page 91 |
|-------------------------------------|-------------|



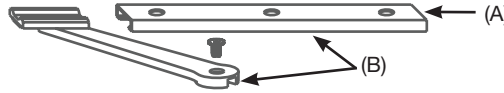
| For 51 x 1-1/2" Offset | |
|--|--------------|
| 180x1-1/2" (standard) F180x1-1/2" (fire rated up to 3 hours) 180-20x1-1/2" (20 minutes) | See Page 115 |
| 1-1/2" Offset Arm x Locking Screw 275167-* | \$151.00 |
| 1-1/2" Offset Bottom Arm pkg 252060-* | See Page 92 |

| Screw Kits | |
|---|--------|
| 180 Screw Kit 107014 Machine(2) Req 107114 Wood (2) Req | \$8.20 |
| Arm Screw Kit 107044 Machine 107144 Wood | \$8.20 |
| Floor Plate Screw Kit 107004-* | \$8.20 |
| Cement Case Screw Kit 107075 | \$8.20 |

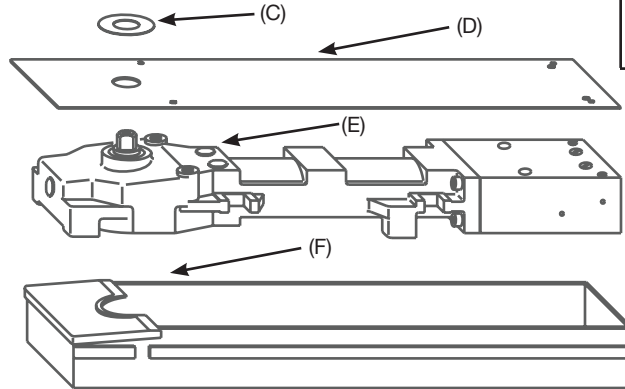
*specify finish

Model F5300 & F5310

| | |
|--------------------------------|---------|
| (A) Door Rail 327006 | \$93.00 |
| (C) Spindle Washer 539000-* | \$13.70 |



| | |
|--|----------------|
| (B) Bottom Arm Package 3252010-* | See Page 92 |
| (D) Floor Plate with Screws 4000600-XXA 4000600-XXE ("BC") | See Page 92 |
| (E) Closer Body (specify complete model no. x LAP) | See Page 92 |
| (F) Cement Case with Screws 4000301 | See Page 92 |



| Spindle Adapter Package includes socket screw | | |
|--|-----------------|----------|
| Extended Spindle Adapters | | |
| 4009-XXC | 1/2" extended | \$219.00 |
| 4009-XXE | 1" extended | \$219.00 |
| 4009-XXG | 1-1/2" extended | \$219.00 |
| 4009-XXI | 2" extended | \$219.00 |

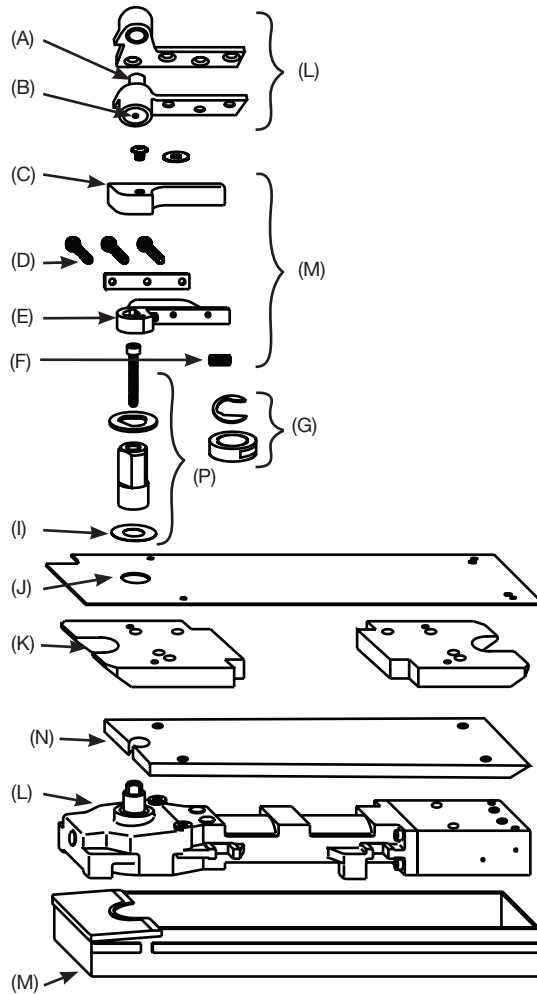
| Screw Kits | |
|-----------------------------------|--------|
| Floor Plate Screw Kit 107004-* | \$8.20 |
| Cement Case Screw Kit 107075 | \$8.20 |
| Slide Track Screw Kit 107033 | \$8.20 |

*specify finish

Model Q51/QT51

Right Hand Shown
3/4" Offset

| | |
|--|----------|
| (A) Pivot Stud 181770-ASY | \$8.00 |
| (B) Hex Cap 181778-* | \$8.40 |
| (C) Arm Cap & Screw 73035R*AS (RH, BRS) 73035L*AS (LH, BRS) | \$48.80 |
| (D) Q/QT27 Arm Mounting Screws & Plate 73014-* | \$8.20 |
| (E) Removable Arm 73001R-ASY (RH) 73001L-ASY (LH) | \$184.00 |
| (F) Arm Locking Screw Only 88905-PKG (5) | \$36.60 |
| (G) Arm Washer and Shim PKG 275179 (includes Shim 275065 and 275178 Torque Washer) | \$36.60 |
| (I) Spindle Washer 519000-X | \$13.50 |



| | |
|--|--------------------|
| (L) 3/4" Offset Top Pivot 180 FL180 Fire Rated 180 - 20 20 Minute | See Page 115 |
| (M) Bottom Arm Package 222050R* (RH) 222050L* (LH) | See Page 93 |

| | |
|--|----------|
| (P) Spindle Adapter Package includes shims & washer 4007-XXC | \$219.00 |
|--|----------|

| | | |
|---|---------------|----------|
| Extended Spindles Spindle Adapters: | | |
| 4007-XXF | 1/2" extended | \$219.00 |
| 4007-XXH | 1" extended | \$219.00 |

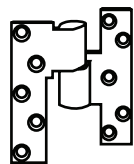
| | |
|--|-------------------|
| (J) Floor Plate w/Screws 4000501R* XXA (RH) 4000501L* XXE (LH, "BC") 4000501R* XXE (RH, "BC") 4000501L* XXE (LH, "BC") 4000501R* XXI (RH, "DA") 4000501L* XXI (LH, "DA") | See Page 93 |
|--|-------------------|

| | |
|--------------------------------------|---------|
| (K) Q51 Styrofoam Filler 4000-023 | \$70.00 |
|--------------------------------------|---------|

| | |
|---------------------------------------|---------|
| (N) QT51 Styrofoam Filler 4000-019 | \$70.00 |
|---------------------------------------|---------|

| | |
|--|-------------------|
| (L) Closer Body (Specify complete model no. x LAP) | See Page 93 |
|--|-------------------|

| | |
|-------------------------------------|-------------------|
| (M) Cement Case w/Screws 4000301 | See Page 93 |
|-------------------------------------|-------------------|



Intermediate Pivot

| | |
|---|--------------------|
| 3/4" Offset Intermediate Pivot (1) M19 FM19 Fire Rated M19-20 20 Minute | See Page 116 |
|---|--------------------|

**specify finish*

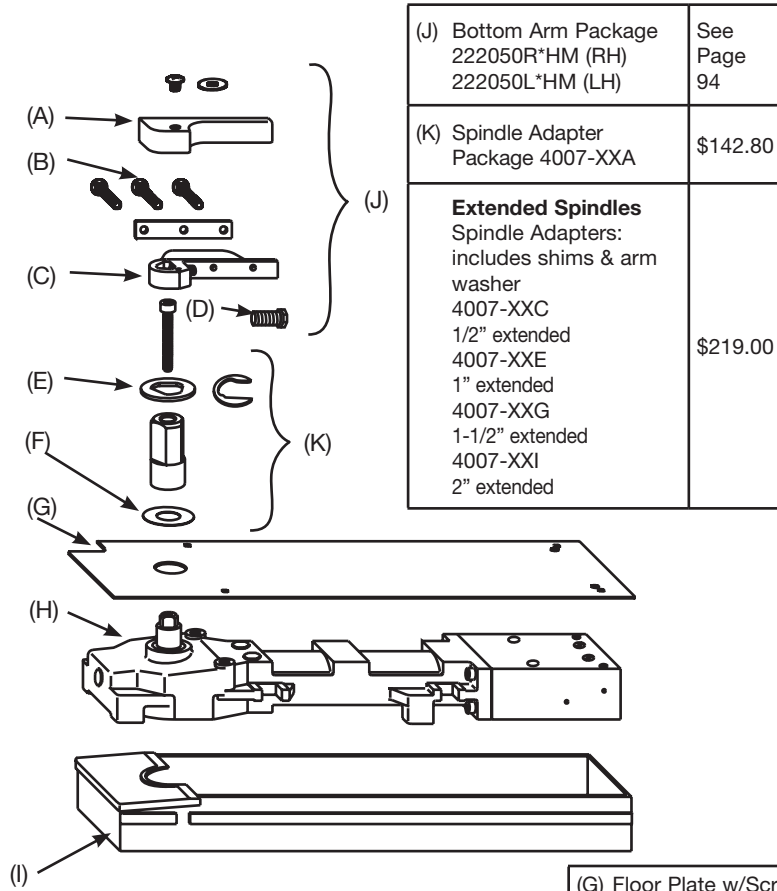
| | |
|--|--------|
| Screw Kits | |
| 180 Screw Kit 107014 Machine(2) Req 107114 Wood (2) Req | \$8.20 |
| Q Floor Plate Screw Kit 107010-* | \$8.20 |
| Cement Case Screw Kit 107075 | \$8.20 |
| M19 Intermediate Pivot Screw Kit 107015 Machine (2) Req 107115 Wood (2) Req | \$8.20 |

USA & Canada Prices Effective June 3, 2019

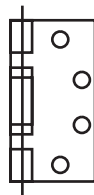
Model HM51

Right Hand Shown
3/4" Offset Only

| | |
|---|----------|
| (A) Arm Cap & Screw 73025R*AS (RH) 73025L*AS (LH) | \$48.80 |
| (B) HM51 Arm Mounting Screws & Plate 73014-* | \$8.20 |
| (C) Arm Cap & Screw 73041R*AS (RH) 73041L*AS (LH) | \$243.90 |
| (D) Arm Locking Screw Only 88905 - (5) | \$36.60 |
| (E) Arm Bearing Washer 275062-PKG (5) | \$36.60 |
| (F) Spindle Washer 519000-* | \$13.50 |



| | |
|---|-------------------|
| (J) Bottom Arm Package 222050R*HM (RH) 222050L*HM (LH) | See Page 94 |
| (K) Spindle Adapter Package 4007-XXA | \$142.80 |
| Extended Spindles Spindle Adapters: includes shims & arm washer | \$219.00 |
| 4007-XXC 1/2" extended | |
| 4007-XXE 1" extended | |
| 4007-XXG 1-1/2" extended | |
| 4007-XXI 2" extended | |
| | |



| Special Offset Hinges (3) | |
|---------------------------|----------------|
| 254545R*PK (RH) | See Page 94 |
| 254545L*PK (LH) | See Page 94 |

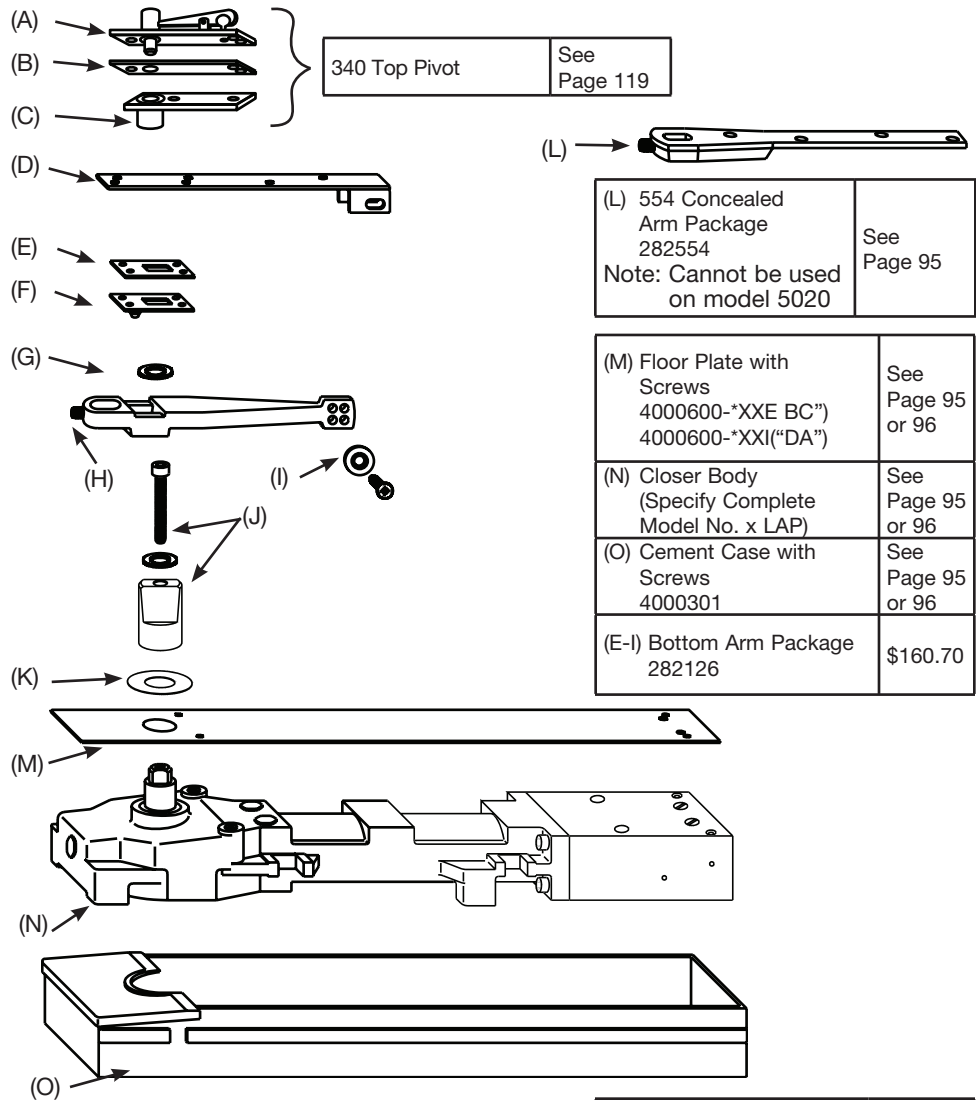
| | |
|--|----------------|
| (G) Floor Plate w/Screws 4000500R* XXE (RH) 4000501L* XXE (LH) 4000501R* XXE (RH, "BC") 4000501L* XXE (LH, "BC") 4000501R* XXI (RH, "DA") 4000501L* XXI (LH, "DA") | See Page 94 |
| (H) Closer Body (Specify complete model no. x LAP) | See Page 94 |
| (I) Cement case with screws 4000301 | See Page 94 |

| Screw Kits | |
|-----------------------------------|--------|
| Floor Plate Screw Kit 107004-* | \$8.20 |
| Cement Case Screw Kit 107075 | \$8.20 |
| Hinge screw kit 107519-* | \$8.20 |

*specify finish

Model 50 & 5020

| | |
|--|----------|
| (A) Jamb Portion 3065 | \$120.00 |
| (B) Finish Plate 012202-*PK(BRS) 012204-*PK(SS) | \$48.80 |
| (C) Door Portion 30243 | \$120.00 |
| (D) W28 Wood Door Plate/Shim Pkg (includes 46145 & 46445) 107066 Wood door arm pkg. 282126 | \$76.00 |
| (E) Arm Plate Shims (.062) 46045-PKG (5) Arm Plate Shims (.187) 46145-PKG (5) | \$27.70 |
| (F) Arm Plate & Stud Assy 46445 | \$27.70 |
| (G) Arm & Arm Set Screw 282026 | \$74.00 |
| (H) Arm Set Screw Only 26087-PKG (5) | \$20.80 |
| (I) Arm Alignment Screw & Washer (107032 -*) | \$35.40 |
| (J) Spindle Adapter Package 4010-XXA | \$172.50 |
| Extended Spindles Spindle Adapters | |
| 4010-XXC 1/2" extended | \$247.00 |
| 4010-XXE 1" extended | |
| 4010-XXG 1-1/2" extended | |
| 4010-XXI 2" extended | |
| (K) Spindle Washer 519000-* | \$13.50 |



| | |
|---|----------------|
| (L) 554 Concealed Arm Package 282554 Note: Cannot be used on model 5020 | See Page 95 |
|---|----------------|

| | |
|---|-------------------------|
| (M) Floor Plate with Screws 4000600-*XXE BC") 4000600-*XXI("DA") | See Page 95 or 96 |
|---|-------------------------|

| | |
|--|-------------------------|
| (N) Closer Body (Specify Complete Model No. x LAP) | See Page 95 or 96 |
|--|-------------------------|

| | |
|---|-------------------------|
| (O) Cement Case with Screws 4000301 | See Page 95 or 96 |
|---|-------------------------|

| | |
|------------------------------------|----------|
| (E-I) Bottom Arm Package 282126 | \$160.70 |
|------------------------------------|----------|

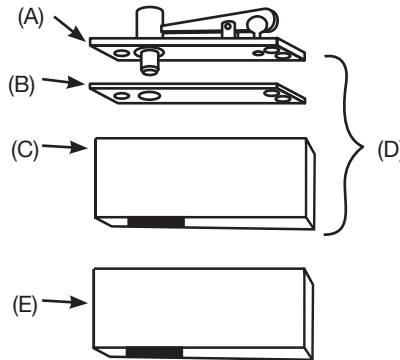
| Screw Kits | |
|--|--------|
| 554 Arm Screw Kit 107064 | \$8.20 |
| Floor Plate Screw Kit 107004-* | \$8.20 |
| Cement Case Screw Kit 107075 | \$8.20 |
| 340 Screw Kit 107329 Machine & Wood | \$8.20 |
| Arm Screw Kit 107048 Machine 107144 Wood | \$8.20 |

*specify finish

Model 5040

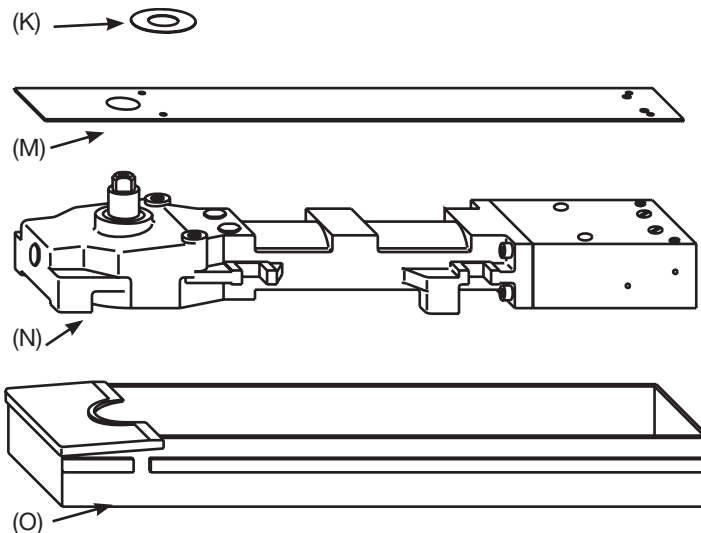
Right Hand Shown
3/4" Offset

| | |
|---|----------|
| (A) Jamb Portion 42801 | \$120.00 |
| (B) Finish Plate 012202-*PK (BRS) 012204-*PK (SS) | \$48.80 |
| (C) Patch Filling 7495-* | \$170.00 |
| Bottom Pivot Insert 74101 | \$45.90 |
| Top Pivot Insert 74102 | \$45.90 |



| | |
|--|-------------|
| (D) Top Patch 7494* PK | See Page 96 |
| (M) Floor Plate with Screws 4000600-*XXE BC") 4000600-*XXI("DA") | See Page 96 |
| (N) Closer Body (Specify Complete Model No. x LAP) | See Page 96 |
| (O) Cement Case with Screws 4000301 | See Page 96 |
| (E) Bottom Patch 7495-*PK (includes items C & J) | See Page 96 |

| | |
|---------------------------------|---------|
| (K) *Spindle washer 519000-* | \$13.50 |
|---------------------------------|---------|

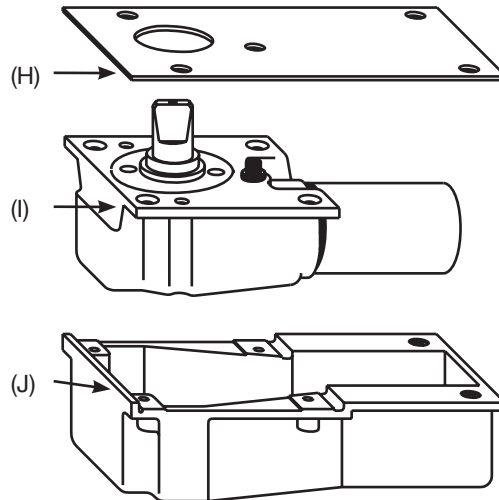
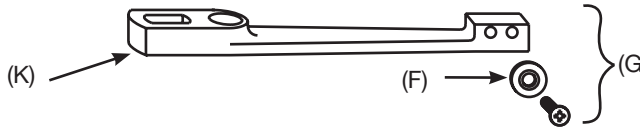
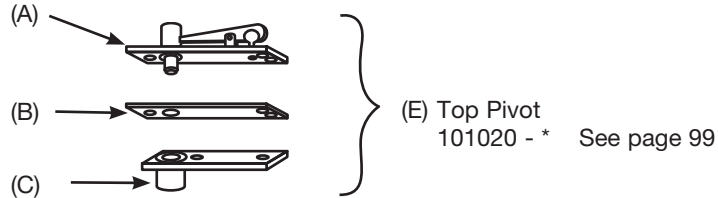


| Screw Kits | |
|---|--------|
| Floor Plate Screw Kit 107004-* | \$8.20 |
| Cement Case Screw Kit 107075 | \$8.20 |
| 340 Screw Kit 107329 Machine & Wood | \$8.20 |

**specify finish*

Model 10, PH10, 12, PH12, 15, 16 Duo-Chek®

| | |
|---|----------|
| (A) Jamb Portion 3065 | \$120.00 |
| (B) Finish Plate 012202-*PK(BRS) 012204-*PK(SS) | \$48.80 |
| (C) Door Portion 12716 | \$123.00 |
| (F) Alignment Screws & Washers 107032 - * | \$35.40 |
| (K) 1004 Duo Arm | \$97.00 |



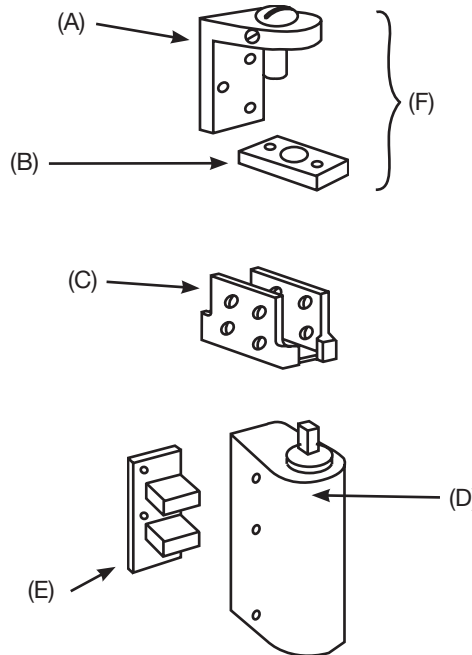
| | |
|--|----------------|
| (G) Arm Package 102026 - * (includes K & F and attaching screws.) | See Page 99 |
| (H) Floor Plate with Screws 104020 - * | See Page 99 |
| (I) Closer Body (Specify Complete Model No. x LAP) | See Page 99 |
| (J) Cement Case with Screws 103000 | See Page 99 |

| Screw Kits | |
|-----------------------------------|--------|
| Top Pivot Screw Kit 107329 | \$8.20 |
| Arm Screw Kit 107054 | \$9.60 |
| Floor Plate Screw Kit 107004-* | \$8.20 |

**specify finish*

Model 354

| | |
|---|----------|
| (A) Jamb Portion 01960-*AS | \$189.00 |
| (B) Gate Portion 35064-*AS | \$56.80 |
| (E) Bracket 3549000-* Includes Closer Mtg. Screw Kit | \$101.00 |



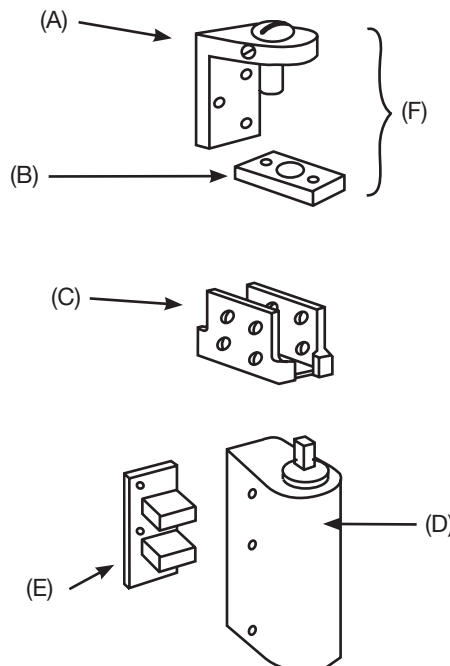
| | |
|--|----------------|
| (F) Top Pivot Package 3541020-* | See Page 99 |
| (C) Arm with Screws 3542026-* | See Page 99 |
| (D) Closer Body X03540370-* Includes Bracket | See Page 99 |

| Screw Kits | |
|---------------------------------|--------|
| Top Pivot Screw Kit 107017-* | \$9.20 |
| Closer Mtg. Screw Kit 107350 | \$7.00 |

**specify finish - sprayed finishes only*

Model 355

| | |
|---|----------|
| (A) Jamb Portion 0490-*AS | \$189.00 |
| (B) Gate Portion 35064-*AS | \$56.80 |
| (E) Bracket 3549000-* Includes Closer Mtg. Screw Kit | \$101.00 |



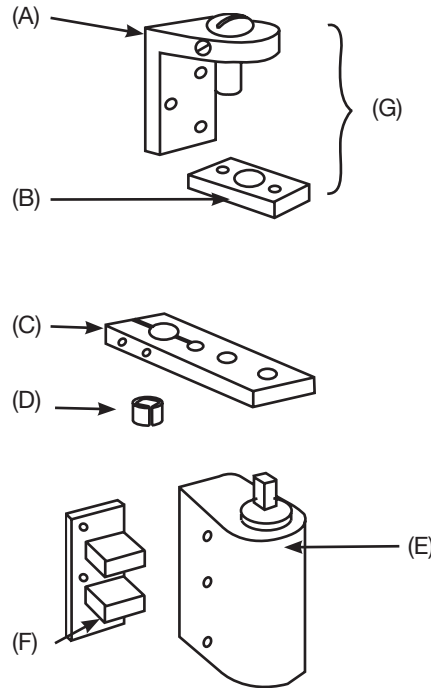
| | |
|--|----------------|
| (F) Top Pivot Package 3551020-* | See Page 99 |
| (C) Arm with Screws 3542026-* | See Page 99 |
| (D) Closer Body X03540370-* Includes Bracket | See Page 99 |

| Screw Kits | |
|---------------------------------|--------|
| Top Pivot Screw Kit 107017 | \$9.20 |
| Closer Mtg. Screw Kit 107350 | \$7.00 |

**specify finish*

Model 356

| | |
|---|----------|
| (A) Jamb Portion 01960-*AS | \$189.00 |
| (B) Gate Portion 35064-*AS | \$56.80 |
| (D) Bushing Only (included in arm package) 35051 | \$29.10 |
| (F) Bracket 3549000-* Includes Closer Mtg. Screw Kit | \$101.00 |



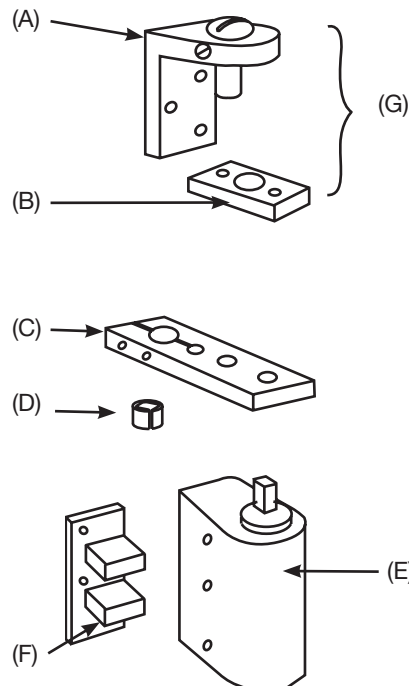
| | |
|--|----------------|
| (G) Top Pivot Package 3541020-* | See Page 99 |
| (C) Arm with Screws 3562020-* | See Page 99 |
| (E) Closer Body X03540370-* Includes Bracket | See Page 99 |

| Screw Kits | |
|----------------------------------|--------|
| Top Pivot Screw Kit 107017 -* | \$9.20 |
| Arm Screw Kit 107359 | \$7.00 |
| Closer Mtg. Screw Kit 107350 | \$7.00 |

*specify finish - sprayed finishes only

Model 357

| | |
|--|----------|
| (A) Jamb Portion 0490-*AS | \$189.00 |
| (B) Gate Portion 35064-*AS | \$56.80 |
| (D) Bushing Only (included in arm package) 35051 | \$29.10 |
| (F) Bracket 3549000-* Includes Closer Mtg Screw Kit | \$101.00 |



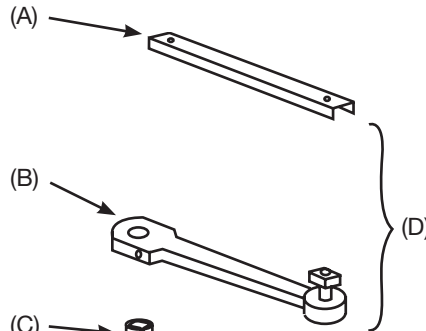
| | |
|--|----------------|
| (G) Top Pivot Package 3551020-* | See Page 99 |
| (C) Arm with Screws 3562020-* | See Page 99 |
| (E) Closer Body X03540370-* Includes Bracket | See Page 99 |

| | |
|---------------------------------|--------|
| Top Pivot Screw Kit 107017-* | \$9.20 |
| Arm Screw Kit 107359 | \$7.00 |
| Closer Mtg. Screw Kit 107350 | \$7.00 |

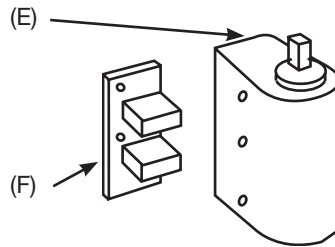
*specify finish - sprayed finishes only

Model 359

| | |
|---|----------|
| (A) Rail 35510-* | \$67.00 |
| (B) Arm with Screw & Bushing 35535-* | \$392.00 |
| (C) Bushing Only (included in arm package) 35051 | \$29.10 |
| (F) Bracket 3549000- Includes Closer Mtg. Screw Kit | \$101.00 |



| | |
|--|-------------|
| (D) Arm & Rail Package 3592010- Includes ABC of Attaching Screws | See Page 99 |
| (E) Closer Body X03540370- Includes Bracket | See Page 99 |



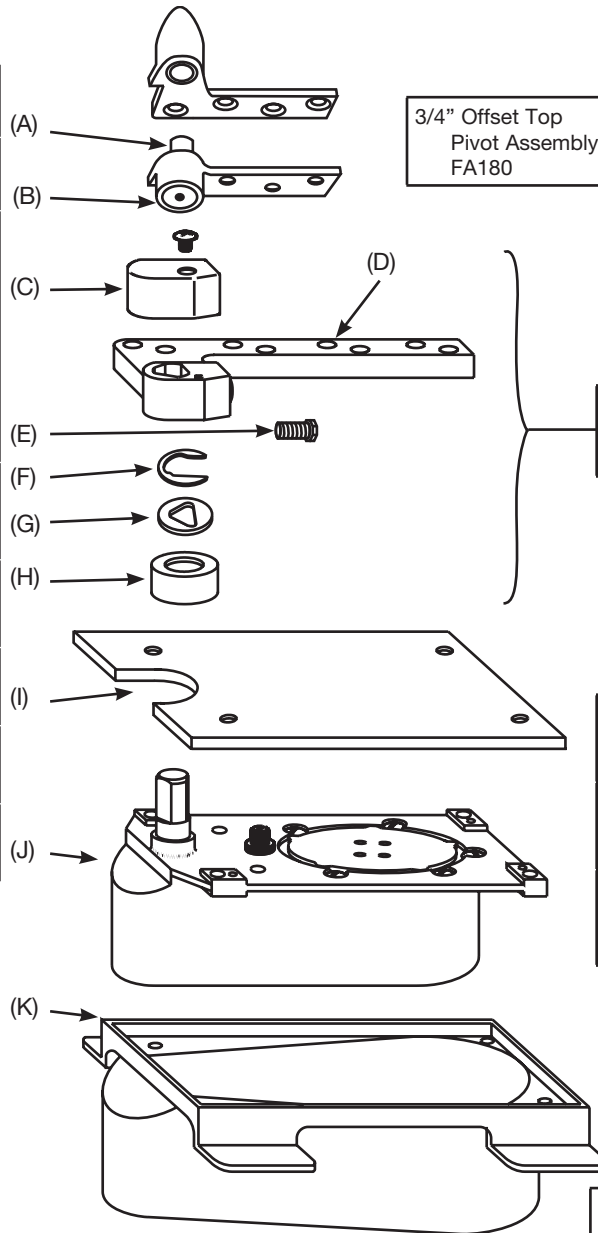
| Screw Kits | |
|---------------------------------|---------|
| Arm Screw Kit 107003 | \$14.60 |
| Closer Mtg. Screw Kit 107350 | \$7.00 |

*specify finish

Model SEC27

Right Hand Shown
3/4" Offset Only

| | |
|---|----------|
| (A) Pivot Stud 181770-ASY | \$8.00 |
| (B) Hex Cap 181778-* | \$8.40 |
| (C) Arm Cap & Screw 012142R*ATS (RH, BRS) 012142L*ATS (LH, BRS) 012144R*ATS (RH, SS) 012144L*ATS (LH, SS) | \$48.80 |
| (D) Arm x Locking Screw 18550-Asy (RH) 18650-Asy (LH) | \$183.10 |
| (E) Arm Locking Screw Only 88905-PKG (5) | \$36.60 |
| (F) Arm Shims 275065-PKG (5) | \$36.60 |
| (G) Arm Bearing Washer 275062-PKG-5 | \$19.30 |
| (H) Spindle Shoulder Collar 259000-* | \$32.20 |



| | |
|--|-----------------|
| 3/4" Offset Top Pivot Assembly FA180 | See Page 115 |
|--|-----------------|

| | |
|---|----------------|
| Bottom Arm Package 252056R* RH) 252056L* (LH) | See Page 99 |
|---|----------------|

Package includes arm, arm locking screw, arm cap & screw and shoulder collar

| | |
|---|----------------|
| (I) Floor Plate with Screws 274056 -* | See Page 99 |
|---|----------------|

| | |
|--|----------------|
| (J) Closer Body (Specify Complete Model No. x LAP) | See Page 99 |
|--|----------------|

| | |
|---|----------------|
| (K) Cement Case with Screws 253001SEC | See Page 99 |
|---|----------------|

| Screw Kits | |
|---|---------|
| FA180 Torx® Screw Kit 107014-*T Machine (2 req.) 107114-T Wood (2 req.) | \$49.20 |
| Arm Screw Kit 107048 Machine (2 each) 107144 Wood (2 each) | \$8.20 |
| Floor Plate Screw Kit 107021-* | \$19.80 |

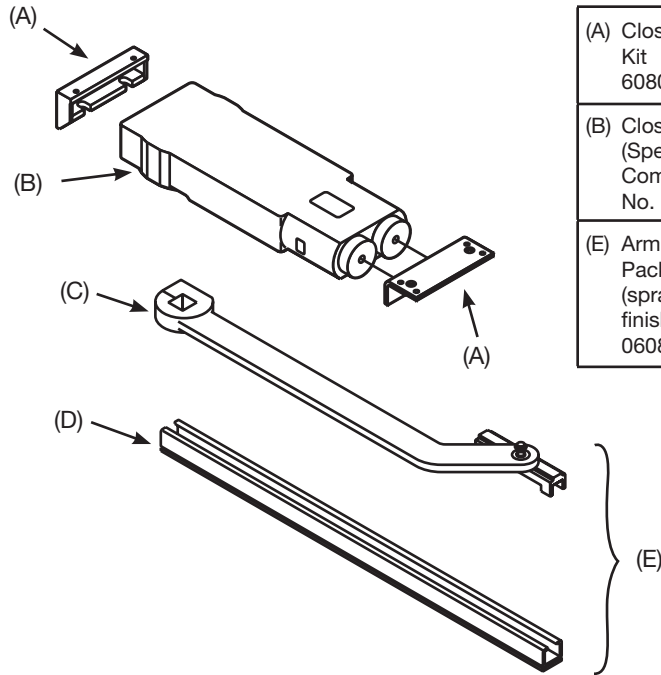
**specify finish*

1350/1351 Gate Closer

No parts available

0608/AW0608

| | |
|---|----------|
| (C) Arm Assembly (sprayed finishes only) 0608312-* | \$247.00 |
| (D) Rail 0608109 | \$70.40 |



| | |
|--|--------------|
| (A) Closer Mounting Kit 608019 | See Page 105 |
| (B) Closer Body (Specify Complete Model No. x LAP) | See Page 105 |
| (E) Arm & Rail Package (sprayed finishes only) 06082012-* | See Page 105 |

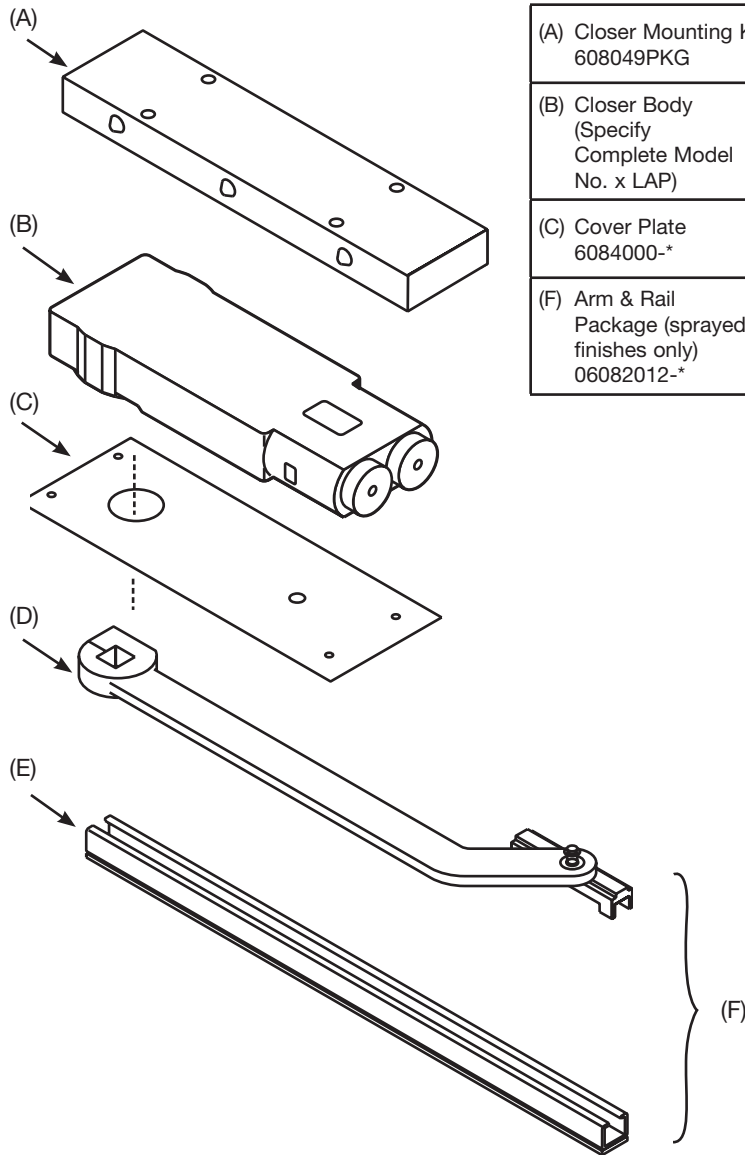
Rixson Overhead
Concealed Closers

| | |
|---------------------|---------|
| Screw Kit | |
| Screw Kit 608064 | \$30.10 |

**specify finish*

M0608/MW0608/W0608

| | |
|---|----------|
| (D) Arm Assembly (sprayed finishes only) 0608312-* | \$247.00 |
| (E) Rail 0608109 | \$70.40 |

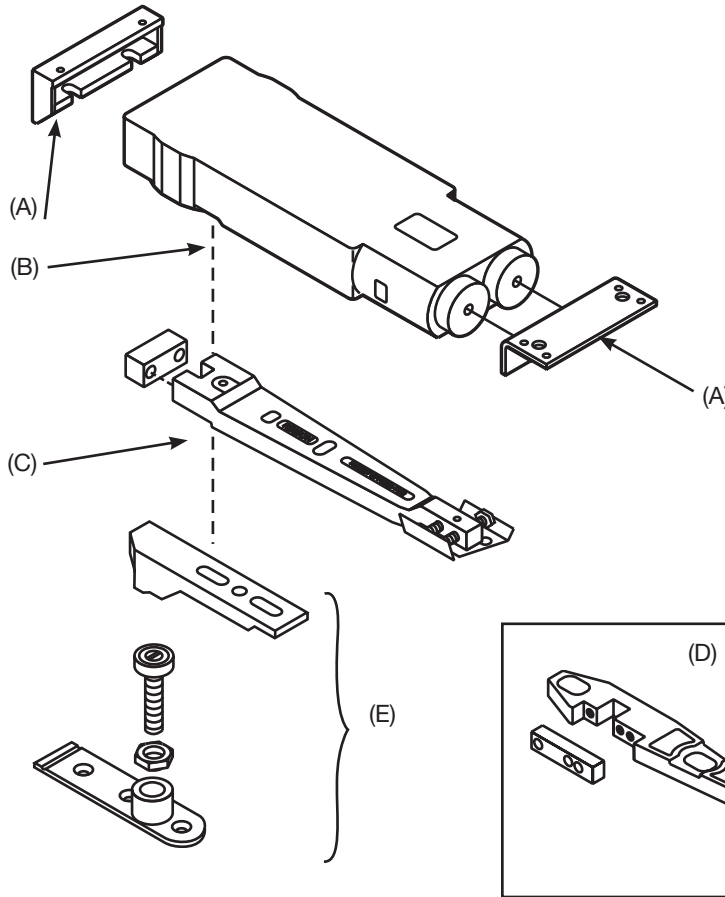


| | |
|--|--------------|
| (A) Closer Mounting Kit 608049PKG | See Page 105 |
| (B) Closer Body (Specify Complete Model No. x LAP) | See Page 105 |
| (C) Cover Plate 6084000-* | See Page 105 |
| (F) Arm & Rail Package (sprayed finishes only) 06082012-* | See Page 105 |

| Screw Kits | |
|-----------------------------------|---------|
| Cover Plate Screw Kit 107022-* | \$16.60 |
| Screw Kit 608064 | \$30.10 |

*specify finish

608EL/608SL



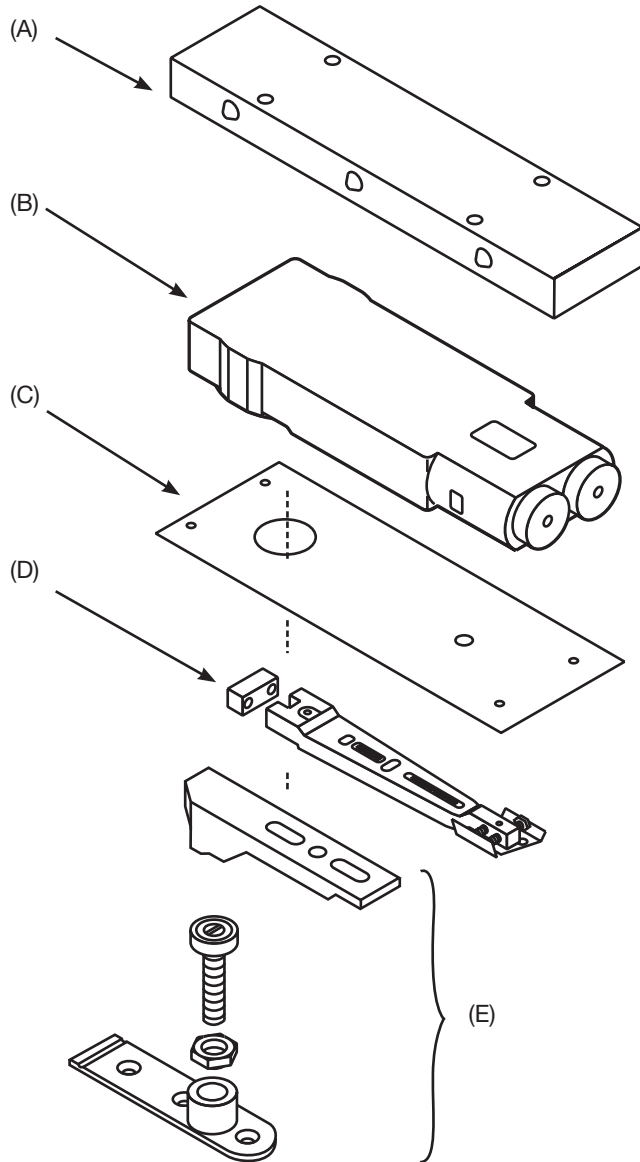
| | |
|--|--------------------|
| (A) Closer Mounting Kit 608019 | See Page 106 |
| (B) Closer Body (Specify Complete Model No. x LAP) | See Page 106 |
| (C) End Load Arm Pkg 6002020 | See Page 106 |
| (D) Side Load Arm 608005S | See Page 106 |
| (E) Bottom Pivot with Screws 608011A | See Page 106 |

Rixson Overhead
Concealed Closers

| Screw Kit | |
|--|---------|
| Arm Screw Kit (Includes arm end block) 107065 | \$36.60 |
| Bottom Pivot Screw Kit 107143 | \$8.20 |

**specify finish*

M608

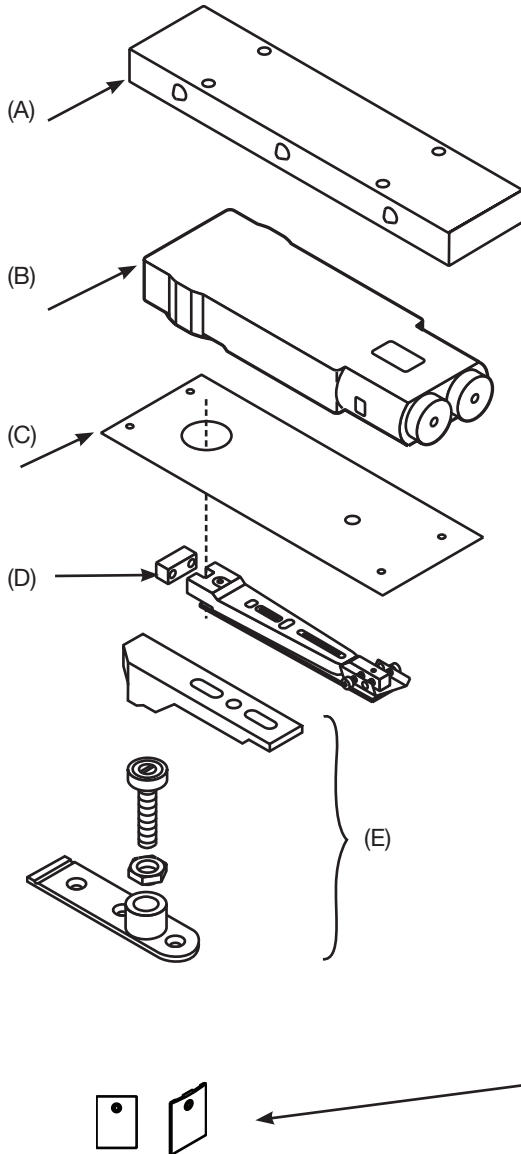


| | |
|--|-----------------|
| (A) Closer Mounting Kit 608049PKG | See Page 106 |
| (B) Closer Body (Specify Complete Model No. x LAP) | See Page 106 |
| (C) Cover Plate 6084000 - * | See Page 106 |
| (D) Arm Package 6002020 | See Page 106 |
| (E) Bottom Pivot 608011A | See Page 106 |

| Screw Kits | |
|-----------------------------------|---------|
| Arm Screw Kit 107065 | \$36.60 |
| Cover Plate Screw Kit 107022-* | \$16.60 |
| Bottom Pivot Screw Kit 107143 | \$8.20 |

*specify finish

MW608/W608



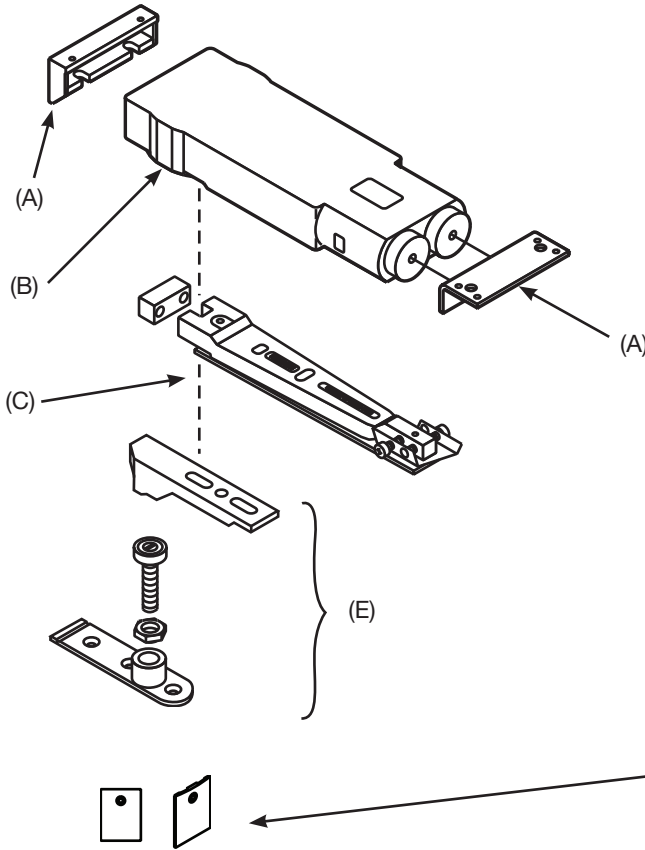
| | |
|--|-----------------|
| (A) Closer Mounting Kit 608049PKG | See Page 106 |
| (B) Closer Body (Specify Complete Model No. x LAP) | See Page 106 |
| (C) Cover Plate 6084000 - * | See Page 106 |
| (D) Arm Package 6002021 | See Page 106 |
| (E) Bottom Pivot 608011A | See Page 106 |

| | |
|---|--|
| Decorative Arm Cap (contains 2 caps) 1990906 (612 & 627 only) | Order Separately See Page 111 |
|---|--|

| Screw Kits | |
|---|---------|
| Bottom Pivot Screw Kit 107143 | \$8.20 |
| Arm Screw Kit 107065 Includes arm end block | \$36.60 |
| Cover Plate Screw Kit 107022-* | \$16.60 |

*specify finish

AW608



| | |
|--|-----------------|
| (A) Closer Mounting Kit 608019 | See Page 106 |
| (B) Closer Body (Specify Complete Model No. x LAP) | See Page 106 |
| (C) End Load Arm Pkg 6002021 | See Page 106 |
| Side Load Arm 608005S | See Page 106 |
| (E) Bottom Pivot with Screws 608011A | See Page 106 |

| | |
|--|--|
| Decorative Arm Cap (contains 2 caps) 199 | Order Separately See Page 111 |
|--|--|

| Screw Kits | |
|---|---------|
| Arm Screw Kit (Includes arm end block) 107065 | \$36.60 |
| Cover Plate Screw Kit 107022 | \$16.60 |
| Bottom Pivot Screw Kit 107143 | \$8.20 |

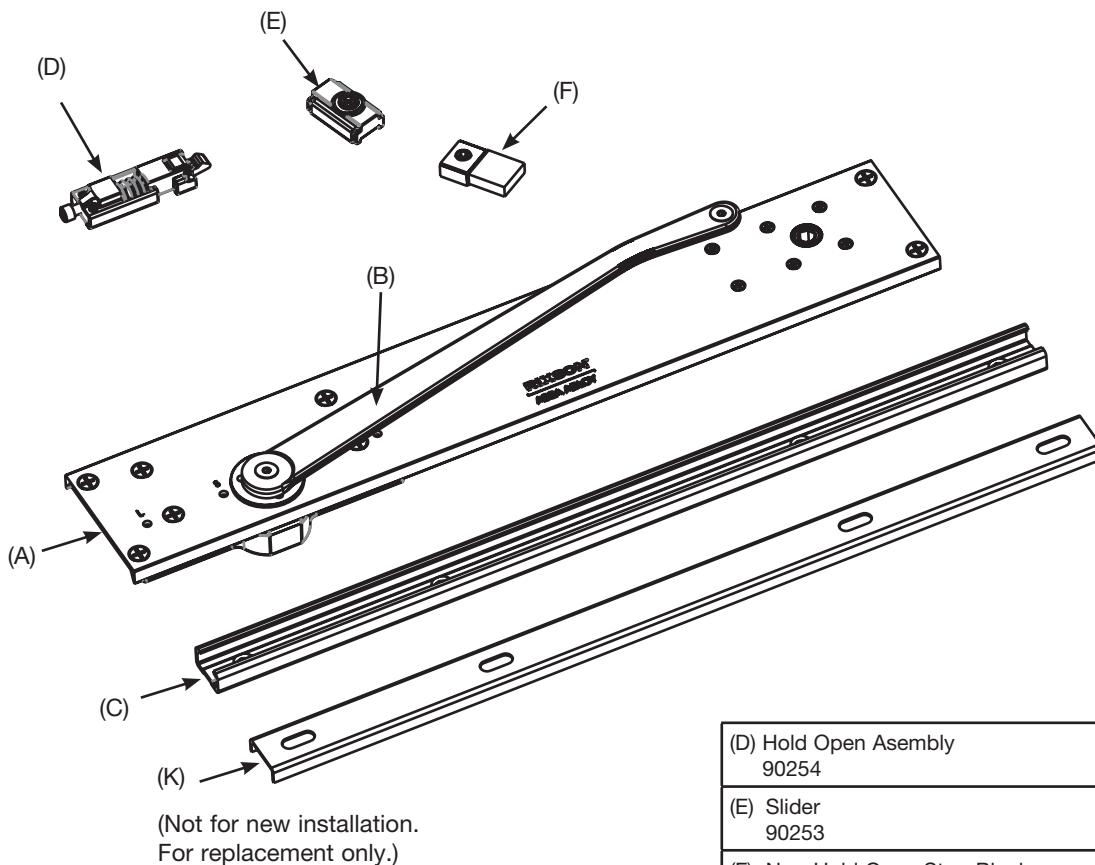
**specify finish*

91

The packages in this box may use buy program discounts.

| | |
|---|----------|
| Right Hand Arm Package 90237-***PKG (includes 90237, 90259 and 90253) | \$183.00 |
| Left Hand Arm Package 90236-***PKG (includes 90236, 90259 and 90253) | |
| Non-Hold Open Track Assembly 90255-ASY (includes 90255, 90242 and 90239) | \$122.00 |
| Hold Open Track Assembly 90254-ASY (includes 90254, 90242 and 90239) | \$147.00 |

| | |
|--|--------------|
| (A) Closer Body (Specify hand, function, finish x LAP) | See Page 108 |
| (B) Arm 90236-*** (LH) 90237-*** (RH) | \$119.00 |
| (C) Track 90239 | \$66.00 |



| | |
|---|---------|
| (D) Hold Open Assembly 90254 | \$87.00 |
| (E) Slider 90253 | \$65.00 |
| (F) Non-Hold Open Stop Block 90255 | |
| Arm Screw Kit 90259-*** | \$14.00 |
| Holder Screw Kit 90241-*** | \$19.00 |
| Track Screw Kit 90242 | \$4.00 |
| (K) Retrofit Track Spacer and Screws (Consult Factory) | \$23.00 |

Left hand shown
*specify finish

ASSA ABLOY

The global leader in
door opening solutions

USA & Canada Prices Effective June 3, 2019

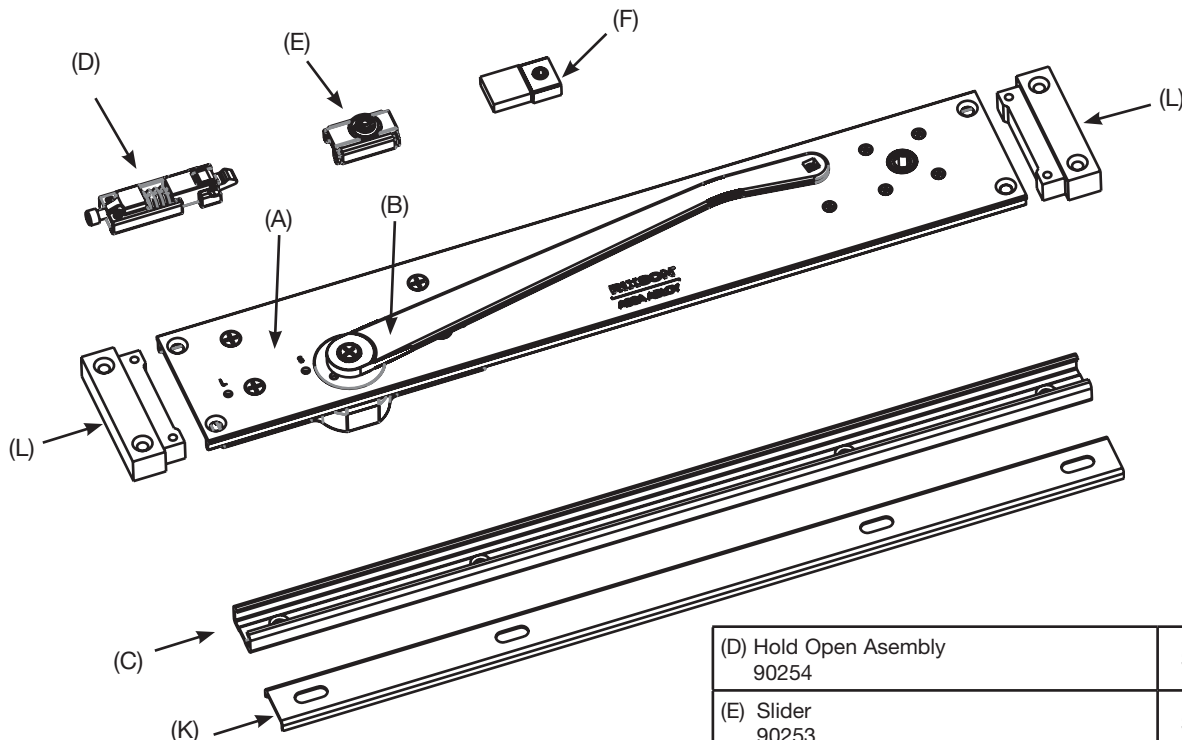
Norton and Rixson are brands associated with ASSA ABLOY Access and Egress Hardware Group, Inc., an ASSA ABLOY Group company. Copyright© 2002-2019, ASSA ABLOY Access and Egress Hardware Group, Inc. All rights reserved. Reproduction in whole or in part without the express written permission of ASSA ABLOY Access and Egress Hardware Group, Inc. is prohibited. Contact Norton: 877-974-2255 or visit www.nortondoorcontrols.com; Contact RIXSON: 800-457-5670 or visit www.rixson.com. In Canada contact us at: 800-461-3007 or visit www.assaabloydss.ca

91

The packages in this box may use buy program discounts.

| | |
|---|----------|
| Right Hand Arm Package 90237-***PKG (includes 90237, 90259 and 90253) | \$183.00 |
| Left Hand Arm Package 90236-***PKG (includes 90236, 90259 and 90253) | |
| Non-Hold Open Track Assembly 90255-ASY (includes 90255, 90242 and 90239) | \$122.00 |
| Hold Open Track Assembly 90254-ASY (includes 90254, 90242 and 90239) | \$147.00 |

| | |
|--|--------------|
| (A) Closer Body (Specify hand, function, finish x LAP) | See Page 108 |
| (B) Arm 90236-*** (LH) 90237-*** (RH) | \$119.00 |
| (C) Track 90239 | \$66.00 |



(Not for new installation.
For replacement only.)

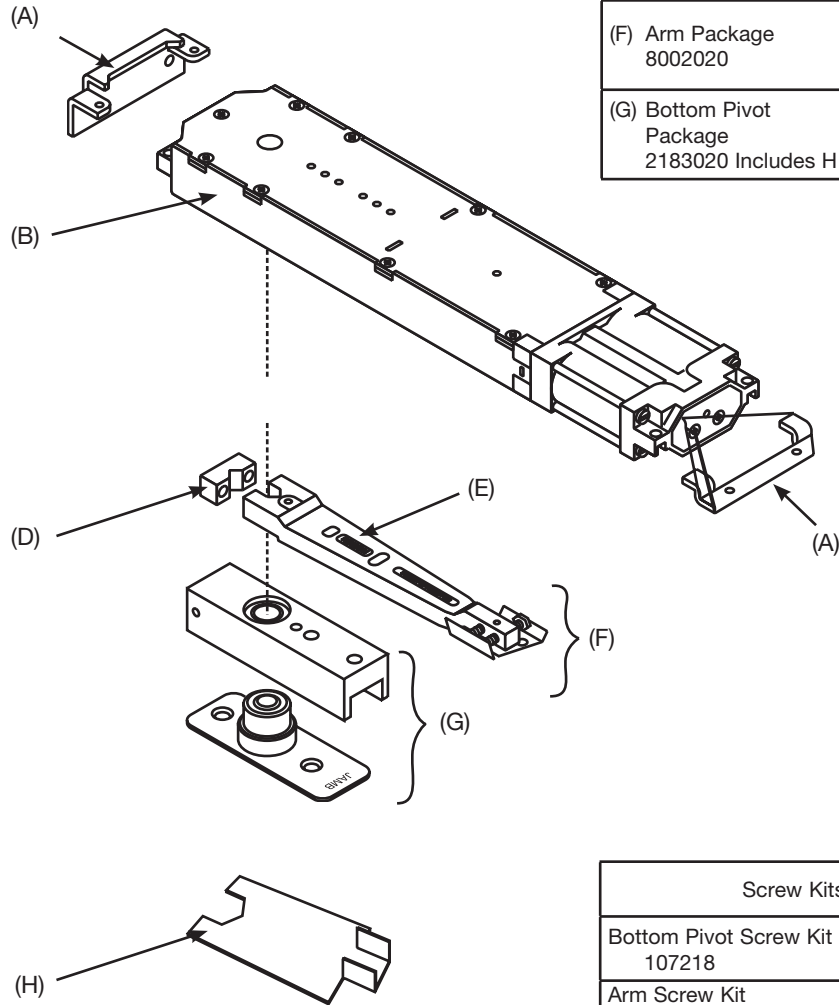
| | |
|---|----------|
| (D) Hold Open Assembly 90254 | \$87.00 |
| (E) Slider 90253 | \$65.00 |
| (F) Non-Hold Open Stop Block 90255 | \$65.00 |
| Arm Screw Kit 90259-*** | \$14.00 |
| Holder Screw Kit 90241-*** | \$19.00 |
| Track Screw Kit 90242 | \$4.00 |
| (K) Retrofit Track Spacer and Screws (Consult Factory) | \$23.00 |
| (L) Wood Frame Clip 90257-*** | \$169.00 |

Left hand shown
*specify finish

700/800

| | |
|----------------------------|----------|
| (D) Arm Block 808075-1 | \$38.30 |
| (E) Arm Assembly 808175 | \$156.00 |

| | |
|--|-----------------|
| (A) Attaching Bracket 1639000 | See Page 109 |
| (B) Closer Body (Specify Complete Model No. x LAP) | See Page 109 |
| (F) Arm Package 8002020 | See Page 109 |
| (G) Bottom Pivot Package 2183020 Includes H | See Page 109 |



| | |
|----------------------------|---------|
| (H) Pivot Wrench 218007 | \$38.30 |
|----------------------------|---------|

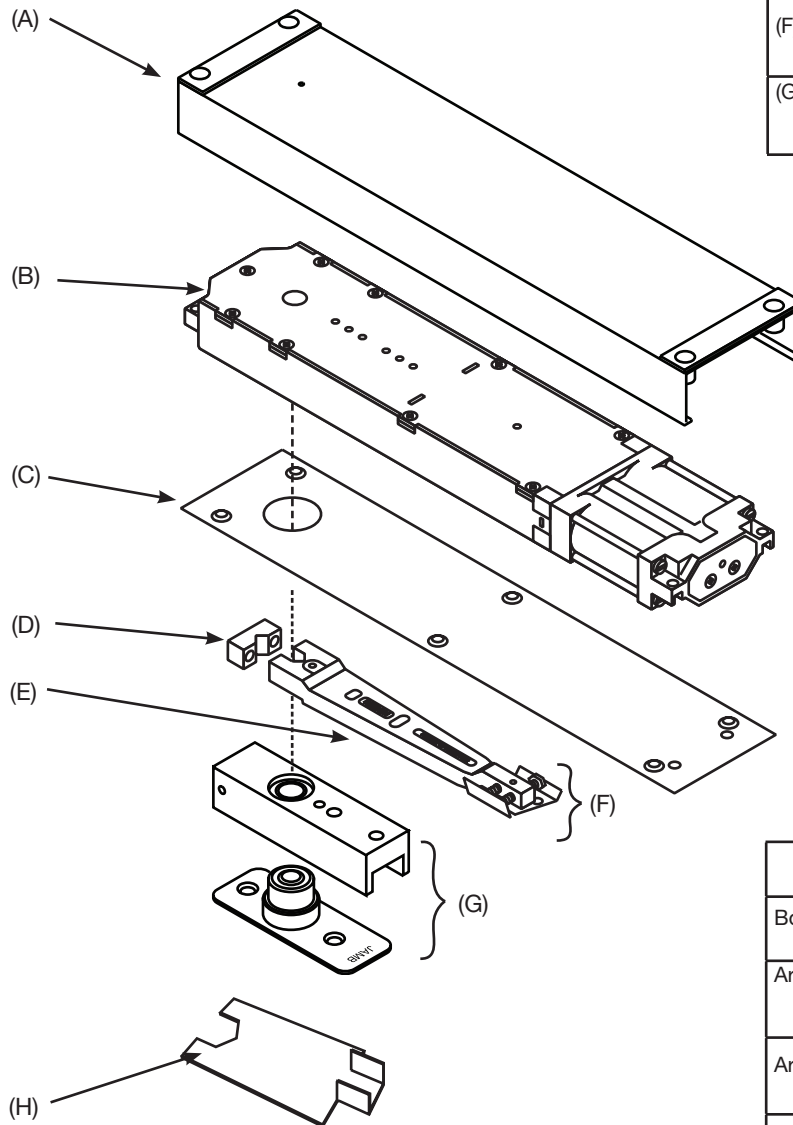
| Screw Kits | |
|---|---------|
| Bottom Pivot Screw Kit 107218 | \$8.20 |
| Arm Screw Kit 107055 Includes arm end block | \$50.30 |
| Arm Block Screw 806018-PKG | \$21.70 |
| Cover Plate Screw Kit 107006-* | \$8.20 |

*specify finish

M700/M800

| | |
|----------------------------|----------|
| (D) Arm Block 808075-1 | \$38.30 |
| (E) Arm Assembly 808175 | \$156.00 |

| | |
|---|--------------------|
| (A) Closer Mounting Channel 1929000 | See Page 109 |
| (B) Closer Body (Specify Complete Model No. x LAP) | See Page 109 |
| (C) Cover Plate 7004000R* (RH) 7004000L* (LH) 800 Series 8004000-* | See Page 109 |
| (F) Arm Package 8002020 | See Page 109 |
| (G) Bottom Pivot Package 2183020 Includes H | See Page 109 |



| | |
|----------------------------|---------|
| (H) Pivot Wrench 218007 | \$38.30 |
|----------------------------|---------|

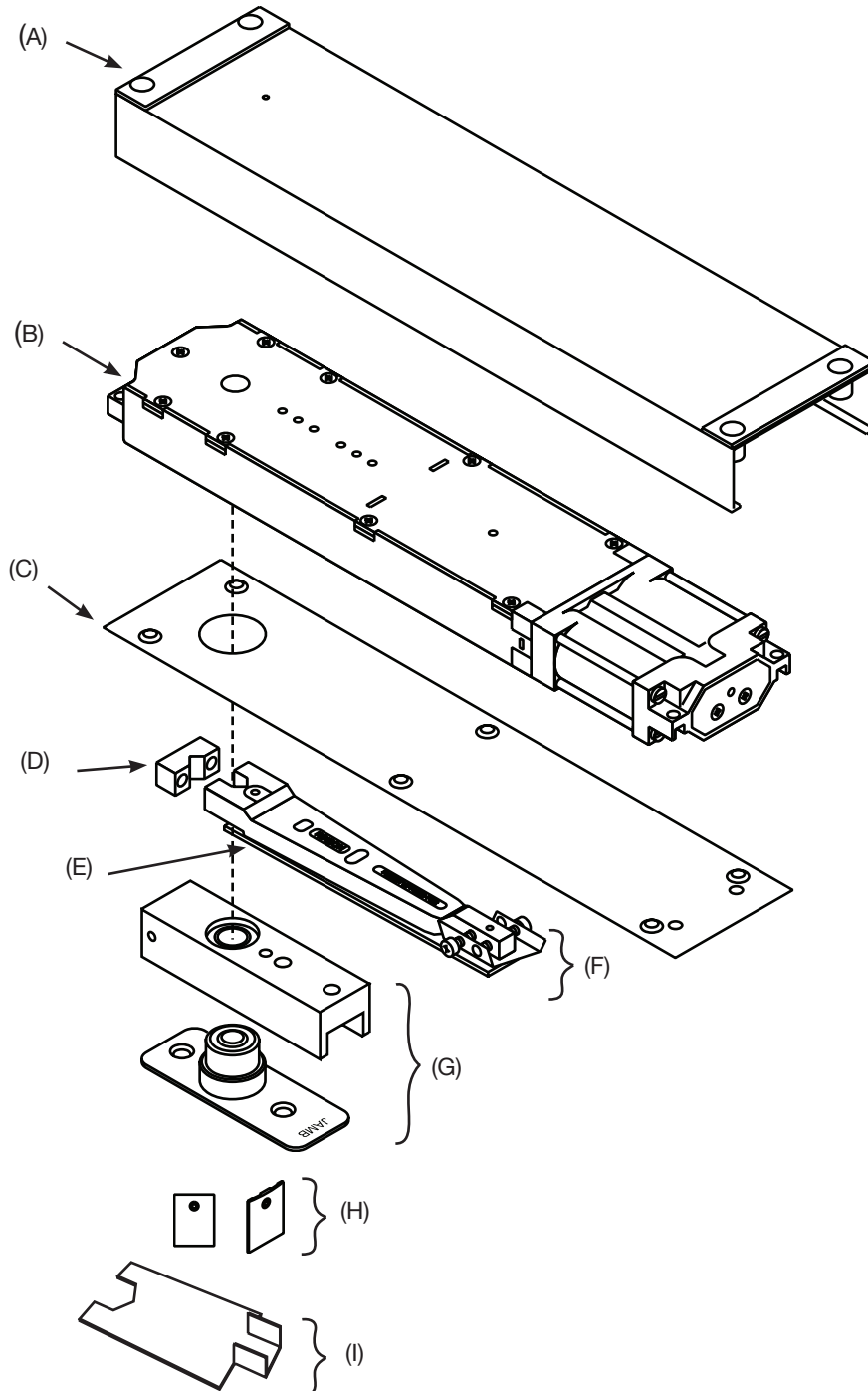
| Screw Kits | |
|---|---------|
| Bottom Pivot Screw Kit 107218 | \$8.20 |
| Arm Screw Kit 107055 Includes arm end block | \$50.30 |
| Arm Block Screw 806018-PKG | \$21.70 |
| Cover Plate Screw Kit 107006-* | \$8.20 |

*specify finish

MW700/MW800

| | |
|---------------------------|----------|
| (D) Arm Block 808075-1 | \$38.30 |
| (E) Arm Assy 808174 | \$145.00 |

| | |
|--|--|
| (A) Closer Mounting Channel 1929000 | See Page 109 |
| (B) Closer Body (Specify Complete Model No. x LAP) | See Page 109 |
| (C) Cover Plate 7004000R* (RH) 7004000L* (LH) 800 Series 8004000-* | See Page 109 |
| (F) Arm Package 8002021 | See Page 109 |
| (G) Bottom Pivot 2183020 Includes I | See Page 109 |
| (H) Decorative Arm Cap (contains 2 caps) 1990906-* (612 or 627 only) | Order Separately See Page 111 |



| | |
|----------------------------|---------|
| (I) Pivot Wrench 218007 | \$38.30 |
|----------------------------|---------|

| Screw Kits | |
|---|---------|
| Bottom Pivot Screw Kit 107218 | \$8.20 |
| Arm Screw Kit 107055 Includes arm end block | \$50.30 |
| Arm Block Screw 806018-PKG | \$21.70 |
| Cover Plate Screw Kit 107006-* | \$8.20 |

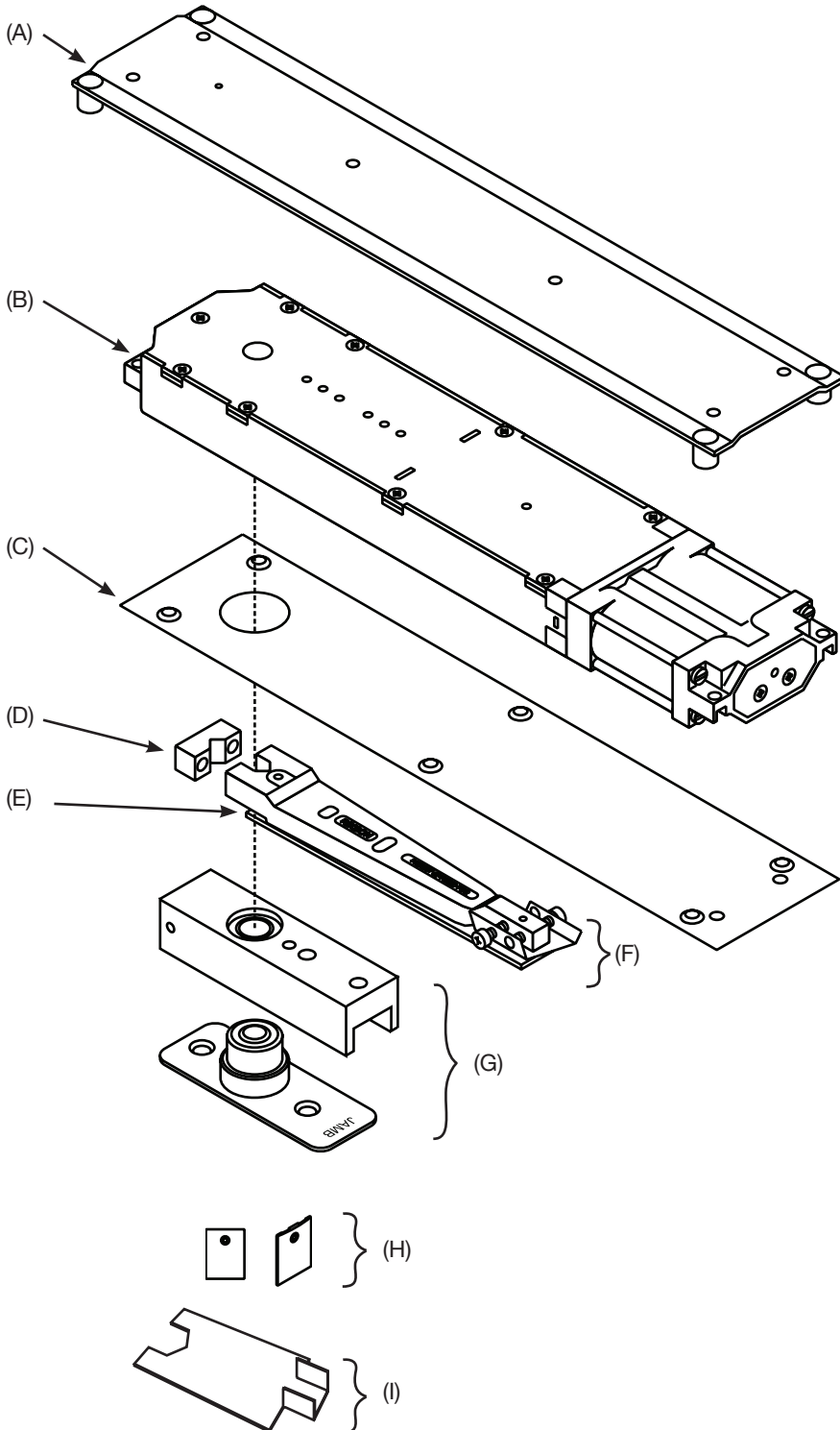
*specify finish

ASSA ABLOY

The global leader in
door opening solutions

USA & Canada Prices Effective June 3, 2019
Norton and Rixson are brands associated with ASSA ABLOY Access and Egress Hardware Group, Inc., an ASSA ABLOY Group company.
Copyright© 2002-2019, ASSA ABLOY Access and Egress Hardware Group, Inc. All rights reserved. Reproduction in whole or in part
without the express written permission of ASSA ABLOY Access and Egress Hardware Group, Inc. is prohibited.
Contact Norton: 877-974-2255 or visit www.nortondoortcontrols.com; Contact RIXSON: 800-457-5670 or visit www.rixson.com.
In Canada contact us at: 800-461-3007 or visit www.assaabloydss.ca

W700/W800



| | |
|--|--|
| (A) Closer Mounting Plate 1989000 | See Page 109 |
| (B) Closer Body (Specify Complete Model No. x LAP) | See Page 109 |
| (C) Cover Plate 7004000R* (RH) 7004000L* (LH) | See Page 109 |
| (D) Arm Block 808075-1 | \$38.30 |
| (E) Arm Assembly 808174 | \$145.00 |
| (F) Arm Package 8002021 | See Page 109 |
| (G) Bottom Pivot 2183020 (Includes I) | See Page 109 |
| (H) Decorative Arm Cap (contains 2 caps) 1990906* (612&627 only) | Order Separately See Page 111 |

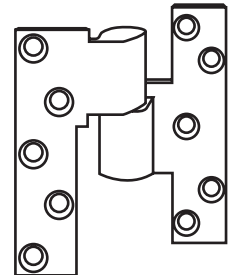
| | |
|----------------------------|---------|
| (I) Pivot Wrench 218007 | \$38.30 |
|----------------------------|---------|

| Screw Kits | |
|---|---------|
| Bottom Pivot Screw Kit 107218 | \$8.20 |
| Arm Screw Kit 107055 Includes arm end block | \$50.30 |
| Arm Block Screw 806018-PKG | \$21.70 |
| Cover Plate Screw Kit 107006-* | \$8.20 |

*specify finish

M19, M190, ML19, FA19, 219, 319, FM19, FM190

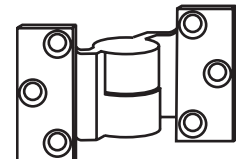
All Electrified M19 Intermediate Pivots



| Model | Description | Price |
|-----------------------------------|-------------------------------|-------------------------|
| 107015-* | Metal Screws for One Leaf | \$8.20 |
| 107115-* | Wood Screws for One Leaf | \$8.20 |
| 181778-* | Hex Cap | \$8.40 |
| 219, 319 and 419 Also Use: | | |
| 107059-* | Includes Screws and Backplate | \$184.00 |
| | Torx® Available - Suffix "T" | Add \$79.70 to each kit |

Rixson Pivots
and Pivot Sets

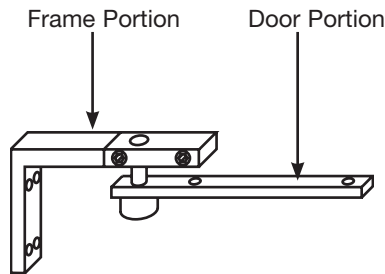
119 Intermediate Pivot



| Model | Description | Price |
|----------|------------------------------|-------------|
| 107014-* | Metal Screws for One Leaf | \$8.20 |
| 107114-* | Wood Screws for One Leaf | \$8.20 |
| | Torx® Available - Suffix "T" | Add \$79.70 |

*specify finish

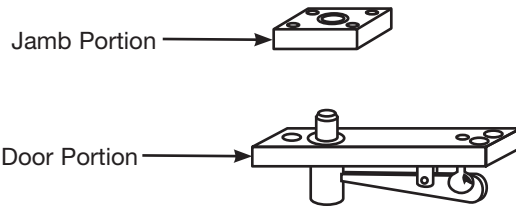
Angle Pivot-3



| Model | Description | Price |
|---------|--------------------------|----------|
| 107047* | Includes Screws and Stud | \$106.00 |
| 30243 | Door Portion | \$120.00 |
| 30814** | Frame Portion (handed) | \$385.00 |

Torx® not available.

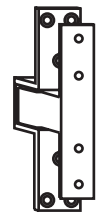
Top Pivot 340 x 102



| Model | Description | Price |
|----------|------------------------|----------|
| 10210 AS | Jamb Portion | \$206.00 |
| 3065 | Door Portion | \$120.00 |
| 107012* | Jamb Portion Screw Kit | \$8.00 |
| 107329 | Door Portion Screw Kit | \$8.20 |

Torx® not available.

F519 Pocket Pivot



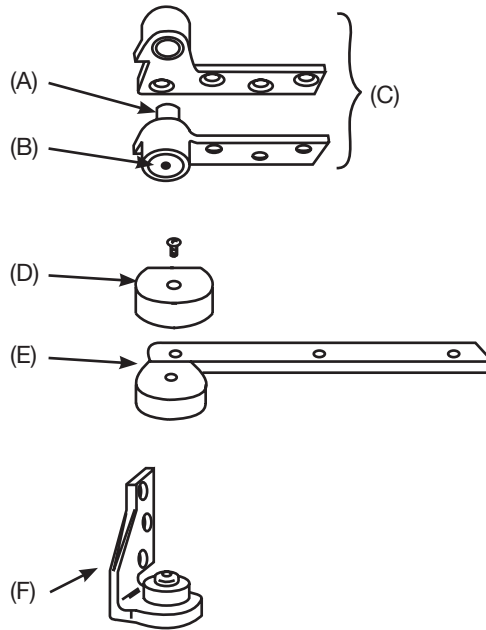
| Model | Description | Price |
|----------|-----------------|-------------|
| 619005-* | Screw Kit | \$11.90 |
| | Torx® Available | Add \$79.70 |

USA & Canada Prices Effective June 3, 2019

117-1/4 Pivot Set

Right Hand Shown
3/4" Offset Only

| | |
|--|----------|
| (A) Pivot Stud 181770-ASY | \$8.00 |
| (B) Hex Cap 181778-* | \$8.40 |
| (D) Arm Cap and Screw 12029-AS | \$48.80 |
| (E) Arm LH 11706LASYS | \$107.00 |
| (E) Arm RH 11705RASYS | \$107.00 |
| (F) Floor Portion Assy RH 17406R*AS | \$426.00 |
| (F) Floor Portion Assy LH 17406L*AS | \$426.00 |



| | |
|-------------------|-----------------|
| (C) 180 Top Pivot | See Page 115 |
|-------------------|-----------------|

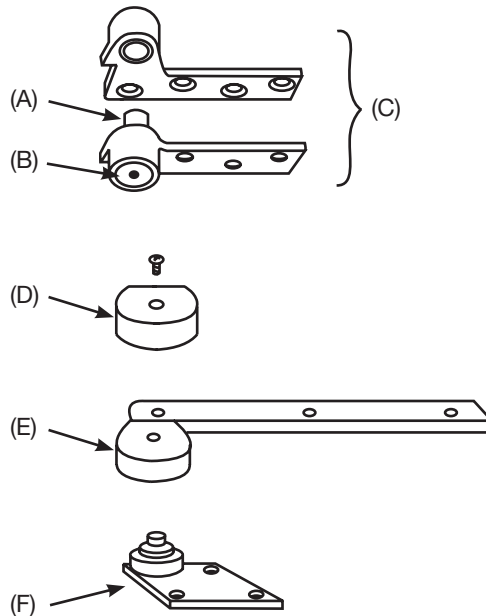
| Screw Kits | |
|--|---------|
| 180 Screw Kit 107014 - * Machine (2 req.) 107114 - * Wood (2 req.) | \$8.20 |
| 117-1/4 Screw Kit 117127 - * | \$48.50 |

*specify finish

117, F117 Pivot Set

Right Hand Shown
3/4" and 1-1/2" Offset

| | |
|---|----------|
| (A) Pivot Stud 181770-ASY | \$8.00 |
| (B) Hex Cap 181778-* | \$8.40 |
| (D) Arm Cap and Screw 12029-AS | \$48.80 |
| (E) 3/4" Offset Arm LH 11706LASYS | \$107.00 |
| (E) 3/4" Offset Arm RH 11705RASYS | \$107.00 |
| (E) 1-1/2" Offset Arm LH 11706L15* | \$204.60 |
| (E) 1-1/2" Offset Arm RH 11705R15* | \$204.60 |
| (F) 117 Floor Portion Assy 17526-AS | \$426.00 |
| (F) F117 Floor Portion Assy 17559-AS | \$384.00 |



| | |
|--|-----------------|
| (C) 180 Top Pivot (for Fire-Rated Doors, order F180) | See Page 115 |
|--|-----------------|

| Screw Kits | |
|--|---------|
| 180 Screw Kit 107014 - * Machine (2 req.) 107114 - * Wood (2 req.) | \$8.20 |
| Bottom Pivot Screw Kit 117127 - * | \$48.50 |

*specify finish

ASSA ABLOY

The global leader in
door opening solutions

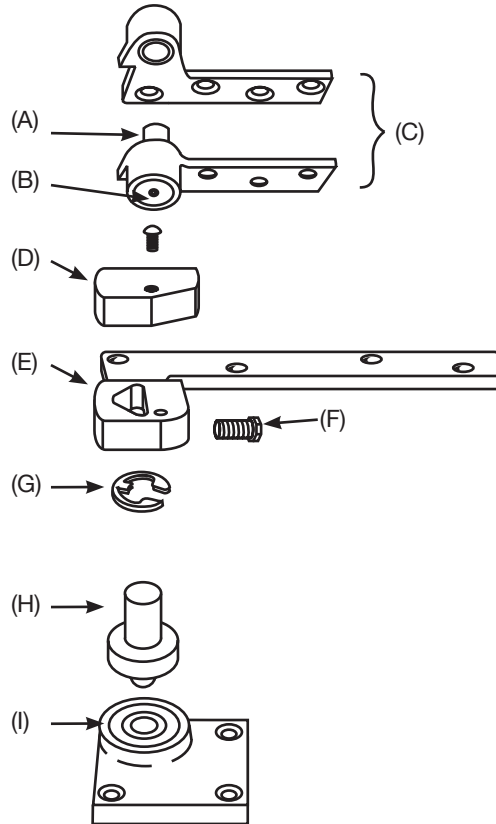
USA & Canada Prices Effective June 3, 2019

Norton and Rixson are brands associated with ASSA ABLOY Access and Egress Hardware Group, Inc., an ASSA ABLOY Group company.
Copyright© 2002-2019, ASSA ABLOY Access and Egress Hardware Group, Inc. All rights reserved. Reproduction in whole or in part
without the express written permission of ASSA ABLOY Access and Egress Hardware Group, Inc. is prohibited.
Contact Norton: 877-974-2255 or visit www.nortondoortcontrols.com; Contact RIXSON: 800-457-5670 or visit www.rixson.com.
In Canada contact us at: 800-461-3007 or visit www.assaabloydss.ca

147, F147 Pivot Set

Right Hand Shown
3/4" and 1-1/2" Offset

| | |
|---|----------|
| (A) Pivot Stud 181770-ASY | \$8.00 |
| (B) Hex Cap 181778-* | \$8.40 |
| (D) Arm Cap & Screw 012142R*AS (RH, BRS) 012142R*AS (RH, BRS) 012142L*AS (LH, BRS) 012144R*AS (RH, SS) 012144L*AS (LH, SS) | \$48.80 |
| (E) Arm x Locking Screw 3/4" Offset 275177 RH 3/4" Offset 275176 LH | \$97.00 |
| (E) Arm x Locking Screw 1-1/2" Offset 275167-* | \$151.00 |
| (F) Arm Lock Screw Pkg (5 per) 88905-PKG | \$36.60 |
| (G) Arm Shim Kit (2 per) 107071 | \$19.30 |
| (H) Spindle Stud 14714 | \$27.70 |
| (I) 147 /F147 Floor Portion x Bearing 14721-*AS | \$396.00 |



| | |
|---|-----------------|
| (C) 180 Top Pivot (for Fire-Rated Doors order F180) | See Page 115 |
|---|-----------------|

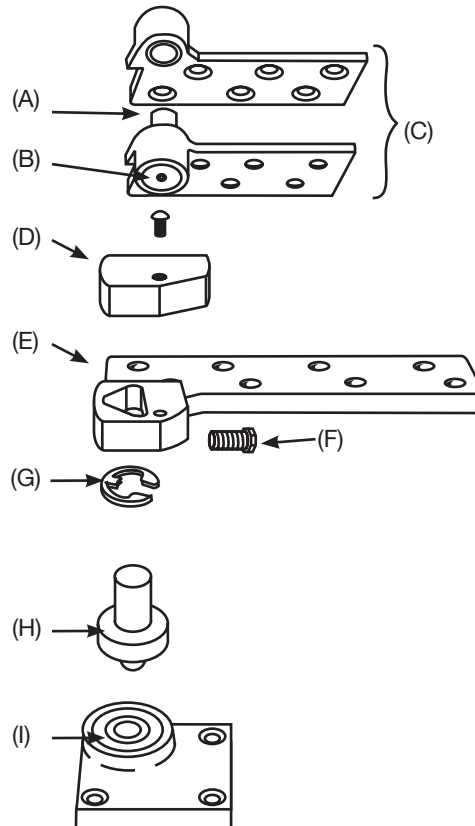
*specify finish

| Screw Kits | |
|--|--------|
| 147/F147 Bottom Pivot Screw Kit 107062-* includes 107071 | \$8.20 |
| 180/F180 Screw Kit 107014 - * Machine (2 req.) 107114 - * Wood (2 req.) | \$8.20 |
| Arm Screw Kit 107044 Machine 107144 Wood | \$8.20 |

L147, FL147 Pivot Set

Right Hand Shown
3/4" Offset Only

| | |
|---|----------|
| (A) Pivot Stud 181770-ASY | \$8.00 |
| (B) Hex Cap 181778-* | \$8.40 |
| (D) Arm Cap & Screw 012142R*AS (RH, BRS) 012142L*AS (LH, BRS) 012144R*AS (RH, SS) 012144L*AS (LH, SS) | \$48.80 |
| (E) Arm x Locking Screw 1-3/4" Door 18550-Asy RH 18650-Asy LH | \$183.10 |
| (E) Arm x Locking Screw 2" Door 18551-Asy RH 18651-Asy LH | \$404.50 |
| (E) Arm x Locking Screw 2-1/4" Door 18552-Asy RH 18652-Asy LH | \$404.50 |
| (E) Arm x Locking Screw 2-1/2" Door 18553-Asy RH 18653-Asy LH | \$404.50 |
| (E) Arm x Locking Screw 3" Door 18554-Asy RH 18654-Asy LH | \$404.50 |
| (F) Arm Lock Screw Pkg (5 per) 88905-PKG | \$36.60 |



| | |
|---|-----------------|
| (C) L180 Top Pivot (for Fire-Rated Doors order FL180) | See Page 115 |
|---|-----------------|

| | |
|--|----------|
| (G) Arm Shim Kit (2 per) 107071 | \$48.80 |
| (H) Spindle Stud 14714 | \$27.70 |
| (I) L147 Floor Portion x Bearing 14721-*AS | \$396.00 |

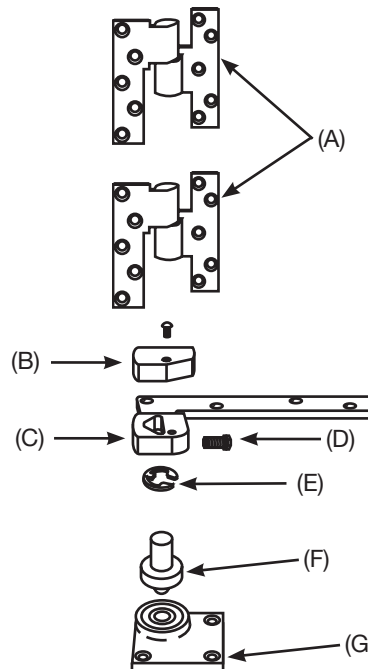
| Screw Kits | |
|--|--------|
| 180/F180 Screw Kit 107014 - * Machine (2 req.) 107114 - * Wood (2 req.) | \$8.20 |
| Arm Screw Kit 107044 Machine 107144 Wood | \$8.20 |
| L147/FL147 Bottom Pivot Screw Kit (includes "E" ring shim) 107062-* | \$8.20 |

*specify finish

547 Pivot Set

Right Hand Shown
3/4" Offset Only

| | |
|---|----------|
| (B) Arm Cap & Screw 012142R*AS (RH, BRS) 012142L*AS (LH, BRS) 012144R*AS (RH, SS) 012144L*AS (LH, SS) | \$48.80 |
| (C) Arm x Locking Screw 275177RH 275177RH | \$97.00 |
| (D) Locking Screw Pkg (5 per) 88905-Pkg | \$48.80 |
| (E) Arm Shim Kit (2 per) 107071 | \$19.30 |
| (F) Spindle Stud 14714 | \$27.70 |
| (G) 147 Floor Portion x Bearing 14721-*AS | \$396.00 |



| | |
|--|-----------------|
| (A) M190 Intermediate Pivot (For Fire-Rated Doors order FM190) | See Page 115 |
| 147 Bottom Pivot Screw Kit (includes 107071) 107062-* | \$8.20 |

*specify finish

ASSA ABLOY

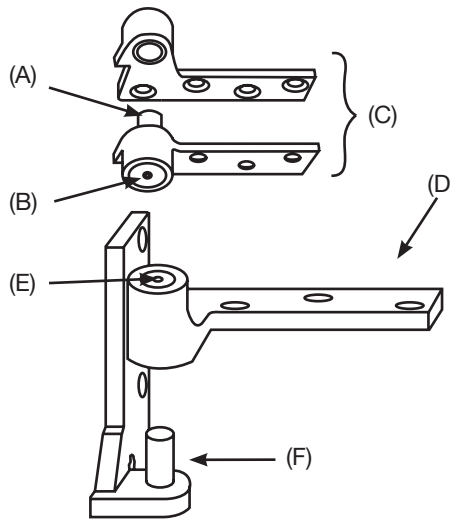
The global leader in
door opening solutions

Norton and Rixson are brands associated with ASSA ABLOY Access and Egress Hardware Group, Inc., an ASSA ABLOY Group company.
Copyright© 2002-2019, ASSA ABLOY Access and Egress Hardware Group, Inc. All rights reserved. Reproduction in whole or in part
without the express written permission of ASSA ABLOY Access and Egress Hardware Group, Inc. is prohibited.
Contact Norton: 877-974-2255 or visit www.nortondoorcontrols.com; Contact RIXSON: 800-457-5670 or visit www.rixson.com.
In Canada contact us at: 800-461-3007 or visit www.assaabloydss.ca

195 Pivot Set

Right Hand Shown
3/4" Offset Only

| | |
|-------------------------------------|----------|
| (A) Pivot Stud 181770-ASY | \$8.00 |
| (B) Hex Cap 181778-* | \$8.40 |
| (D) Door Portion Asy RH 19503-AS | \$299.00 |
| (D) Door Portion Asy LH 19504-AS | \$299.00 |
| (E) Cap 19511-* | \$13.30 |
| (F) Jamb Portion Asy RH 19501-AS | \$384.00 |
| (F) Jamb Portion Asy LH 19502-AS | \$384.00 |



| | |
|-------------------|-----------------|
| (C) 180 Top Pivot | See Page 115 |
|-------------------|-----------------|

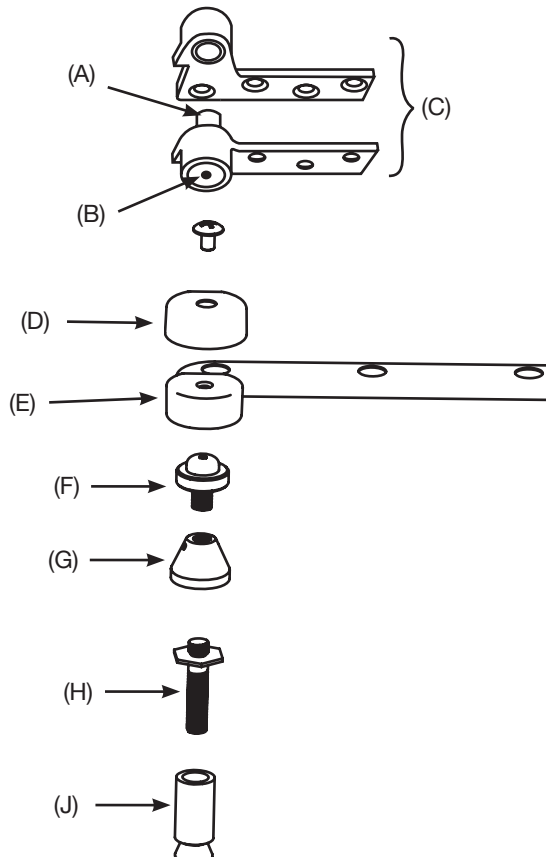
| Screw Kits | |
|--|--------|
| 180 Screw Kit 107014 - * Machine (2 req.) 107114 - * Wood (2 req.) | \$8.20 |
| 195 Screw Kit 107014 - * Machine (2 req.) 107114 - * Wood (2 req.) | \$8.20 |

*specify finish

173 Pivot Set

Right Hand Shown
3/4" Offset Only

| | |
|-----------------------------------|----------|
| (A) Pivot Stud 181770-ASY | \$8.00 |
| (B) Hex Cap 181778-* | \$8.40 |
| (D) Arm Cap and Screw 12029-AS | \$48.80 |
| (E) Arm LH 11706L*AS | \$107.00 |
| (E) Arm RH 11705R*AS | |
| (F) Spindle Stud 173003 | \$25.80 |
| (G) Spindle collar 173001 | \$59.00 |
| (H) Mounting Bolt 173002 | \$30.50 |
| (J) Floor Anchor 173010 | \$19.80 |



| | |
|-------------------|-----------------|
| (C) 180 Top Pivot | See Page 115 |
|-------------------|-----------------|

| Screw Kits | |
|--|--------|
| 180 Screw Kit 107014 - * Machine (2 req.) 107114 - * Wood (2 req.) | \$8.20 |
| Bottom Arm Screw Kit 107044- Machine 107144- Wood | \$8.20 |

*specify finish

1-1/2" Offset Arm

| | |
|---------------------------------------|----------|
| (E) 1-1/2" Offset Arm LH 11706L15* | \$107.00 |
| (E) 1-1/2" Offset Arm RH 11705R15* | |

ASSA ABLOY

The global leader in
door opening solutions

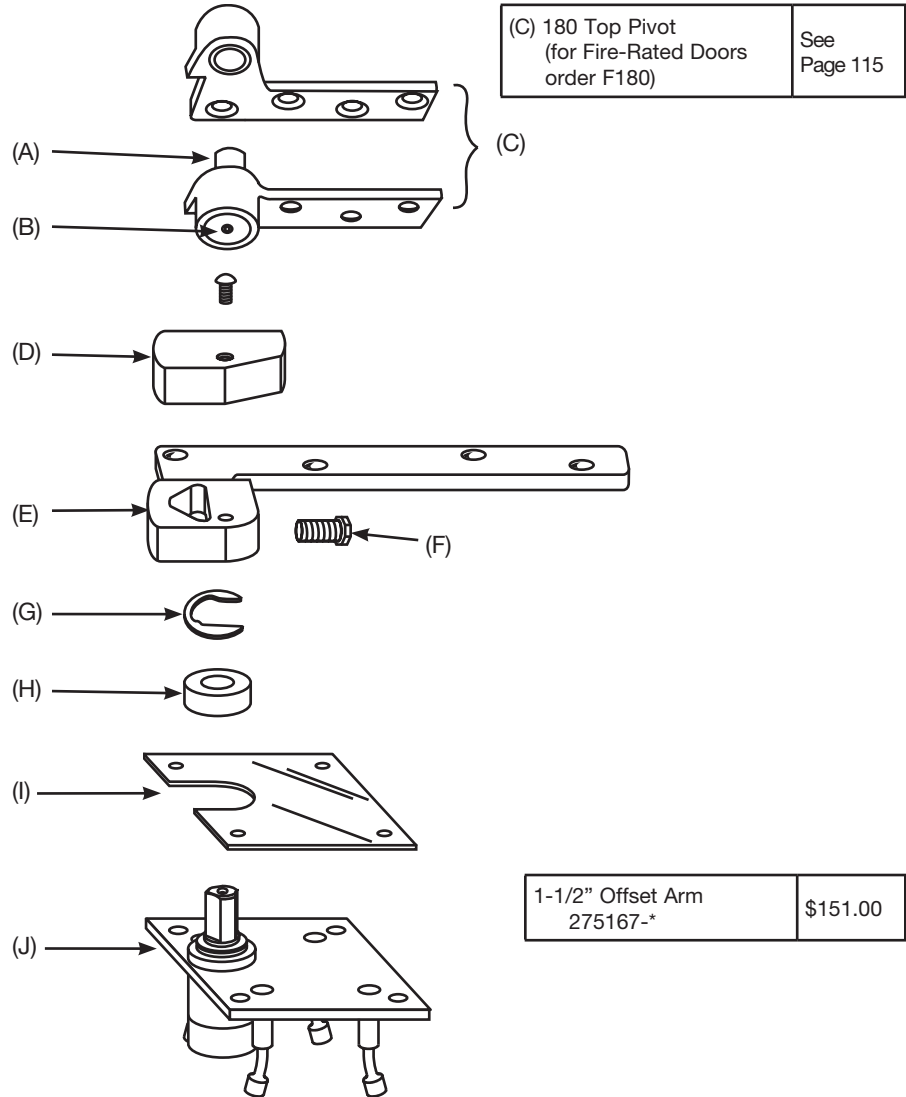
USA & Canada Prices Effective June 3, 2019

Norton and Rixson are brands associated with ASSA ABLOY Access and Egress Hardware Group, Inc., an ASSA ABLOY Group company. Copyright© 2002-2019, ASSA ABLOY Access and Egress Hardware Group, Inc. All rights reserved. Reproduction in whole or in part without the express written permission of ASSA ABLOY Access and Egress Hardware Group, Inc. is prohibited. Contact Norton: 877-974-2255 or visit www.nortondoortcontrols.com; Contact RIXSON: 800-457-5670 or visit www.rixson.com. In Canada contact us at: 800-461-3007 or visit www.assaabloydss.ca

117-1/2, F117-1/2 Pivot Set

Right Hand Shown
3/4" and 1-1/2" Offset

| | |
|---|----------|
| (A) Pivot Stud 181770-ASY | \$8.00 |
| (B) Hex Cap 181778-* | \$8.40 |
| (D) Arm Cap & Screw 012142R*AS (RH, BRS) 012142L*AS (LH, BRS) 012144R*AS (RH, SS) 012144L*AS (LH, SS) | \$48.80 |
| (E) Arm x Locking Screw 3/4" Offset 275177 RH 3/4" Offset 275176 LH | \$97.00 |
| (F) Arm Lock Screw Pkg (5 per) 88905-PKG | \$36.60 |
| (G) Arm Shim Kit (5 per) 275065-PKG | \$19.30 |
| (H) Spindle Shoulder Collar 16301A* | \$32.20 |
| (I) Floor Plate x Screws 1174050-* | \$105.00 |
| (J) 117-1/2 & F117-1/2 Floor Portion Assembly X01176350 | \$656.00 |



| Screw Kits | |
|--|--------|
| 180/F180 Screw Kit 107014 - * Machine (2 req.) 107114 - * Wood (2 req.) | \$8.20 |
| Floor Plate Screw Kit 107004-* | \$8.20 |
| Arm Screw Kit 107044 - * Machine 107144 - * Wood | \$8.20 |

*specify finish

ASSA ABLOY

The global leader in
door opening solutions

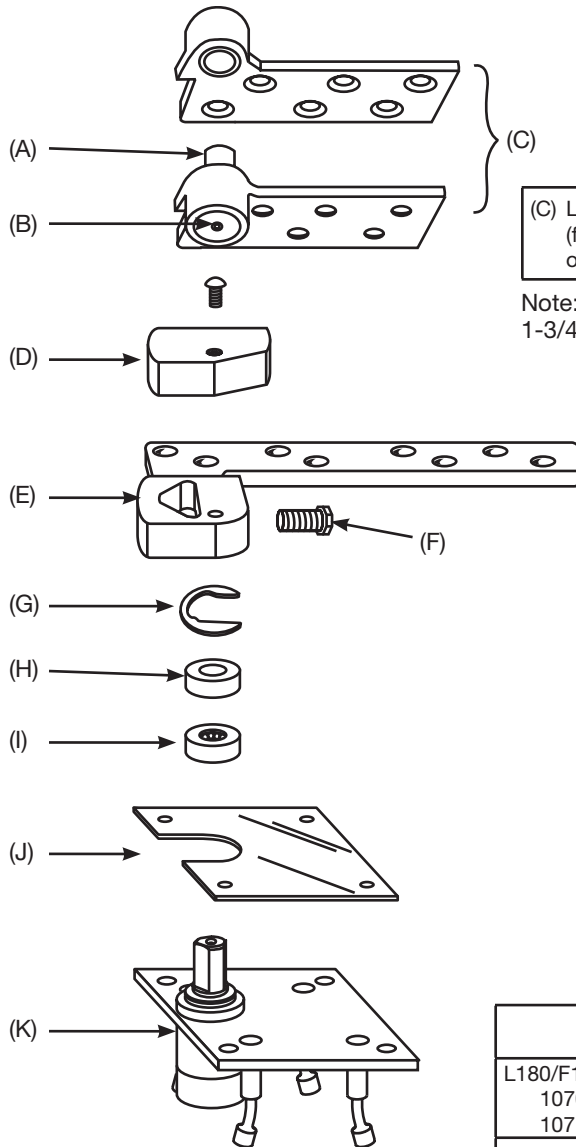
USA & Canada Prices Effective June 3, 2019

Norton and Rixson are brands associated with ASSA ABLOY Access and Egress Hardware Group, Inc., an ASSA ABLOY Group company. Copyright© 2002-2019, ASSA ABLOY Access and Egress Hardware Group, Inc. All rights reserved. Reproduction in whole or in part without the express written permission of ASSA ABLOY Access and Egress Hardware Group, Inc. is prohibited. Contact Norton: 877-974-2255 or visit www.nortondoорcontrols.com; Contact RIXSON: 800-457-5670 or visit www.rixson.com. In Canada contact us at: 800-461-3007 or visit www.assaabloydss.ca

L117, FL117 Pivot Set

Right Hand Shown
3/4" Offset Only

| | |
|---|----------|
| (A) Pivot Stud 181770-ASY | \$8.00 |
| (B) Hex Cap 181778-* | \$8.40 |
| (D) Arm Cap & Screw 012142R*AS (RH, BRS) 012142L*AS (LH, BRS) 012144R*AS (RH, SS) 012144L*AS (LH, SS) | \$48.80 |
| (E) Arm x Locking Screw 1-3/4" Door 18550-ASY RH 18650-ASY LH | \$183.10 |
| (E) Arm x Locking Screw 2" Door 18551-ASY RH 18651-ASY LH | \$404.50 |
| (E) Arm x Locking Screw 2-1/4" Door 18552-ASY RH 18652-ASY LH | \$404.50 |
| (E) Arm x Locking Screw 2-1/2" Door 18553-ASY RH 18653-ASY LH | \$404.50 |
| (E) Arm x Locking Screw 3" Door 18554-ASY RH 18654-ASY LH | \$404.50 |
| (F) Arm Lock Screw Pkg (5 per) 88905-PKG | \$36.60 |
| (G) Arm Shim Kit (5 per) 275065-PKG | \$19.30 |
| (H) Spindle Shoulder Collar 259500-* | \$93.00 |
| (I) Heavy-Duty Thrust-Bearing 41204-PKG | \$104.00 |
| (J) Floor Plate x Screws 1174050-* | \$105.00 |
| (K) Floor Portion Assembly X01176351 Includes 41204-PKG | \$656.00 |



| | |
|---|-----------------|
| (C) L180 Top Pivot (for Fire-Rated Doors order FL180) | See Page 115 |
|---|-----------------|

Note: FL is available for
1-3/4" doors only

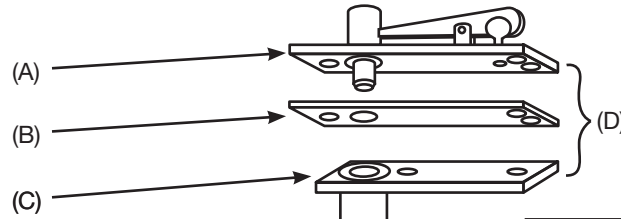
| Screw Kits | |
|---|--------|
| L180/F180 Screw Kit 107016 - * Machine (2 req.) 107116 - * Wood (2 req.) | \$9.20 |
| Arm Screw Kit 107048 - * Machine (2 req.) 107114 - * Wood (2 req.) | \$8.20 |
| Floor Plate Screw Kit 107004 - * Machine (2 req.) | \$8.20 |

*specify finish

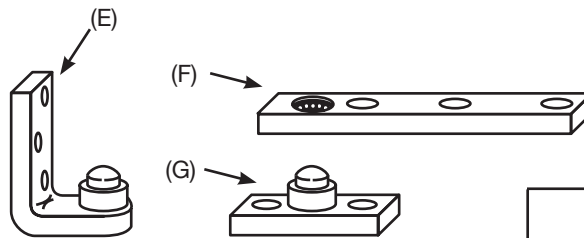
Special Note: FL117 is available for 1-3/4" doors only

127-3/4 & 128-3/4 Pivot Sets

| | |
|--|----------|
| (A) Top Pivot Jamb Portion 640-ASY | \$128.00 |
| (B) Top Pivot Plate x Screws 12724-*PK(SS) 12720-*PK (BRS) | \$48.80 |
| (C) Top Pivot Door Portion 12716 | \$123.00 |
| (E) Jamb Portion & Stud Assembly 127-3/4 Only 12711-* | \$311.00 |
| (F) Arm & Bearing Assembly 12714 Door Portion | \$89.00 |
| (G) Floor Pivot & Stud Assembly 128-3/4 Only 71521-*AS | \$180.00 |



| | |
|-------------------|-----------------|
| (D) 320 Top Pivot | See Page 119 |
|-------------------|-----------------|

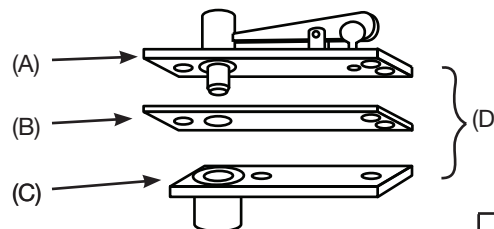


| Screw Kits | |
|--|---------|
| 320 Screw Kit 107340 Machine & Wood | \$8.20 |
| 127-3/4 & 128-3/4 Screw Kit 117127-* | \$48.50 |

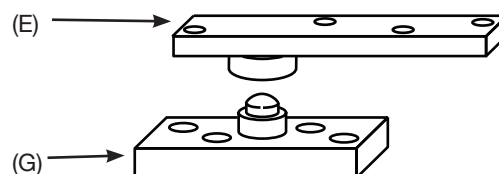
*specify finish

370 Pivot Set

| | |
|---|----------|
| (A) Top Pivot Jamb Portion 3065 | \$120.00 |
| (B) Finish Plate x Screws 012202-*PK (BRS) 012204-*PK (SS) | \$48.80 |
| (C) Top Pivot Door Portion 30243 | \$120.00 |
| (E) Arm 22131 | \$135.00 |
| (G) Floor Portion and stud 22121-* | \$226.10 |



| | |
|-------------------|-----------------|
| (D) 340 Top Pivot | See Page 119 |
|-------------------|-----------------|

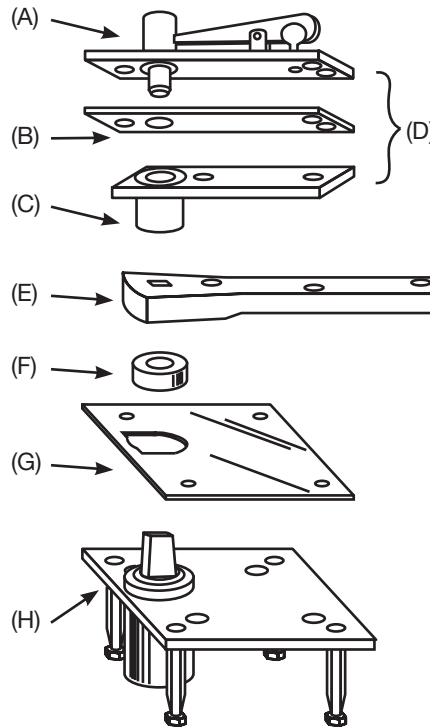


| Screw Kits | |
|--|--------|
| 340 Screw Kit 107329 Machine & Wood | \$8.20 |
| 370 Screw Kit 107370-* | \$8.20 |

*specify finish

117-3/4 Pivot Set

| | |
|---|----------|
| (A) Top Pivot Jamb Portion 065 | \$120.00 |
| (B) Top Pivot Finish Plate 012202-*PK(BRS) 012204-*PK(SS) | \$48.80 |
| (C) Top Pivot Door Portion 30243 | \$120.00 |
| (E) Arm 185.75 | \$217.00 |
| (F) Spindle Shoulder 16301A | \$32.20 |
| (G) Floor Plate x Screws 1174020-* | \$106.00 |
| (H) Floor Portion Assembly X01176320 | \$649.00 |



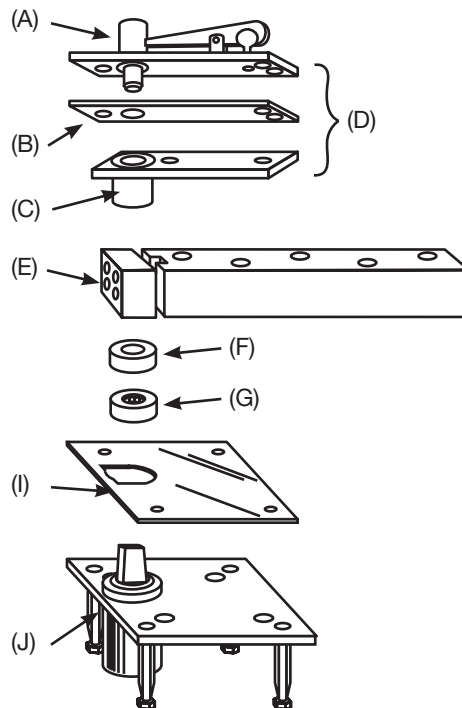
| | |
|-------------------|--------------|
| (D) Top Pivot 340 | See Page 119 |
|-------------------|--------------|

| Screw Kits | |
|---------------------------------------|--------|
| 340 Screw Kit 107329 Machine & Wood | \$8.20 |
| Arm Screw Kit 107064-* Machine & Wood | \$8.20 |
| Floor Plate Screw Kit 107004-* | \$8.20 |

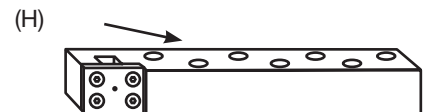
*specify finish

H117-3/4 Pivot Set

| | |
|---|------------|
| (A) Top Pivot Jamb Portion 308548 | \$417.00 |
| (B) Top Pivot Finish Plate 012202-*PK(BRS) 012204-*PK(SS) | \$48.80 |
| (C) Top Pivot Door Portion 30141 | \$417.00 |
| (E) Standard End Load Arm Package 262022 | \$672.00 |
| (F) Spindle Shoulder Collar 259500-* | \$93.00 |
| (G) Heavy-Duty Thrust Bearing 41204-PKG | \$104.00 |
| (I) Floor Plate x Screws 1174020-* | \$106.00 |
| (J) Floor Portion Assembly X01176322 Includes 41204-PKG | \$1,124.00 |



| | |
|--------------------|--------------|
| (D) Top Pivot H340 | See Page 119 |
|--------------------|--------------|



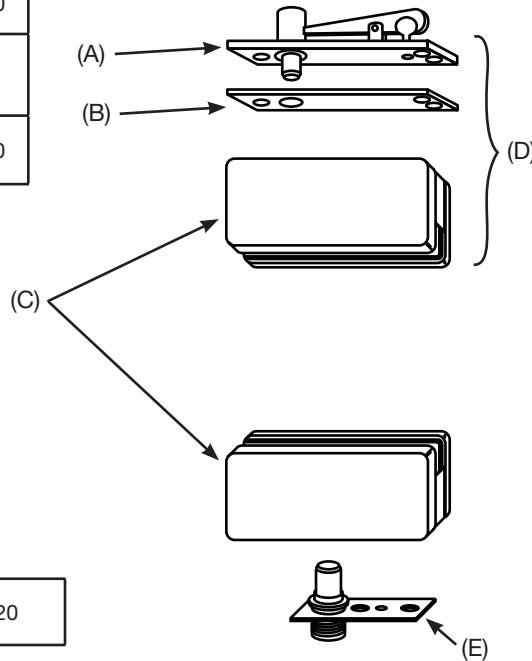
| | |
|--------------------------------------|----------|
| (H) 587 Side Load Arm Package 262587 | \$672.00 |
|--------------------------------------|----------|

| Screw Kits | |
|--|---------|
| H340 Screw Kit 107329 Machine & Wood | \$8.20 |
| Arm Screw Kit 107045 - Machine 107145 - Wood | \$8.20 |
| 587 Arm Screw Kit 107077 - Machine 107177 - Wood | \$13.30 |
| Arm Shim Screw Kit 107060 | \$11.20 |
| Floor Plate Screw Kit 107004-* | \$8.20 |

*specify finish

178 Pivot Sets

| | |
|---|----------|
| (A) Top Jamb Portion 42801 | \$120.00 |
| (B) Finish Plate 012202-*PK (BRS) 012204-*PK (SS) | \$48.80 |
| (C) Patch Fitting 7495-* | \$170.00 |

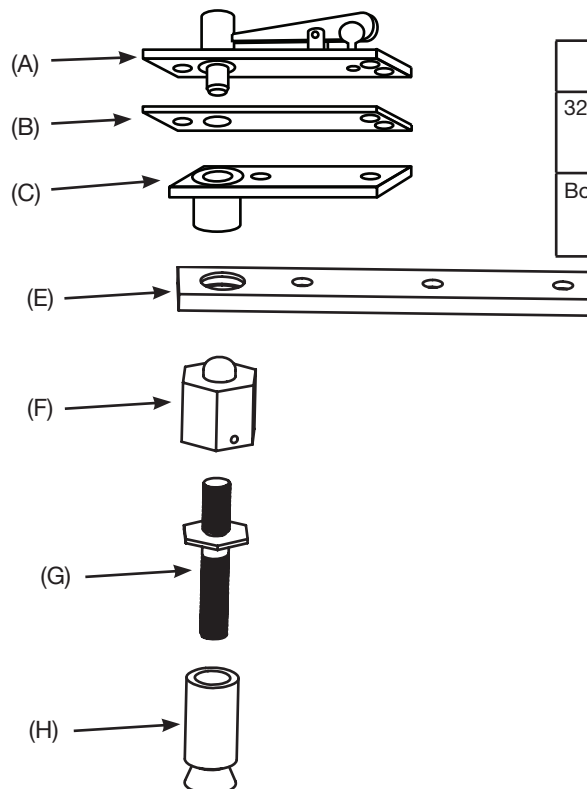


| | |
|--|----------------|
| (D) Top Patch 7494-* PK | See Page 96 |
| (E) Bottom Pivot Floor Portion 74104 | See Page 96 |

| | |
|------------------------------------|--------|
| Top Pivot Jamb Screw Kit 107039 | \$8.20 |
|------------------------------------|--------|

176 Pivot Sets

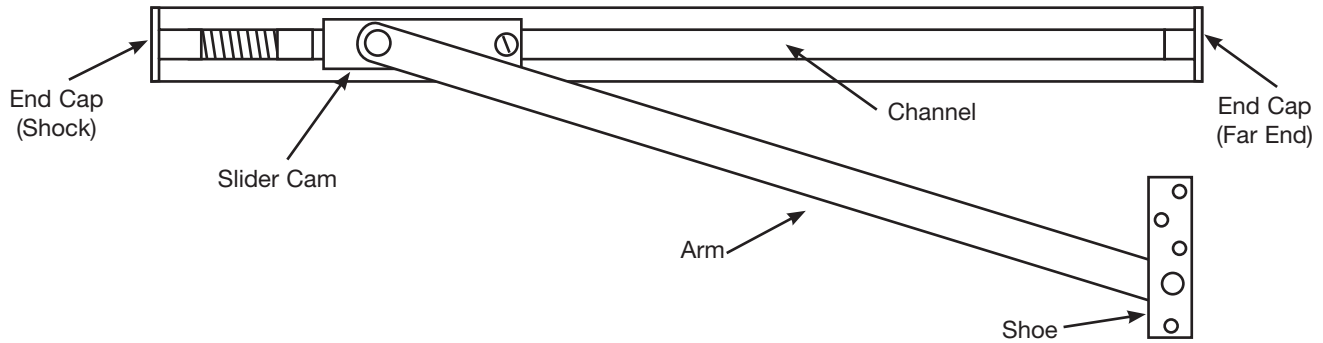
| | |
|--|----------|
| (A) Top Pivot Jamb Portion 640-ASY | \$128.00 |
| (B) Top Pivot Plate x Screws 12724-*PK(SS) 12720-*PK (BRG) | \$48.80 |
| (C) Top Pivot Door Portion 12716 | \$123.00 |
| (E) Bottom Arm 12704 | \$83.00 |
| (F) Sleeve 176001 | \$53.90 |
| (G) Mounting Bolt 176002 | \$30.90 |
| (H) Floor Anchor 173010 | \$19.80 |



| Screw Kits | |
|--|--------|
| 320 Screw Kit 107340 Machine and Wood | \$8.20 |
| Bottom Arm Screw Kit 173176 Machine and Wood | \$8.20 |

**specify finish*

Checkmate®



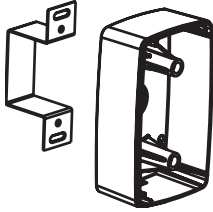
| End Caps #1, 2, 9 & 10 only | | | |
|-----------------------------|------------------|---------------|---------|
| #1 & #9 | Shock End Block | 6003 | \$18.10 |
| | Far End Block | 6004 | \$18.10 |
| #2 & #5 | Far End Block | 5059 (2 req.) | \$3.00 |
| #10 | Far End Block | 5011 (2 req.) | \$2.40 |
| Screw Kits | | | |
| #1 | Friction or Stop | 6487-* | \$34.10 |
| | Hold Open | 6998N* | \$46.90 |
| #2 | Friction or Stop | 5999-* | \$66.00 |
| #6 | Stop | 6487-* | \$34.10 |
| #7 | Friction or Stop | 3880-XXXXA | \$46.20 |
| #8 | Friction or Stop | 5897-* | \$43.40 |
| | Hold Open | 6997N* | \$35.90 |
| #9 | Friction or Stop | 6468-* | \$33.10 |
| | Hold Open | 6997N* | \$35.90 |
| #10 & #55 | Friction or Stop | 5998-* | \$39.10 |

*specify finish

| Arm Assemblies (includes arm, shoe & slider cam) | |
|--|-----------------|
| Specify Model & Finish: <i>example: 1- *346R</i> | |
| 2 - *346R | Consult Factory |

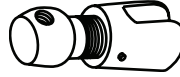
| Adapter Kits | | | |
|--------------|----------------------------|----------|---------|
| #2 & #10 | Hold Open Friction Adapter | 5012-PKG | \$24.00 |

Accessories

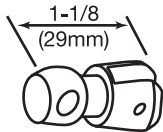


| | |
|--|-----------------|
| 1-1/2" (38mm) Extension Models 997M, 998M & 994M) Mounts behind wall cover. | See Page 134 |
| XK996M Part# 996631M-* | |

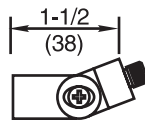
* specify finish



| | |
|--|-----------------|
| Base Unit Armature Extension Mounts between armature and contact plate. Part# 900 Cannot be used with Model 994 | See Page 134 |
|--|-----------------|



| | |
|---|-----------------|
| 994M Swivel Armature (cannot be used with extension spacers) Part# 900-3 | See Page 134 |
|---|-----------------|

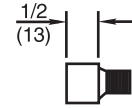


| | |
|---|-----------------|
| Armature Extension 90° Bend Part# 900-Z Must be used with 900 base unit. Those two pieces will extend armature 3" longer than the contact plate. | See Page 134 |
|---|-----------------|

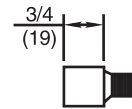
| | |
|---|-----------------|
| Extension pieces must be used in conjunction with 900 Base Unit | See Page 134 |
| Part# 900-50 | |
| Part# 900-75 | |
| Part# 900-100 | |
| Part# 900-200 | |
| Part# 900-300 | |
| Part# 900-400 | |
| Part# 900-500 | |
| Part# 900-600 | |
| Part# 900-700 | |

*specify finish

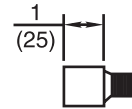
900-50



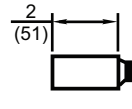
900-75



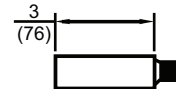
900-100



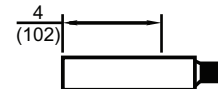
900-200



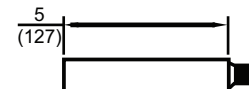
900-300



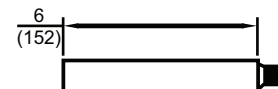
900-400



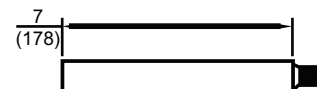
900-500



900-600



900-700



Used with Model 980M/981M

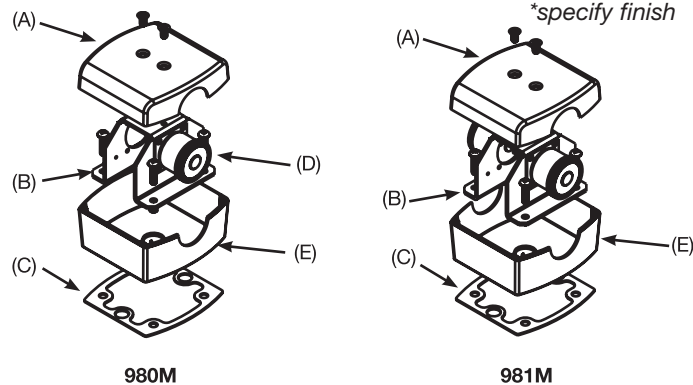
Floor Portion

| | |
|---|----------|
| (A) Magnet Housing Cover 980311M-*/981311M-* | \$379.60 |
| (B) Magnet Support Bracket 981309 | \$34.90 |
| (C) Gasket 980095M | \$23.00 |
| (D) Magnet **996219-3V | \$170.00 |
| (E) Magnet Housing Base 980312M-*/981312M-* | \$232.00 |

*specify finish

**For voltages other than (tri-volt 12 VDC, 24 VAC, 24 VDC, and 120 VAC), contact factory for electromagnet assembly part number.

| Screw Kits | |
|--------------------------------|----------|
| Screw Kit for 980M 980328-* | \$88.00 |
| Screw Kit for 981M 981328-* | \$111.00 |



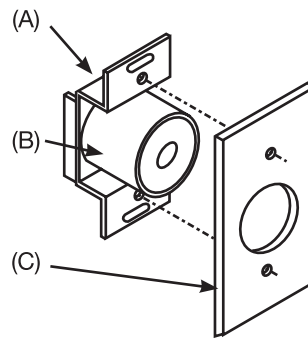
Used with Model 990M, 989

| | |
|--------------------------------|----------|
| (A) Magnet Bracket 990002 | \$37.00 |
| (B) Magnet **996219-3V | \$170.00 |
| (C) Wall Cover Plate 990001 | \$62.00 |

*specify finish

**For voltages other than (tri-volt 12 VDC, 24 VAC, 24 VDC, and 120 VAC), contact factory for magnet mounting bracket assembly part number.

| Screw Kits | |
|--------------------------------|---------|
| Screw Kit for 990M 990300-* | \$27.30 |

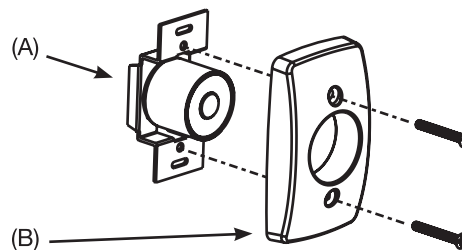


Used with Model 994M, 997M, 998M

| | |
|--|----------|
| (A) Magnet Assembly and Bracket **998369-3V | \$197.00 |
| (B) Cover 998315-* | \$76.00 |

*specify finish

| Screw Kits | |
|---|---------|
| Screw Kit for 997, 997M/998M 998300-* | \$30.70 |
| Screw Kit for 997, 998M 998303-* | \$30.70 |

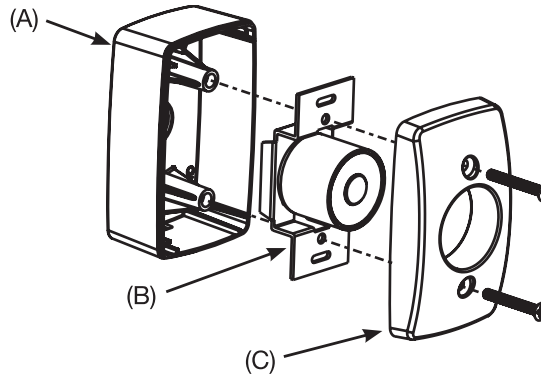


*specify finish

**For voltages other than (tri-volt 12 VDC, 24 VAC, 24 VDC, and 120 VAC), contact factory for magnet mounting bracket assembly part number.

Used with Model 996M

| | |
|--|----------|
| (A) Surface Mounting Box Housing 996501M-* | \$106.00 |
| (B) Magnet Assembly and Bracket **996369-3V | \$197.00 |
| (C) Cover 998315M-* | \$76.00 |



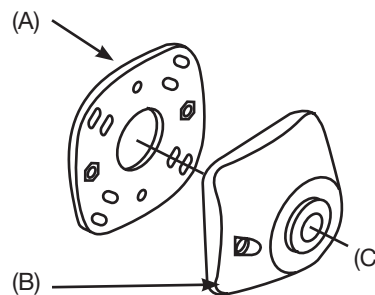
| Screw Kits | |
|--------------------------------|---------|
| Screw Kit for 996M 996325-* | \$30.70 |

*specify finish

**For voltages other than (tri-volt 12 VDC, 24 VAC, 24 VDC, and 120 VAC), contact factory for magnet mounting bracket assembly part number.

Used with Model 999M

| | |
|---------------------------|----------|
| (A) Base Plate 999105 | \$81.00 |
| (B) Cover 999055-* | \$300.00 |
| (C) Magnet **996219-3V | \$170.00 |



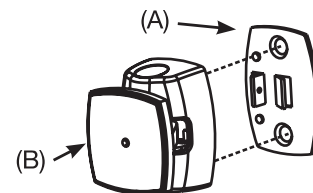
| Screw Kits | |
|--------------------------------|---------|
| Screw Kit for 999M 999318-* | \$30.70 |

*specify finish

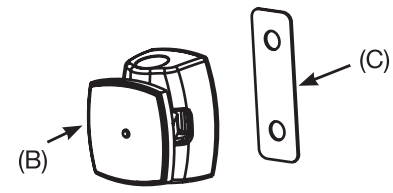
**For voltages other than (tri-volt 12 VDC, 24 VAC, 24 VDC, and 120 VAC), contact factory for magnet mounting bracket assembly part number.

Used with Model 980M/981M, 990M, 991M, 996M, 997M Door Portion

| | |
|--------------------------------|----------|
| (A) Backup Plate 900314 | ** |
| (B) Door Armature 997510M-* | \$137.00 |
| (C) **Door Plate 998009 | ** |



Surface Applied
Concealed Mounting
Recommended for Solid
Wood Doors Only



Thru Bolt Mounting
Recommended for
Hollow Metal, Hollow
Core or Composite Type
Wood Doors

**Not Sold Separately – See Screw Kit

*specify finish

Door portion screws included with Wall/
Floor parts.

*specify finish

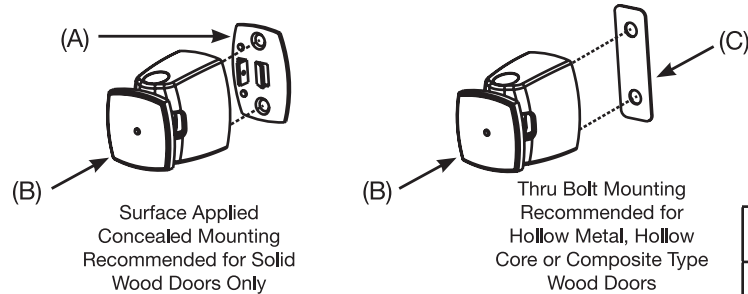
Used with Model 998M, 999M

| | |
|--------------------------------|----------|
| (A) **Backup Plate 900314 | ** |
| (B) Door Armature 998512M-* | \$137.00 |
| (C) **Door Plate 998009 | ** |

**Not Sold Separately –
See Screw Kit

*specify finish

Door portion screws included with
Wall/Floor parts.



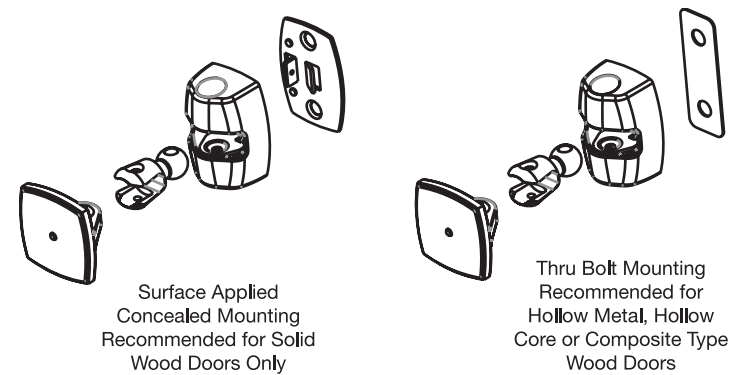
Used with Model 994M

| | |
|---|----------|
| (A) **Backup Plate 900314 | ** |
| (B) Door Armature 994510M- (includes D) | \$148.00 |
| (C) **Door Plate 998009 | ** |

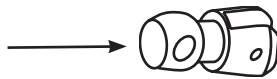
**Not Sold Separately –
See Screw Kit

*specify finish

Door portion screws included with
Wall/Floor parts.

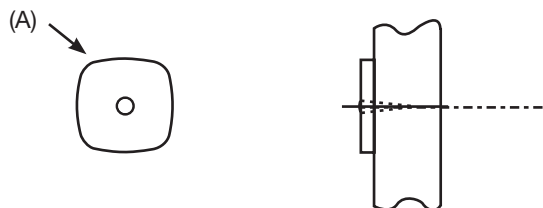


| | |
|---|---------|
| (D) Swivel Armature cannot be used with extension pieces Part# 900-3 | \$97.70 |
|---|---------|



Used with Model 989

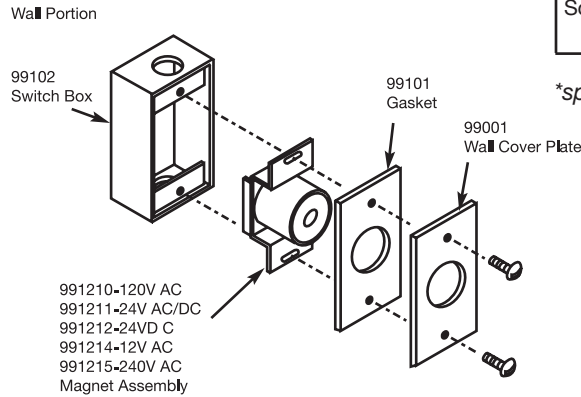
| | |
|---|---------|
| (A) Door Armature Attachment screw included in Kit. Part#444FM | \$85.00 |
|---|---------|



*specify finish

Used with Model 991M

| | |
|---|----------|
| (A) Switch Box 991002 | \$276.00 |
| (B) Magnet Assembly 991210-120 VAC 991211-24 VAC/DC 991212-24 VDC 991214-12 VAC 991215-240 VAC | \$432.00 |
| (C) Gasket 991001 | \$33.50 |
| (D) Wall Cover Plate 990001 | \$62.00 |

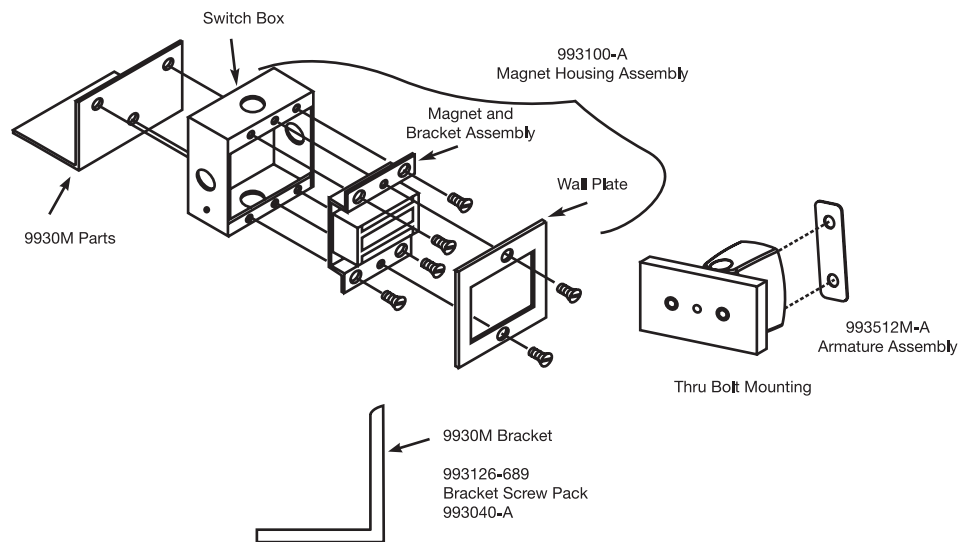


| | |
|--------------------------------|---------|
| Screw Kit for 991M 990300-* | \$27.30 |
|--------------------------------|---------|

*specify finish

Used with Model 993M/9930M

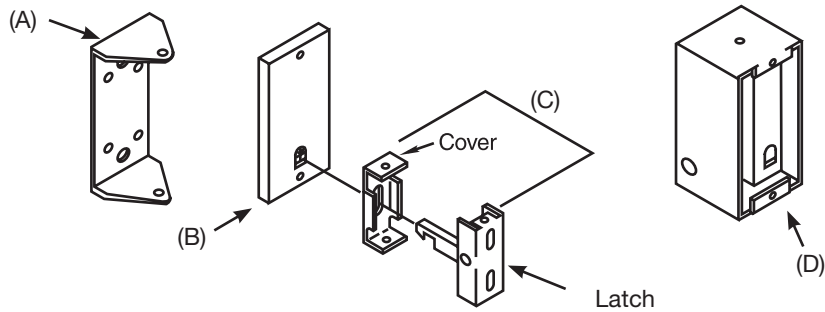
| | |
|---|----------|
| (A) Magnet Housing Assembly 993100-A | \$711.00 |
| (B) Armature Assembly 993512M-A | \$487.00 |
| Screw Kit for 993M: 993300-A | \$18.60 |
| (C) Bracket for floor mounting (Model 9930M) 993126-* | \$111.00 |
| Screw kit for angle bracket 993040-* | \$39.10 |



*specify finish

Used with Model 972H

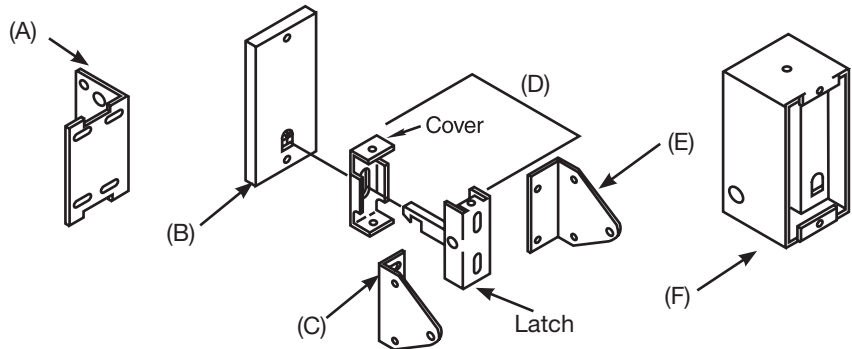
| | |
|---|----------|
| (A) "U" Bracket 972041 | \$95.00 |
| (B) Cover 972102 | \$134.00 |
| (C) Latch Unit 972106 | \$210.00 |
| (D) Box 972100 972112 972118 972120 | \$750.00 |



| | |
|----------------------------------|---------|
| Screw Kit for 972/973H 972190 | \$69.00 |
|----------------------------------|---------|

Used with Model 972S

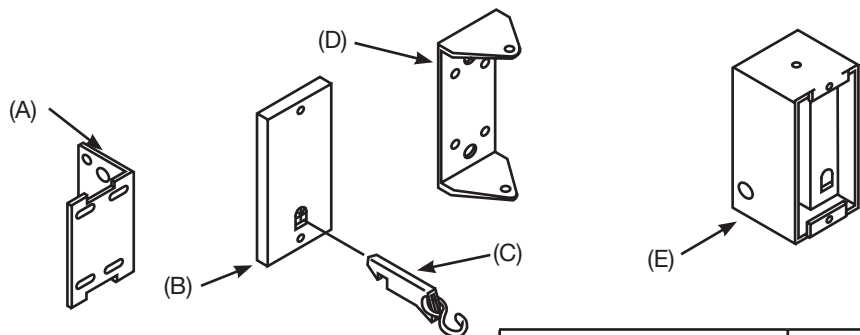
| | |
|---|----------|
| (A) Angle Bracket 972040 | \$56.90 |
| (B) Cover 972102 | \$134.00 |
| (C) Flat Latch Bracket 972044 | \$52.70 |
| (D) Latch Unit 972106 | \$210.00 |
| (E) Threaded Latch Bracket 972043 | \$52.40 |
| (F) Box 972100 972112 972118 972120 | \$750.00 |



| | |
|----------------------------------|---------|
| Screw Kit for 972/973S 972290 | \$69.00 |
|----------------------------------|---------|

Used with Model 972U

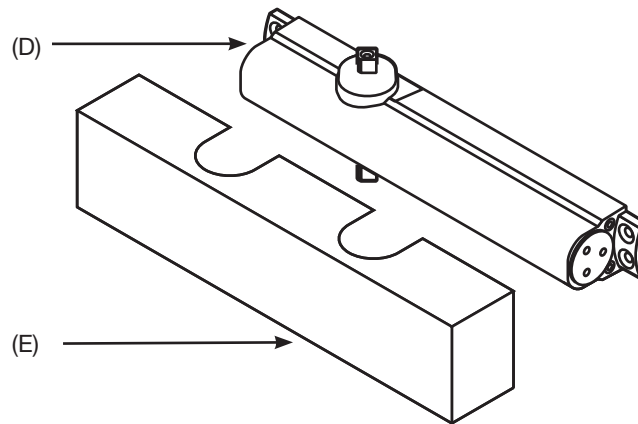
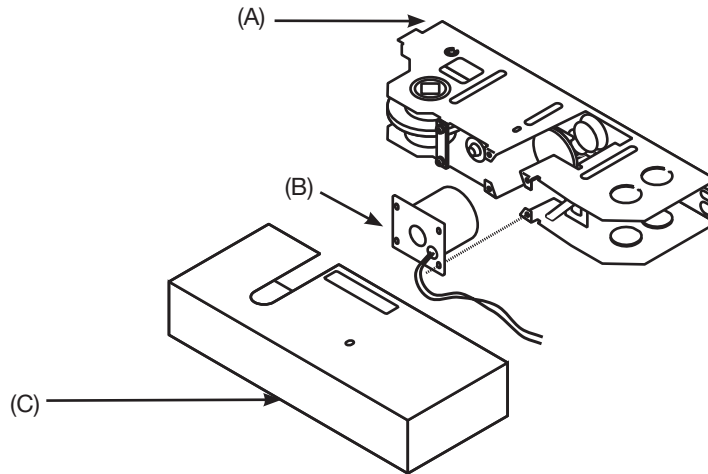
| | |
|---|----------|
| (A) Angle Bracket 972040 | \$56.90 |
| (B) Cover 972102U | \$134.00 |
| (C) Latch Arm 972105 | \$69.00 |
| (D) "U" Bracket 972041 | \$95.00 |
| (E) Box 972100 972112 972118 972120 | \$750.00 |



| | |
|----------------------------------|----------|
| Screw Kit for 972/973U 972390 | \$113.00 |
|----------------------------------|----------|

SMOK-CHEK® V

| | |
|---|----------|
| (A) Holder Assembly 550100 120VAC 550101 24VAC/DC | \$586.00 |
| (B) Magnet 930105 120VAC 930106 24VAC/DC | \$171.00 |
| (C) Holder Cover (non-detected) 550106-* | \$162.00 |
| (D) Closer Body 85010163-* | \$287.00 |
| (E) Closer Cover 233069K* | \$66.00 |

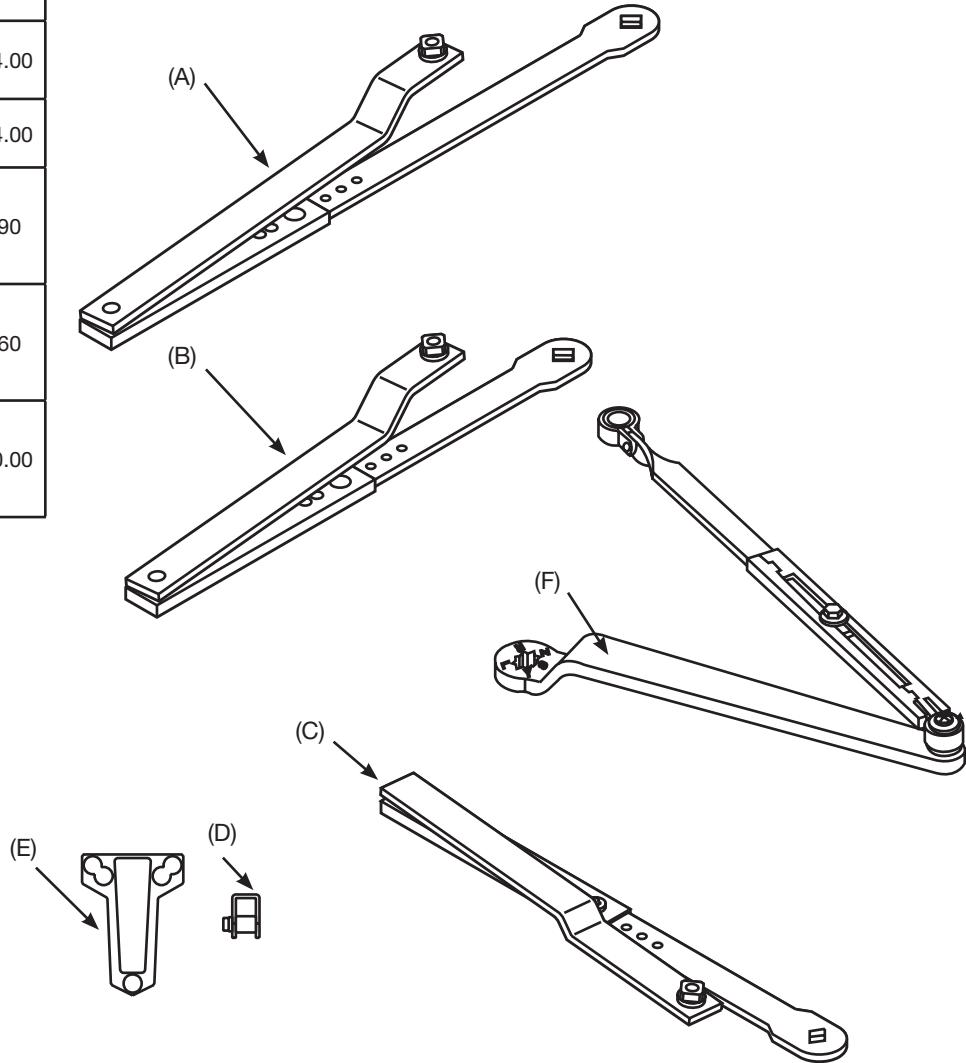


| Screw Packs | |
|--|---------|
| 550221- for models with closers | \$47.60 |
| 550131- for models without closers | \$47.60 |

**specify finish*

SMOK-CHEK® V

| | |
|--|----------|
| (A) Deep Reveal Push Side Arm 550789-* | \$335.00 |
| (B) Push Side Arm 550136K* | \$194.00 |
| (C) Pull Side Arm 550120K-* | \$194.00 |
| (D) Door Pivot Bracket (Used with 0602/2602 models) 565118T689 | \$44.90 |
| (E) PA Bracket (Used with 0602/2602 models) 40-1600-0450-078 | \$26.60 |
| (F) Arm (used with 0602/2602 models) 20-7700-0192-* | \$100.00 |

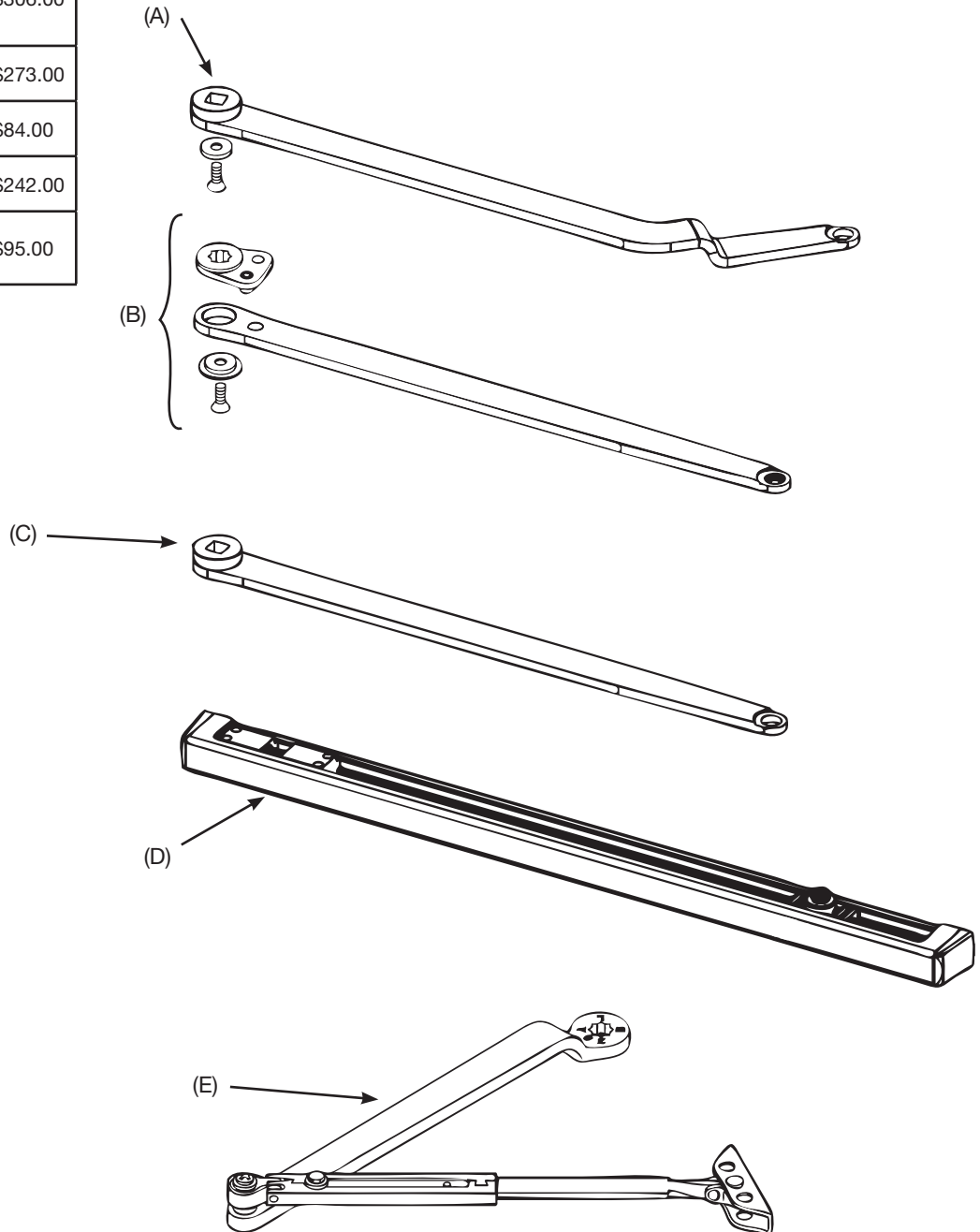


*specify finish

Rixson Electrified
Closers and Holders

SMOK-CHEK® VI

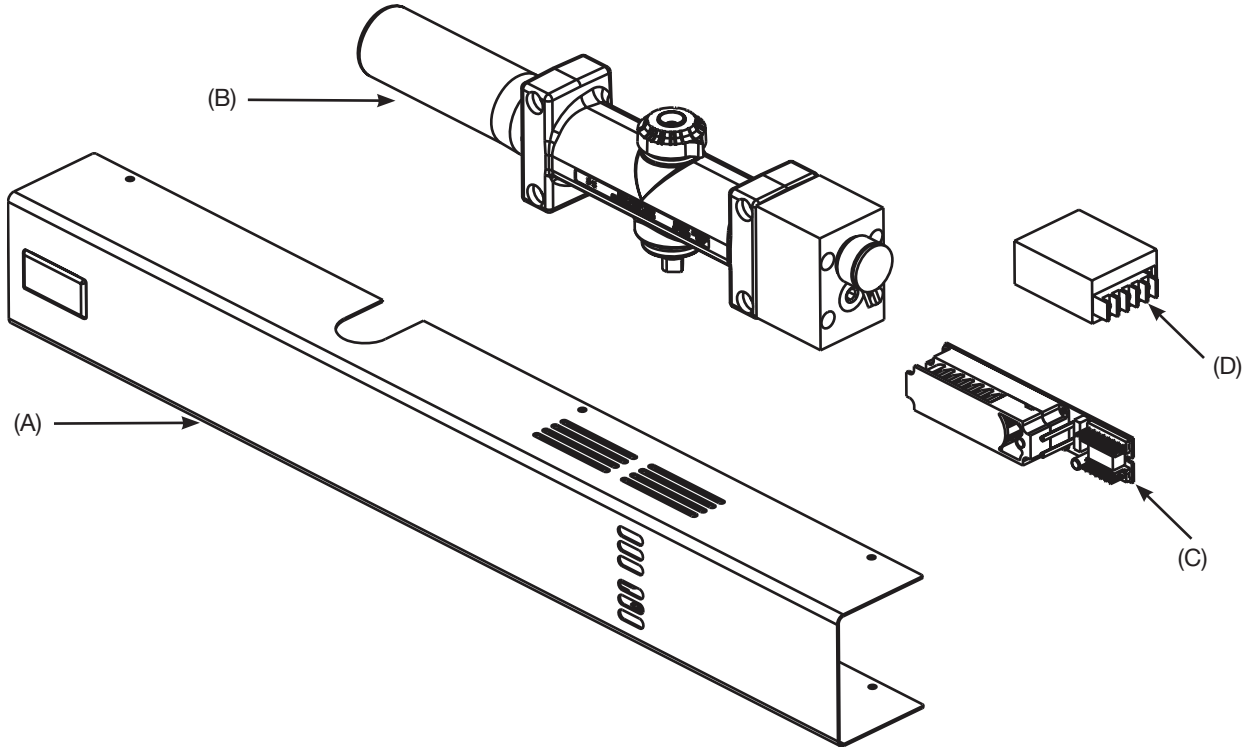
| | |
|---|----------|
| (A) Double Egress Pull Side 15-7200-0517-* (RH) 15-7200-0518-* (LH) | \$306.00 |
| (B) Free Swing Arm 15-7200-0516-* | \$273.00 |
| (C) Pull Side Arm 15-7200-0515-* | \$84.00 |
| (D) Pull Side Track 15-7200-0514-* | \$242.00 |
| (E) Push Side Arm 15-7200-0505-* | \$95.00 |



| | |
|------------------------------------|--------|
| Sex Bolt Package 15-7200-0382-* | \$8.30 |
|------------------------------------|--------|

*specify finish

SMOK-CHEK® VI



| | |
|--|----------|
| (A) Cover (non-detected) 15-7200-0511-* | \$134.00 |
| (A) Cover (detected) 15-7200-0512-* | \$110.00 |

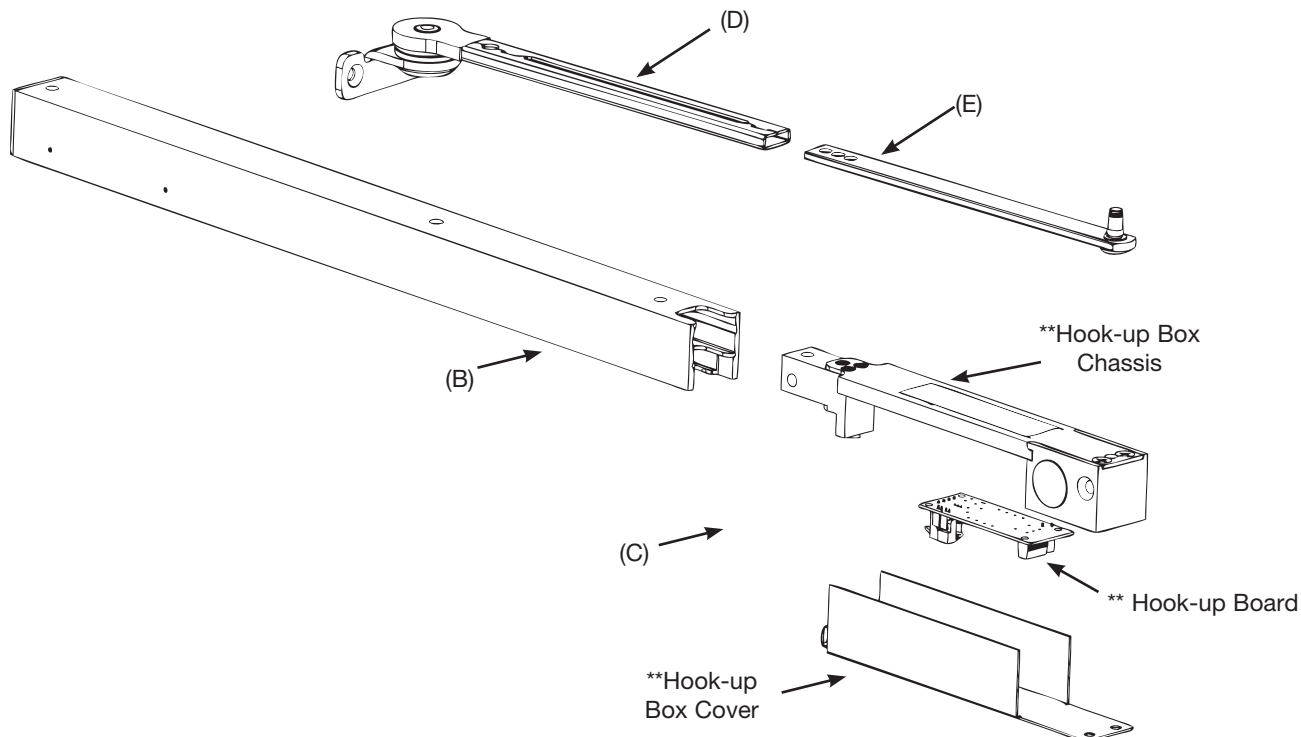
| | |
|---|----------|
| (B) Body Only 15-7204-0501-078 (RH, 24VAC/DC) 15-7204-0503-078 (LH, 24VAC/DC) | \$763.00 |
|---|----------|

| | |
|---|----------|
| (C) Photo Optic Detector Module (detected units only) 15-7200-0503-078 (24VAC/DC) | \$631.00 |
|---|----------|

| | |
|----------------------------------|----------|
| (D) PC Board 20-0099-0613-500 | \$240.00 |
|----------------------------------|----------|

*specify finish

Models 99-726 and 99-926



| | |
|--|----------|
| Slider Assembly (not visible) 20-0099-0337-500 | \$76.00 |
| (B) Channel (for 99-726) 20-0099-0608-* (24V) | \$390.00 |
| (B) Channel (for 99-926) 20-0099-0609-* (24V) | \$390.00 |
| (C) Hook-Up Box Assembly (for 99-726) 20-0099-0604-* (24V) 20-0099-0605-* (120V) | \$174.00 |
| (C) Hook-Up Box Assembly (for 99-926) 20-0099-0600-* (24V) 20-0099-0601-* (120V) | \$154.00 |
| (D) Arm Bracket & Tube 20-0099-0516-* | \$123.00 |
| (E) Adjusting Rod 20-0099-0343-* | \$31.90 |

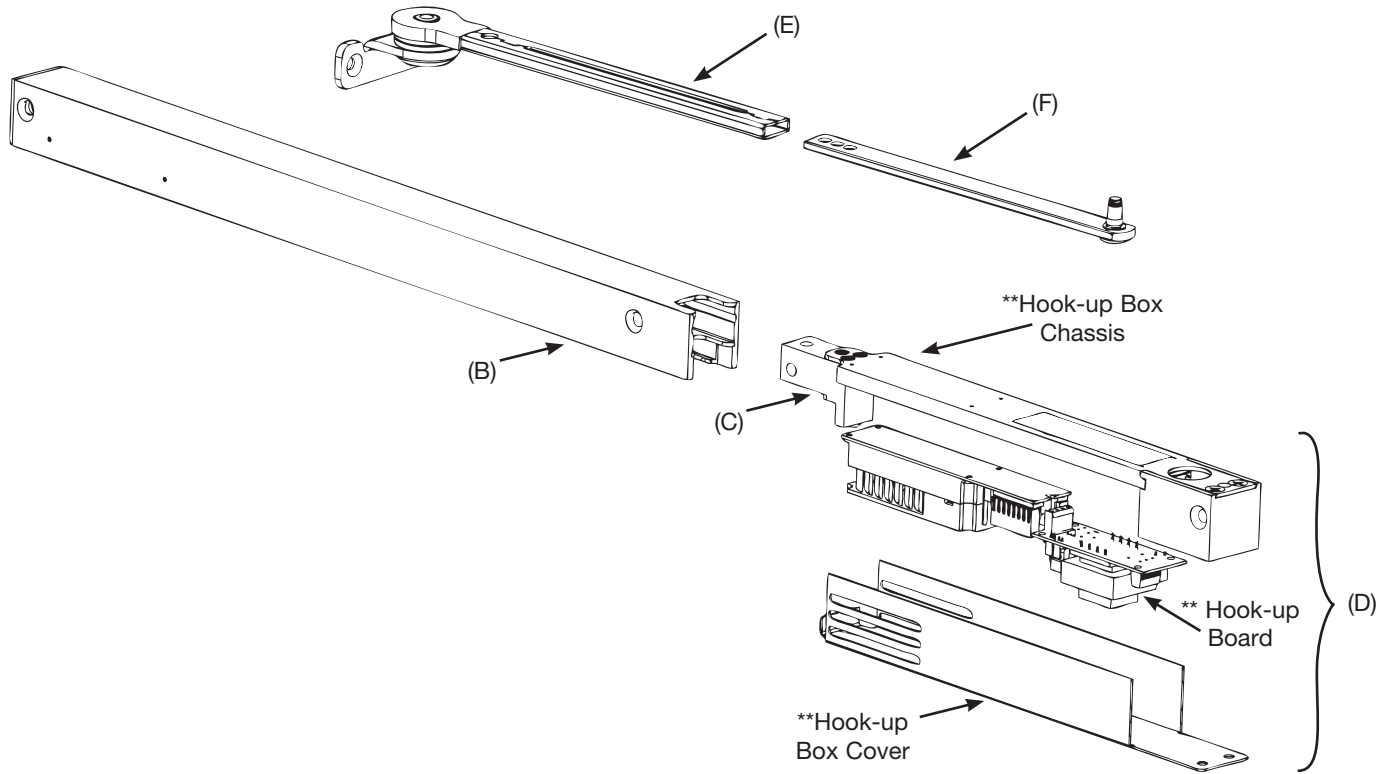
| | |
|-----------------------------|---------|
| Screw Kit 20-0040-0534-* | \$29.20 |
|-----------------------------|---------|

* = specify finish

** = not sold separately. Part of hook-up box assembly

*specify finish

Models 99-626 and 99-826



| | |
|--|----------|
| Slider Assembly (not visible) 20-0099-0337-500 | \$76.00 |
| (B) Channel (for 99-626) 20-0099-0608-* | \$390.00 |
| (B) Channel (for 99-826) 20-0099-0609-* | \$390.00 |
| (C) Detector 20-0099-0610-500 | \$209.00 |
| (D) Hook-Up Box Assembly (for 99-626) 20-0099-0606-* (24V) 20-0099-0607-* (120V) | \$275.00 |
| (D) Hook-Up Box Assembly (for 99-826) 20-0099-0602-* (24V) 20-0099-0603-* (120V) | \$223.00 |
| (E) Arm Bracket & Tube 20-0099-0516-* | \$123.00 |
| (F) Adjusting Rod 20-0099-0343-* | \$31.90 |

| | |
|-----------------------------|---------|
| Screw Kit 20-0040-0534-* | \$29.20 |
|-----------------------------|---------|

* = specify finish

** = not sold separately. Part of hook-up box assembly

ASSA ABLOY is the global leader in door opening solutions, dedicated to satisfying end-user needs for security, safety and convenience

ASSA ABLOY

NORTON | RIXSON

Norton Door Controls
3000 Highway 74 East
Monroe, NC 28112
1.877.974.2255
www.nortondoorcontrols.com

ASSA ABLOY Door Security Solutions Canada
160 Four Valley Drive, Vaughan, ON L4K 4T9
Tel: 800.461.3007
Fax: 800.461.8989
www.assaabloydss.ca

Rixson Specialty Door Controls
3000 Highway 74 East
Monroe, NC 28112
1.800.457.5670
www.rixson.com

Norton®, Power Track®, Unitrol®, CloserPlus®, Tri-Style®, ADAEZ®, PowerMatic® and SafeZone® are registered trademarks of Yale Security Inc., an ASSA ABLOY Group company. CloserPlus Spring™ and Executive™ are trademarks of Yale Security Inc., an ASSA ABLOY Group company. Other products' brand names may be trademarks or registered trademarks of their respective owners and are mentioned for reference purposes only. These materials are protected under U.S. copyright laws. All contents current at time of publication.

Rixson and Design®, Uni-Chek®, Smok-Check®, Duo-Chek® and Checkmate® are registered trademarks of Yale Security Inc., an ASSA ABLOY Group company.

Other products' brand names may be trademarks or registered trademarks of their respective owners and are mentioned for reference purposes only. These materials are protected under U.S. copyright laws. All contents current at time of publication.

Norton and RIXSON are brands associated with ASSA ABLOY Access and Egress Hardware Group, Inc., an ASSA ABLOY Group company. Copyright © 2002-2019, ASSA ABLOY Access and Egress Hardware Group, Inc. All rights reserved. Reproduction in whole or in part without the express written permission of ASSA ABLOY Access and Egress Hardware Group, Inc. is prohibited. Contact Norton at: 877-974-2255 or visit www.nortondoorcontrols.com; Contact RIXSON at 800-457-5670 or visit www.rixson.com. In Canada contact us at: 800-461-3007 or visit www.assaabloydss.ca.