



Installation Instructions for 45H Series Mortise Hook Spindles

1 Install hook spindle

Note: *The hook spindle can be installed on either side of door.*

- 1 Insert the upper hook spindle into the hub cavity with the hook towards the latch as shown in Figure 1.

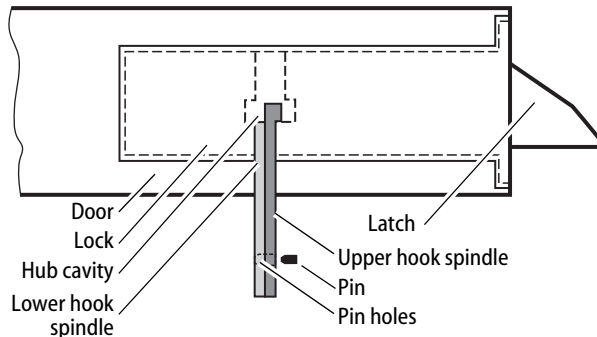


Figure 1 — Top, cut-away view of an installed mortise lock case

- 2 Insert the lower hook spindle beside the upper spindle and align the pin holes as shown in Figure 1.
- 3 Push the pin into the holes making sure it is fully inserted. To remove the pin, push it out through the hole.
- 4 Follow the standard installation instructions (document T81162) for mounting the trim.

Note: *Always use the inside lever with the hook spindle.*