

ED4000, ED5000 Series

Mechanical Pushpad Exit Devices
Parts and Service Manual



Introduction

- Installation Notes 3
- How to Order Parts 3
- Finish Chart 3

Exit Devices

- ED5200(A), ED4200 Rim Exit Device 4
- ED4200M(A) Rim Exit Device 5
- ED5200(A), ED4200S Rim Exit Device 6
- ED4200SM(A) Rim Exit Device 7
- ED4400, ED5400(A) Surface Vertical Rod 8-9
- ED4400M(A) Surface Vertical Rod 10-11
- ED5470(B) Surface Vertical Rod 12-13
- ED5470(B) x M55 (Less Bottom Rod) Surface Vertical Rod 14-15
- ED4800, ED5800(A) Concealed Vertical Rod Exit Device 16-17
- ED4800M(A) Concealed Vertical Rod Exit Device 18-19
- ED5860(B) Concealed Exit Device 20-21
- ED5860B x M55 (Less Bottom Rod) Concealed Exit Device 22-23
- ED5600(A), ED5602(A) Mortise Exit Device 24-25
- ED5000DB Dummy Bar 26-27
- ED4000/ED5000 Pushpad Components 28-29

Trim

- 910, 950, 955, 959 Trim 30-31
- 957 Trim 32-33
- 9M10, 9M50, 9M55, 9M57 Trim 34-35
- F950, F957, F9M57 Trim 36-37
- 910, 950, 955, 959 Parabolic Trim 38-39
- 957 Parabolic Trim 40-41
- 9M10, 9M50, 9M55, 9M57 Parabolic Trim 42-43
- F950, F957, F9M57 Parabolic Trim 44-45
- TH910, TH950, TH955, TH957, TH959 Trim 46-47
- TH9M10, TH9M55, TH9M57 Trim 48-49
- P950, P957, P9M57 Trim 50
- P1050, P1057 Trim 51
- 810, 850, 855, 859 Trim 52-53
- F450, F457, 0810, 0855, 0859 Trim 54-55
- T1455, T1410, T1459 Trim 56-57
- 01455, 01459, 01410 Trim 58-59
- T1450, T1457 Trim 60-61
- Muséo Levers 62

Cylinders 63-64

Strikes 65

Accessories 66

Handing Instructions 67-68

Surface Vertical Rod Exit Devices 69

Concealed Vertical Rod Exit Devices 70

Troubleshooting 71

Installation Notes

1. Any retrofit or other field modification to a fire rated opening can potentially impact the fire rating of the opening, and Yale Locks & Hardware makes no representations or warranties concerning what such impact may be in any specific situation. When retrofitting any portion of an existing fire rated opening, or specifying and installing a new fire rated opening, please consult with a code specialist or local code official (Authority Having Jurisdiction) to ensure compliance with all applicable codes and ratings.
2. Refer to the templates and installation instructions for complete door preparation and installation requirements.
3. Machine screws are provided for steel reinforced doors, threaded-to-the-head AB Type screws are provided for wood door applications. In addition, sex nuts and bolts are provided for fire rated devices and are optional for non-rated devices. It is recommended that sex nuts and bolts be used for all exit device applications. This will improve the performance and extend the life of the product.

How to Order Parts

1. In order to simplify the ordering procedure and maintain regulatory compliance, parts are only available as listed
2. To order parts, provide the appropriate quantity, part number, finish, hand (when required) and description as directed and illustrated below.

For example, use the following configuration to order:

A) ten escutcheon assemblies (page 30) in satin chrome

B) one surface vertical rod latch cover (page 10) in bright brass

	Quantity	Part Number	Finish	Hand	Description
A	10	677F01	626	—	Escutcheon Assemblies
B	1	650F64	605	—	Top Latch Cover

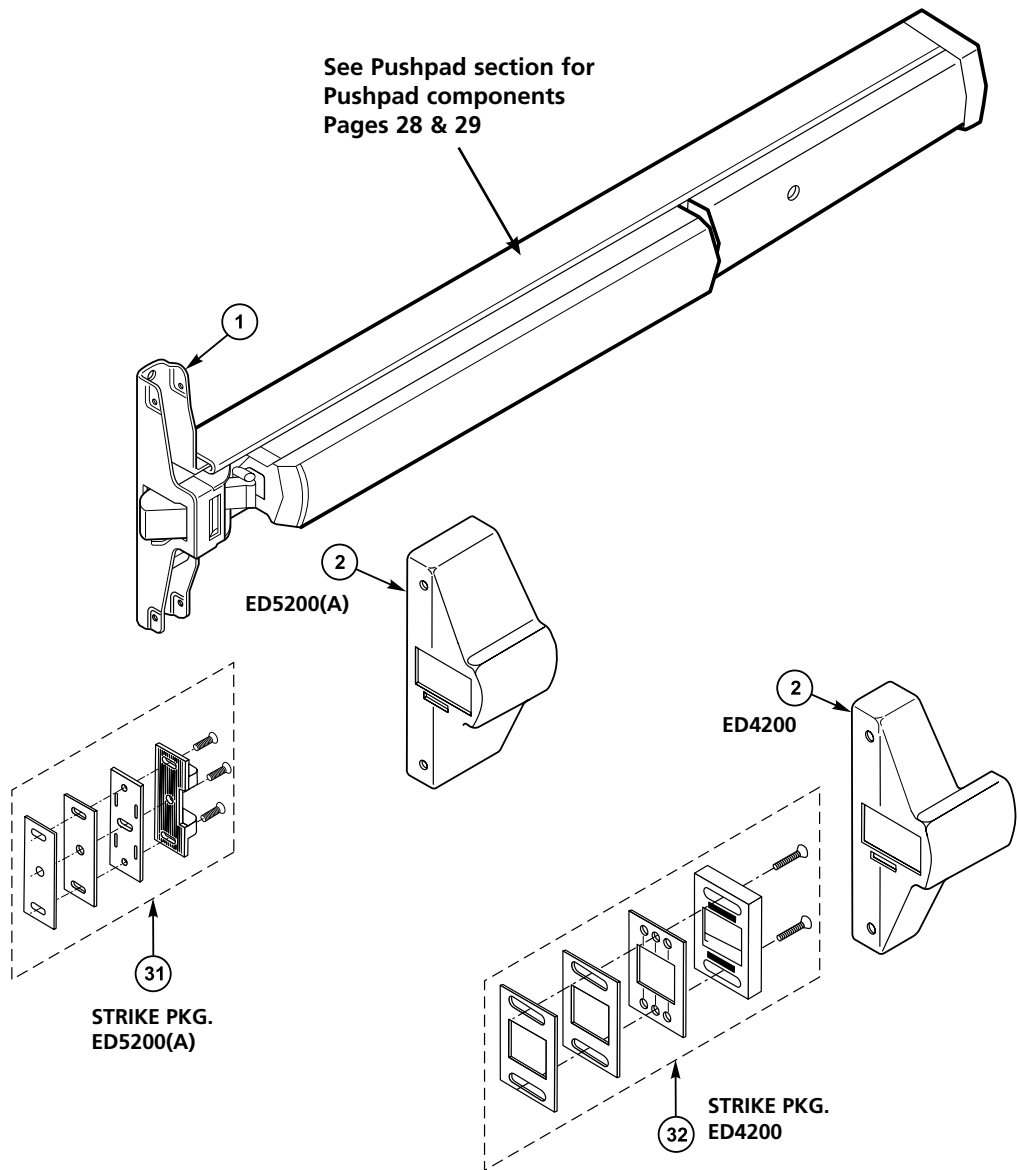
For assistance, contact your authorized Corbin Russwin distributor, sales agency or visit our website at www.corbinrusswin.com.

Finishes

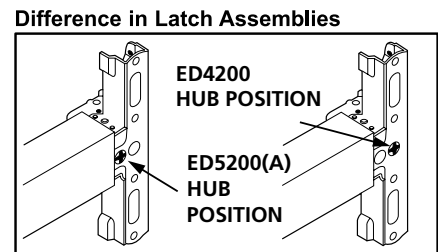
ANSI/BHMA Code	Finish Description
605	Bright Brass, Clear Coated
606	Satin Brass, Clear Coated
611	Bright Bronze, Clear Coated
612	Satin Bronze, Clear Coated
613	Dark Oxidized Satin Bronze, Oil Rubbed
613E	Dark Oxidized Satin Bronze, Equivalent
618	Bright Nickel, Clear Coated
619	Satin Nickel Plated, Clear Coated
625	Bright Chrome Plated
626	Satin Chrome Plated
626C	Satin Chromium Plated with MicroShield® 
629	Bright Stainless Steel
630	Satin Stainless Steel
630C	Satin Stainless Steel with MicroShield® 
722	Black Oxidized Satin Bronze, Oil Rubbed

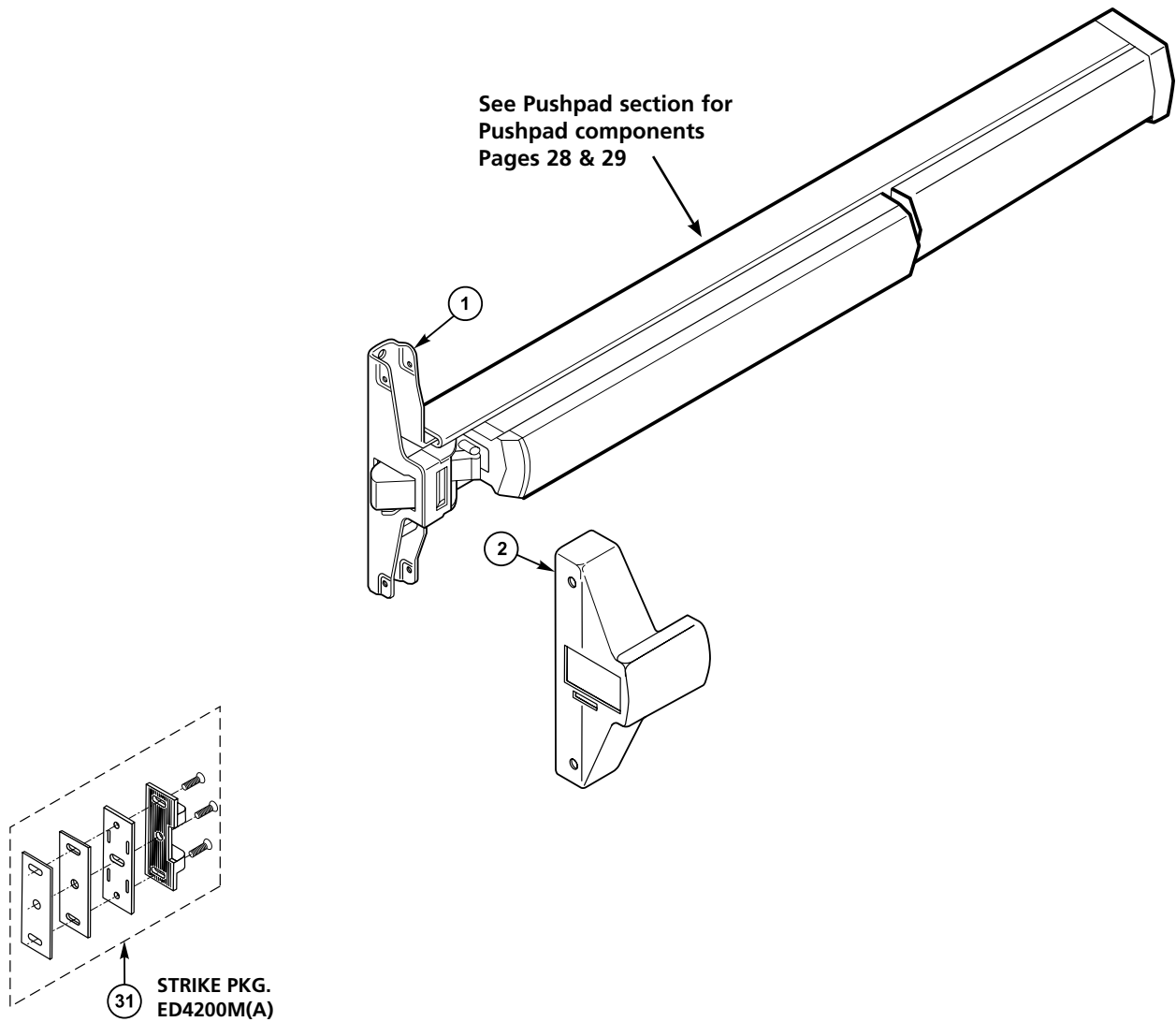


Finish available with MicroShield® antimicrobial coating, additional finishes by special application. Consult factory for availability.

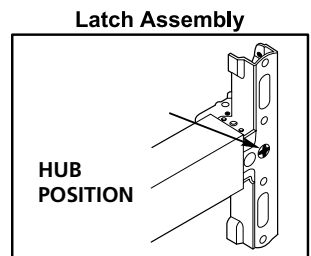


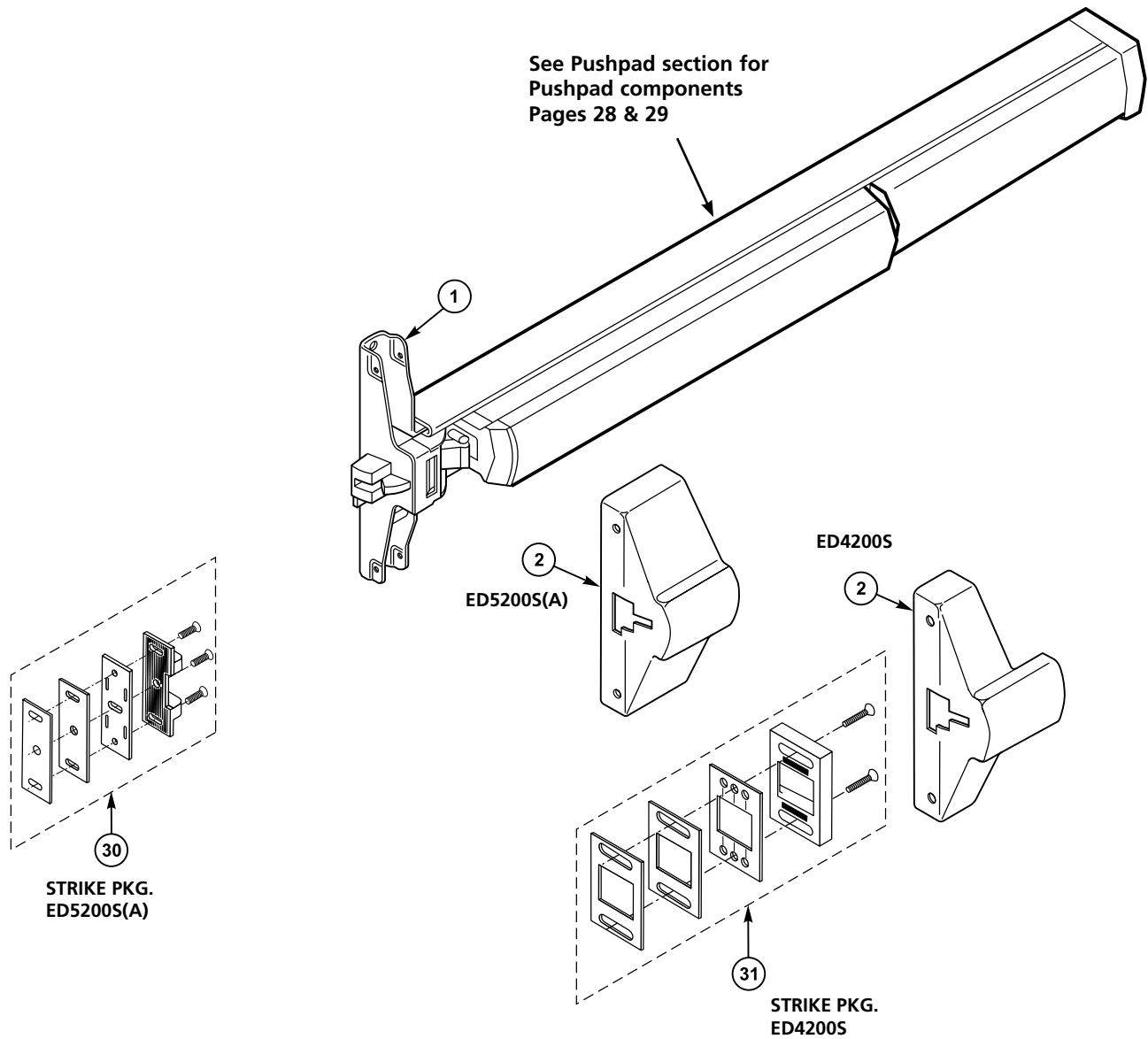
Item	Part No.	Description
1	650F358	Latch Assembly
	650F368	ED5200
	650F378	ED5200A ED4200
2	650F00 x Fin	Cover
	Not Available	ED5200
	650F03 x Fin	ED5200(A) (L) ED4200
31	650F308	ED5200(A) Strike Packet
32	650F318	ED4200 Strike Packet
33	655F718	(S02) ED5200 Rim x VR Strike Not Shown





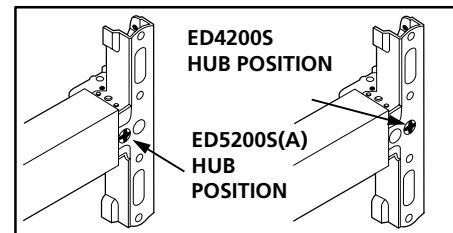
Item	Part No.	Description
1	650F378	Latch Assembly ED4200M
	756F008	ED4200MA
2	650F03 x Fin	Cover ED4200M only
	Not Available	Cover ED4200MA
31	650F308	ED4200M(A) Strike Packet

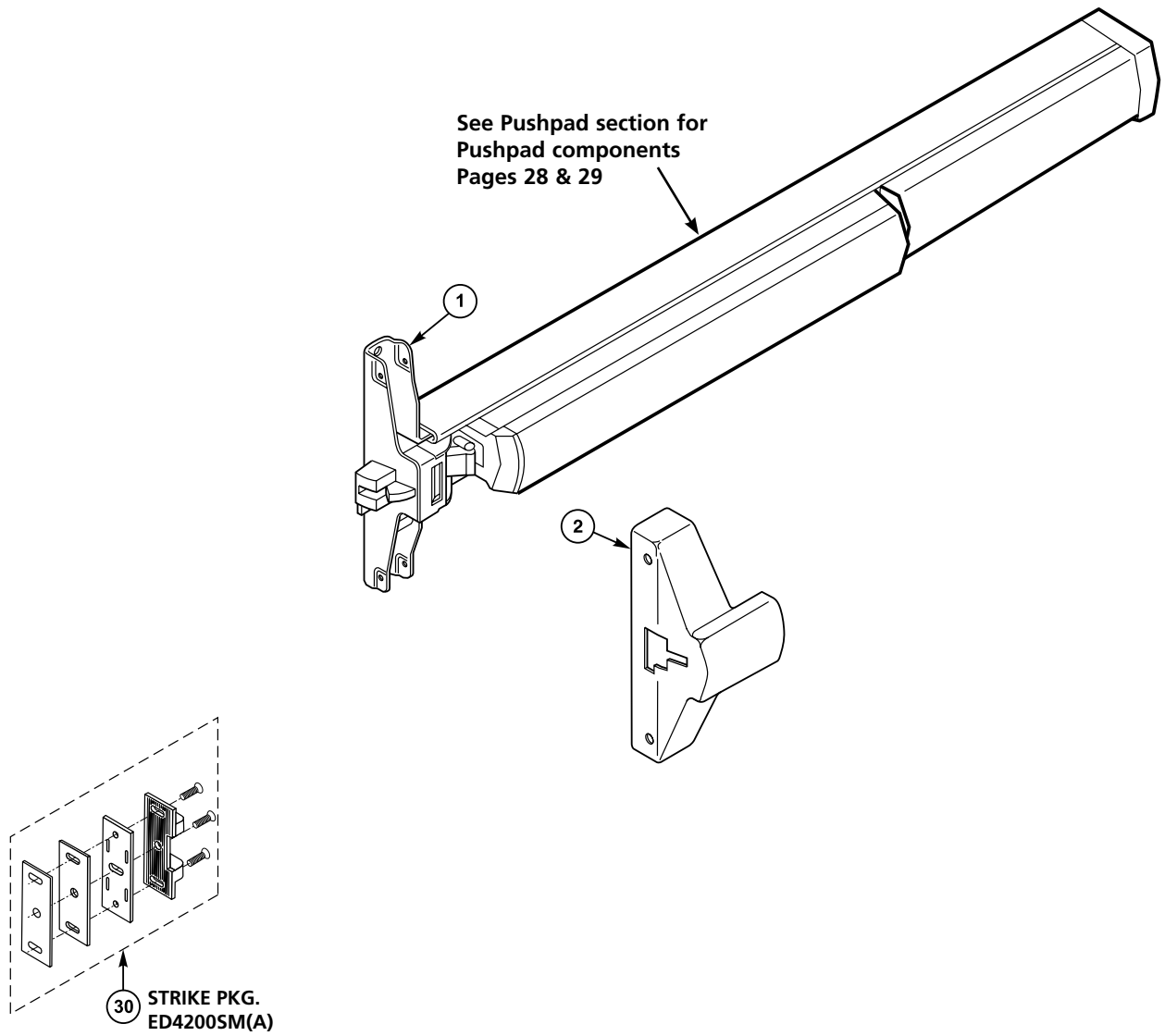




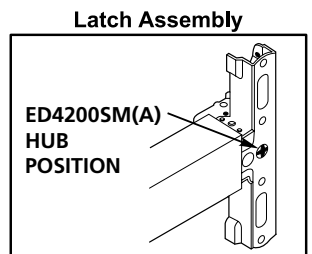
Item	Part No.	Description
1	681F608 681F618	Latch Assembly ED5200S, ED5200SA ED4200S
2	681F62 x Fin Not Available 681F63 x Fin	Cover ED5200S ED5200SA (UL) ED4200S
30	730F778	ED5200S(A) Strike Packet
31	650F318	ED4200S Strike Packet
33	655F718	ED5200S Rim x VR Strike (S02) Not Shown

Difference in Latch Assemblies



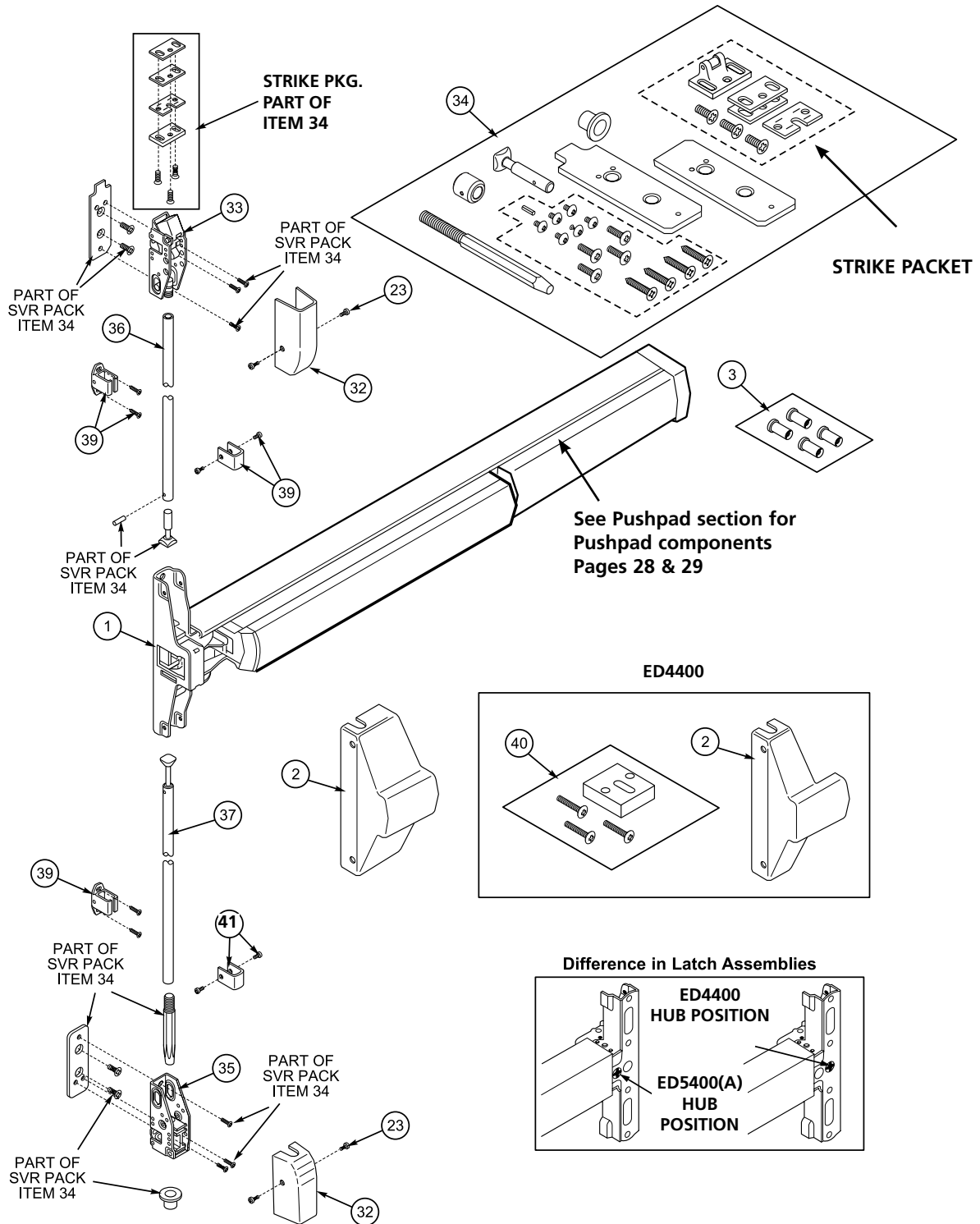


Item	Part No.	Description
1	681F618	Latch Assembly ED4200SM(A)
2	681F63 x Fin	Cover ED4200SM
30	730F778	ED4200SM(A) Strike Packet



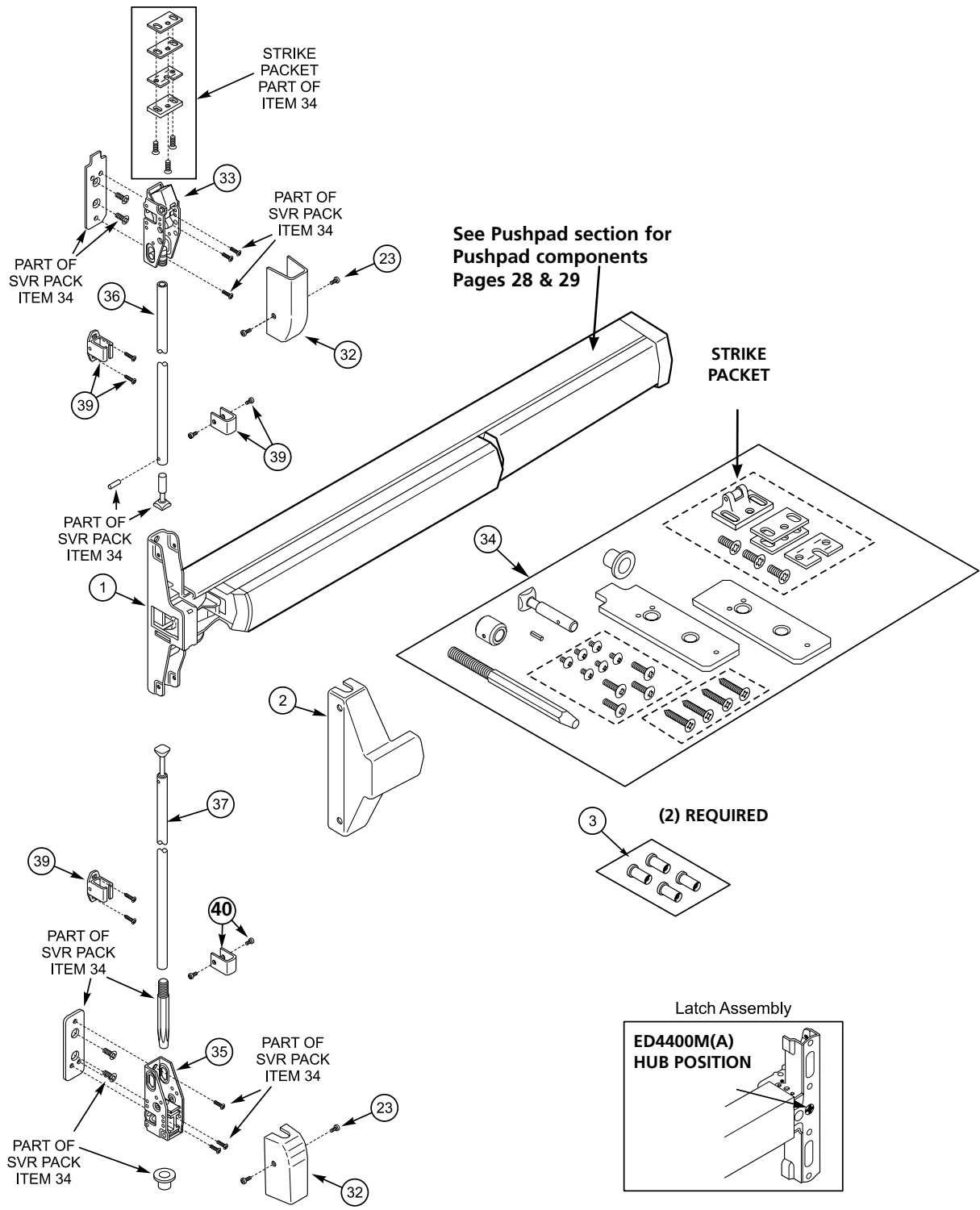
Item	Part No.	Description
1	650F388	Active Head ED5400, ED5400A RHR
	650F398	ED5400, ED5400A LHR
	650F408	ED4400 RHR
	650F418	ED4400 LHR
2	650F01 x Fin	Cover ED5400
	Not Available	ED5400A (UL)
	650F04 x Fin	ED4400
3	650F298 x Fin	Sex Nut Pack (2) required
23	704F63 x Fin	Screw Packet, Cover #8-32 x 5/16"
		UFPHMS (5)
32	650F64 x Fin	Cover, Top & Bottom Latches (2)
33	650F558	Top Latch ED5400, ED4400
	650F568	ED5400A

Item	Part No.	Description		
34	650F578	SVR Pack Consists of the following: Top Mtg. Plate Bottom Mtg. Plate Top Rod Connector Rod Connecting Pin Drill Jig Floor Bolt Strike - Latch Mounting Screw Packet Top Strike Packet		
		650F548	Bottom Bolt Case ED5400, ED4400	
			ED5400A	
		35	650F588 650F598	Top Rod
		36	650F60 x Fin	Bottom Rod Assembly
		37	649F99 x Fin	Rod Guide Packet
		39	650F62 x Fin	Pillow Block Packet ED4400
		40	650F978	Rod Guide Cover (2)
		41	675F99 x Fin	Wood Screw Packet Not Shown
		42	654F208	



Item	Part No.	Description
1	650F408	Active Head ED4400M(A) (Must Specify Hand)
2	650F04 x Fin Not Available	Cover ED4400M ED4400M(A) (UL)
3	650F298	Sex Nut Pack (4) 2 required Fire Rated Only or M54 option
23	704F63 x Fin	Screw Packet, Cover #8-32 x 5/16 " UFPHMS (5)
32	650F64 x Fin	Cover, Top & Bottom Latches (2)
33	650F558 650F568	Top Latch ED4400M ED4400MA
34	650F578 652F298 650F548	SVR Pack Consists of the following: Top Mtg. Plate Bottom Mtg. Plate Top Rod Connector Rod Connecting Pin Drill Jig Floor Bolt Strike Latch Mounting Screw Pack Sex Nut Pack (4) Fire Rated Only Top Strike Packet

Item	Part No.	Description
35	650F588 650F598	Bottom Bolt Case ED4400M ED4400M(A)
36	650F60 x Fin	Top Rod
37	649F99 x Fin	Bottom Rod Assembly
39	650F62 x Fin	Rod Guide Packet Consists of the following: Guide, Rod (1) Screw, #8 x 1/2 (2) RPHMS (4) Screw, #8-32 x 1/4" (2) FPHMS (4)
40	675F99 x Fin	Rod Guide Cover (2)
41	654F208	Wood Screw Packet Not Shown



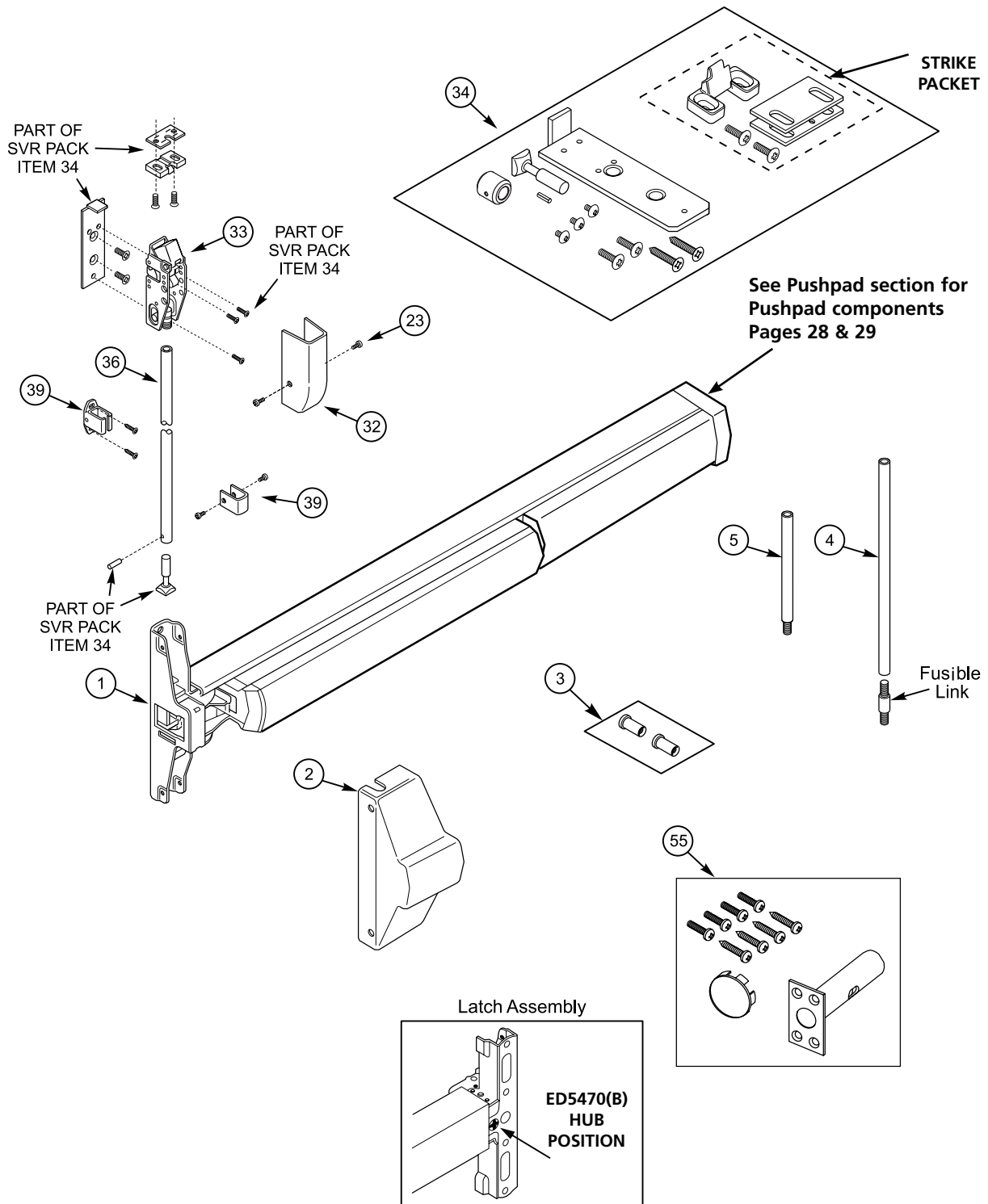
Item	Part No.	Description	Item	Part No.	Description
1	650F388	Active Head ED5470(B) RHR	35	650F588	Bottom Bolt Case ED5470
	650F398	ED5470(B) LHR		650F598	ED5470B
2	650F01 x Fin	Cover ED5470	36	650F60 x Fin	Top Rod
	Not Available	ED5470B (U)	37	649F99 x Fin	Bottom Rod Assembly
3	652F298	Sex Nut Pack (4) (Fire Rated Only) or M54 Quick Code	39	650F62 x Fin	Rod Guide Packet
4	684F42 x Fin	Rod Extension Assy., 24"	40	675F99 x Fin	Rod Guide Cover (2-covers)
5	655F17 x Fin	Rod Extension Assy., 12"	41	654F208	Wood Screw Packet Not Shown
23	704F63 x Fin	Screw Packet, Cover #8-32 x 5/16" UFPHMS (5)			
32	650F64 x Fin	Cover, Top & Bottom Latches (2)			
33	650F558	Top Latch ED5470			
	650F568	ED5470B			
34	697F978	SVR Pack Consists of the following: Top Mtg. Plate Bottom Mtg. Plate Top Rod Connector Rod Connecting Pin Drill Jig Floor Bolt Strike Latch Mounting Screw Pack Latch Mounting Screw (4) (Wood Door Panic)			
	681F708	Top Strike Packet			

ED5470(B) x M55 (Less Bottom Rod) Surface Vertical Rod

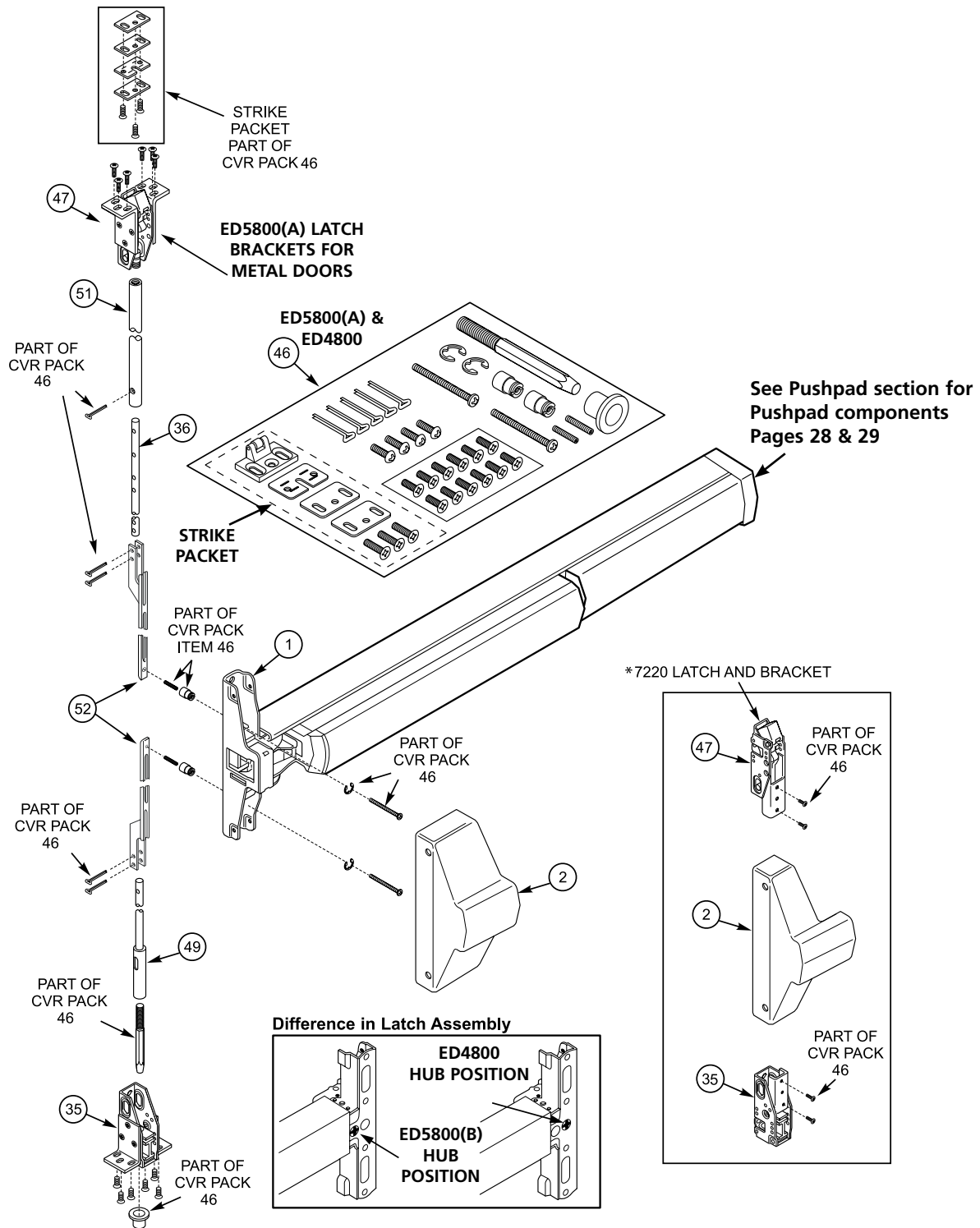
ED4000, ED5000 Parts Manual

Item	Part No.	Description
1		Active Head
	650F388	ED5470(B) RHR
	650F398	ED5470(B) LHL
2	650F01 x Fin	Cover ED5470
	Not Available	ED5470B
3	652F298	Sex Nut Pack (4), Fire Only & M54
4	684F42 x Fin	Rod Extension Assy., 24"
5	655F17 x Fin	Rod Extension Assy., 12"
23	704F63 x Fin	Screw Packet, Cover #8-32 x 5/16"
		UFPHMS (5)
32	650F64 x Fin	Cover, Top & Latch
33	650F558	Top Latch, ED5470
	650F568	Top Latch, ED5470B

Item	Part No.	Description		
34	654F158	SVR Pack Consists of the following: Top Mtg. Plate Top Rod Connector Rod Connecting Pin Drill Jig Latch Mounting Screw Pack Latch MountingScrew(2) (wood doors, panic)		
		681F708	Top Strike Packet	
		36	650F60 x Fin	Top Rod
39	650F62 x Fin	Rod Guide Packet Consists of the following: Guide, Rod (1) Cover, Rod Guide (1) Screw, #8 x 1/2 (2) RPHMS (4) Screw, #8-32 x 1/4" (2) FPHMS (4)		
		55	744F688 x Fin	Popper Packet [Fire Rated (B) Only]
		40	675F99 x Fin	Rod Guide Cover
41	654F208	Wood Screw Packet Not Shown		

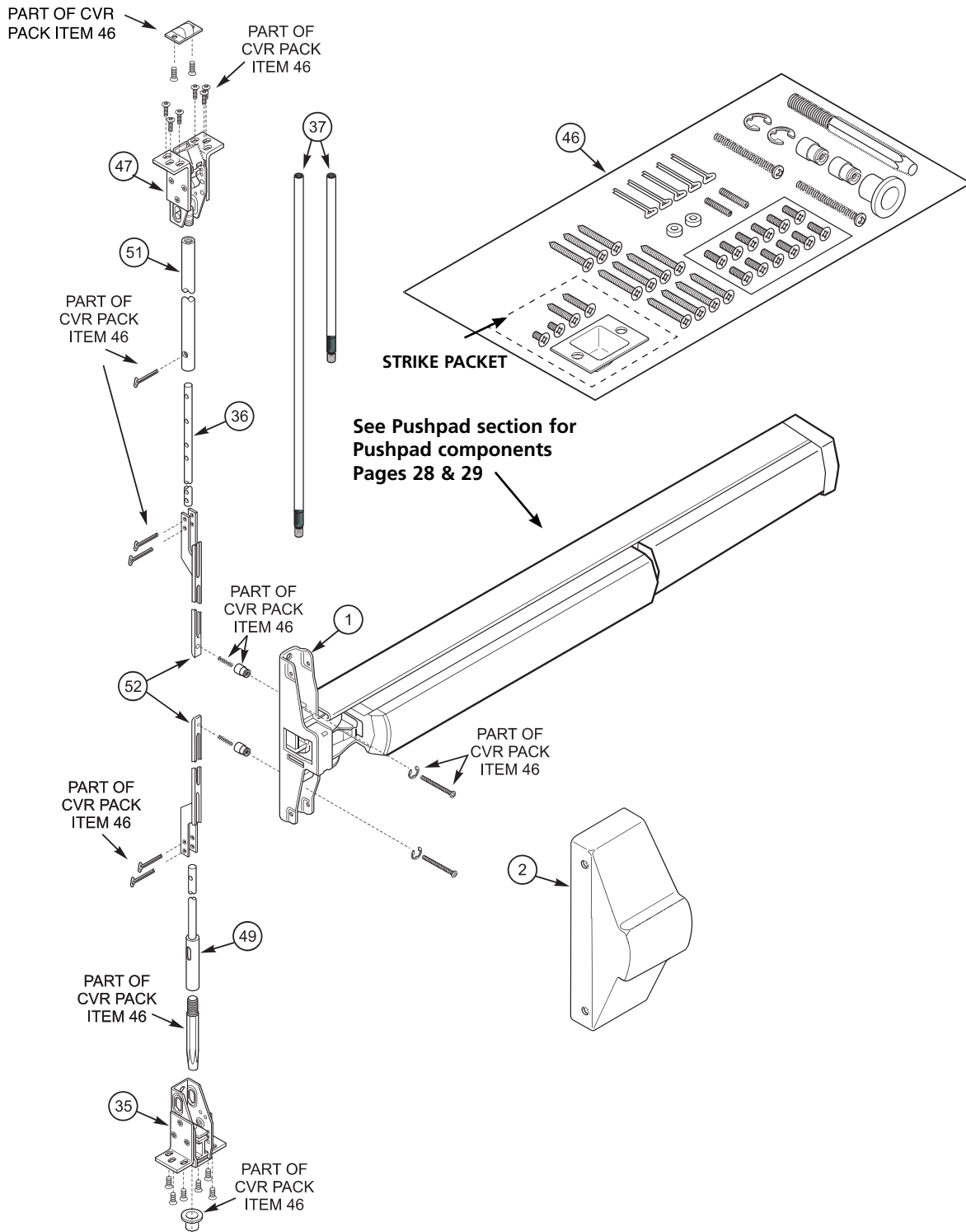


Item	Part No.	Description
1	650F438	Active Head ED5800(A) RHR
	650F448	ED5800(A) LHR
	650F458	ED4800 RHR
	650F468	ED4800 LHR
2	650F02 x Fin	Cover, Latch Assembly ED5800
	Not Available	ED5800A
	650F05 x Fin	ED4800
35	650F748	Bottom Bolt Case ED5800
	650F758	ED5800A
	650F768	ED4800
36	650F808	Top Rod
46	707F268	CVR Pack for ED5800(A) & ED4800 Consists of the following: Floor Bolt Strike Top Strike Packet Pin, Rod Yoke (2) Set Screw, Yoke Pin Cotter Pin (5) Ring, Retaining (2) 2" Temp Screw (2) Screw Pack
	650F548	
47	650F718	Top Latch & Bracket Assembly ED5800
	650F728	ED5800A
	650F738	ED4800
49	650F798	Bottom Rod & Coupler Assembly
51	650F818	Top Rod Tube
52	707F257	Arm & Bracket Assy (2)
53	654F208	Wood Screw Packet Not Shown



Item	Part No.	Description
1	650F458	Active Head ED4800M(A) RHR
	650F468	ED4800M(A) LHR
2	650F05 x Fin	Cover, Latch Assembly ED4800M
	Not Available	ED4800MA (UL)
35	650F748	Bottom Bolt Case ED4800M
	650F758	ED4800MA
36	650F808	Top Rod
46	707F268	CVR Pack Consists of the following: Floor Bolt Strike Top Strike Packet Pin, Rod Yoke (2) Set Screw, Yoke Pin Cotter Pin (5) Ring, Retaining (2) Screw Pack 2" Temp Screw (2)
	650F548	
47	650F748	Top Latch & Bracket Assembly ED4800M
	650F758	ED4800MA
49	650F798	Bottom Rod & Coupler Assembly
51	650F818	Top Rod Tube
52	707F257	Arm & Bracket Assy (2)
53	654F208	Wood Screw Packet Not Shown

Item	Part No.	Description
1	650F438	Latch Case Assembly ED5860(B) RHR
	650F448	ED5860(B) LHR
2	650F02 x Fin	Cover, Latch Assembly ED5860
	Not Available	ED5860B (UL)
35	650F748	Bottom Bolt Case ED5860
	650F758	Bottom Bolt Case ED5860B
36	650F808	Top Rod
37	655F17 x Fin	Rod Extension Assembly 12" Rod Assembly
	684F42 x Fin	24" Rod Assembly
46	698F048	CVR Pack Consists of the following: Floor Bolt Strike
	681F778	Top Strike Packet Pin, Rod Yoke (2) Set Screw, Yoke Pin Yoke Pin Spacer (2) Cotter Pin (5) Ring, Retaining (2) Screw Pack 2" Temp Screw (2)
49	650F798	Bottom Rod & Coupler Assembly
51	650F818	Top Rod Tube
52	707F257	Arm & Bracket Assy. (2)
53	654F208	Wood Screw Packet Not Shown

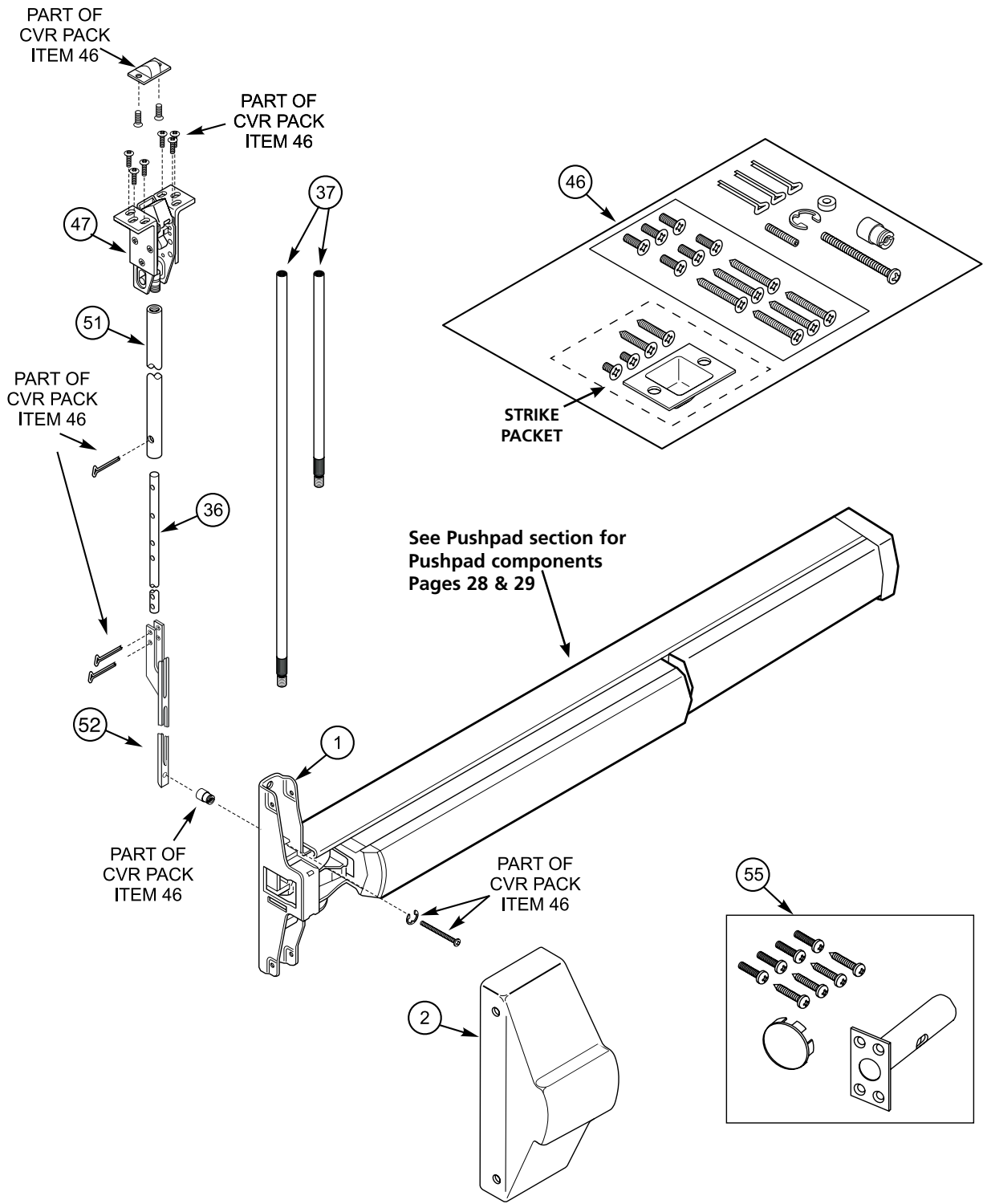


ED5860(B) x M55 (Less Bottom Rod) Concealed Vertical Rod

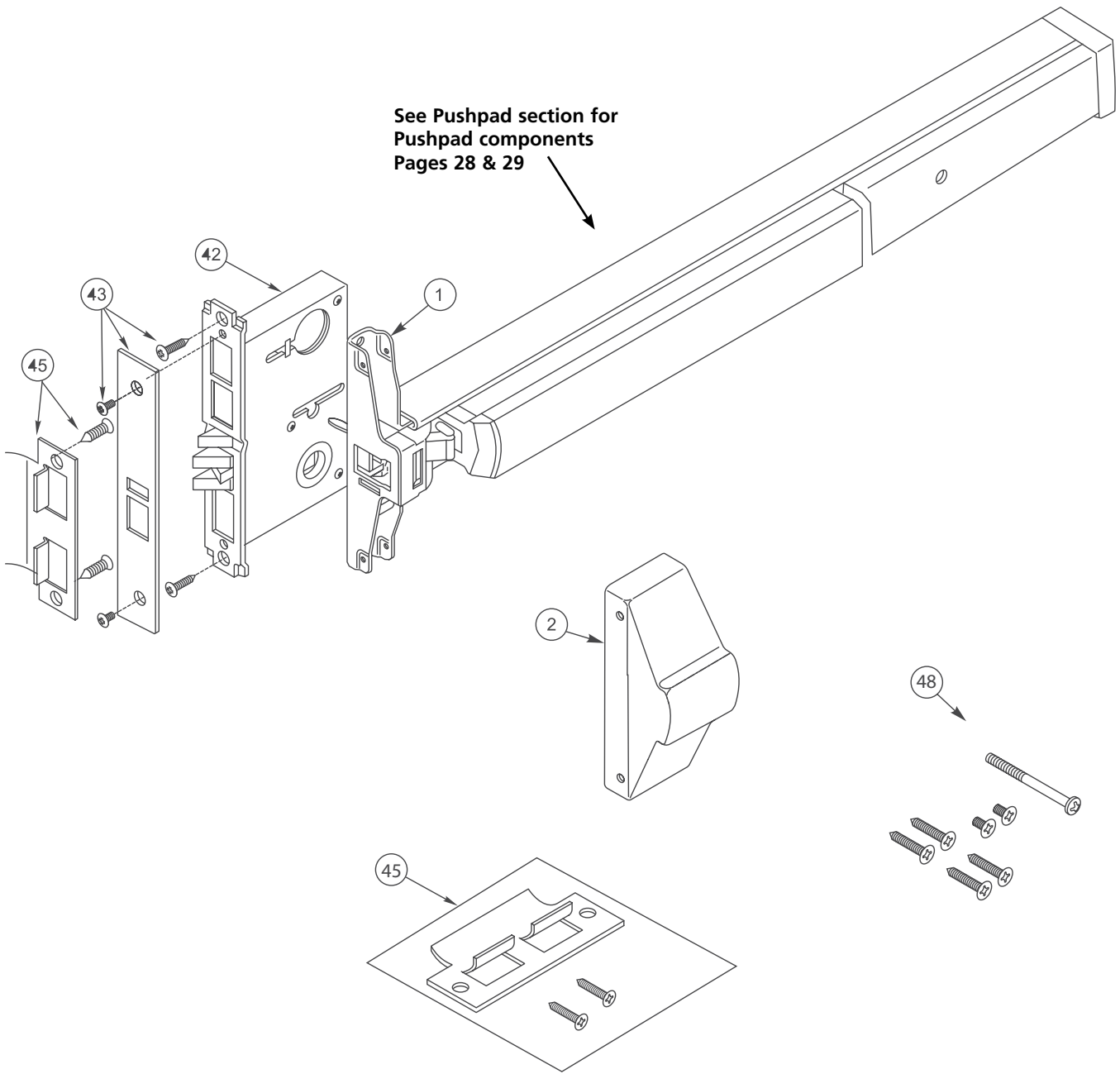
Item	Part No.	Description
1	650F438	Latch Case Assembly ED5860(B) RHR
	650F448	ED5860(B) LHR
2	650F02 x Fin	Cover, Latch Assembly ED5860
	Not Available	ED5860B (UL)
36	650F808	Top Rod
37	655F17 x Fin	Rod Extension Assembly 12" Rod Assembly
	684F42 x Fin	24" Rod Assembly
46	698F058	CVR Pack Consists of the following:
	681F778	Top Strike Packet Pin, Rod Yoke (1) Set Screw, Yoke Pin Yoke Pin Spacer (1) Cotter Pin (3) Ring, Retaining (1) Screw, 10-24 x 1/2 FHM-PH (6) 8x32x2 Temp Screw (1)
47	681F768	Top Latch & Bracket Assembly, ED5860(B)
51	650F818	Top Rod Tube
52	707F257	Arm & Bracket Assembly (1)
55	744F688	Popper Pack (Fire Rated Only)
56	654F208	Wood Screw Packet Not Shown

ED5860(B) x M55 (Less Bottom Rod) Concealed Vertical Rod

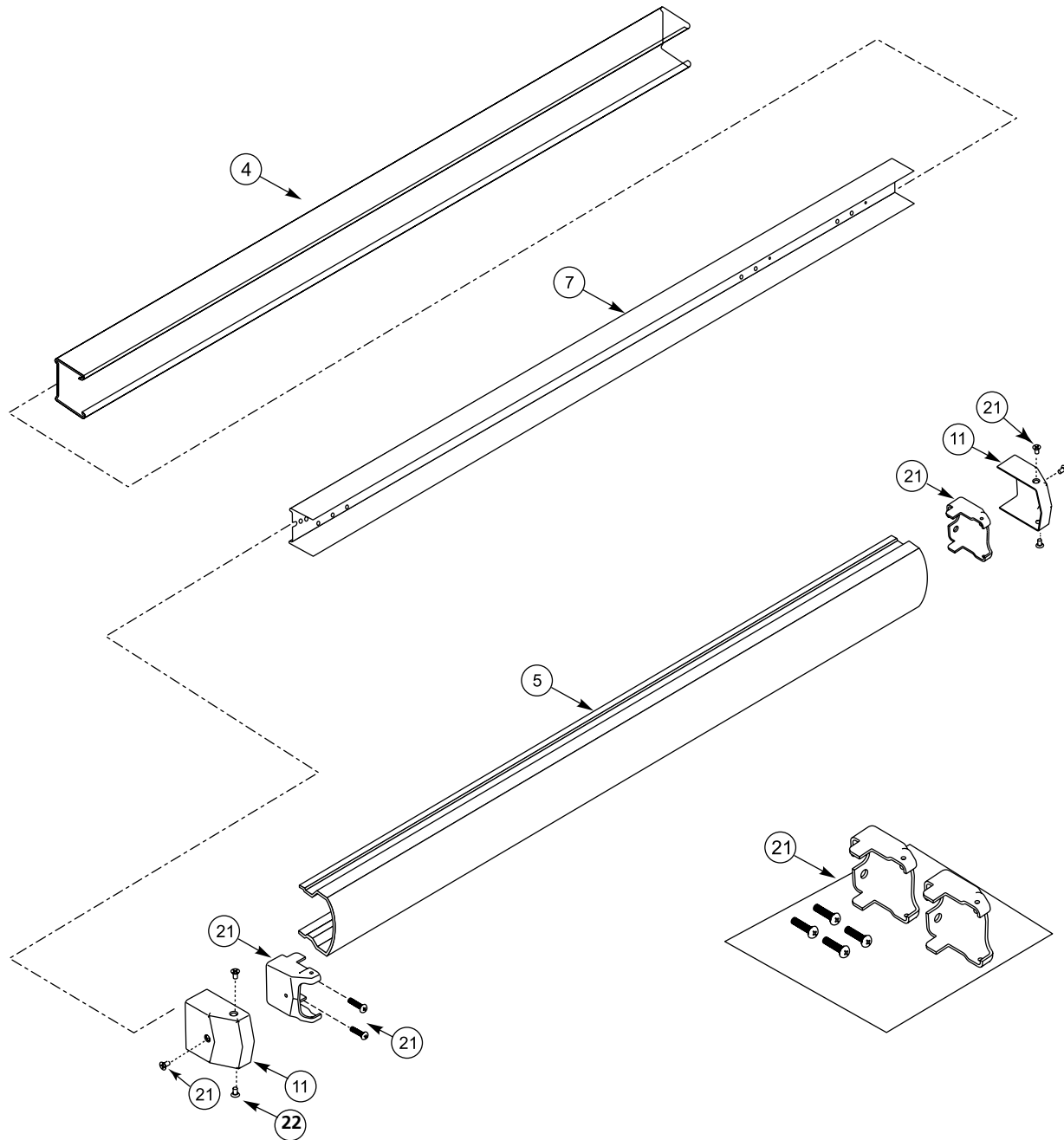
ED4000, ED5000 Parts Manual



Item	Part No.	Description
1	706F098	Active Head ED5602(A) RHR
	706F108	Active Head ED5602(A) LHR
	650F428	ED5600(A)
2	706F15	Cover ED5602 RHR
	706F16	Cover ED5602 LHR
	650F02 x Fin	ED5600
	Not Available	ED5600A
42	678F008 x Hand	Mortise Lock Body Specify Hand ED5600T(A)
	650F678 x Hand	ED5657K(A), ED5657T(A), ED5657K(A)
	655F488 x Hand	ED5600K(A)
	655F698 x Hand	ED5600L(A)
43	650F06 x Fin	Armored Front
45	650L657020622	Strike Packet
46	706F485	Cylinder Housing ED5602(A) Not Shown
47	706F462	Mortise Cylinder Adapter ED5602(A) Not Shown
48	429F41 x Fin	Mounting Pack Not Shown
		Screw, 8-32 x 1/4 UFPHMS (2)
		Screw, #12/12-24 Comb.UFPHMS (2) & Cyl
49	653L163016 622	Open Back Strike - Optional Not Shown Straight Lip 1-3/4 Door
	653L183016 622	Curved Lip 1-3/4 Door
50	654F208	Wood Screw Packet Not Shown

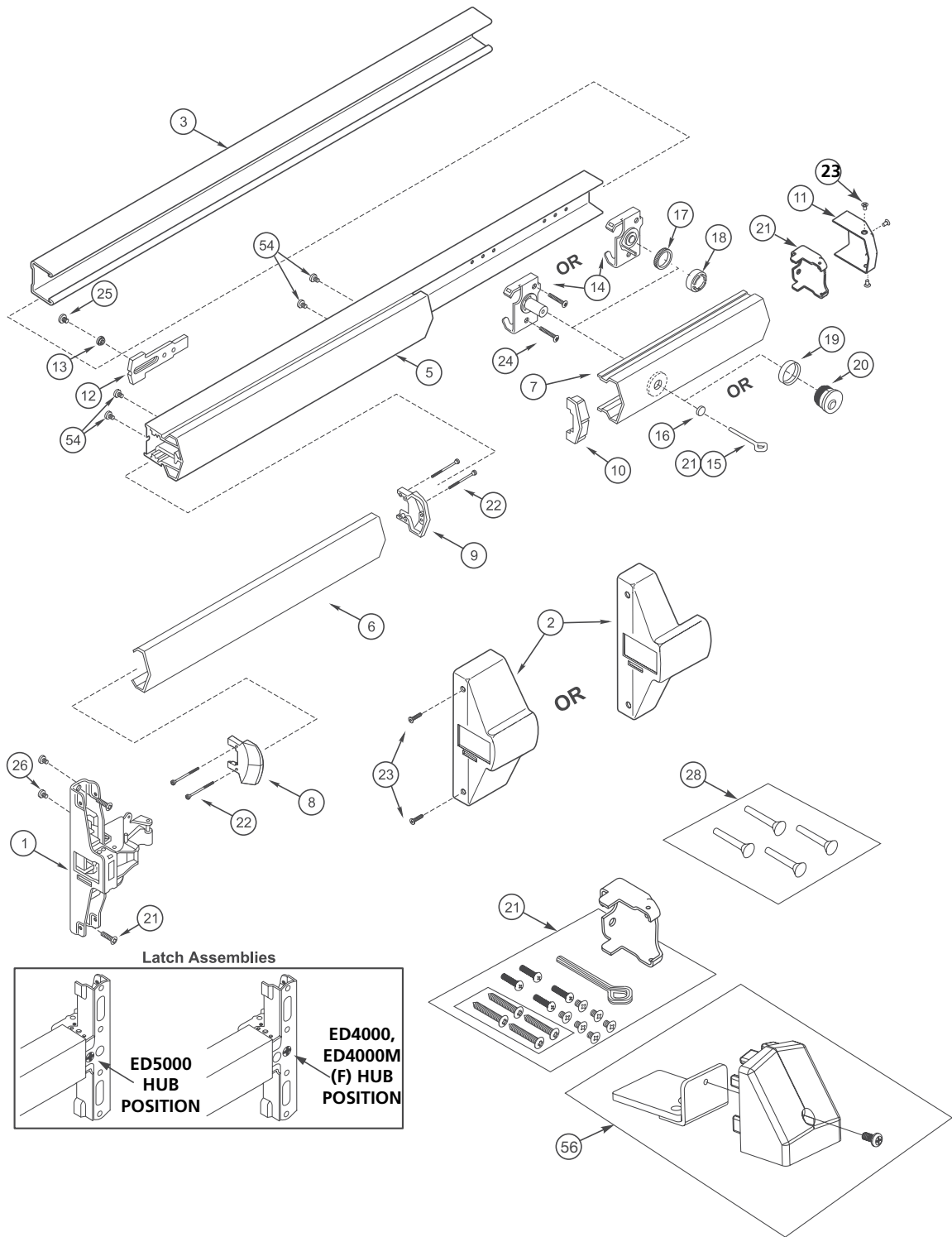


Item	Part No.	Description
4	650F21 x Fin	Bottom Rail, 48"
5	650F93 x Fin	Cover
7	650F998	Carrier Bar
11	704F642 x Fin	End Cap (2)
21	704F648	Device Mounting Pack (2) Consists of the following: End Clamp Screw, 1/4-20 X 1 PPHMS
22	704F63 x Fin	Packet, Cover Screw
23	654F208	Wood Screw Packet Not Shown



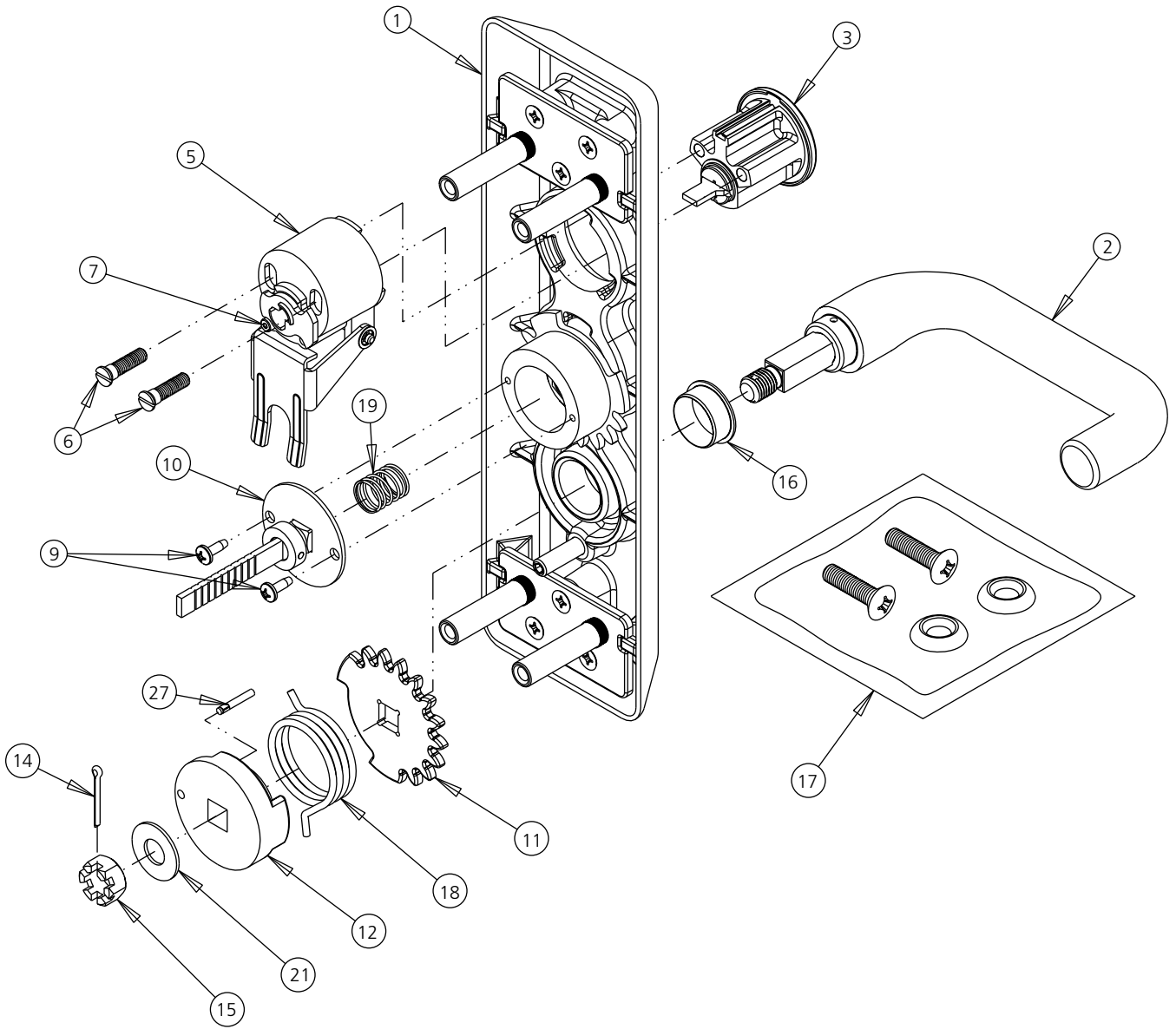
Item	Part No.	Description
1	See specific devices -	Active Heads
2	See specific devices -	Active Heads Covers
3	691F16 Fin	Bottom Rail 24" ED4000
	656F75 Fin	24" ED5000
	650F20 Fin	36" ED4000
	650F19 Fin	36" ED5000
	650F21 Fin	48" ED4000, ED5000, ED5000DB
5	691F148	Bar & Carrier Assembly 24" ED4000
	656F768	24" ED5000
	650F238	36" ED4000
	650F228	36" ED5000
	650F248	48" ED4000, ED5000
	650F998	48" ED5000DB
6	656F72 Fin	Cover, Bar 24" ED4000, ED5000
	650F07 Fin	36" ED4000, ED5000
	650F08 Fin	48" ED4000, ED5000
	676F29 Fin	24" ED4000, ED5000 Embossed (M22)
	656F69 Fin	36" ED4000, ED5000 Embossed (M22)
	656F70 Fin	48" ED4000, ED5000 Embossed (M22)
	710F797	24" ED4000, ED5000 Photoluminescent (M49)
	710F737	36" ED4000, ED5000 Photoluminescent (M49)
	710F747	48" ED4000, ED5000 Photoluminescent (M49)
7	691F15 Fin	Cover, End 24" ED4000 Hexkey Dogging
	691F17 Fin	24" ED4000 Cylinder Dogging
	656F73 Fin	24" ED5000 Hexkey Dogging
	656F74 Fin	24" ED5000 Cylinder Dogging
	650F13 Fin	36" ED4000 Hexkey Dogging
	650F14 Fin	36" ED4000 Cylinder Dogging
	650F11 Fin	36" ED5000 Hexkey Dogging
	650F12 Fin	36" ED5000 Cylinder Dogging
	650F15 Fin	48" ED4000, ED5000 Hexkey Dogging
	650F16 Fin	48" ED4000, ED5000 Cylinder Dogging
	650F93 Fin	48" ED5000DB
8	711F685 622	Touch Pad Cap, Front
9	710F495 622	Touch Pad Cap, Rear
10	650F189	Bar Cap, Black Nylon
11	704F62 Fin	End Cap
12	650F489	Trim Slide All Except Mortise
	N/A	Mortise Trim Slide (attached to Active Head)
13	650F489	Trim Slide Retainer All Except Mortise
	694F848	Mortise Trim Slide Retainer

Item	Part No.	Description
14	650F528	Dogging Assembly
	650F968	HexKey (Standard) Cylinder Dogging
15	656F408	Dogging Key (5/32" Hex)
16	650F279	Dogging Hole Plug
17	697F862	Cylinder Nut
18	650F959	Cylinder Spacer
19	None Required	Collar, Dogging Cylinder
	270F15 x Fin	1 1/8" Cylinder
	610F02 x Fin	1-1/4" Cylinder
	654F07 x Fin	1-3/8" Cylinder 1-1/2" Cylinder
20	As Ordered	Cylinder Dogging Cylinder Mortise Cylinder x A02 Cam
	704F648 704F658	End Clamp Packet All except SecureBolt SecureBolt Devices
22	650F288 622	Screw, Pushpad Caps (4)
23	704F63 Fin	Screw Pack, Ecn Cap & Active Head Cover #8-32 x 5/8" PHT-PH
24	711F608	Screw Dogging Assembly (2) #10-32 x 1/2" PHT-PH (1)
	650F508	Screw, Trim Slide #8-32 x 1/2" FHT-PH (1)
26	650F518	Screw, Active Head to Carrier #8-32 x 1/4" PHT-C-PH (2)
28	650F298 Fin	Sex Nut Packet (4-SNB's) ED5200(A) S
	681F698 Fin	SecureBolt (6SNB's) ED5200SA
56	704F888	High Impact End Clamp (M109) Optional



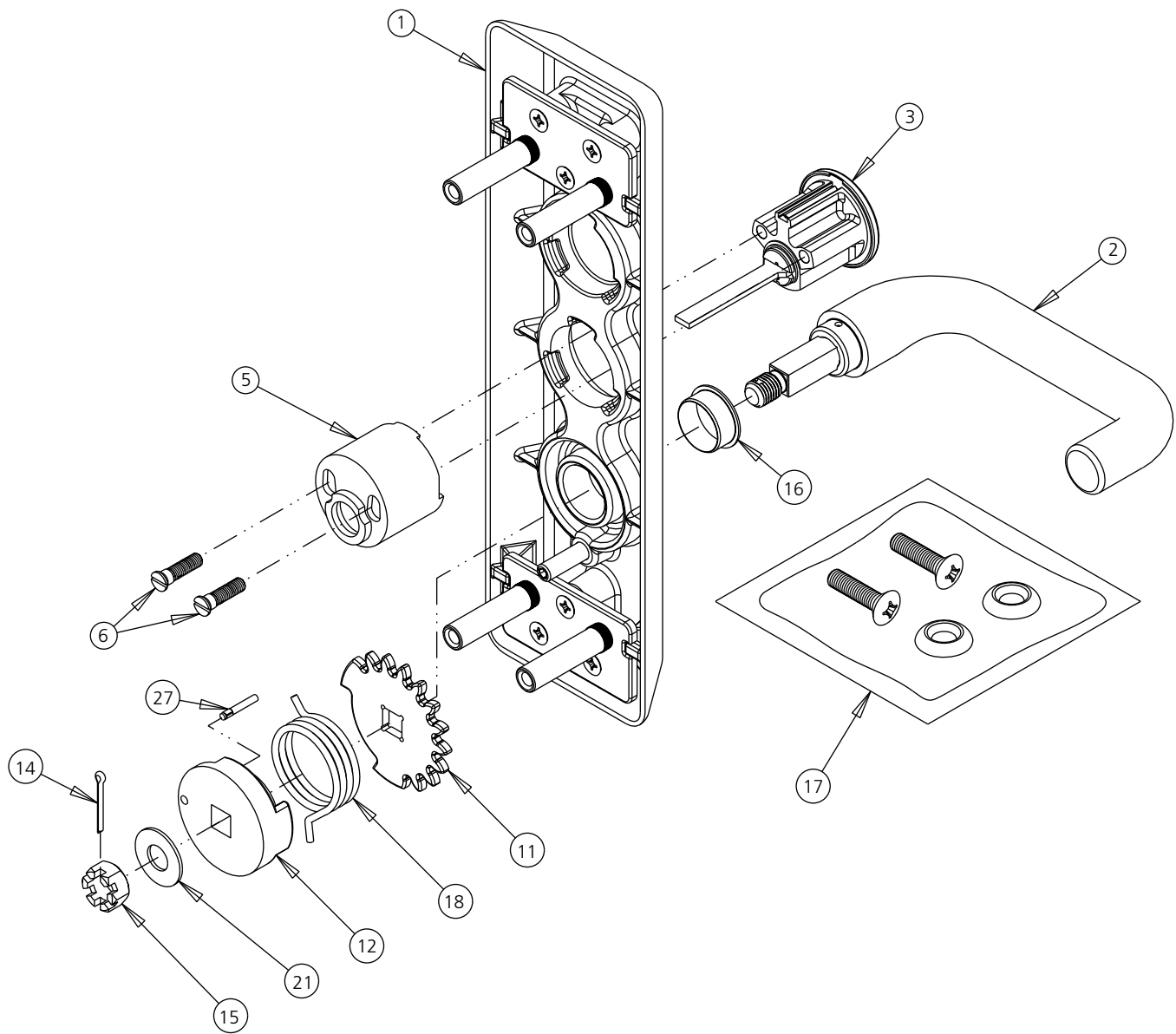
Item	Part No.	Description
1		Escutcheon Assembly (All other knobs/levers)
	783F055 x Fin	*910
	733F44 x Fin	*910, *950
	783F06 x Fin	*955, *959
		Escutcheon Assembly (Muséo Levers)
	733F48 x Fin	*910
	733F53 x Fin	*950
	733F50 x Fin	*955, *959
2		Lever and Spindle (non-Muséo)
	677F04 X Fin	Lustra
	677F05 X Fin	Newport
	677F13 X Fin	Essex
	677F14 X Fin	Regis
	677F15 X Fin	Citation
	677F16 X Fin	Armstrong
	677F26 X Fin	Dirke RHR
	677F27 X Fin	Dirke LHR
	677F28 X Fin	Princeton
	698F31 X Fin	Tuscany
	698F32 X Fin	Merlot
	698F64 X Fin	Frascati RHR
	698F66 X Fin	Frascati LHR
	698F68 X Fin	Zinfandel RHR
	698F70 X Fin	Zinfandel LHR
		Knob & Spindle SA
656F45 X Fin	Global	
	See Page 62	Muséo Levers
3	See Pages 63-64	Rim Cylinder
5	651F675	Cylinder Housing (*955, *959)
6	655F028	Screw Cylinder Mounting (2)
7	Included with Cylinder Housing	Function Selector Screw (*955, *959)
9	651F508	Screw, Tailpiece Plate (2)

Item	Part No.	Description
10		Tailpiece Assembly
	677F068	1 3/4" Door w/o Shim Kit
	655F708	2 -21/4" Door or Std. Door w/Shim Kit
	701F648	2 1/2"-3 1/2" Door
	701F658	3 1/2"-4 1/2"
11		Gear, Drive
	651F648	Lever
	677F258	Knob
12	677F085	Hub, Spring Retaining
14	677F098	Cotter Pin
15	677F078	Nut, Spindle
16		Bushing, Nylon
	677F029	Lever (All except Muséo)
	651F389	Knob
	806F069	Lever - Muséo
17		Screw Pkt., Mtg.
	652F128 x Fin	1 3/4"-2" Doors
	652F138 x Fin	2"-2 1/4" Doors
18		Torsion Springs Not Shown
	651F618	Lever, LHR (Red)
	651F628	Lever RHR (Blue)
	651F758	Knob
19	651F408	Compression Spring (Under tailpiece)
21	651F708	Bushing, Spacer
27	651F768	Groove Pin (Knob Only)



Item	Part No.	Description
1		Escutcheon Assy. 623F, 627F
	733F47 x Fin	Standard
	733F52 x Fin	Muséo
2		Lever and Spindle (non-Muséo)
	677F04 X Fin	Lustra
	677F05 X Fin	Newport
	677F13 X Fin	Essex
	677F14 X Fin	Regis
	677F15 X Fin	Citation
	677F16 X Fin	Armstrong
	677F26 X Fin	Dirke RHR
	677F27 X Fin	Dirke LHR
	677F28 X Fin	Princeton
	698F31 X Fin	Tuscany
	698F32 X Fin	Merlot
	698F64 X Fin	Frascati RHR
	698F66 X Fin	Frascati LHR
	698F68 X Fin	Zinfandel RHR
	698F70 X Fin	Zinfandel LHR
		Knob & Spindle SA
	656F45 X Fin	Global
		See Page 62
		Muséo Levers

3	See Pages 63-64	Cylinder, Rim
5	651F425	Housing, Cylinder
6	655F028	Screw, Cylinder Mounting (2)
11	651F648	Gear, Drive
12	677F085	Spring Retainer Hub
14	677F098	Cotter Pin
15	677F078	Nut, Spindle
16	677F029	Bushing Lever
17	652F128 x Fin	Screw Packet, Mtg. 1-3/4" - 2" Doors
	652F138 x Fin	2-1/4" Doors
18		Spring, Grip Return
	651F758	Knob
	651F628	Lever Return Spring RHR
	651F618	Lever Return Spring LHR
27	651F768	Groove Pin (Knob Only)

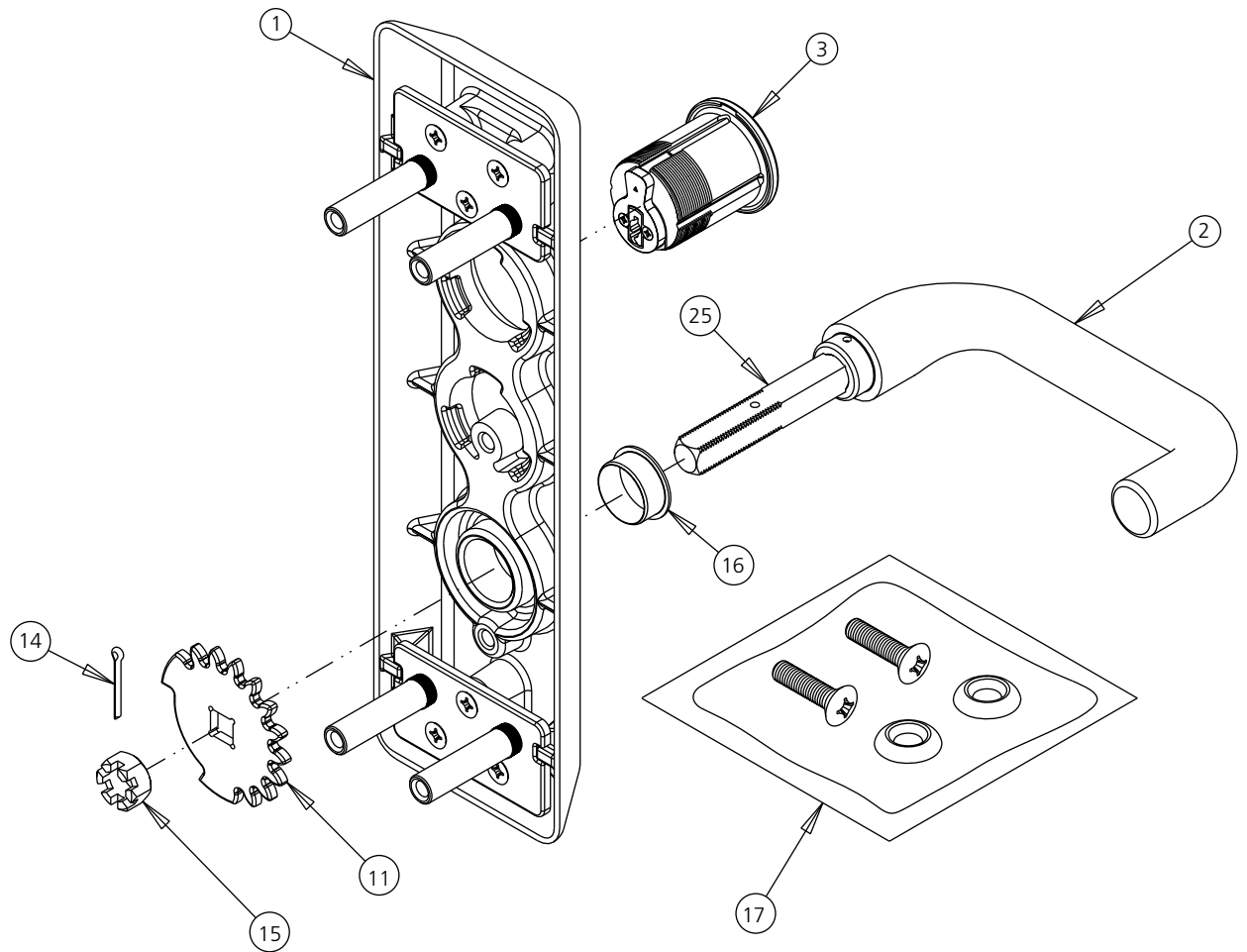


Item	Part No.	Description
1		Escutcheon Assembly
	733F45 x Fin	Cylinder x Lever or Knob
	733F43 x Fin	Blank x Lever or Knob
		Escutcheon Assembly Muséo
	733F51 x Fin	Lever & Cylinder Hole
	733F49 x Fin	Lever Hole Only
2	653F50 x Fin	Essex
	653F53 x Fin	Lustra
	653F56 x Fin	Regis
	653F59 x Fin	Citation
	653F62 x Fin	Dirke RHR
	653F65 x Fin	Dirke LHR
	653F68 x Fin	Newport
	653F71 x Fin	Armstrong
	653F74 x Fin	Princeton
	698F32 x Fin	Tuscany
	698F34 x Fin	Merlot
	698F65 x Fin	Frascati RHR
	698F67 x Fin	Frascati LHR
	698F69 x Fin	Zinfandel RHR
	698F71 x Fin	Zinfandel LHR
		See Page 62

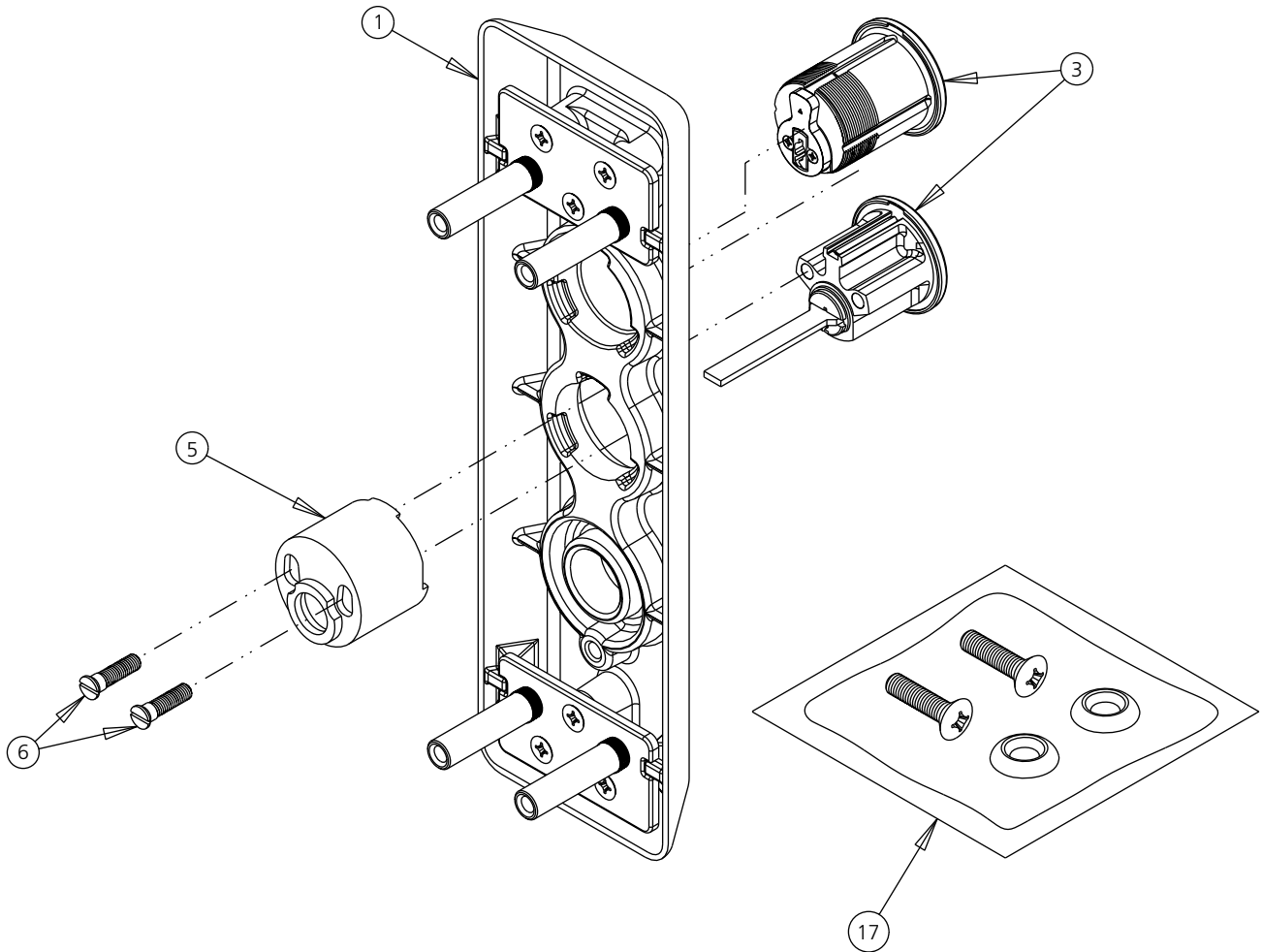
Item	Part No.	Description
3	See Pages 63-64	Cylinder, Mortise*
11	651F648	Gear
14	677F098	Cotter Pin
15	698F088	Nut, Spindle
16		Thimble Insert, Nylon
	677F029	Levers
	651F389 806F069	Knob Muséo
17		Screw Packet, Mtg. 1-3/4" - 2" Doors
	652F128 x Fin 652F138 x Fin	2-1/4" Doors Consists of the following: Screw, 1/4-20 x 1 OPHMS (2) Washer, #14 Finish (2)
25	698F108	Spindle 1-3/4" - 2-1/4"



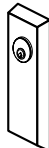
*9M10, *9M50, *9M55,
*9M57 Trim

ED4000, ED5000 Parts Manual



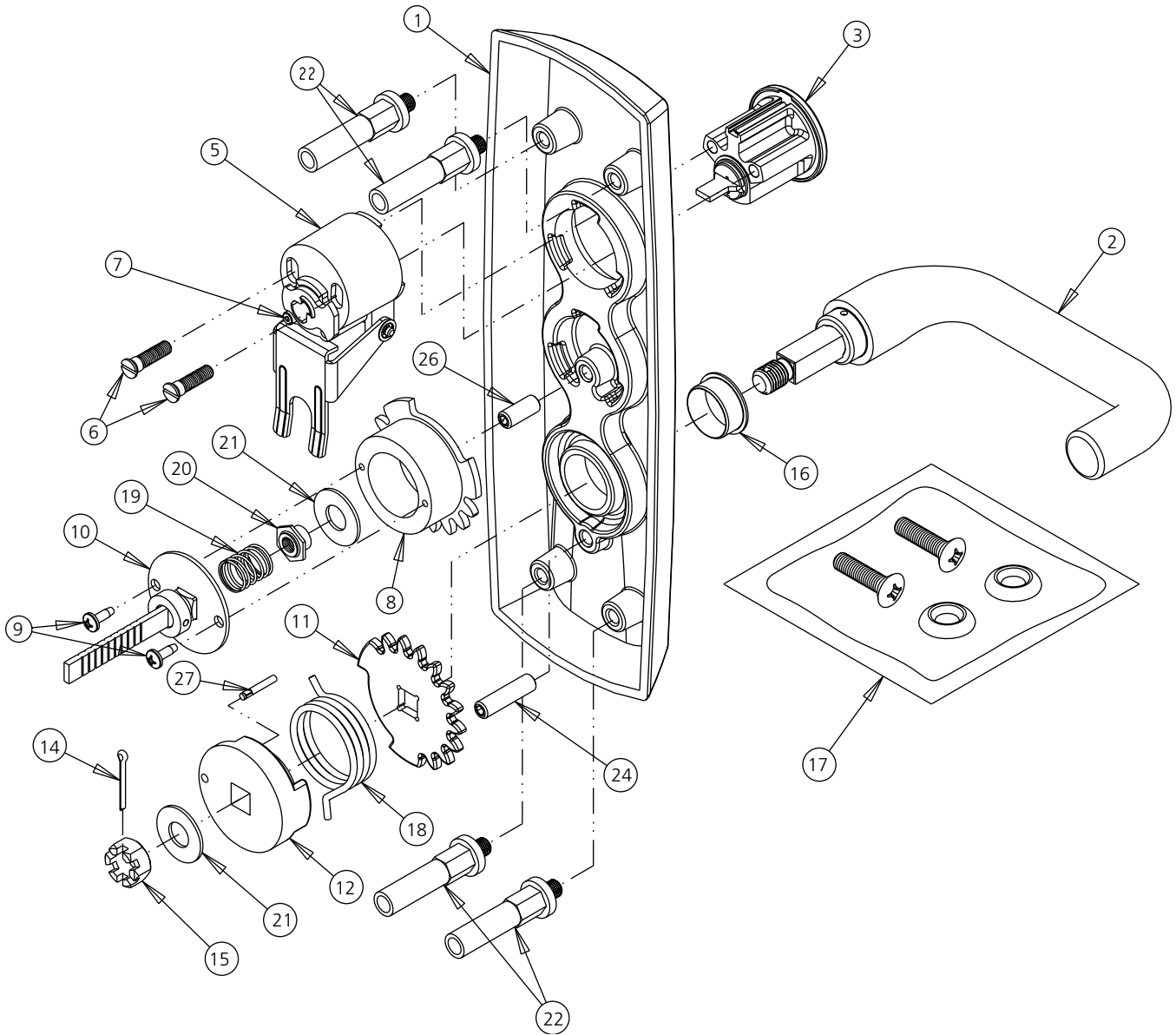
Item	Part No.	Description
1	733F41 x Fin	Escutcheon Assembly F950
	733F42 x Fin	F957
	733F46 x Fin	F9M57
3	See Pages 63-64	Cylinder, Rim or Mortise
5	651F425	Housing, Cylinder F957
6	655F028	Screw, Cylinder F957 Mounting (2)
17	651F128 x Fin	Screw Packet, Mtg. 1-3/4" - 2" DOor
	651F138 x Fin	2-1/4" Door Consists of the following: Screw, 1/4-20 x 1 OPHMS (2) Washer, #14 Finish (2)



		
(EO) Blank Plate	(NL) Access by Key	(NL) Access by Key
01	03	07
F950	F957	F9M57

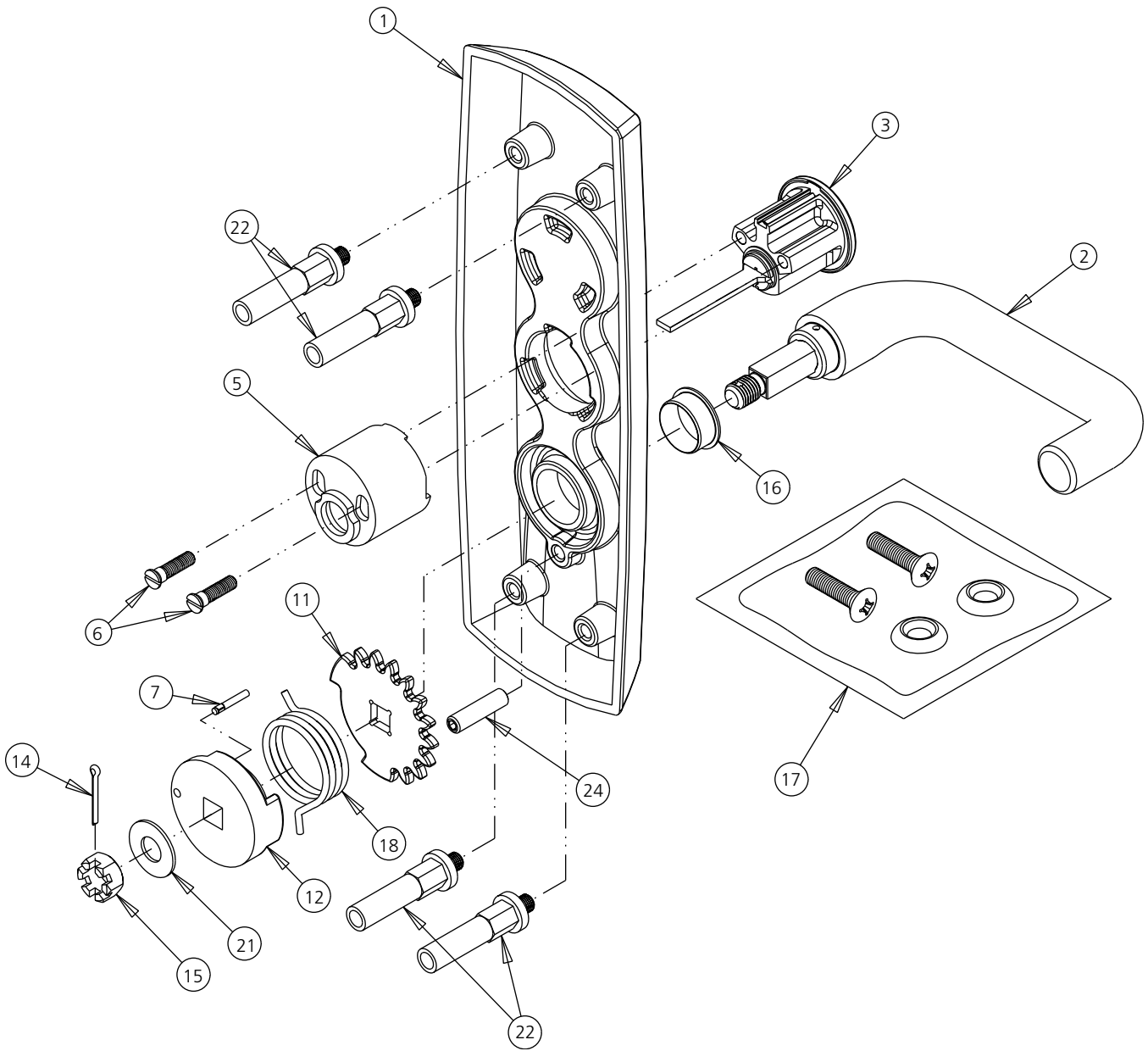
Item	Part No.	Description
1	708F26 x Fin	Parabolic Escutcheon (All other knobs/levers) *910, *950
	708F23 x Fin	*955, *959
	806F03 x Fin	Parabolic Escutcheon (Muséo Levers) *910, *950
	806F04 x Fin	*955, *959
2	677F04 X Fin	Lever and Spindle (non-Muséo) Lustra
	677F05 X Fin	Newport
	677F13 X Fin	Essex
	677F14 X Fin	Regis
	677F15 X Fin	Citation
	677F16 X Fin	Armstrong
	677F26 X Fin	Dirke RHR
	677F27 X Fin	Dirke LHR
	677F28 X Fin	Princeton
	698F31 X Fin	Tuscany
	698F32 X Fin	Merlot
	698F64 X Fin	Frascati RHR
	698F66 X Fin	Frascati LHR
	698F68 X Fin	Zinfandel RHR
	698F70 X Fin	Zinfandel LHR
656F45 X Fin	Knob & Spindle SA Global	
	See Page 62	Muséo Levers
3	See Pages 63-64	Rim Cylinder
5	651F675	Cylinder Housing (*955, *959)
6	655F028	Screw Cylinder Mounting (2)
7	Included with Cylinder Housing	Function Selector Screw (*955, *959)
9	651F508	Screw, Tailpiece Plate (2)

Item	Part No.	Description
10	677F068	Tailpiece Assembly
	655F708	1 3/4" Door w/o Shim Kit
	701F648	2 -21/4" Door or Std. Door w/Shim Kit
	701F658	2 1/2"-3 1/2" Door 3 1/2"-4 1/2"
11	651F648	Gear, Drive
	677F258	Lever Knob
12	677F085	Hub, Spring Retaining
14	677F098	Cotter Pin
15	677F078	Nut, Spindle
16	677F029	Bushing, Nylon
	651F389	Lever (All except Muséo)
	806F069	Knob Lever - Muséo
17	652F128 x Fin	Screw Pkt., Mtg. 1 3/4"-2" Doors
	652F138 x Fin	2"-2 1/4" Doors
18	651F618	Torsion Springs
	651F628	Lever, LHR (Red)
	651F758	Lever RHR (Blue) Knob
19	651F408	Compression Spring (Under tailpiece)
20	651F398	Hex Nut Bushing for Spring
21	651F708	Bushing, Spacer
22	783F048	Threaded Post (4)
24	677F128	Set Screw (1) 1/4"-20 x 1"
26	677F118	Set Screw (10 1/4"-20 x 5/8" (hex nut bushing)
27	651F768	Groove Pin (Knob Only)



Item	Part No.	Description
1	708F25 x Fin	Standard Parabolic Escutcheon
	806F05 x Fin	Muséo Parabolic Escutcheon
2		Lever and Spindle (non-Muséo)
	677F04 X Fin	Lustra
	677F05 X Fin	Newport
	677F13 X Fin	Essex
	677F14 X Fin	Regis
	677F15 X Fin	Citation
	677F16 X Fin	Armstrong
	677F26 X Fin	Dirke RHR
	677F27 X Fin	Dirke LHR
	677F28 X Fin	Princeton
	698F31 X Fin	Tuscany
	698F32 X Fin	Merlot
	698F64 X Fin	Frascati RHR
	698F66 X Fin	Frascati LHR
	698F68 X Fin	Zinfandel RHR
	698F70 X Fin	Zinfandel LHR
	656F45 X Fin	Knob & Spindle SA
	Global	
	See Page 62	Muséo Levers

3	See Pages 63-64	Cylinder, Rim
5	651F425	Housing, Cylinder
6	655F028	Screw, Cylinder Mounting (2)
11	651F648	Gear, Drive
12	677F085	Spring Retainer Hub
14	677F098	Cotter Pin
15	677F078	Nut, Spindle
16	677F029	Bushing Lever
17	652F128 x Fin	Screw Packet, Mtg. 1-3/4" - 2" Doors
	652F138 x Fin	2-1/4" Doors
18	651F758	Spring, Grip Return Knob
	651F628	Lever Return Spring RHR
	651F618	Lever Return Spring LHR
22	783F048	Threaded Post (4)
24	677F128	Set screw (1) 1/4"-2Dx1"
27	651F768	Groove Pin (Knob Only) Not Shown

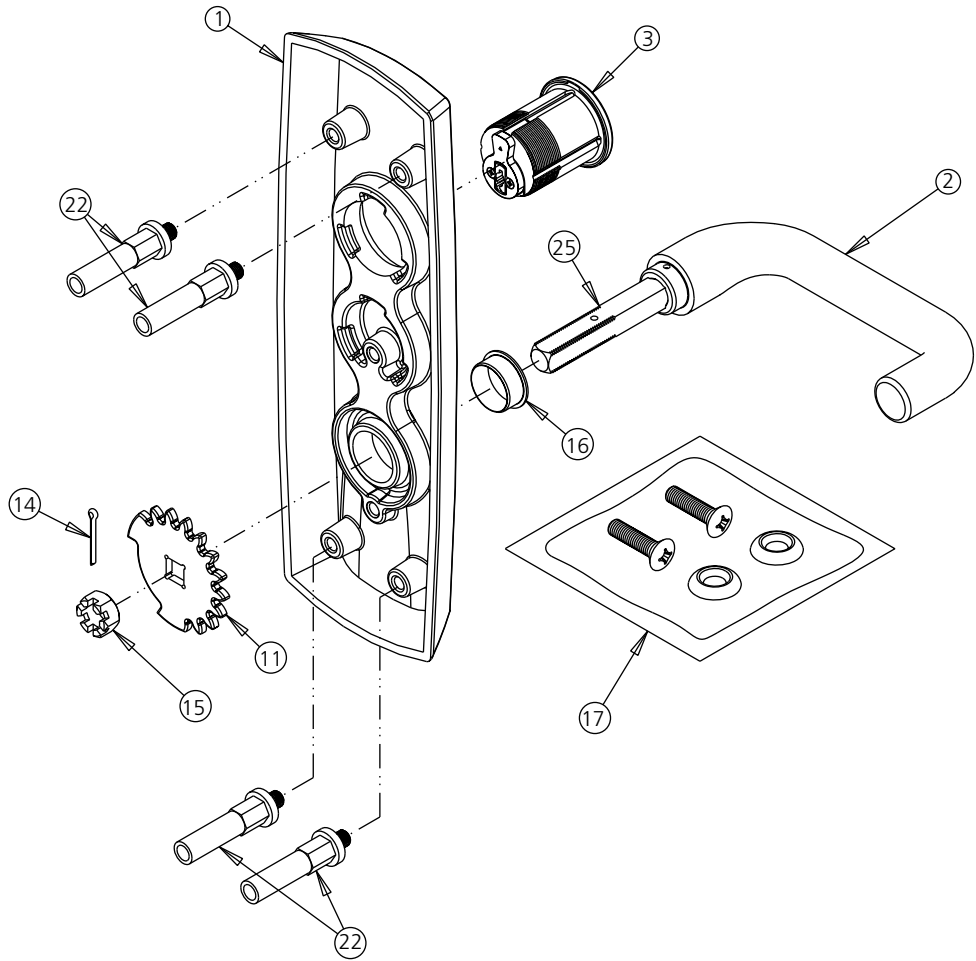


Item	Part No.	Description	
1		Parabolic Escutcheon Assembly	
	708F23 x Fin	Cylinder x Lever	
	708F26 x Fin	Blank x Lever	
		Parabolic Escutcheon Muséo	
	806F04 x Fin	Lever & Cylinder Hole	
	806F03 x Fin	Lever Hole Only	
2	653F50 x Fin	Essex	
	653F53 x Fin	Lustra	
	653F56 x Fin	Regis	
	653F59 x Fin	Citation	
	653F62 x Fin	Dirke RHR	
	653F65 x Fin	Dirke LHR	
	653F68 x Fin	Newport	
	653F71 x Fin	Armstrong	
	653F74 x Fin	Princeton	
	698F32 x Fin	Tuscany	
	698F34 x Fin	Merlot	
	698F65 x Fin	Frascati RHR	
	698F67 x Fin	Frascati LHR	
	698F69 x Fin	Zinfandel RHR	
	698F71 x Fin	Zinfandel LHR	
		See Page 62	Muséo Levers

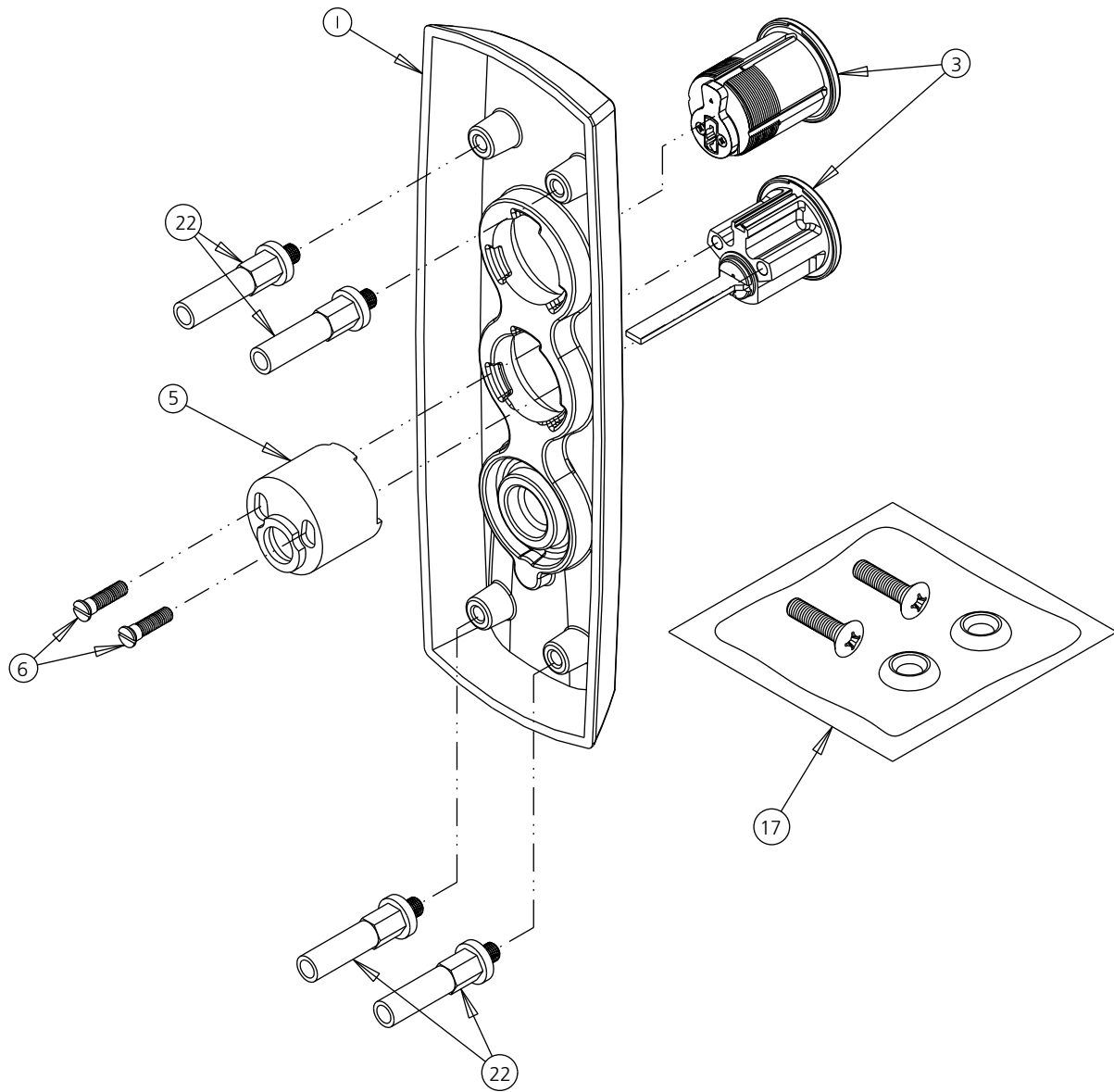
Item	Part No.	Description
3	See Pages 63-64	Cylinder, Mortise
11	651F648	Gear
14	677F098	Cotter Pin
15	698F088	Nut, Spindle
16		Thimble Insert, Nylon
	677F029	Levers
	651F389	Knob
	806F069	Muséo
17		Screw Packet, Mtg.
	652F128 x Fin	1-3/4" - 2" Doors
	652F138 x Fin	2-1/4" Doors
		Consists of the following:
		Screw, 1/4-20 x 1 OPHMS (2)
		Washer, #14 Finish (2)
22	783F048	Threaded Post (4)
25		Spindle
	698F108	1-3/4" - 2-1/4"




*9M10, *9M50, *9M55,
*9M57 Parabolic Trim

ED4000, ED5000 Parts Manual

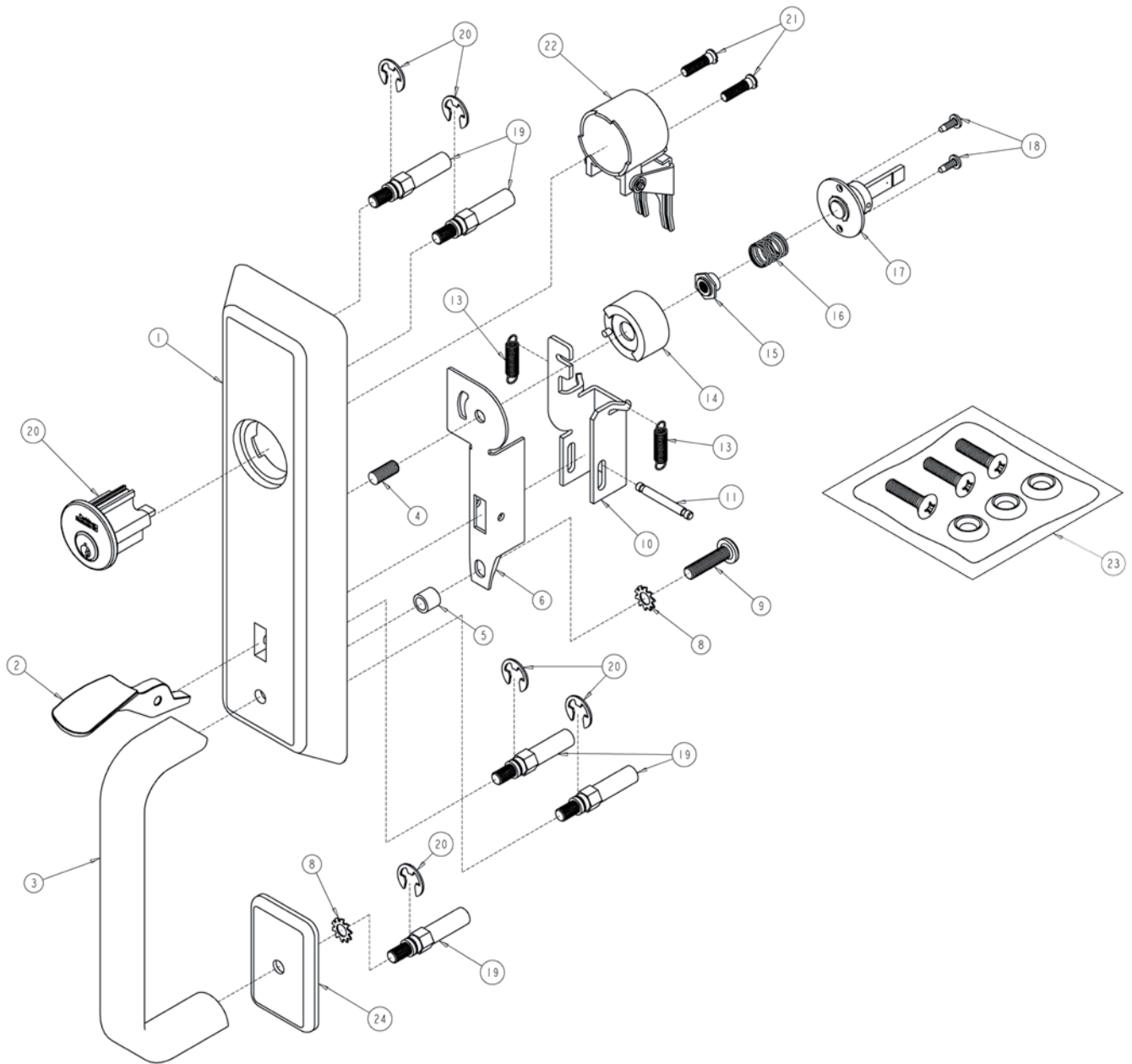


Item	Part No.	Description
1	708F20 x Fin	Parabolic Escutcheon F950
	708F24 x Fin	F957
	708F22 x Fin	F9M57
3	See Pages 63-64	Cylinder, Rim or Mortise
5	651F425	Housing, Cylinder F957
6	655F028	Screw, Cylinder F957 Mounting (2)
17	651F128 x Fin	Screw Packet, Mtg. 1-3/4" - 2" DOor
	651F138 x Fin	2-1/4" Door Consists of the following: Screw, 1/4-20 x 1 OPHMS (2) Washer, #14 Finish (2)
22	783F048	Threaded Post (4)

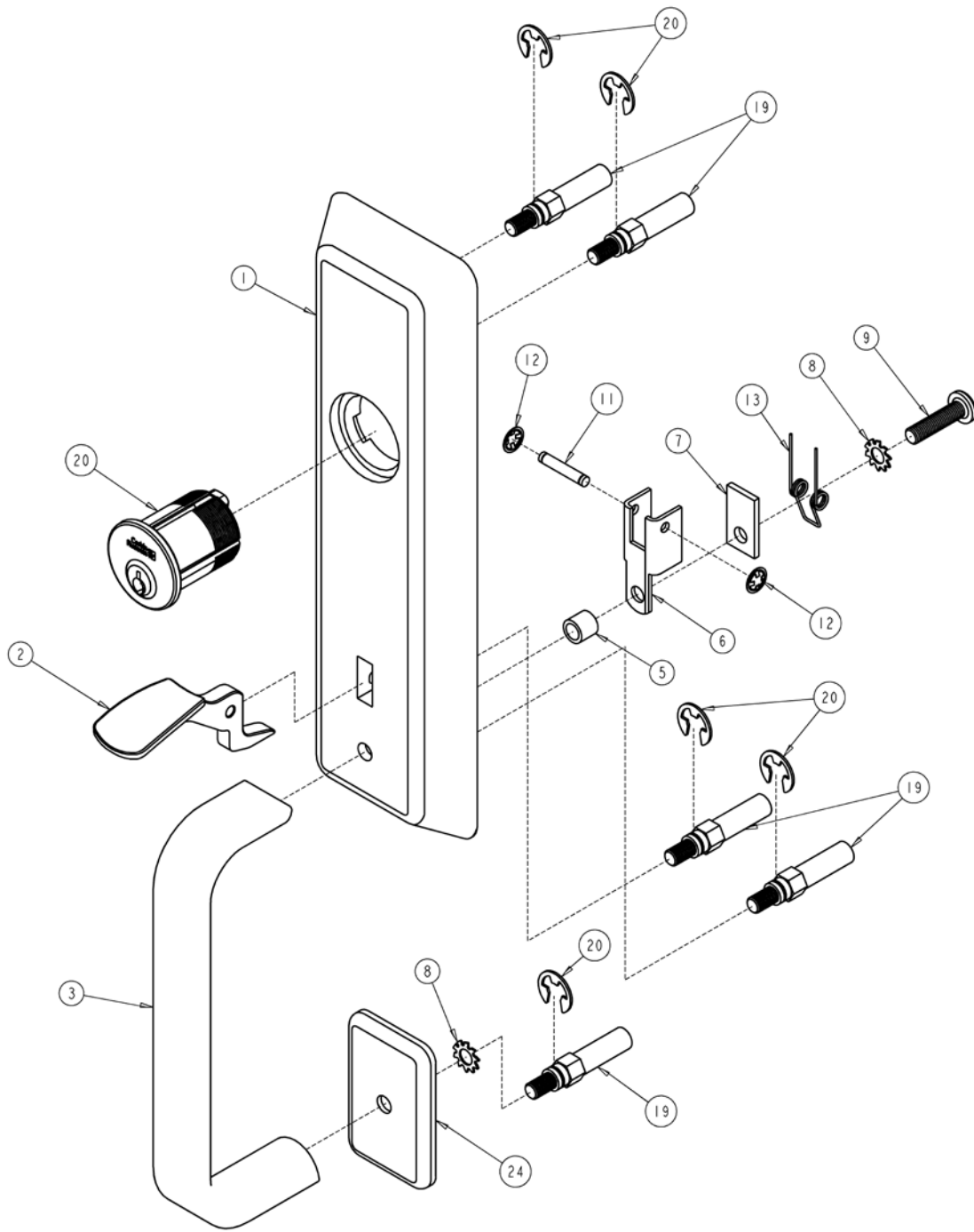


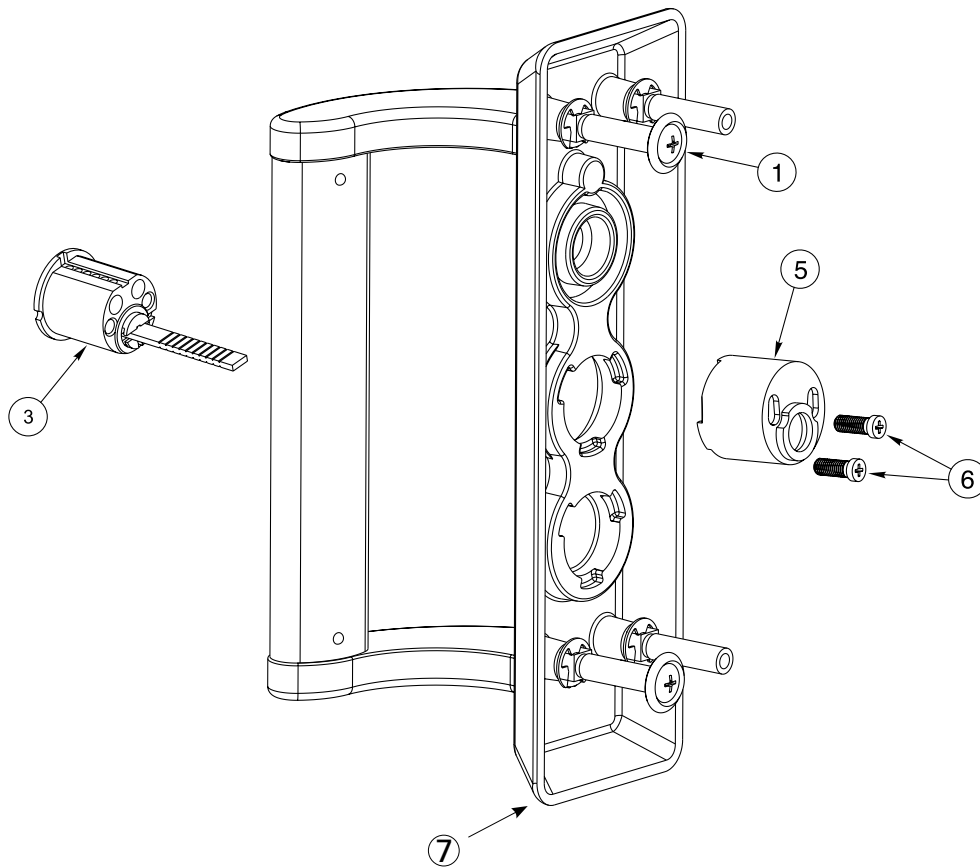
		
(EO) Blank Plate	(NL) Access by Key	(NL) Access by Key
01	03	07
F950	F957	F9M57

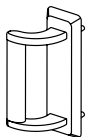
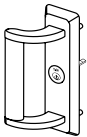
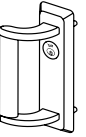
Item	Part #	Description
1	566F522 x Fin	Escutcheon - TH950
	566F532 x Fin	Escutcheon - TH910
	566F542 x Fin	Escutcheon - TH957
	566F552 x Fin	Escutcheon - TH955, TH959
2	566F50M x Fin	Thumbpiece - TH910, TH955, TH959
3	566F572 x Fin	Grip
4	677F118	Screw, Set 1/4-20 x 5/8 - TH910, TH955, TH959
5	566F588	Spacer, Grip - TH910, TH955, TH959
6	651F468	Thumbpiece Support Bracket - TH910, TH955, TH959
8	651F448	Lock Washer
9	651F418	Screw, RHM-PH #1/4-20 x 5/8" - TH950, TH957
	704F898	Screw, PHM-PH #1/4-20 x 1" - TH910, TH955, TH959
10	651F498	Thumbpiece Slider - TH910, TH955, TH959
11	651F488	Thumbpiece Pin - TH910, TH955, TH959
13	651F478	Thumbpiece Spring - TH910, TH955, TH959
14	651F545	Clutch Housing SA - TH910, TH955, TH959
15	651F398	Spring, Bushing, Comp - TH910, TH955, TH959
16	651F408	Compression Spring - TH910, TH955, TH959
17	566F598	Spindle SA - TH910, TH955, TH959
	655F698	Spindle SA - TH910, TH955, TH959
18	651F508	Screw, PHT-T-PH #6 x 3/8" - TH910, TH955, TH959
19	651F438	Threaded Post
20	386F018	Retaining Ring
21	655K03MSECFIN	Rim Cylinder Assembly - TH955, TH959 (Non X Class)
	655K04MSECFIN	Rim Cylinder Assembly - TH955, TH959 (X Class)
	684K40MSECFIN	Rim Cylinder Assembly - TH957 (Non X Class)
	684K43MSECFIN	Rim Cylinder Assembly - TH957 (X Class)
22	651F675	Cylinder Housing SA - TH955, TH959
	651F425	Nightlatch Cylinder Housing - TH957
23	652F148 x Fin	Screw Packet - 1-3/4" - 2" doors
	652F158 x Fin	Screw Packet - 2-1/4" doors
24	651F10M x Fin	Bottom Escutcheon SA



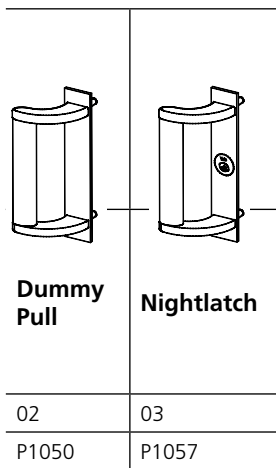
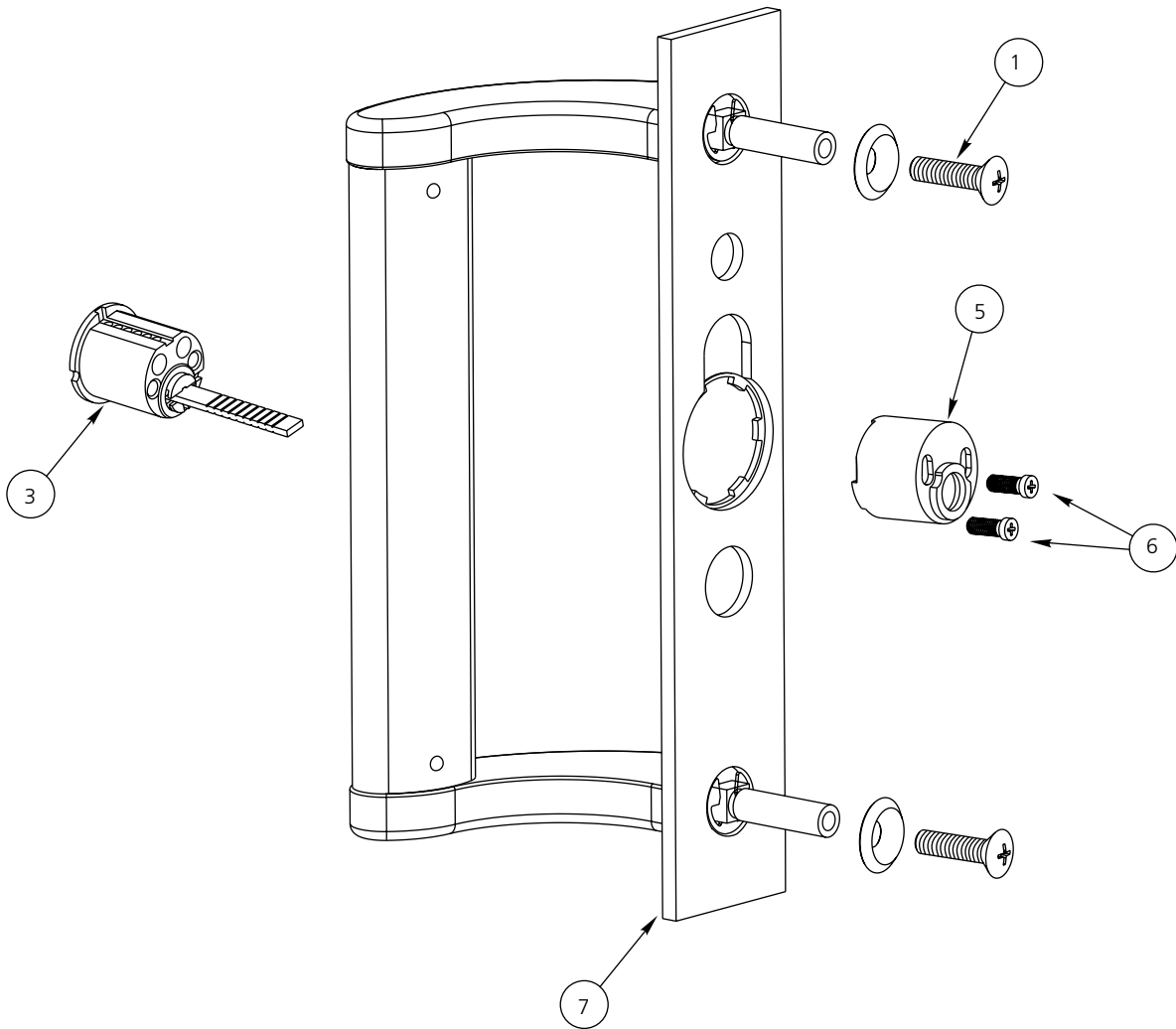
Item	Part #	Description
1	566F532 x Fin	Escutcheon - TH9M10
	566F552 x Fin	Escutcheon - TH9M55
	566F562 x Fin	Escutcheon - TH9M57
2	566F51M x Fin	Thumbpiece - TH9M10, TH9M55
3	566F572 x Fin	Grip
5	566F588	Spacer, Grip - TH9M10, TH9M55
6	651F578	Thumbpiece Support Bracket - TH9M10, TH9M55
7	651F568	Thumbpiece Tab - TH9M10, TH9M55
8	651F448	Lock Washer
9	651F418	Screw, RHM-PH #1/4-20 x 5/8" - TH9M57
	704F898	Screw, PHM-PH #1/4-20 x 1" - TH9M10, TH9M55
11	651F587	Thumbpiece Pin - TH9M10, TH9M55
12	651F608	Retaining Ring - TH9M10, TH9M55
13	651F028	Mortise Thumbpiece Spring - TH9M10, TH9M55
19	651F438	Threaded Post
21	386F018	Retaining Ring
	504K57MSECFIN	Mortise Cylinder Assembly - TH9M55, TH9M57 (Non X Class)
	594K24MSECFIN	Mortise Cylinder Assembly - TH9M55, TH9M57 (Non X Class)
23	652F148 x Fin	Screw Packet - 1-3/4" - 2" doors
	652F158 x Fin	Screw Packet - 2-1/4" doors
24	651F10M x Fin	Bottom Escutcheon SA





		
Dummy Pull	Nightlatch	Mortise Nightlatch
02	03	03
P950	P957	P9M57

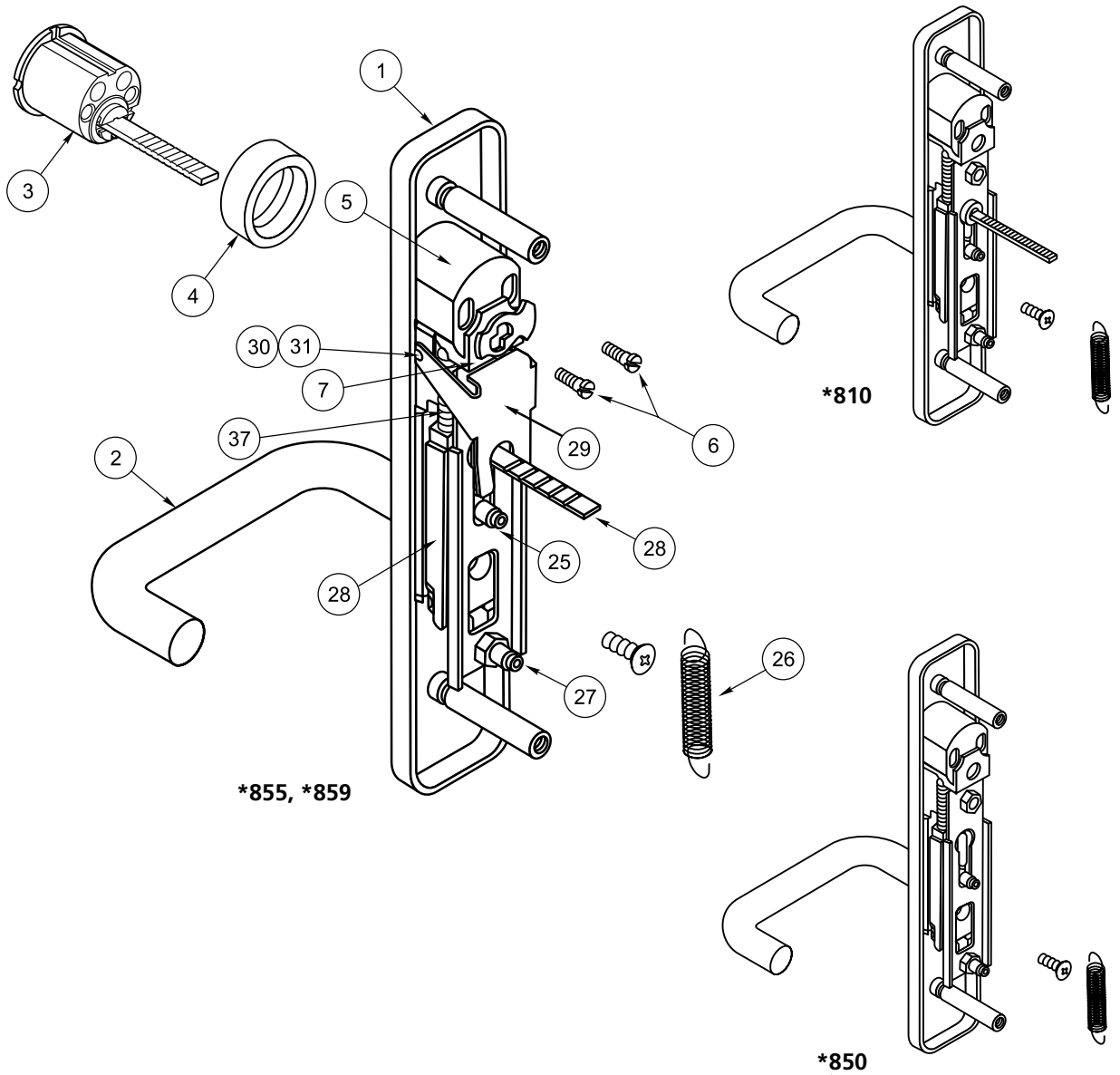
Item	Part No.	Description
1	652F12 x Fin 652F13 x Fin	Screw Packet, Mtg. 1-3/4" - 2" Door 2-1/4" Door Consists of the following: Screw 1/4-20 x 1 OPHMS(2) Washer #14 Finish (2)
3	See Pages 63-64	Cylinder, Rim or Mortise
5	651F425	Housing, Cylinder (681F)
6	655F028	Screw, Cylinder Mtg. (2)
7	711F22 x Fin 711F23 x Fin 7155F53 x Fin	Escutcheon & Pull Assembly P950 P957 P9M57

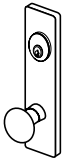

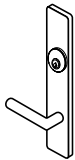
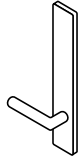
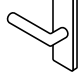
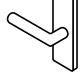


Item	Part No.	Description
1		Screw Packet, Mtg. Consists of the following:
	652F12 x Fin	Screw 1/4-20 x 1 OPHMS(2)
3	652F13 x Fin	Washer #14 Finish (2)
	See Pages 63-64	Cylinder, Rim
5	651F425	Housing, Cylinder
6	655F028	Screw, Cylinder Mtg. (2)
7	676F12 x Fin	Escutcheon & Pull Assembly (P1050)
	676F13 x Fin	Escutcheon & Pull Assembly (P1057)

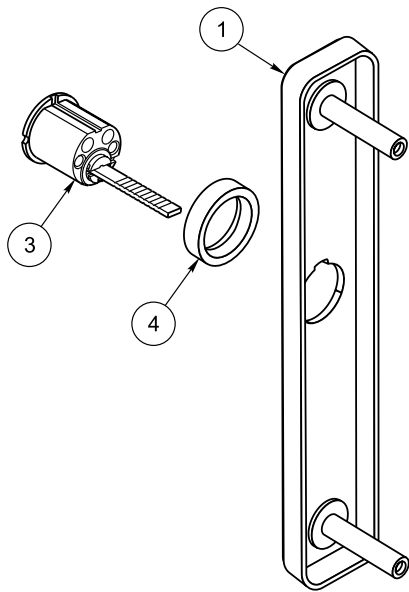
Item	Part No.	Description
1	651F02 x Fin (Std. lever)	Escutcheon Assembly *855, *859
	651F02 x Fin (Muséo Lever)	
	651F03 x Fin (Std. lever)	*810, *850
	651F03 x Fin (Muséo lever)	
2	677F04 X Fin	Lustra
	677F05 X Fin	Newport
	677F13 X Fin	Essex
	677F14 X Fin	Regis
	677F15 X Fin	Citation
	677F16 X Fin	Armstrong
	677F26 X Fin	Dirke RHR
	677F27 X Fin	Dirke LHR
	677F28 X Fin	Princeton
	698F31 X Fin	Tuscany
	698F32 X Fin	Merlot
	698F64 X Fin	Frascati RHR
	698F66 X Fin	Frascati LHR
	698F68 X Fin	Zinfandel RHR
698F70 X Fin	Zinfandel LHR	
	Knob & Spindle SA	
	Global	
	Muséo Levers See Page 62	
3	See Pages 63-64	Rim Cylinder
4	See Pages 63-64	Cylinder Collar
5	651F965	Housing & Cam Assembly *855, *859, Housing, Cyl. *810, *850
	655F665	
6	655F028	Screw, Cylinder Mounting (2)
7	656F658	Screw, NL Function
16		Thimble Insert, Nylon Not Shown
	118F299	Standard
	651F389	Knob
	806F069	Muséo
19	651F408	Spring Under Tailpiece Not Shown
25	651F858	Plate, Cover
26	651F948	Spring, Extension (Levers Only)
27	651F928	Nut, Spring Post (Levers Only)

Item	Part No.	Description
2	656F46 x Fin	Global Knob & Spindle Assembly
	652F84 x Fin	Essex
	652F87 x Fin	Lustram
	652F90 x Fin	Regis
	652F93 x Fin	Citation
	652F96 x Fin	Dirke RHR
	652F99 x Fin	Dirke LHR
	653F02 x Fin	Newport
	653F05 x Fin	Armstrong
	653F08 x Fin	Princeton
		See Page 62
28	651F828	Rack & Tailpiece Assy. Levers/Knobs *810, *855, *859 *850
	652F218	
29	651F538	Lever, Clutch
30	651F838	Pin, Clutch Lever
31	651F898	Retainer, Clutch Lever Pin (2)
32	651F888	Nut, Cover Plate (2) Not Shown
33	652F228	Cam Not Shown
34	652F239	Bushing, Nylon Not Shown
35	651F848	Washer, Grip Not Shown
36	651F878	Screw, 8-32 x 7/16, Spindle Not Shown
37	651F938	Spring, Rack (2) Lever Knob, Thumbturn
	651F868	
38	651F17 x Fin	Thimble - Std. Levers Not Shown Thimble - Muséo Levers Not Shown
	806F22 x Fin	

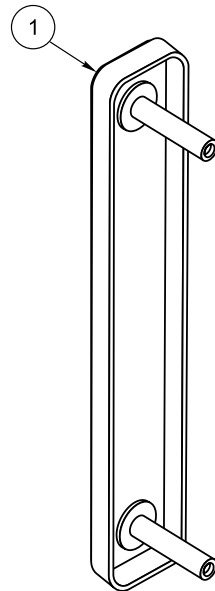


					
Cylinder Controls Knob	Passage Trim Knob	Rigid Dummy Knob	Cylinder Controls Lever	Passage Trim Lever	Rigid Dummy Lever
09	--	02	08	--	02
G855, G859	G810	G850	*855, *859	*810	*850

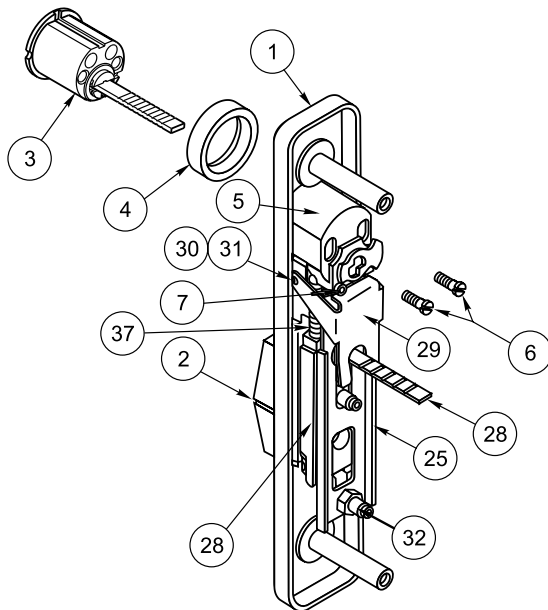
Item	Part No.	Description
1	651F00 x Fin	Escutcheon Assembly F450
	651F01 x Fin	F457
	651F02 x Fin	0855, 0859
	652F03 x Fin	0810
2	656F53 x Fin	Thumbturn / Spindle Assembly
3	See Pages 63-64	Cylinder, Rim
4	See Pages 63-64	Collar, Cylinder
5	651F965	Housing & Cam Assembly 0855, 0859
	651F425	F457, Housing, Cylinder
6	655F028	Screw, Cylinder Mounting (2)
7	656F658	Screw, NL Function
16	651F389	Thimble Insert, Nylon Not Shown
19	651F408	Spring Under Tailpiece for 0810, 0855, 0859 Not Shown
25	651F858	Plate, Cover
28	651F878	Rack & Tailpiece Assembly
29	651F538	Lever, Clutch 0855, 0859
30	651F838	Pin, Clutch Lever 0855, 0859
31	651F898	Retainer, Clutch Lever Pin (2) 0855, 0859
32	651F888	Nut, Cover Plate (2)
33	652F228	Cam Not Shown
34	652F239	Bearing, Nylon Not Shown
35	651F848	Washer, Grip Not Shown
36	651F878	Screw, 8-32 x 7/16 Spindle Not Shown
37	651F868	Spring, Rack (2)





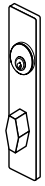

F457



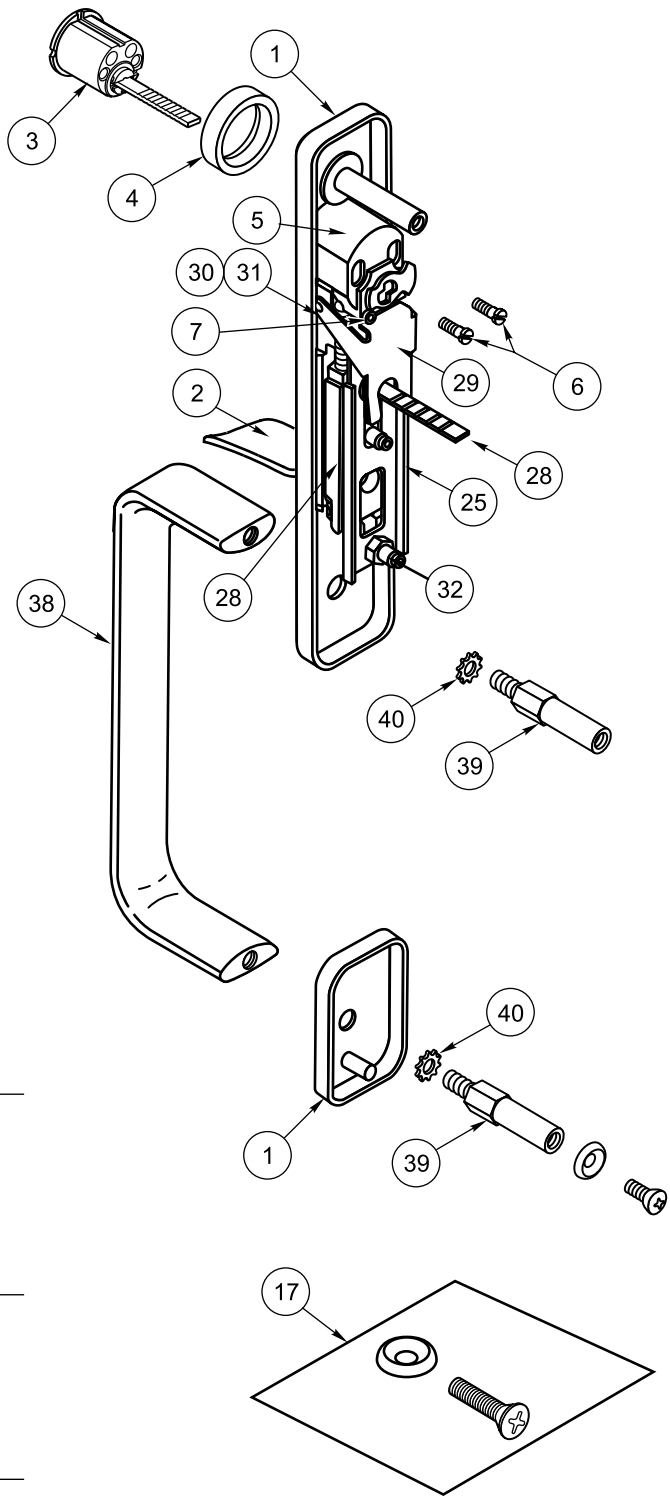
F450

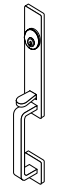
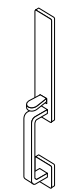


**0810, 0855,
0859**

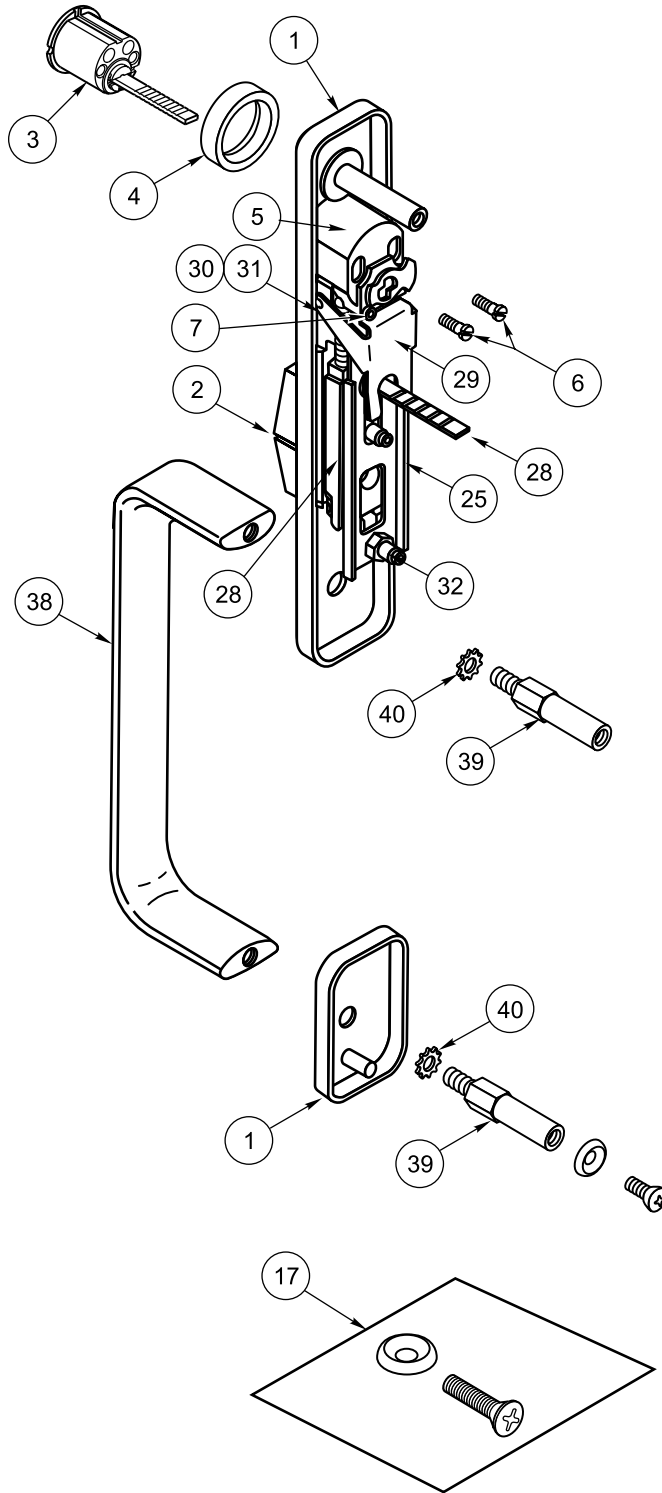
			
(EO) Blank Plate	(NL) Access by Key	Cylinder Controls Thumbturn	Passage Active Turn
--	03	11/12	--
F450	F457	0855, 0859	0810

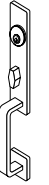
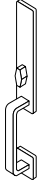
Item	Part No.	Description
1	651F09 x Fin	Escutcheon Assembly T1440 Top
	651F08 x Fin	T1455, T1459 Top
	651F10 x Fin	Bottom
2	566F50 x Fin	Thumbpiece
3	See Pages 63-64	Cylinder, Rim
4	See Pages 63-64	Collar, Cylinder
5		Housing, Cylinder, Gear
	655F675	T1410
	655F685	T1455, T1459
6	655F028	Screw, Cylinder Mounting (2)
7	656F658	Screw, NL Function
17	652F10 x Fin	1 3/4" - 2" Door Screw Packet, Mtg.
	652F11 x Fin	2-1/4" Door Screw Packet, Mtg. Consists of the following: Screw, 1/4-20 x 1 OPHMS (1) Washer, #14 Finish (1)
19		Spring Under Tailpiece T1455, T1459, T1410 Not Shown
25	651F858	Plate, Cover
28	695F608	Rack & Tailpiece Assy
29	651F538	Lever, Clutch T1455, T1459
30	651F838	Pin, Clutch Lever T1455, T1459
31	651F898	Retainer, Clutch Lever Pin (2)T1455, T1459
32	651F888	Nut, Cover Plate (2)
37	651F868	Spring, Rack (2) Not Shown
38	651F37 x Fin	Pull, Offset
39	651F438	Screw Post (2)
40	651F448	Lockwasher, Screw (2)
50	651F988	Pin, 5/32 x 1-1/8, Groove Not Shown



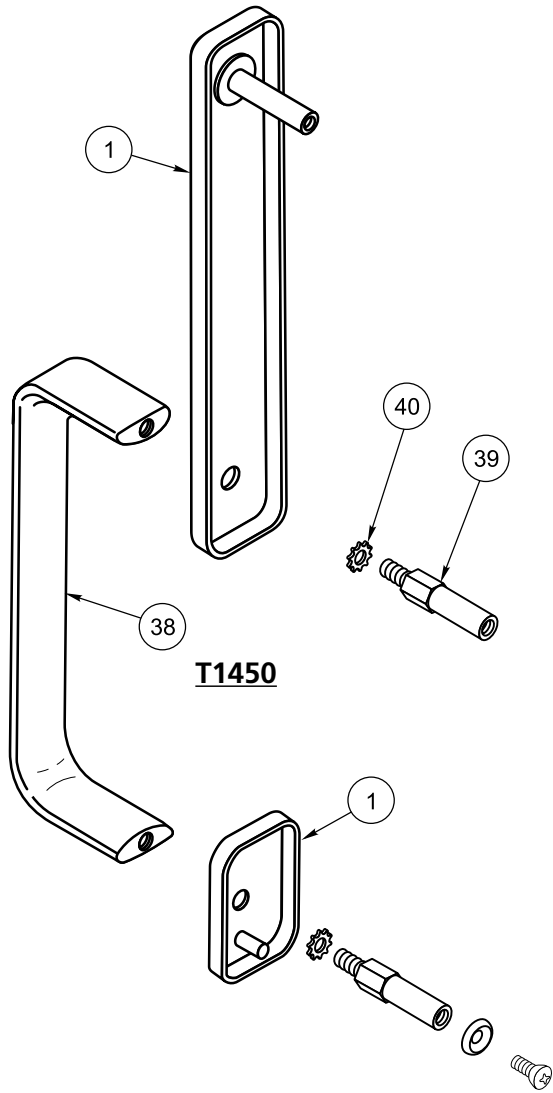
	
Cylinder Controls T-Piece	Passage Active T-Piece
05/06	--
T1455, T1459	T1410

Item	Part No.	Description
1	656F63 x Fin	Escutcheon Assembly 01455, 01459 top
	656F62 x Fin	01410 Top
	651F10 x Fin	Bottom
2	656F53 x Fin	Thumbturn/Spindle Assy.
3	See Pages 63-64	Cylinder, Rim
4	See Pages 63-64	Collar, Cylinder
5	655F685	Housing , Cylinder 01455, 01459
	655F675	01410
6	655F028	Screw, Cylinder Mounting (2)
7	656F658	Screw, NL Function
16	651F389	Thimble Insert, Nylon Not Shown
17	652F108 x Fin	Screw Packet, Mtg. 1-3/4" - 2" Door
	652F118 x Fin	2-1/4" Door Consists of the following: Screw, 1/4-20 x 1 OPHMS (1) Washer, #14 Finish (1)
19	651F408	Spring Under Tailpiece 01455, 01459 Not Shown
25	651F858	Plate, Cover
28	651F828	Rack & Tailpiece Assy
29	651F538	Lever, Clutch 01455, 01459
30	651F838	Pin, Clutch Lever 01455, 01459
31	651F898	Retainer, Clutch Lever Pin (2) 01455, 01459
32	651F888	Nut, Cover Plate (2)
33	652F228	Cam Not Shown
34	652F239	Bearing, Nylon Not Shown
35	651F848	Washer, Grip Not Shown
37	651F868	Spring, Rack (2) Not Shown
38	651F37 x Fin	Pull, Offset
39	651F438	Screw Post (2)
40	651F448	Lockwasher, Screw Post (2)
50	651F958	Pin, 5/32 x 1-1/8, Groove Not Shown

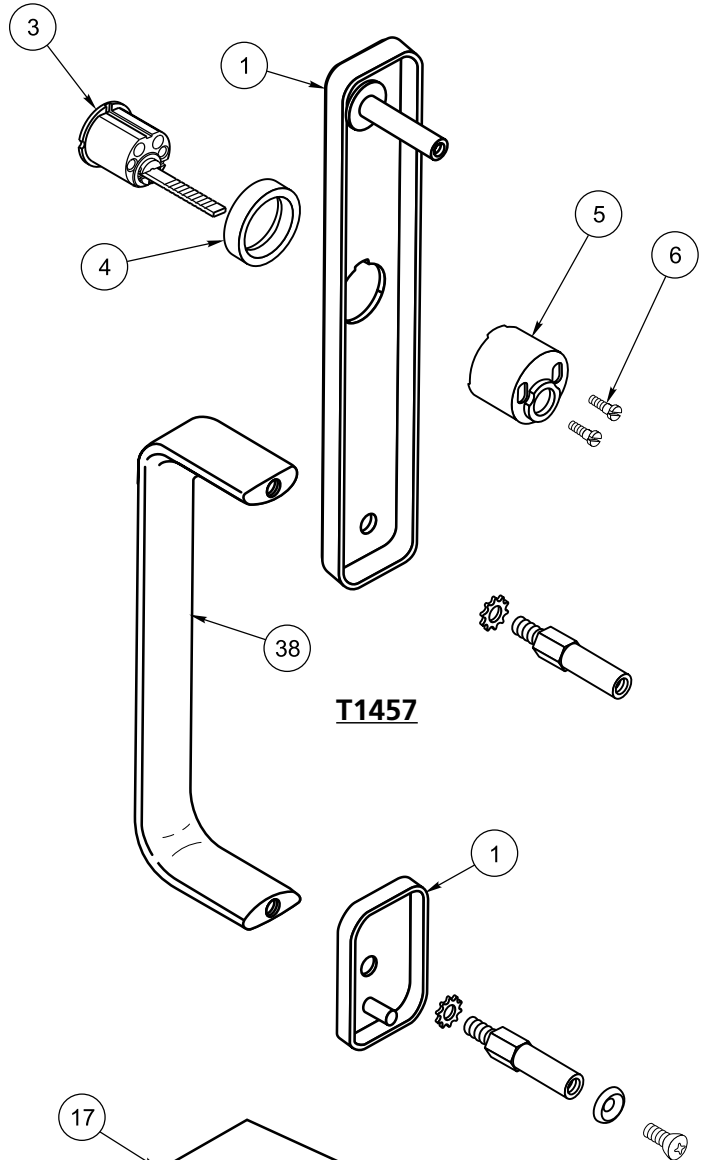


	
Cylinder Controls T-Turn	(Passage) Active T-Turn
11/12	--
01455, 01459	01410

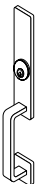

Item	Part No.	Description
1	651F04 x Fin	Escutcheon Assembly T1457 Top
	651F06 x Fin	T1450 Top
	651F10 x Fin	Bottom
3	See Pages 63-64	Cylinder, Rim
4	See Pages 63-64	Collar, Cylinder
5	651F425	Housing, Cylinder T1457
6	655F028	Screw, Cylinder Mounting (2)
17	652F108 x Fin	Screw Packet, Mtg. 1-3/4" - 2" Door
	652F118 x Fin	2-1/4" Door Consists of the following: Screw, 1/4-20 x 1 OPHMS (1) Washer, #14 Finish (1)
38	651F37 x Fin	Pull, Offset
39	651F438	Screw Post (2)
40	651F448	Lockwasher, Screw Post (2)



T1450



T1457

	
(NL) Cylinder by Pull	(DT) Pull Plate
03	02
T1457	T1450

Georgia	
Part No.	Description
800*02 x Fin	101
800*807 x Fin	102
800*12 x Fin	103
800*17 x Fin	104
801*72 x Fin	124
801*77 x Fin	125

Jackson	
Part No.	Description
800*22 x Fin	105
801*27 x Fin	119 RHR
801*32 x Fin	119 LHR
801*42 x Fin	121 RHR
801*47 x Fin	121 LHR
801*52 x Fin	122 RHR
801*57 x Fin	122 LHR
801*92 x Fin	127 RHR
801*97 x Fin	127 LHR

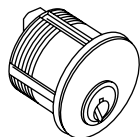
Marc	
Part No.	Description
800*52 x Fin	111 RHR
800*57 x Fin	111 LHR
800*62 x Fin	112 RHR
800*67 x Fin	112 LHR
800*72 x Fin	113 RHR
800*77 x Fin	113 LHR
800*82 x Fin	114 RHR
800*87 x Fin	114 LHR
800*92 x Fin	115 RHR
800*97 x Fin	115 LHR
801*02 x Fin	116 RHR
801*07 x Fin	116 LHR
802*12 x Fin	130 RHR
802*17 x Fin	130 LHR
800*22 x Fin	131 RHR
800*827 x Fin	131 LHR
800*32 x Fin	132 RHR
800*37 x Fin	132 LHR

Pablo	
Part No.	Description
801*12 x Fin	117
801*82 x Fin	126 RHR
801*87 x Fin	126 LHR

Salvador	
Part No.	Description
800*27 x Fin	106
800*32 x Fin	107
800*37 x Fin	108
800*42 x Fin	109
800*47 x Fin	110
801*62 x Fin	123
802*02 x Fin	128

Piet	
Part No.	Description
802*46 x 629	21G 29 29 29
803*56 x 629	21G 29 30 29
804*91 x 630	21G 30 30 30
804*96 x 630	21G 30 29 30
802*82 x 630	21L 30 BK 30
802*87 x 630	21L 30 BN 30
802*92 x 629	21L 29 BK 29
807*97 x 629	21L 29 BN 29
803*02 x 629	21M 29 30 29
803*07 x 630	21S 30 BK 30
803*12 x 629	21S 29 BK 30
803*17 x 630	21W 30 BH 30
803*22 x 629	21W 29 BH 29
803*27 x 629	23M 29 00 30
803*42 x 629	23M 29 00 29
803*47 x 630	23M 30 00 30
803*52 x 630	23M 30 00 29
803*32 x 629	25M 29 00 29
803*37 x 630	25M 30 00 30
804*877 x 629	27M 29 00 29
804*877 x 629	27M 30 00 30

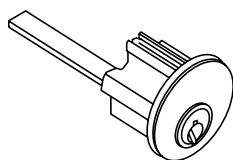
700 Series KRM* & Cylinder Dogging Mortise cylinders



Description	Part Number	Cylinder Dogging Collars	Key Removable Mullions*	
			Part Number	Cylinder Collar
6-pin	1000-118-A02	N/A	1000-118-A02	None Required
7-pin	1000-114-A02-7	270F15	1000-114-A02-7	None Required
6-pin, IC	1080-114-A02	270F15	1080-114-A02	None Required
7-pin, IC	1080-112-A02-7	654F07	1080-112-A02-7	447F42
6-pin, IC, less core	1070-114-A02	270F07	1070-114-A02	None Required
7-pin, IC, less core	1070-112-A02-7	654F07	1070-112-A02-7	447F42
6-pin, Security	1010-118-A02	N/A	1010-118-A02	None Required
6-pin, Security IC	1090-114-A02	270F15	1090-114-A02	None Required
7-pin, Pyramid Security	1027-114-A02	270F15	1027-114-A02	None Required
7-pin, Pyramid Security IC	1037-114-A02	270F15	1037-114-A02	None Required
7-pin, Pyramid High Security	1020-114-A02	270F15	1020-114-A02	None Required
7-pin, Pyramid IC High Security	1030-114-A02	270F15	1030-114-A02	None Required

*The 700 series key removable mullion was discontinued on January 1, 2010. The cylinders and cylinder rings are listed for reference only.

900 Series Trim Rim cylinders

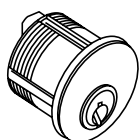


Description	Part Number	Cylinder Collar	57 Function Part Number	Cylinder Collar**
6-pin	3000-058	None Required	3000-200N*	None Required
7-pin	3000-058-7	422F88	3000-200-7	422F88
6-pin, IC	3080-058	422F88	3080-178	422F88
7-pin, IC	3080-058-7	686F98	3080-178-7	686F98
6-pin, IC, less core	3070-058	422F88	3070-178	422F88
7-pin, IC, less core	3070-058-7	686F98	3070-178-7	686F98
6-pin, Security	3010-058	None Required	3010-200	422F88
6-pin, Security IC	3090-058	422F88	3090-178	422F88
7-pin, Pyramid	3020-058	422F88	3020-200N	422F88
7-pin, Pyramid IC	3030-058	422F88	3030-178	422F88
7-pin, Pyramid Security	3027-058	422F88	3027-200N	422F88
7-pin, Pyramid Security	3037-058	422F88	3037-178	422F88

*For K157, substitute -200

**K157 uses the 270F15 cylinder ring

900 Series KRM Mortise cylinders

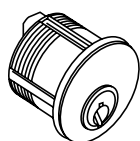


900 Series KRM
Mortise cylinders

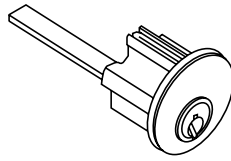
Description	Part Number	Quick Code	900 Series Cylinder Collar			WS700 Series Cylinder Collar		
			1-1/8"	1-1/4" or 1-1/4" IC	1-1/2" IC	1-1/8"	1-1/4" or 1-1/4" IC	1-1/2" IC
6-Pin	1000-118-A62	6P	610F01*	447F43*	609F37*	447F42*	610F01*	609F36*
7-Pin	1000-114-A62-7	7P						
6-Pin, IC	1080-114-A62	C6						
7-Pin, IC	1080-112-A62-7	C7						
7-pin, Pyramid High Security	1020-114-A62	PHS						
7-pin, Pyramid Security	1027-114-A62	PS						
7-pin, Pyramid High Security IC	1030-114-A62	PCHS						
7-pin, Pyramid Security IC	1037-114-A62	PCS						
Security	1010-118-A62	HS						
Security IC	1090-114-A62	CHS						
6-pin, IC, less core	1070-114-A62	CL6						
7-pin, IC, less core	1070-112-A62-7	CL7						

*Specify Finish

900 Series Mortise Trim Mortise cylinders



Description	Part Number	Cylinder Collar
6-pin	1000-112-A02	None Required
7-pin	1000-112-A02-7	None Required
6-pin, IC	1080-112-A02	None Required
7-pin, IC	1080-112-A02-7	None Required
6-pin, IC, less core	1070-112-A02	None Required
7-pin, IC, less core	1070-112-A02-7	None Required
6-pin, Security	1010-112-A02	None Required
6-pin, Security IC	1090-112-A02	None Required
7-pin, Pyramid High Security	1020-112-A02	None Required
7-pin, Pyramid IC High Security	1030-112-A02	None Required
7-pin, Pyramid Security	1027-112-A02	None Required
7-pin, Pyramid Security IC	1037-112-A02	None Required

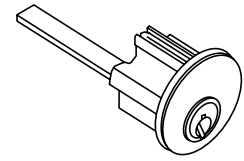


Inside Cylinder For ED5602 Double Cylinder Exit Device

Rim cylinders

ED5602 Double Cylinder Exit Device
Rim cylinders

Description	Part Number	Cylinder Collar
6-pin	3000-200	270F15
7-pin	3000-200-7	654F07
6-pin, IC	3080-178	654F07
7-pin, IC	3080-178-7	654F08
6-pin, IC, less core	3070-178	654F07
7-pin, IC, less core	3070-178-7	654F08
6-pin, Security	3010-200	654F07
6-pin, Security IC	3090-178	654F07
7-pin, Pyramid	3020-200	654F07
7-pin, Pyramid IC	3030-178	654F07
7-pin, Pyramid Security	3027-200	654F07
7-pin, Pyramid Security	3037-178	654F07

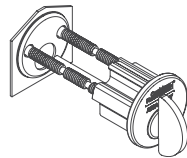


ED5202 Double Cylinder Exit Device

Rim cylinders

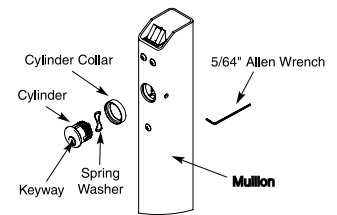
ED5202 Double Cylinder Exit Device
Rim cylinders

Description	Part Number	Cylinder Collar
6-pin	3000-138	270F15
7-pin	3000-138-7	654F07
6-pin, IC	3080-114	654F07
7-pin, IC	3080-114-7	654F08
6-pin, IC, less core	3070-114	654F07
7-pin, IC, less core	3070-114-7	654F08
6-pin, Security	3010-138	654F07
6-pin, Security IC	3090-114	654F07
7-pin, Pyramid	3020-138	654F07
7-pin, Pyramid IC	3030-114	654F07
7-pin, Pyramid Security	3027-138	654F07
7-pin, Pyramid Security	3037-114	654F07



Rim Thumbturn

Description	Part Number
Rim Thumbturn - 1-3/8"	3300 -138
Rim Thumbturn - 1-3/8" - Ergonomic	3300-138-M34
Rim Thumbturn - 2"	3300-200
Rim Thumbturn - 2" - Ergonomic	3300-200-M34



900 Series KRM Cylinder Collar Packet

Mullion Series	Cylinder Length and Type			
	1-1/8"	1-1/4"	1-1/4" IC	1-1/2" IC
WS707AKM WS708AKM	447F42*		610F01*	609F36*
907BKM 908BKM 910KM		610F01*	447F43*	609F37*

Note: Cylinder collar packets contain a collar and spring washer.
*Specify finish when ordering packets.

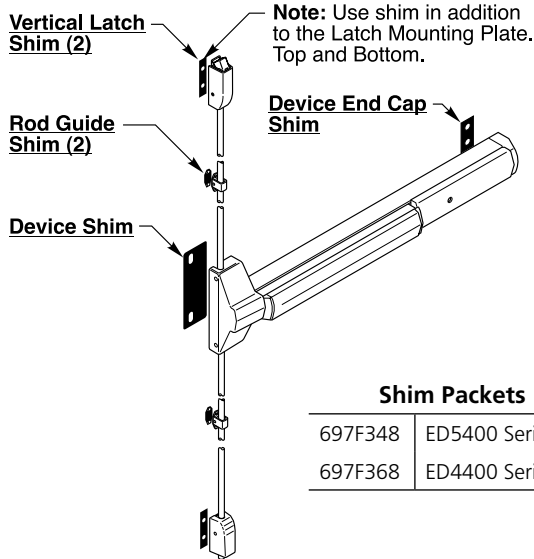
Rim Devices					
standard		optional (S02)		standard	
650F308	ED5200 (A) ED4200M (A)	655F718	ED5200 ED5200S ED4200S ED4200SM	650F318	ED4200 ED4200S 7200 Rim
730F778	ED5200S (A) ED4200SM (A)				

Rim Devices					
standard		standard		standard	
650F548	ED5400 (A) Top ED5800 (A) Top	650F878	Bracket for SVR Top Strike in Flush Transom Opening	681F778	ED5860B Top
					standard
					681F708 ED5470B
		650F578		650F888	

Mortise Devices					
standard		standard box		open back strike	
650L657020	All mortise (non-Handed)	120F768	for ANSI Prep	653L183016	for door pair when code allows use

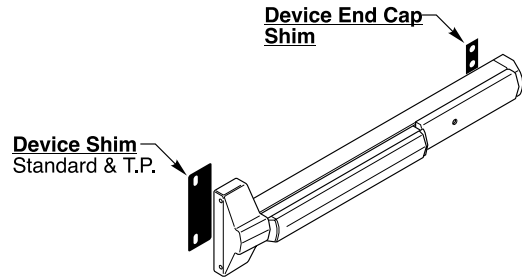
Shim Kits

**724, 724NS
For Surface Vertical Rod Exit Device**



Shim Packets	
697F348	ED5400 Series
697F368	ED4400 Series

**723, 723NS
For Rim, Mortise, and CVR Exit Device**



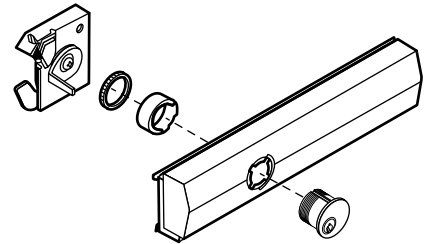
Shim Packets	
697F338	ED5200, ED5600, ED5800 Series
697F358	ED4200, ED4800 Series

Cylinder Dogging Kits

Designed to convert a panic device from hex key dogging to cylinder dogging.

Not permitted on fire-rated devices.

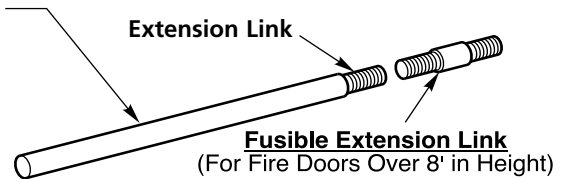
Bar Length	Part No.
36"	653F12 x Fin
36" NS	653F14 x Fin
48"	653F13 x Fin



Surface and Concealed Vertical Rod Extension Kits

Used to extend the height of standard length rods for 7110(F)(8' max), 7120, 7160(F), 7170(F), and 7210 Series exit devices.

Rod Extension Assembly	
2"	655F15 x Fin (Panic)
6"	655F16 x Fin (Panic)
12"	655F17 x Fin (Panic)
12"	655F17 x Fin (Fire rated)
24"	684F42 x Fin (Fire rated)



Retro Fit Kits

Schlage® Cam and Housing Assembly

Part Number: 720F688

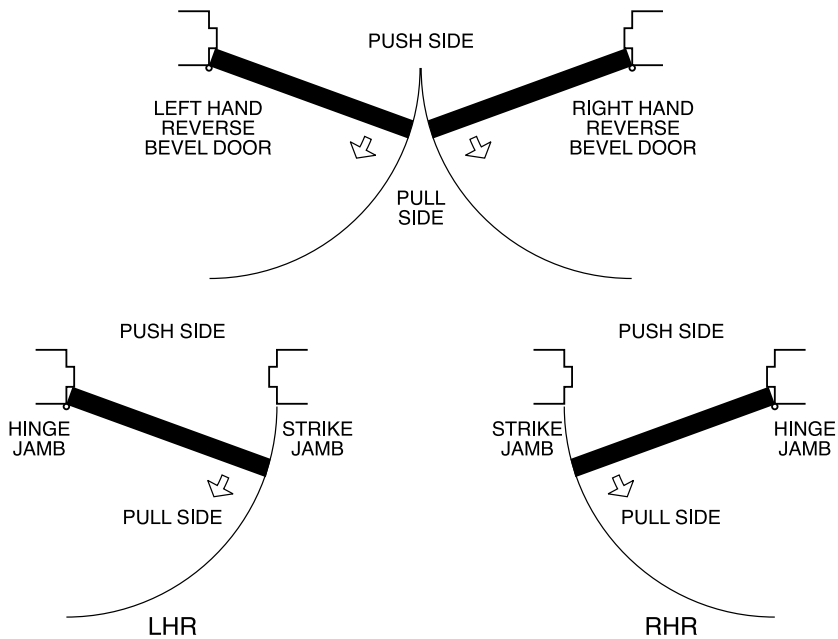


Handing

Left Hand Reverse: Hinges on left, opens outward.
For handed devices, specify LHR.

Right Hand Reverse: Hinges on right, opens outward.
For handed devices, specify RHR.

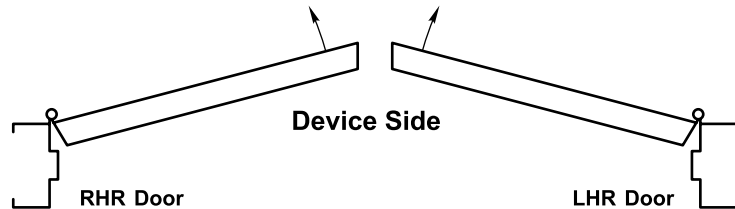
Note: Doors with Panic-Exit and Fire Exit hardware must open out. Therefore, hands must be reverse bevel.



Rim Devices

ED5200 (A), ED5200S (A), ED4200,
ED4200S, ED4200SM (A), ED4200M (A)
Series

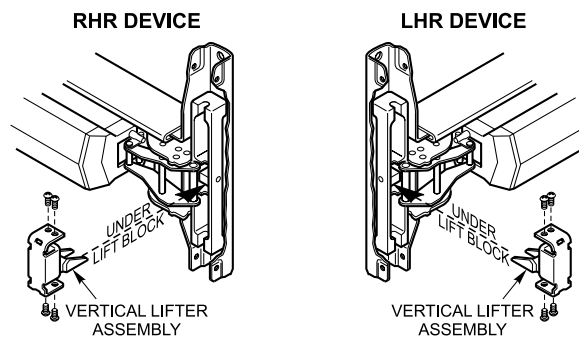
These devices are non-handed.



Vertical Rod Devices, Surface and Concealed ED5400 (A), ED5470 (B), ED5800 (A), ED5860 (B), ED4400, ED4400M (A), ED4800, ED4800M (A)

Remove four screws and vertical lifter assembly. Turn device to opposite (180 degrees) orientation, insert lifter assembly and reinstall screws.

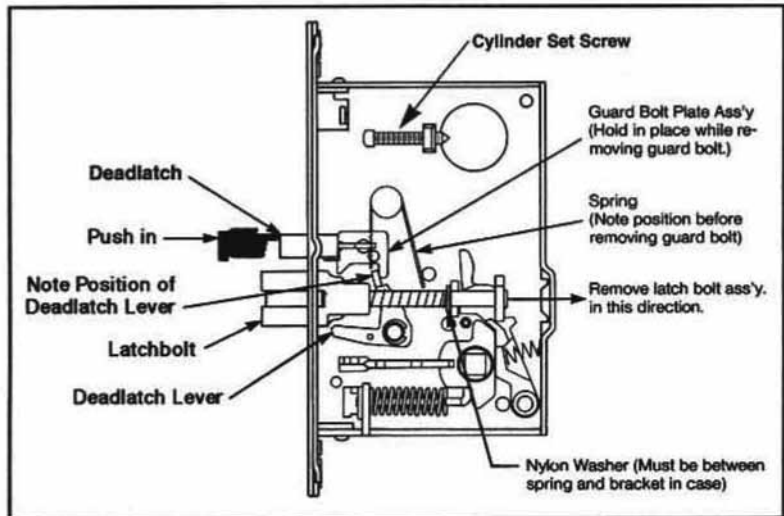
NOTE: Lifter must fit under lift block as shown.



Mortise Devices 5600(A) Series

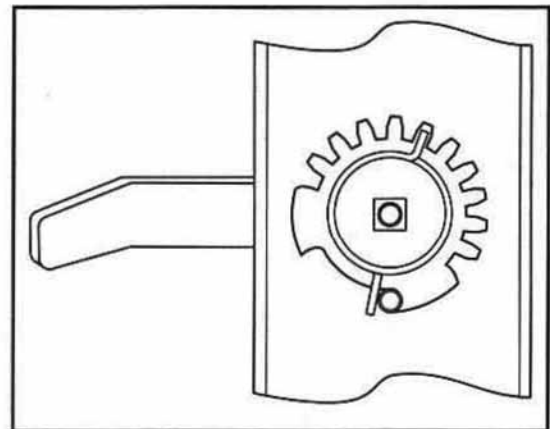
To reverse, remove latch bolt and deadlatch, flip both over and reinstall. Also flip cylinder set screw and clamp assembly.

Illustration depicts typical lockbody with cover removed. Only components relevant to lock handing are shown. Other components vary according to lock function.

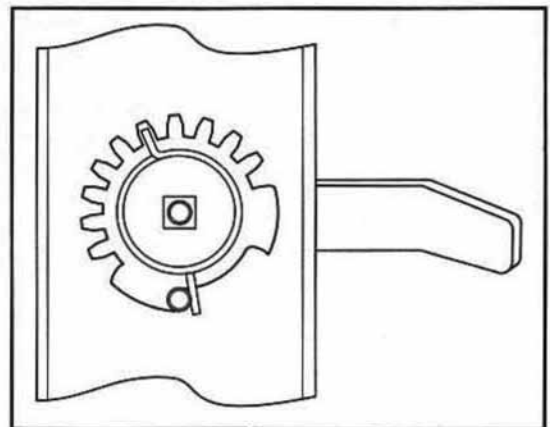


x7 Lever Handle Trim

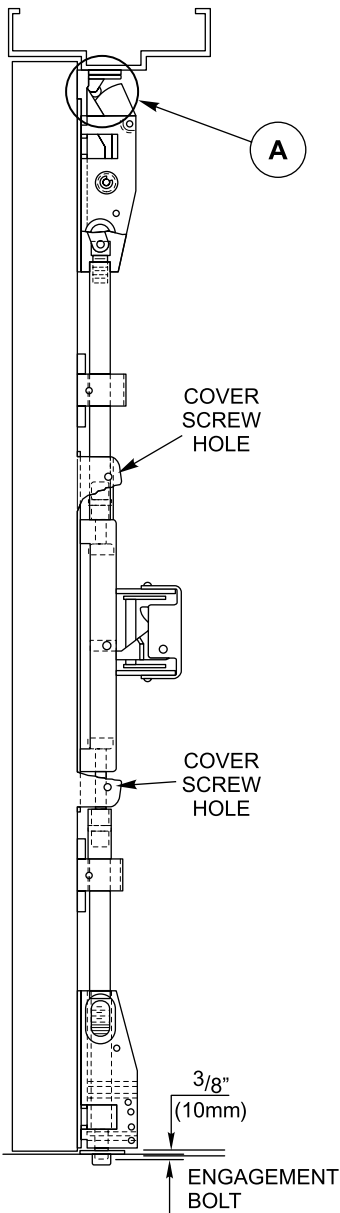
1. Remove cotter pin.
2. Remove castle nut.
3. Observe spring orientation:
LHR: Red spring (part # 651F61-8)
 Short lead is at 11 o'clock and long lead is to lever side of stump at 6 o'clock.
RHR: Blue spring (part # 651 F62-B)
 Short lead is at 11 o'clock and long lead is to lever side of stump at 6 o'clock.
4. Remove round housing, spring and spacer.
5. Note orientation of Mgap" which governs rotation in gear and remove gear.
6. Rotate lever 180°.
7. Flip gear over and reinstall, observing proper gap orientation for new direction of rotation:
LHR 6 - 8 o'clock
RHR 4 - 6 o'clock
8. Install spring of opposite hand (color). Place spring around spindle with long lead against gear and to lever side of post. Place housing (gap side toward lever) over spring and spindle until square in housing begins to slide down on spindle. While applying downward pressure on housing, wind short lead of spring toward lever until housing snaps into place.
9. Replace spacer in housing. Spring, housing and spacer should now be oriented as indicated in step 3 above. Note: Housing gap will always be to the lever side and spring will be slightly pre loaded when properly installed.
10. Be sure lever thimble is seated properly in escutcheon. Reinstall nut but do not over tighten. Lever should rotate freely.
11. Replace cotter pin.



Right-hand reverse (blue spring)



Left-hand reverse (red spring)



If top latch does not engage properly, check alignment. When locked, latch bolt should not be preloaded by strike (**Area A**). Shim or reposition strike if necessary.

Bolts extend automatically when door closes and top strike hits tripping lever. Top bolt should retract flat. Bottom bolt should travel 1/2" and engage 3/8" into strike in down position, without dragging on floor surface in up position.

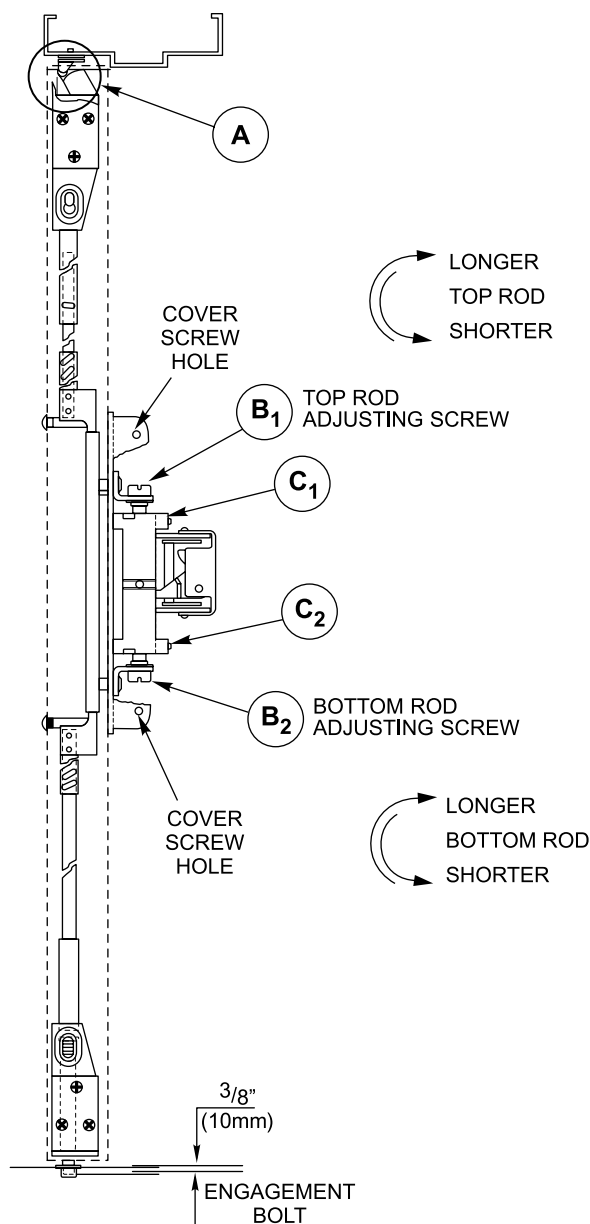
Rod Adjustment

1. Remove active case cover screws and cover.
2. Remove rod guide cover screws and rod guide covers. Tilt rods, top and bottom, out of engagement in active case and out of rod guides.
3. **Adjust top rod first.** Push up on top rod to fully retract top latch with hold back feature engaged. With device in dogged position (panic devices) or Pushpad fully depressed (fire devices), adjust top rod so that the square head of the rod connector slides into engagement in the active case. Shorten rod an additional 1/2 turn.
4. **Adjust bottom rod.** With top rod engaged, top latch retracted in hold back position, and touch bar dogged or fully depressed, adjust bottom rod so that the deadbolt clears the strike by 1/16". The bottom rod should be in position in the active case with the square head of the connector hanging in the slide.
5. **Check device operation** by opening and closing the door. When present, operate the device with the outside trim. An additional minor adjustment may be required for full retraction and correct strike engagement.
6. Reinstall the rod guide covers and the active case cover.

Maintenance

1. Periodically remove covers and coat mechanisms with an appropriate lubricant. This is regularly required in corrosive environments for proper product operation.
2. Check mounting fasteners periodically. Retighten if found loose. Apply screw locking compound or change part fasteners if screws continue to back out.
3. Periodic checks and adjustments of rods may be required to compensate for door or frame sag.

ED5400



ED5800

Rods should move freely inside door. Bolts extend automatically when door closes and top strike is tripped. Top bolt should retract flat. Bottom bolt should travel 1/2" and engage 3/8" into strike in down position, without dragging on floor surface in up position.

If top latch does not engage properly check alignment. When locked, latch bolt should not be preloaded by strike (Area A). Shim or reposition strike if necessary.

Rod Adjustment for Bolt Throw

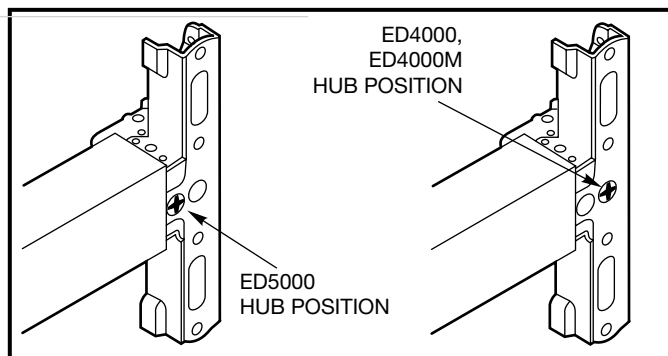
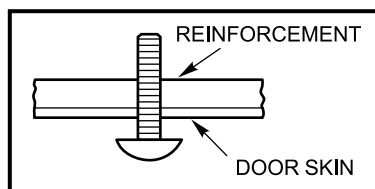
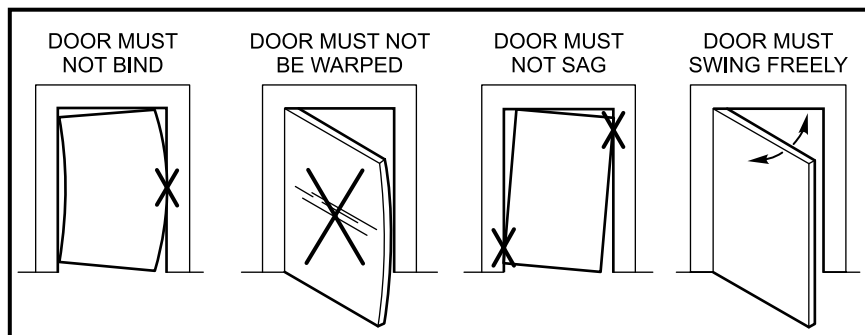
1. Remove Latch assembly cover screws and cover.
2. Use 3/32" Allen wrench to loosen set screws **C₁** and **C₂**.
3. Adjusting screws **B₁** and **B₂** only provide fine rod adjustment. If screws bottom out before proper device operation, door and device must be removed. Larger adjustments may then be made either by threading rod in or out, or by moving cotter pin to different hole in rod.
4. **Adjust top rod first.** With device in dogged position (panic devices) or Pushpad fully depressed (fire devices), adjust top rod so that the top latchbolt is flush and the hold back feature is engaged. Lengthen top rod an additional 1/2 turn.
5. **Adjust bottom rod.** With top latch retracted in hold back position, and touch bar dogged or fully depressed, adjust bottom rod so that the deadbolt clears the strike by 1/16". The bottom rod should be in position in the active case with the square head of the connector hanging in the slide.
6. **Check device operation** by opening and closing the door. When present, operate the device with the outside trim. An additional minor adjustment may be required for full retraction and correct strike engagement.
7. When finished, lock adjusting screws in place with Allen set screws.

Caution: To avoid thread damage and provide positive locking, be sure Allen set screws engage flats on adjusting screws.

Maintenance

1. Periodically remove covers and coat exposed mechanisms with an appropriate lubricant. This is regularly required in corrosive environments for proper product operation.
2. Check mounting fasteners periodically. Retighten if found loose. Apply screw locking compound or change part fasteners if screws continue to back out.
3. Periodic checks and adjustments of rods may be required to compensate for door or frame sag.

1. Many problems with the operation of exit devices are caused by factors other than the device itself. Among the most common is a misalignment or an improper fit of the door within the frame.
2. Another common source of problems is improper installation. Even if all cutouts and screw holes are properly located, exit devices must be securely fastened to properly reinforced doors. Hollow doors and frames with a structural thickness (metal skin plus reinforcement, or solid hardwood) must have at least three full screw threads to be considered reinforced.
3. Most problems with dogging occur on vertical rod devices. When the dogging function is hard to engage or will not work at all, the rods may be incorrectly adjusted allowing the mechanism to bottom out. Readjust rods per the device instructions or as outlined on the previous pages.



DIFFERENCE IN ACTIVE HEADS

ASSA ABLOY is the global leader in door opening solutions, dedicated to satisfying end-user needs for security, safety and convenience



ASSA ABLOY

In U.S.

Corbin Russwin
Architectural Hardware
225 Episcopal Road
Berlin, CT 06037
Phone: 800-543-3658
Fax: 800-447-6714
corbinruswin.com

In Canada

ASSA ABLOY Door
Security Solutions Canada
160 Four Valley Drive
Vaughan, Ontario
Canada L4K 4T9
Phone: 800-461-3007
Fax: 905-738-2478
www.assaabloy.ca

For more information regarding Corbin Russwin Locksets, Exit Devices, Door Controls and Key Systems, contact your authorized Corbin Russwin Distributor or Sales Representative.

Corbin Russwin and Design® is a registered trademark of Corbin Russwin, Inc, an ASSA ABLOY Group company. Other products' brand names may be trademarks or registered trademarks of their respective owners and are mentioned for reference purposes only. These materials are protected under US copyright laws. All contents current at time of publication. Corbin Russwin, Inc., an ASSA ABLOY Group company reserves the right to change availability of any item in this catalog, its design, construction, and/or its materials. Copyright © 2000-2016 Corbin Russwin, Inc., an ASSA ABLOY Group company. All rights reserved. Reproduction in whole or in part without the express written permission of Corbin Russwin, Inc. is prohibited.